



US00D730471S

(12) **United States Design Patent**  
**Pedersen**

(10) **Patent No.:** **US D730,471 S**

(45) **Date of Patent:** **\*\* May 26, 2015**

(54) **BROADHEAD**

(71) Applicant: **Out RAGE, LLC**, Cartersville, GA (US)

(72) Inventor: **William Edward Pedersen**, Duluth, MN (US)

(73) Assignee: **Out RAGE, LLC**, Cartersville, GA (US)

(\*\*) Term: **14 Years**

(21) Appl. No.: **29/463,515**

(22) Filed: **Dec. 18, 2013**

(51) **LOC (10) Cl.** ..... **22-01**

(52) **U.S. Cl.**  
USPC ..... **D22/107**

(58) **Field of Classification Search**  
CPC ..... F42B 6/02; F42B 6/04; F42B 6/06  
USPC ..... D22/107, 115, 199; 473/582, 578  
See application file for complete search history.

3,036,396 A 5/1962 Swails  
3,064,977 A 11/1962 Zwickey  
3,138,383 A 6/1964 McKinzie  
3,527,463 A 9/1970 Turner  
3,578,328 A 5/1971 Rickey  
3,618,948 A 11/1971 McGlocklin  
3,653,664 A 4/1972 Gentellalli  
3,672,677 A 6/1972 Moore

(Continued)

**OTHER PUBLICATIONS**

Action Closing Prosecution (nonfinal), mailed by the USPTO on May 21, 2102 in case Control No. 95/001,854 filed Dec. 14, 2011.

(Continued)

*Primary Examiner* — Michael A Pratt

(74) *Attorney, Agent, or Firm* — Covington & Burling LLP

(57) **CLAIM**

The ornamental design for a broadhead, showing my new design.

(56) **References Cited**

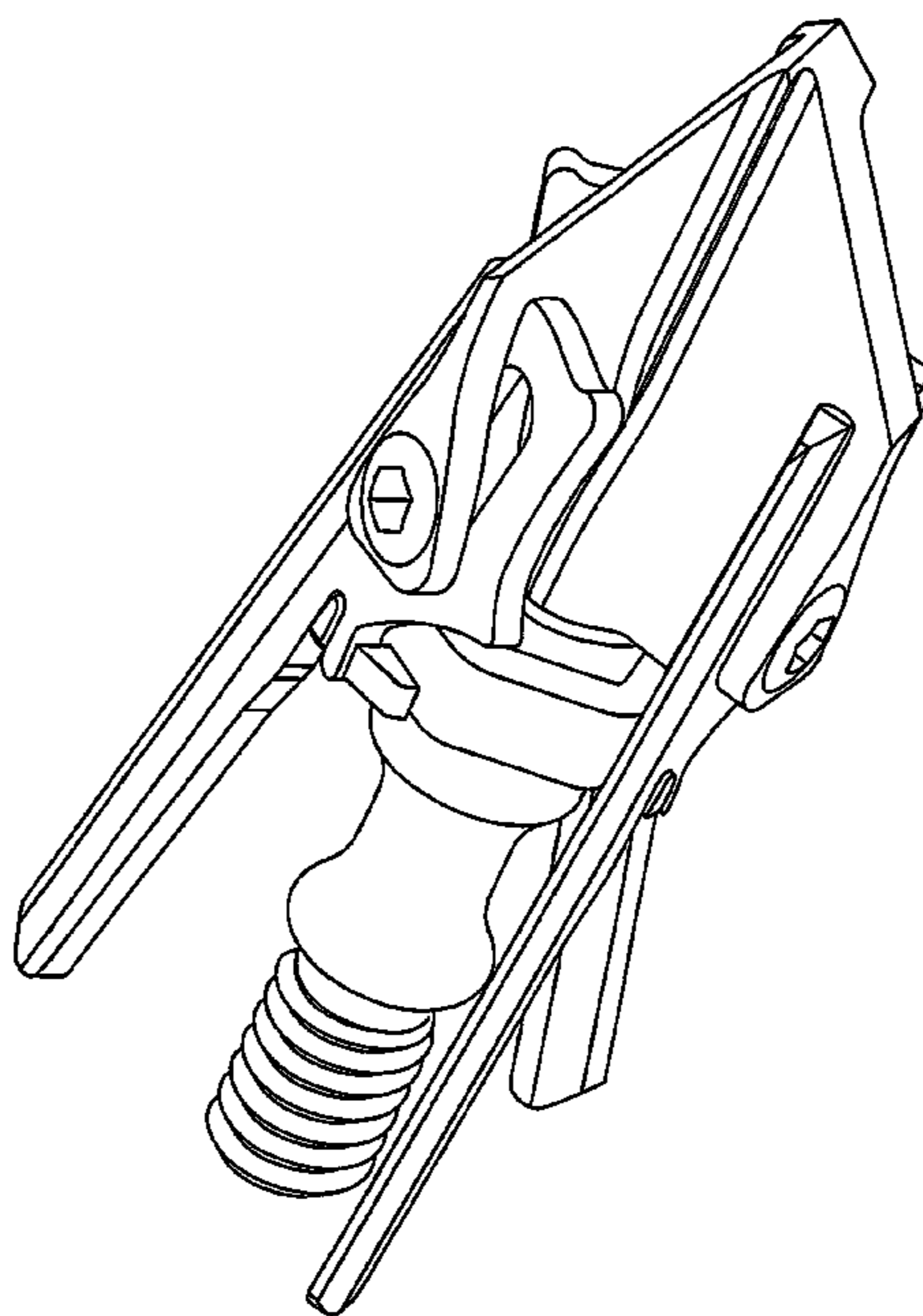
**U.S. PATENT DOCUMENTS**

2,137,014 A	11/1938	Brochu
2,212,345 A	8/1940	Krieger
2,212,346 A	8/1940	Kroon
2,289,284 A	7/1942	Chandler
2,568,417 A	9/1951	Steinbacher
2,684,852 A	7/1954	Romeka
2,686,055 A	8/1954	Peitz
2,816,765 A	12/1957	Stockfleth
2,859,970 A	11/1958	Doonan
2,925,278 A	2/1960	Sweetland
2,930,620 A	3/1960	Brooks
2,939,708 A	6/1960	Scheib
2,940,758 A	6/1960	Richter
3,000,635 A	9/1961	Nieman
3,036,395 A	5/1962	Nelson

**DESCRIPTION**

FIG. 1 is a three-quarter front view of the broadhead of the present invention in an inflight retracted position; FIG. 2 is a side view of the broadhead of FIG. 1; FIG. 3 is a top view of the broadhead of FIG. 1; FIG. 4 is a front view of the broadhead of FIG. 1; FIG. 5 is a rear view of the broadhead of FIG. 1; FIG. 6 is a three-quarter front view of the broadhead of the present invention in an extended position; FIG. 7 is a side view of the broadhead of FIG. 6; FIG. 8 is a top view of the broadhead of FIG. 6; FIG. 9 is a front view of the broadhead of FIG. 6; and, FIG. 10 is an end view of the broadhead of FIG. 6.

**1 Claim, 10 Drawing Sheets**



(56)

## References Cited

## U.S. PATENT DOCUMENTS

3,738,657 A	6/1973	Cox	5,178,398 A	1/1993	Eddy
3,741,542 A	6/1973	Karbo	5,178,399 A	1/1993	Garoutte
3,756,600 A	9/1973	Maleski	5,188,373 A	2/1993	Ferguson et al.
3,759,519 A	9/1973	Palma	D342,303 S	12/1993	Johnson
3,854,723 A	12/1974	Wilson	5,286,035 A	2/1994	Ward
3,881,730 A	5/1975	Carella	5,322,297 A	6/1994	Smith
3,893,866 A	7/1975	Hollingsworth	5,342,382 A	8/1994	Brinkerhoff et al.
3,897,062 A	7/1975	Christensen	5,372,588 A	12/1994	Farley et al.
3,910,579 A	10/1975	Sprandel	5,385,572 A	1/1995	Nobles et al.
3,915,455 A	10/1975	Savora	5,417,440 A	5/1995	Barrie et al.
3,941,059 A	3/1976	Cobb	5,439,231 A	8/1995	Roberts et al.
4,006,901 A	2/1977	Simo	D363,108 S	10/1995	Johnson
4,029,319 A	6/1977	Christen	5,458,241 A	10/1995	Brown
4,036,499 A	7/1977	Sherwin	5,458,341 A	10/1995	Forrest et al.
4,043,020 A	8/1977	Hoggard	5,472,213 A	12/1995	Dudley
4,082,292 A	4/1978	Fletchic et al.	5,482,293 A	1/1996	Lekavich
4,093,230 A	6/1978	Simo	5,482,294 A	1/1996	Sullivan et al.
4,099,720 A	7/1978	Zeren	5,496,042 A	3/1996	Craft et al.
4,141,554 A	2/1979	Sherwin	5,496,043 A	3/1996	Ester
4,146,226 A	3/1979	Sorensen	D370,246 S	5/1996	Johnson
4,166,619 A	9/1979	Bergmann et al.	5,564,713 A	10/1996	Mizek et al.
4,203,601 A	5/1980	Simo	5,624,459 A	4/1997	Kortenbach et al.
4,210,330 A	7/1980	Kosbab	5,636,845 A	6/1997	Newnam
4,234,191 A	11/1980	Erlandson	5,649,706 A	7/1997	Treat, Jr. et al.
4,254,958 A	3/1981	Bateman, III	D385,327 S	10/1997	Delmonte
4,341,391 A	7/1982	Anderson	5,803,844 A	9/1998	Anderson
4,381,866 A	5/1983	Simo	5,803,845 A	9/1998	Anderson
4,405,133 A	9/1983	Cartwright, Jr.	5,803,944 A	9/1998	Domka
4,410,184 A	10/1983	Anderson	5,820,498 A	10/1998	Maleski
4,452,460 A	6/1984	Adams	5,857,930 A	1/1999	Troncoso
4,504,063 A	3/1985	LeBus	5,871,410 A	2/1999	Simo et al.
4,505,482 A	3/1985	Martin, Sr.	5,879,252 A	3/1999	Johnson
4,529,208 A	7/1985	Simo	5,931,751 A	8/1999	Cooper
4,534,568 A	8/1985	Tone	5,941,784 A	8/1999	Mizek
4,558,868 A	12/1985	Musacchia	6,015,357 A	1/2000	Rizza
4,565,377 A	1/1986	Troncoso, Jr. et al.	6,027,421 A	2/2000	Adams, Jr.
4,576,589 A	3/1986	Kraus et al.	6,077,179 A	6/2000	Liechty, II
4,579,348 A	4/1986	Jones	6,165,086 A	12/2000	Liechty, II
4,601,710 A	7/1986	Moll	6,171,206 B1	1/2001	Liechty, II
4,615,529 A	10/1986	Vocal	6,174,252 B1	1/2001	Mizek
4,616,835 A	10/1986	Trotter	6,200,237 B1	3/2001	Barrie
4,621,817 A	11/1986	Musacchia	6,217,467 B1	4/2001	Maleski
4,643,435 A	2/1987	Musacchia	6,258,000 B1	7/2001	Liechty, II
4,671,517 A	6/1987	Winters	6,270,435 B1	8/2001	Sodaro
4,676,512 A	6/1987	Simo	6,283,880 B1	9/2001	Barrie
4,729,320 A	3/1988	Whitten, III	6,287,223 B1	9/2001	Liechty, II
4,742,637 A	5/1988	Musacchia	6,287,224 B1	9/2001	Liechty, II
4,807,889 A	2/1989	Johnson	6,290,903 B1	9/2001	Grace, Jr. et al.
4,924,619 A	5/1990	Dowell	6,306,053 B1	10/2001	Liechty, II
4,932,671 A	6/1990	Anderson, Jr.	6,319,161 B1	11/2001	Martinez et al.
4,940,246 A	7/1990	Stagg	6,322,464 B1	11/2001	Sestak
4,973,060 A	11/1990	Herzing	6,394,919 B1	5/2002	Ossege
4,976,443 A	12/1990	DeLucia	6,398,676 B1	6/2002	Mizek
4,986,550 A	1/1991	Segovia	6,428,433 B1	8/2002	Liechty, II
4,998,738 A	3/1991	Puckett	6,428,434 B1	8/2002	Liechty, II
5,033,220 A	7/1991	Phelps	6,517,454 B2	2/2003	Barrie et al.
5,044,640 A	9/1991	DelMonte et al.	6,530,853 B1	3/2003	Giannetti
5,046,744 A	9/1991	Eddy	6,540,628 B1	4/2003	Musacchia, Jr.
5,057,082 A	10/1991	Burchette, Jr.	6,554,727 B1	4/2003	Armstrong et al.
5,064,202 A	11/1991	Barner	6,558,280 B1	5/2003	Kuhn
5,066,021 A	11/1991	DeLucia	6,595,881 B1	7/2003	Grace, Jr. et al.
5,078,407 A	1/1992	Carlston et al.	6,605,012 B2	8/2003	Muller
5,082,292 A	1/1992	Puckett et al.	6,626,776 B2	9/2003	Barrie et al.
5,083,798 A	1/1992	Massey	6,663,518 B1	12/2003	Kuhn
5,090,709 A	2/1992	Johnson	6,669,586 B2	12/2003	Barrie et al.
5,093,995 A	3/1992	Jan	6,684,741 B2	2/2004	Blackston
5,100,143 A	3/1992	Puckett	6,695,726 B1	2/2004	Kuhn
5,102,147 A	4/1992	Szeluga	6,695,727 B1	2/2004	Kuhn
5,111,581 A	5/1992	Collins	6,726,581 B2	4/2004	Muller
5,112,063 A	5/1992	Puckett	6,739,991 B1	5/2004	Wardropper
D326,889 S	6/1992	Garoutte	6,743,128 B2	6/2004	Liechty, II
5,137,282 A	8/1992	Segar et al.	6,749,801 B1	6/2004	Grace, Jr. et al.
5,160,148 A	11/1992	Musacchia, Sr.	6,755,758 B2	6/2004	Liechty, II
5,165,697 A	11/1992	Lauriski et al.	6,793,596 B1	9/2004	Sullivan et al.
5,172,916 A	12/1992	Puckett	6,830,523 B1	12/2004	Kuhn
			6,910,979 B2	6/2005	Barrie et al.
			6,918,848 B2	7/2005	Kuhn
			6,935,976 B1	8/2005	Grace, Jr. et al.
			6,939,258 B2	9/2005	Muller

(56)

References Cited

U.S. PATENT DOCUMENTS

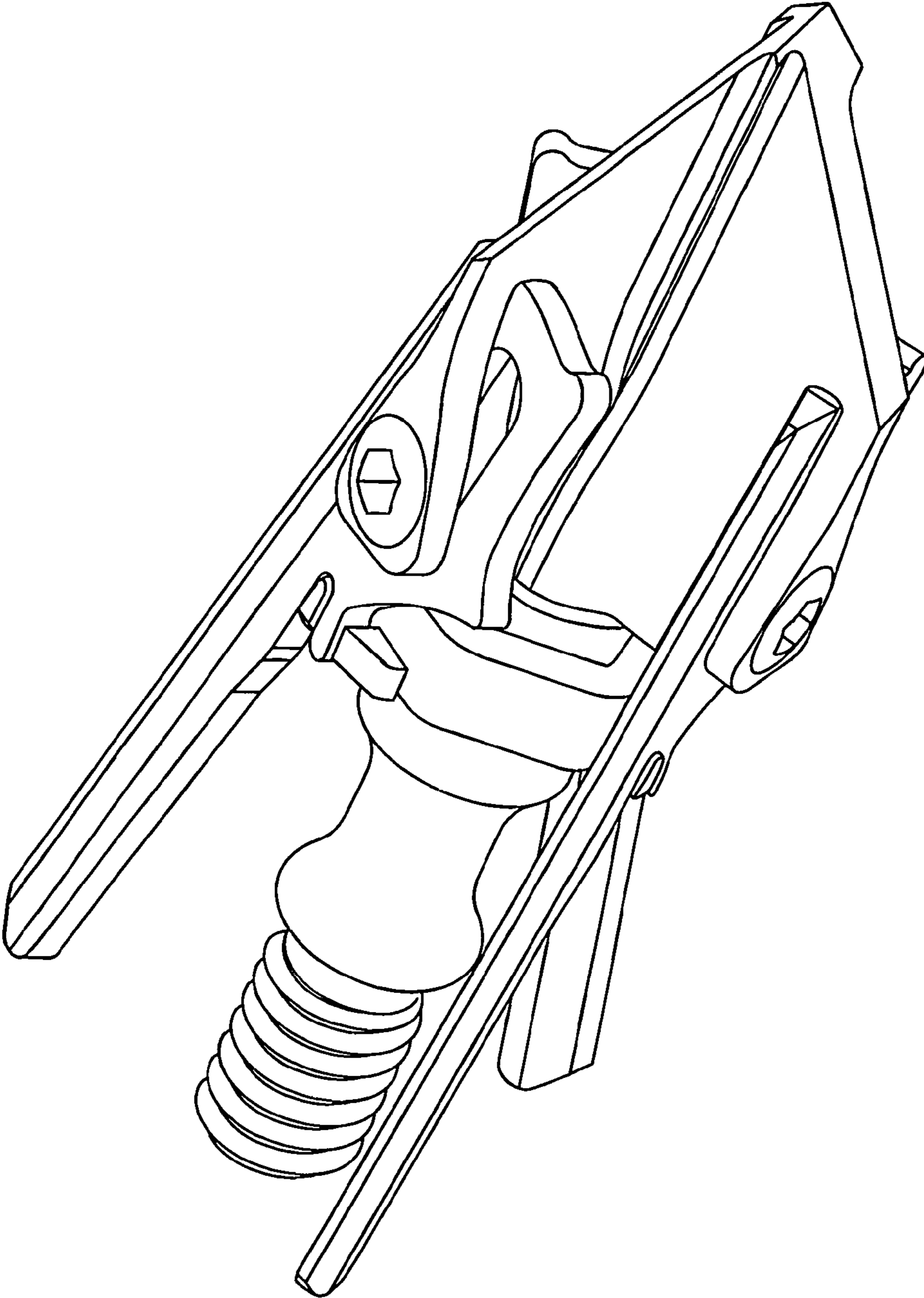
6,942,551	B2	9/2005	Mizek et al.	
6,942,588	B2	9/2005	Barrie	
6,997,827	B1	2/2006	Grace, Jr. et al.	
7,025,697	B2	4/2006	Mizek et al.	
7,037,222	B2	5/2006	Mizek et al.	
7,713,151	B2	5/2010	Fulton	
7,905,802	B2	3/2011	Erhard	
8,147,360	B2	4/2012	Simo et al.	
D663,004	S *	7/2012	Isringhausen	D22/107
D674,864	S *	1/2013	Ward	D22/115
8,398,510	B1	3/2013	Mizek et al.	
8,469,842	B2	6/2013	Mizek et al.	
8,469,843	B2	6/2013	Mizek et al.	
8,758,176	B2	6/2014	Pedersen	
D710,962	S *	8/2014	Pedersen	D22/107
D713,919	S *	9/2014	Rager	D22/107
2001/0006916	A1	7/2001	Liechty	
2001/0036876	A1	11/2001	Barrie et al.	
2002/0055404	A1 *	5/2002	Liechty, II	473/583
2002/0065155	A1	5/2002	Liechty	
2002/0098926	A1	7/2002	Liechty	
2002/0128096	A1	9/2002	Muller	
2002/0151394	A1	10/2002	Arasmith	
2003/0004021	A1 *	1/2003	Barrie et al.	473/583
2003/0022741	A1	1/2003	Muller	
2003/0073525	A1	4/2003	Liechty	
2003/0153417	A1	8/2003	Barrie et al.	
2003/0236141	A1	12/2003	Kuhn	
2004/0048704	A1	3/2004	Arasmith	
2004/0092342	A1	5/2004	Perkins	
2004/0138016	A1	7/2004	Kuhn	
2004/0142778	A1	7/2004	Mizek et al.	
2004/0198540	A1	10/2004	Mizek et al.	
2006/0052191	A1	3/2006	Mizek et al.	

OTHER PUBLICATIONS

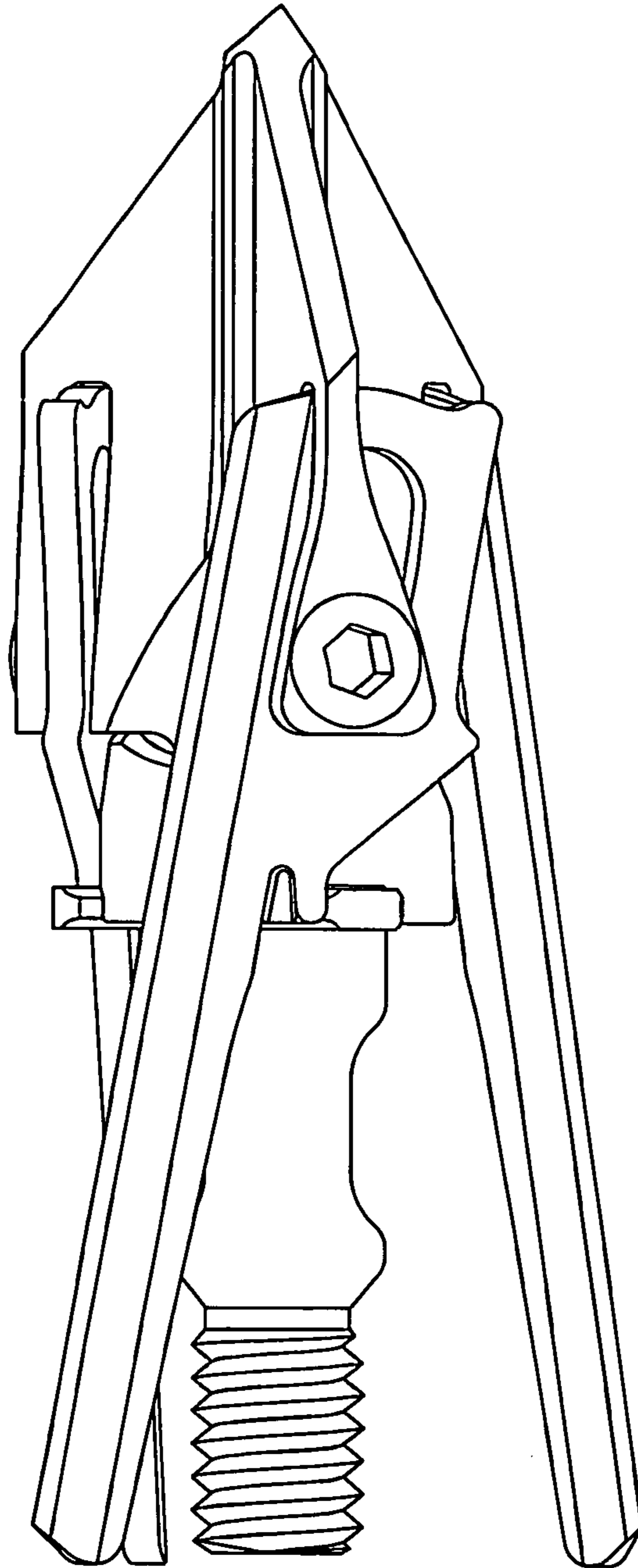
Bowhunting Equipment Buyers Guide, 1997, 3pp.  
 "Bowhunting Tactics," Petersen's Bowhunting Magazine, Oct. 18, 2004, 5 pp., www.outdoorsbest.com.  
 Bowhunting World, Feb. 1997, 2 pp.  
 Bowhunting World: Bowhunting Guide '89-'90, vol. 38, No. 7, 2 pp., 1989-1990 edition.  
 Bowhunting World: Equipment Guide '94, vol. 43, No. 5, Jul. 1994, 3 pp.  
 "Broadhead Collecting—As Easy As A.B.C.C.," Stickbow.com, Copyright 2002, 8 pp.  
 D. H. Pauley letter to R. L. Rainey regarding Reissue U.S. Appl. No. 11/823,458; letter dated Aug. 2, 2011.  
 D. H. Pauley letter to R. L. Rainey regarding Reissue U.S. Appl. No. 11/823,458; letter dated Aug. 31, 2011.

Declaration of Andy Simo to Establish date of Invention Prior to Critical date of U.S. Appl. No. 11/823,458; Declaration dated Aug. 31, 2011.  
 Declaration of Bob Mizek to Establish date of Invention Prior to Critical date of U.S. Appl. No. 11/823,458; Declaration dated Aug. 31, 2011.  
 Declaration of Chris Kozlik to Establish date of Invention Prior to Critical date of U.S. Appl. No. 11/823,458; Declaration dated Aug. 31, 2011.  
 Email from A. Simo to R. Krause, dated Sep. 14, 2011.  
 Email from A. Simo to R. Krause, dated Sep. 19, 2011, and related emails.  
 Email from Andy Simo to Rich Krause, dated Sep. 28, 2011.  
 Email from D. Pauley to G. Discher, dated Sep. 13, 2011.  
 Email from J. Fowler to D. Pauley, dated Aug. 19, 2011, and related emails.  
 Email from R. Krause to A. Simo, dated Sep. 16, 2011.  
 Email from R. Krause to A. Simo, dated Sep. 20, 2011.  
 Email from R. Krause to A. Simo, dated Sep. 28, 2011, and related email.  
 Email from rmizek@newarchery to B. Barrie, re: Amo Show; dated Jan. 30, 2001.  
 Email with two (2) attachments from A. Simo to R. Krause, dated Sep. 22, 2011.  
*Field Logic v. G5 Outdoors*, No. 06cv01724 Defendant's Prior Art Chart (12 pages), dated Jun. 27, 2007.  
 New Archery Products Corp. ("NAP"), letter from A. Simo to R. Krause regarding Patent Nos. 6,517,454, 6,626,776, and 6,910,979; letter dated Jul. 22, 2011.  
 "New Products for 1997," Rich Walton's Industry News, 9 pp., http://www.bowhunting.net/richwalton/97newproducts.html.  
 Order for Dismissal Without Prejudice, May 8, 2009.  
 Petition Under 37 C.F.R. § 1.182 and/or § 1.183, a Protest Under 37 C.F.R. § 1.291(a) with Exhibits 1-5, and Declaration of Robert Mizek Under 37 C.F.R. § 1.132, initially submitted to the USPTO on Jan. 31, 2012 by Mr. Allan A. Fanucci.  
 Plaintiff Out Rage LLC's Identification of Asserted Claims and Accused Products, dated Feb. 3, 2012.  
 R. L. Rainey letter to A. Simo, dated Aug. 1, 2011.  
 R. L. Rainey letter to D. H. Pauley, dated Aug. 17, 2011.  
 Request for Inter Partes Reexamination of United States Patent 6,626,776, filed Dec. 14, 2011.  
 Response to Office Action in Inter Partes Reexamination under 37 C.F.R. § 1.945 and M.P.E.P. § 2666, filed in the USPTO on Mar. 28, 2102 in Control No. 95/001,854 filed Dec. 14, 2011.  
 Stipulation for Dismissal Without Prejudice, May 6, 2009.  
 Third Party Requester's Comments To Patent Owner's Reply of Mar. 28, 2012 Pursuant to 37 C.F.R. § 1.947, dated Apr. 27, 2012.  
 Two photographs which are duplications of original photograph, taken of expandable broadheads of the same construction as those that were shown in the photograph provided with the email from rmizek@newarchery to B. Barrie, dated Jan. 30, 2001.

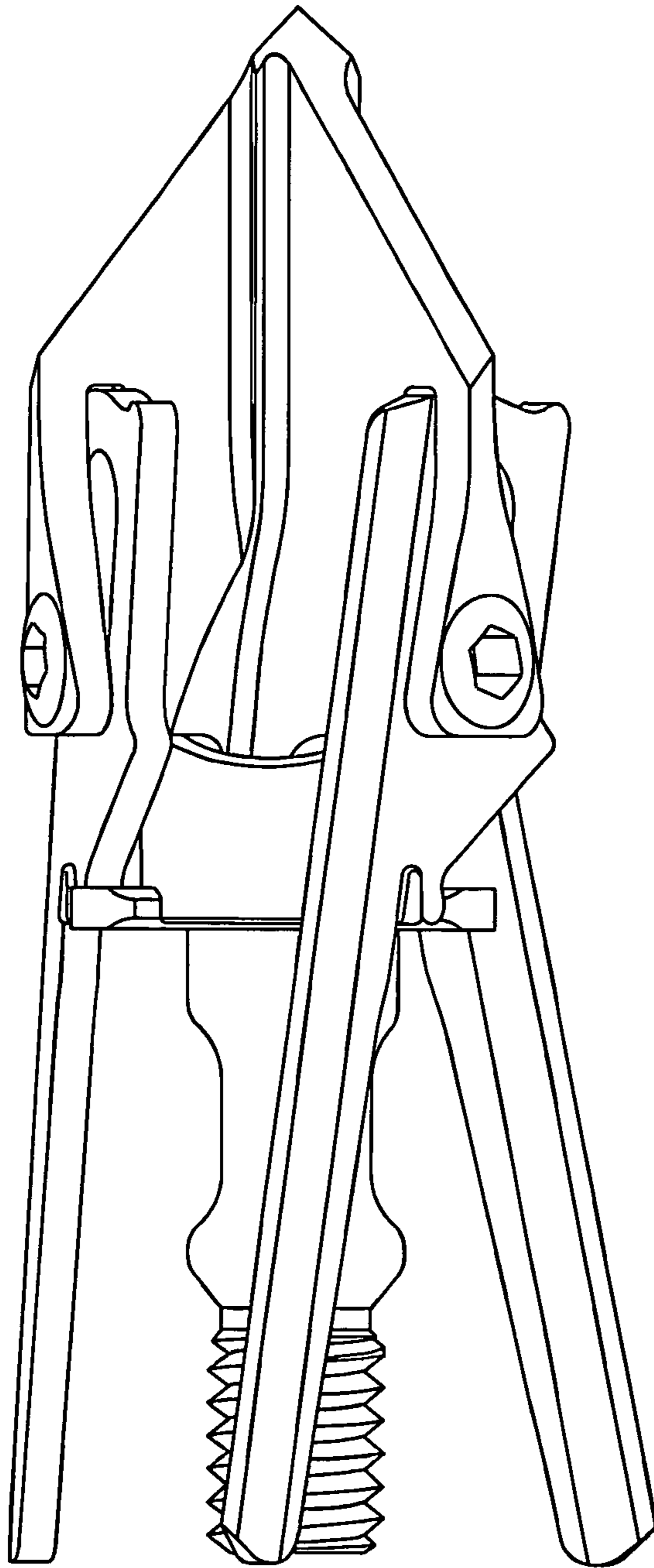
\* cited by examiner



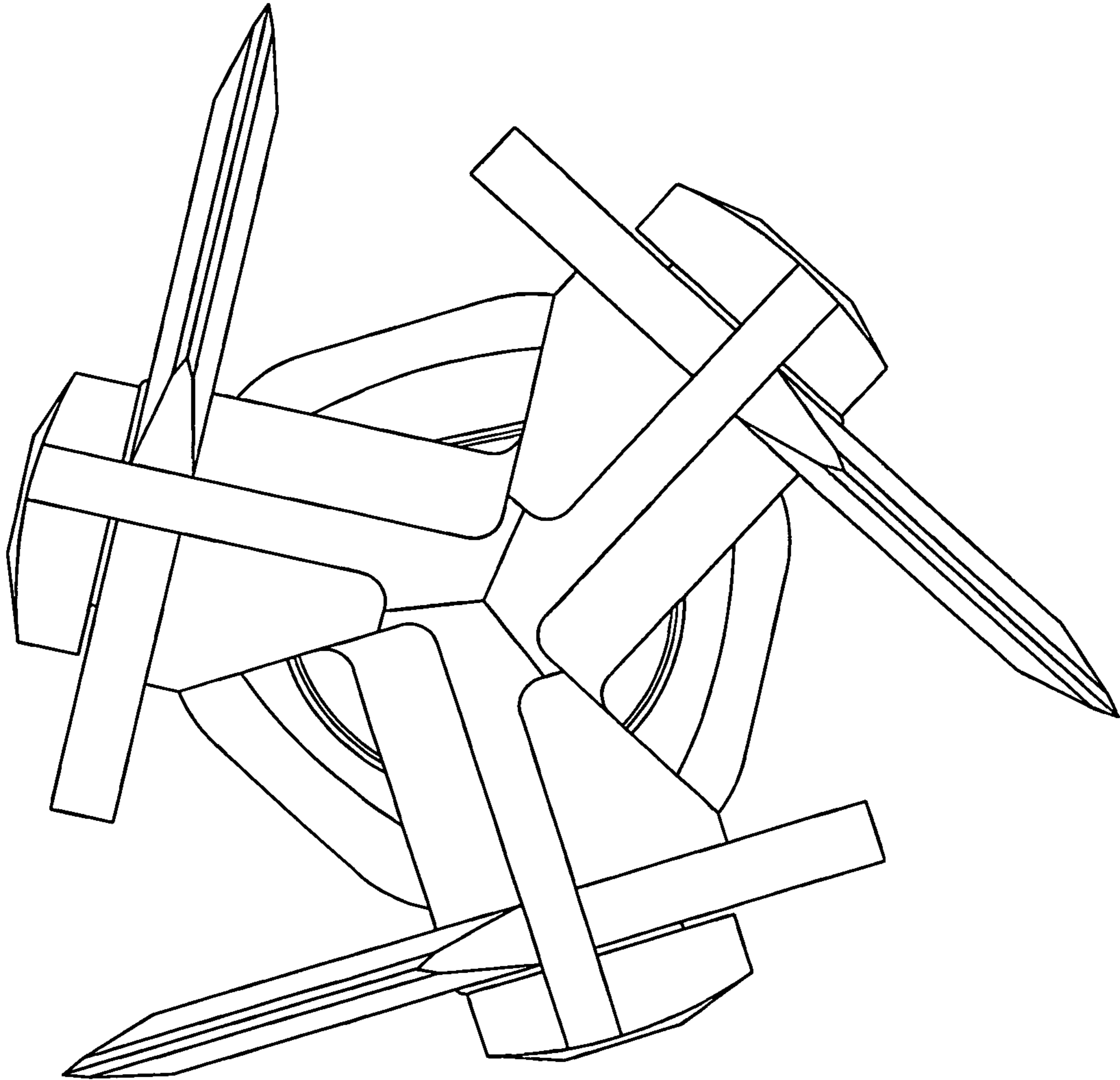
**Fig. 1**



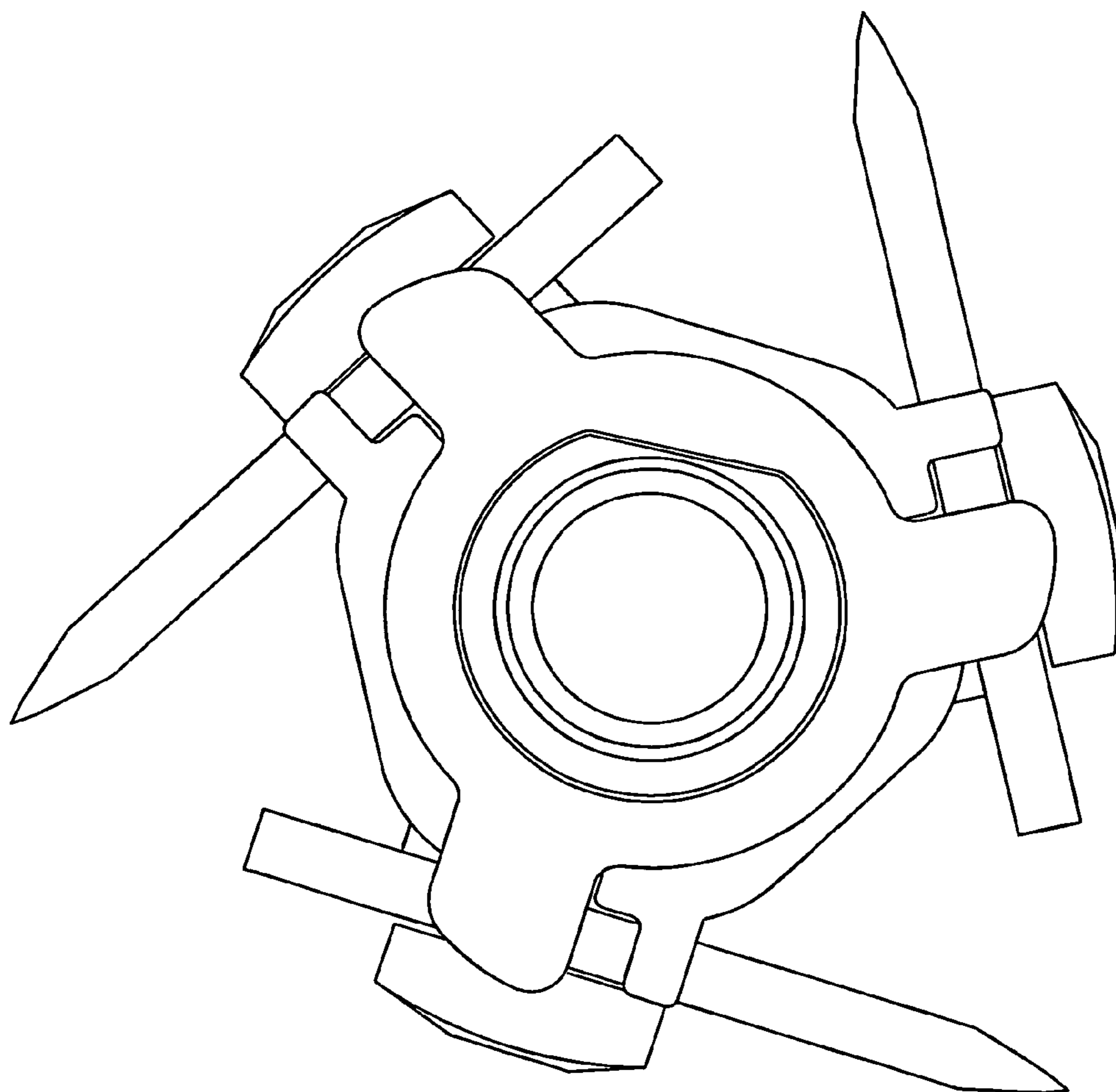
**Fig. 2**



**Fig. 3**

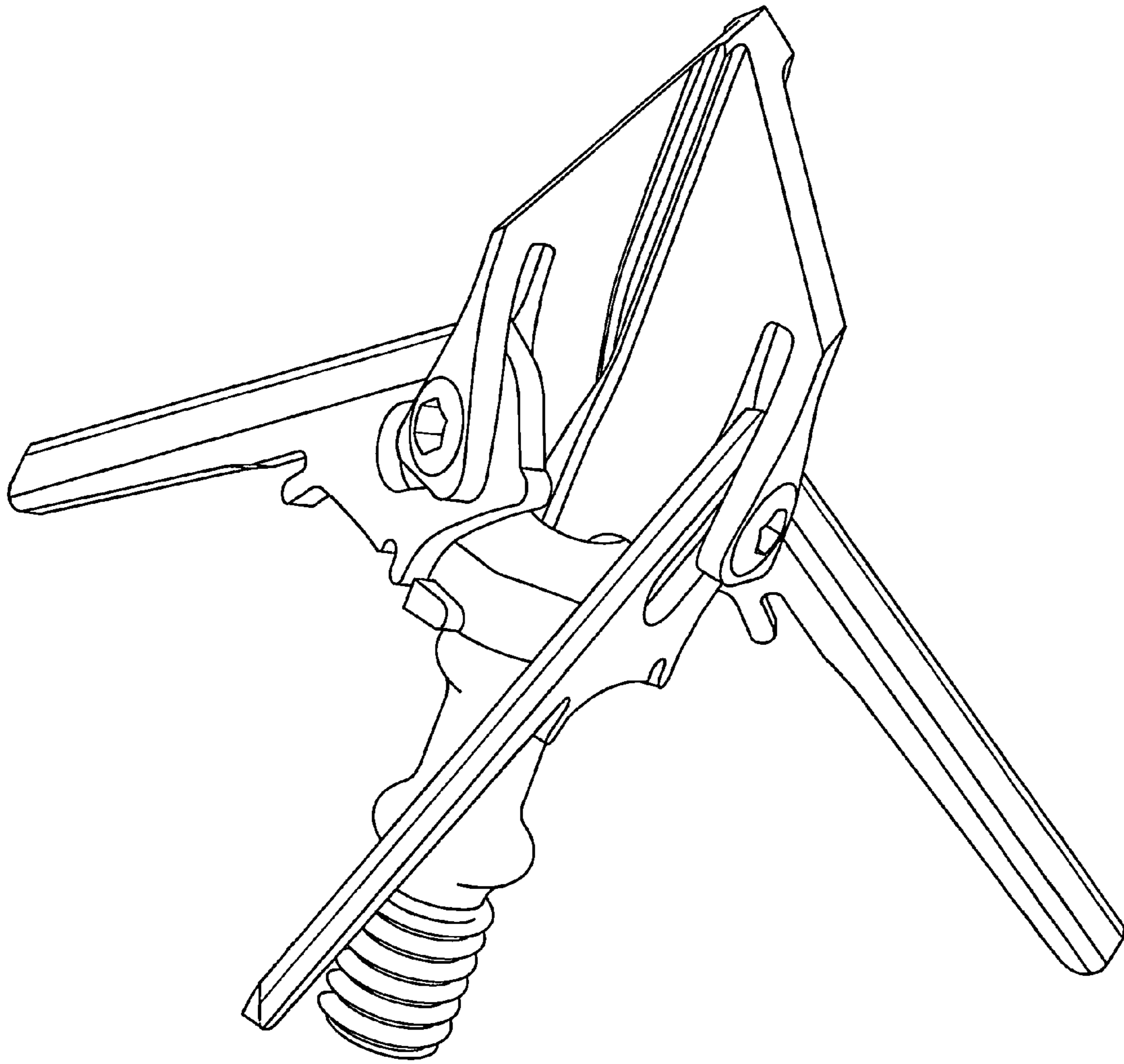


***Fig. 4***

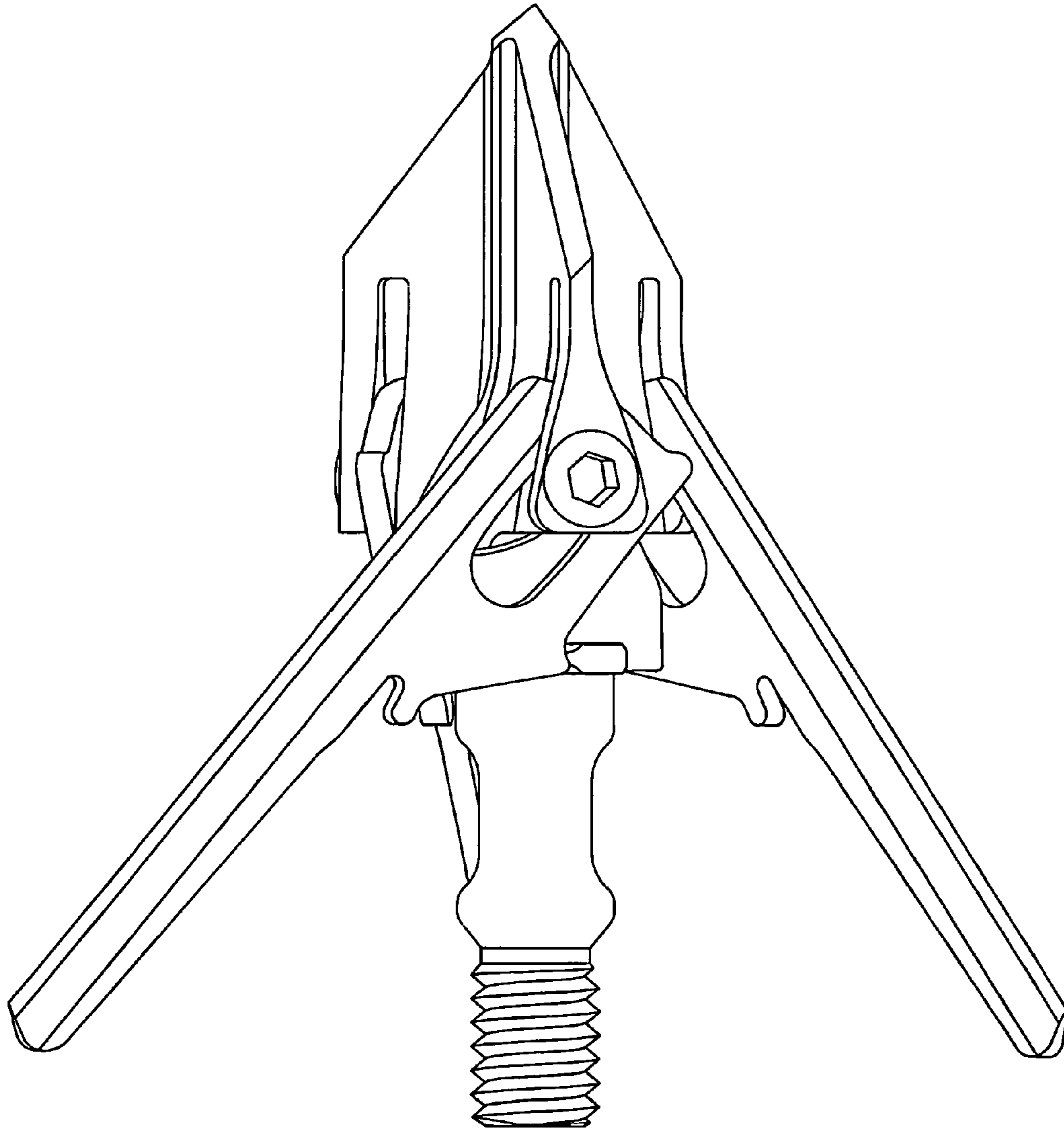


**Fig. 5**

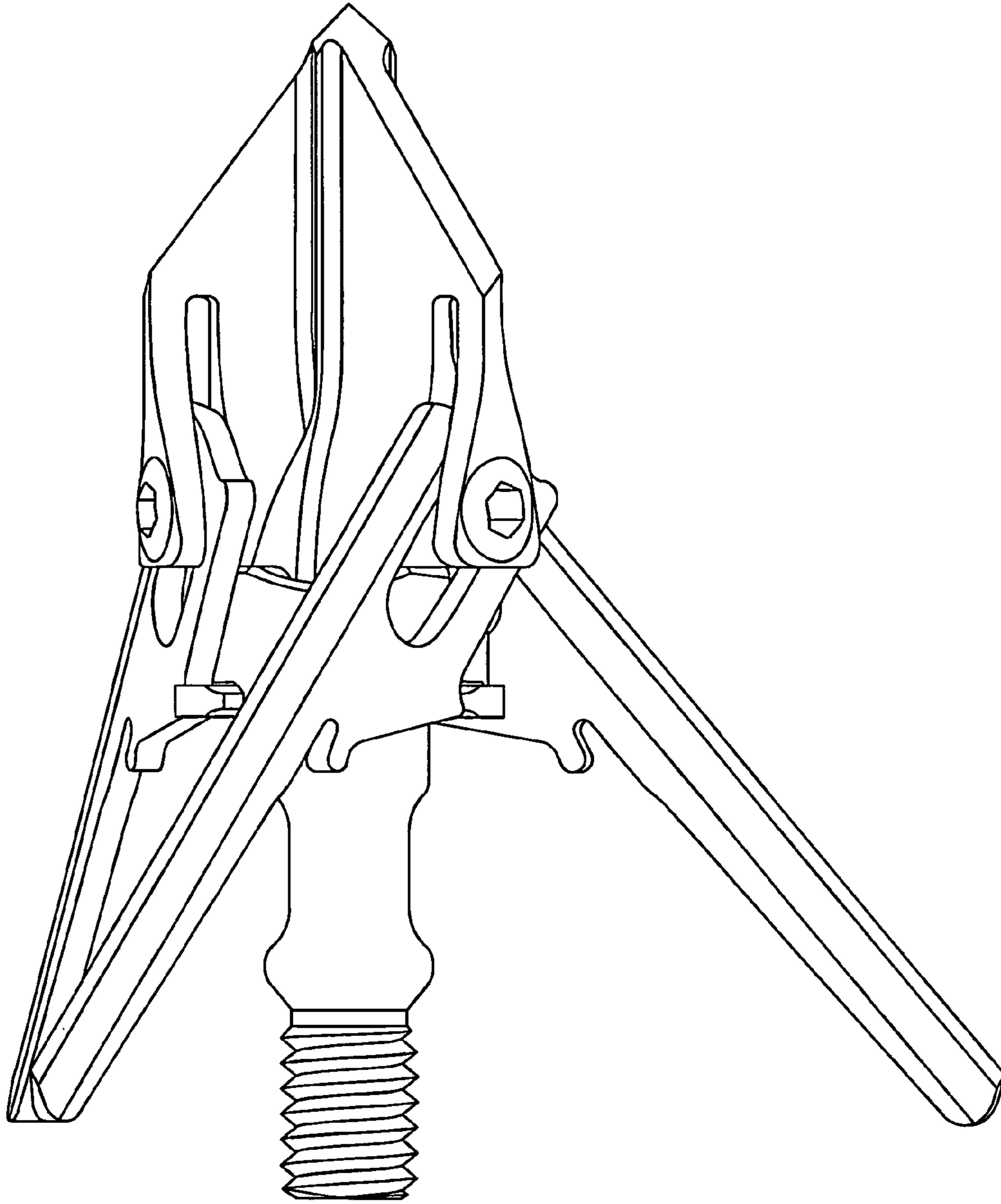




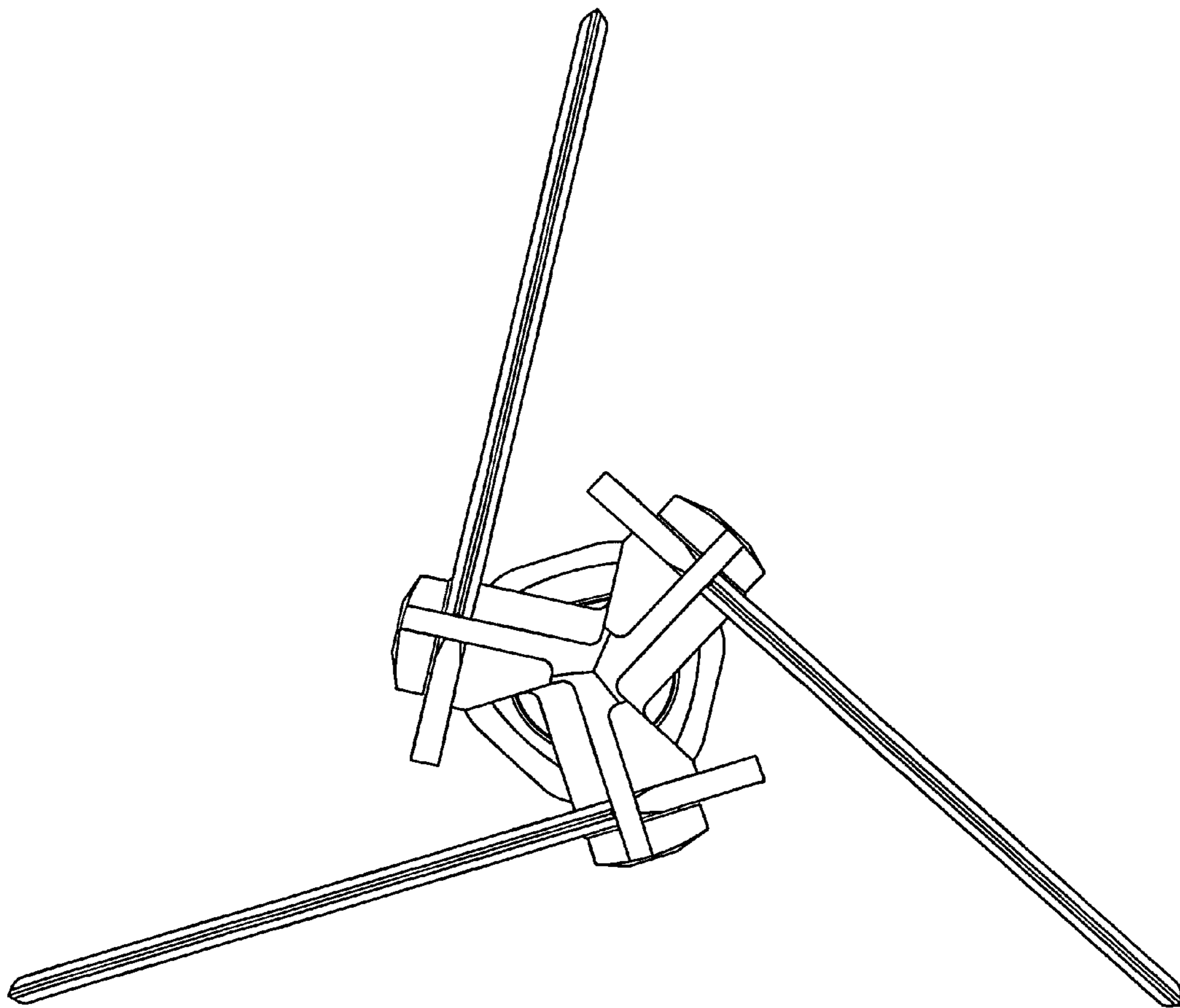
**Fig. 6**



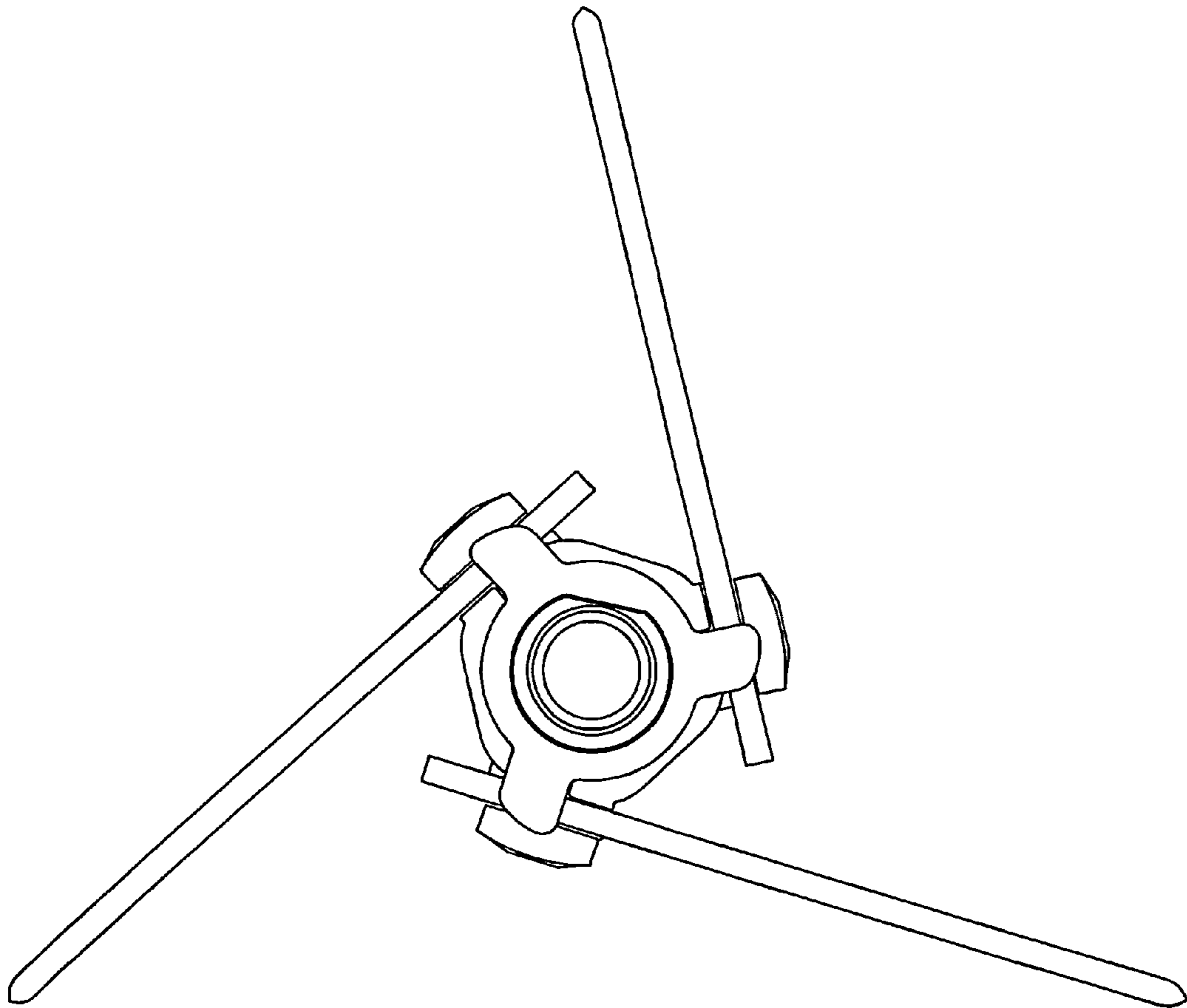
**Fig. 7**



**Fig. 8**



**Fig. 9**



**Fig. 10**