



US00D730468S

(12) **United States Design Patent**  
**Nay**

(10) **Patent No.:** **US D730,468 S**  
(45) **Date of Patent:** **\*\* May 26, 2015**

- (54) **LONGBOARD WHEEL**
- (71) Applicant: **Chauncey L. Nay**, St. George, UT (US)
- (72) Inventor: **Chauncey L. Nay**, St. George, UT (US)
- (73) Assignee: **Chauncey L. Nay**, St. George, UT (US)
- (\*\*) Term: **14 Years**
- (21) Appl. No.: **29/507,303**
- (22) Filed: **Oct. 27, 2014**

**Related U.S. Application Data**

- (62) Division of application No. 29/422,468, filed on May 21, 2012, now Pat. No. Des. 717,383.
- (51) **LOC (10) Cl.** ..... **21-02**
- (52) **U.S. Cl.**  
USPC ..... **D21/779**
- (58) **Field of Classification Search**  
CPC ..... A63C 17/00; A63C 17/01; A63C 17/04;  
A63C 17/06; A63C 17/22; A63C 17/18  
USPC ..... D21/563, 761, 762, 765, 771, 779;  
D12/204-213; 280/11.19, 11.215,  
280/11.221-11.26, 11.28, 11.32, 87.042,  
280/809, 816; 152/165; 301/5.1, 5.7,  
301/5.301-5.309

See application file for complete search history.

(56) **References Cited**

**U.S. PATENT DOCUMENTS**

622,391	A *	4/1899	Rankin et al. ....	301/5.307
698,110	A *	4/1902	Foy .....	301/5.301
817,739	A *	4/1906	Loepp .....	301/5.1
1,542,103	A *	6/1925	Shoemaker .....	301/5.304
D299,733	S *	2/1989	Taminich .....	D21/779
4,805,934	A *	2/1989	Mullenax .....	280/7.12
6,290,242	B1 *	9/2001	Ludwig .....	280/11.233

D517,632	S *	3/2006	Chen .....	D21/779
D517,633	S *	3/2006	Chen .....	D21/779
7,311,318	B1 *	12/2007	Funk .....	280/87.042
2002/0020975	A1 *	2/2002	Dahan .....	280/11.221

\* cited by examiner

*Primary Examiner* — Cynthia M Chin

(74) *Attorney, Agent, or Firm* — Maschoff Brennan

(57) **CLAIM**

The ornamental design for a longboard wheel, as shown and described.

**DESCRIPTION**

FIG. 1 is an upper perspective view of a first embodiment of a longboard wheel, illustrating the wheels attached to an exemplary longboard;

FIG. 2 is an upper perspective view of the longboard wheel shown in FIG. 1;

FIG. 3 is a front view of the longboard wheel shown in FIG. 1;

FIG. 4 is a rear view of the longboard wheel shown in FIG. 1;

FIG. 5 is a left side view of the longboard wheel shown in FIG. 1;

FIG. 6 is a right side view of the longboard wheel shown in FIG. 1;

FIG. 7 is an upper perspective view of another embodiment of a longboard wheel;

FIG. 8 is a front view of the longboard wheel shown in FIG. 7;

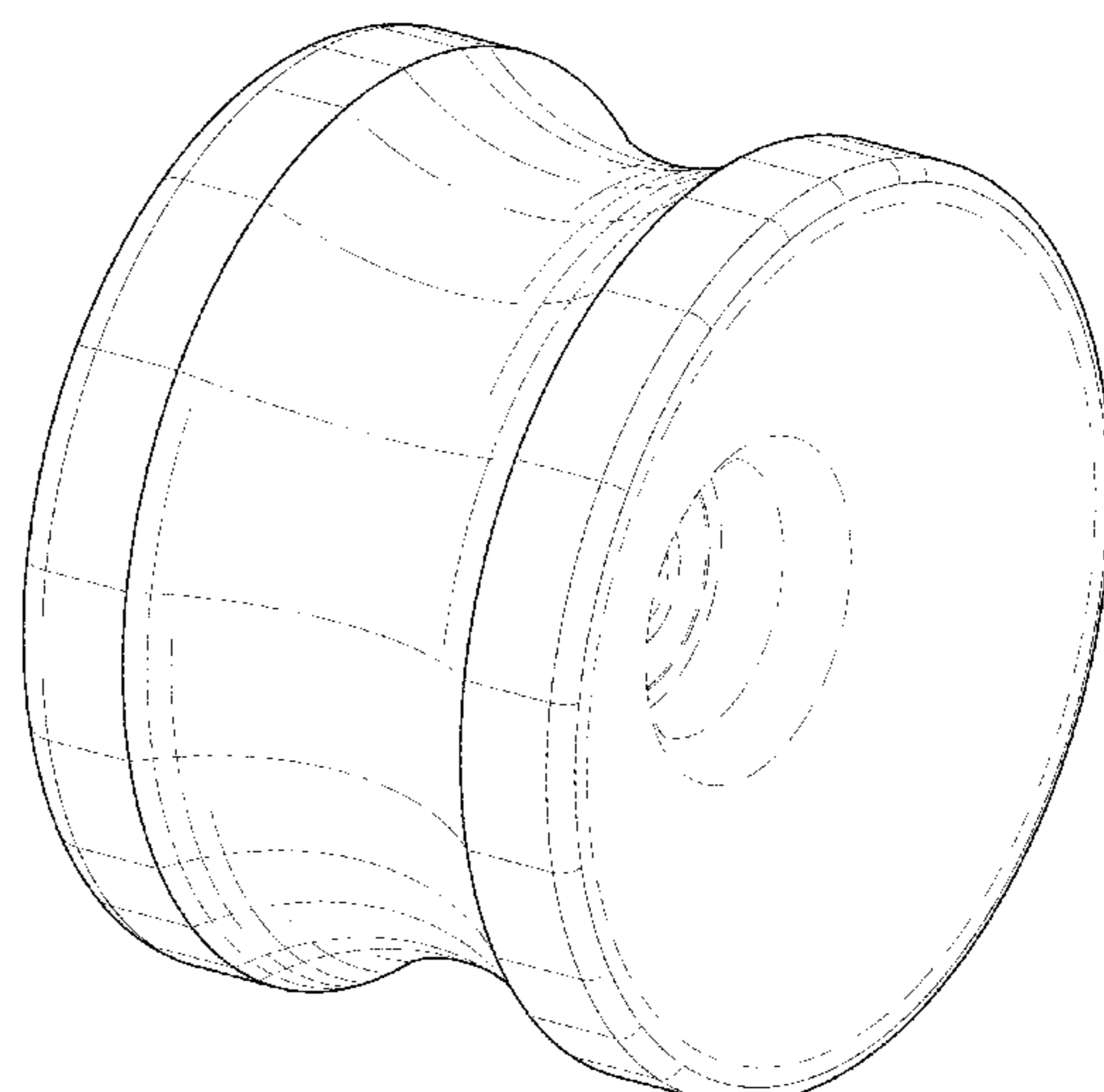
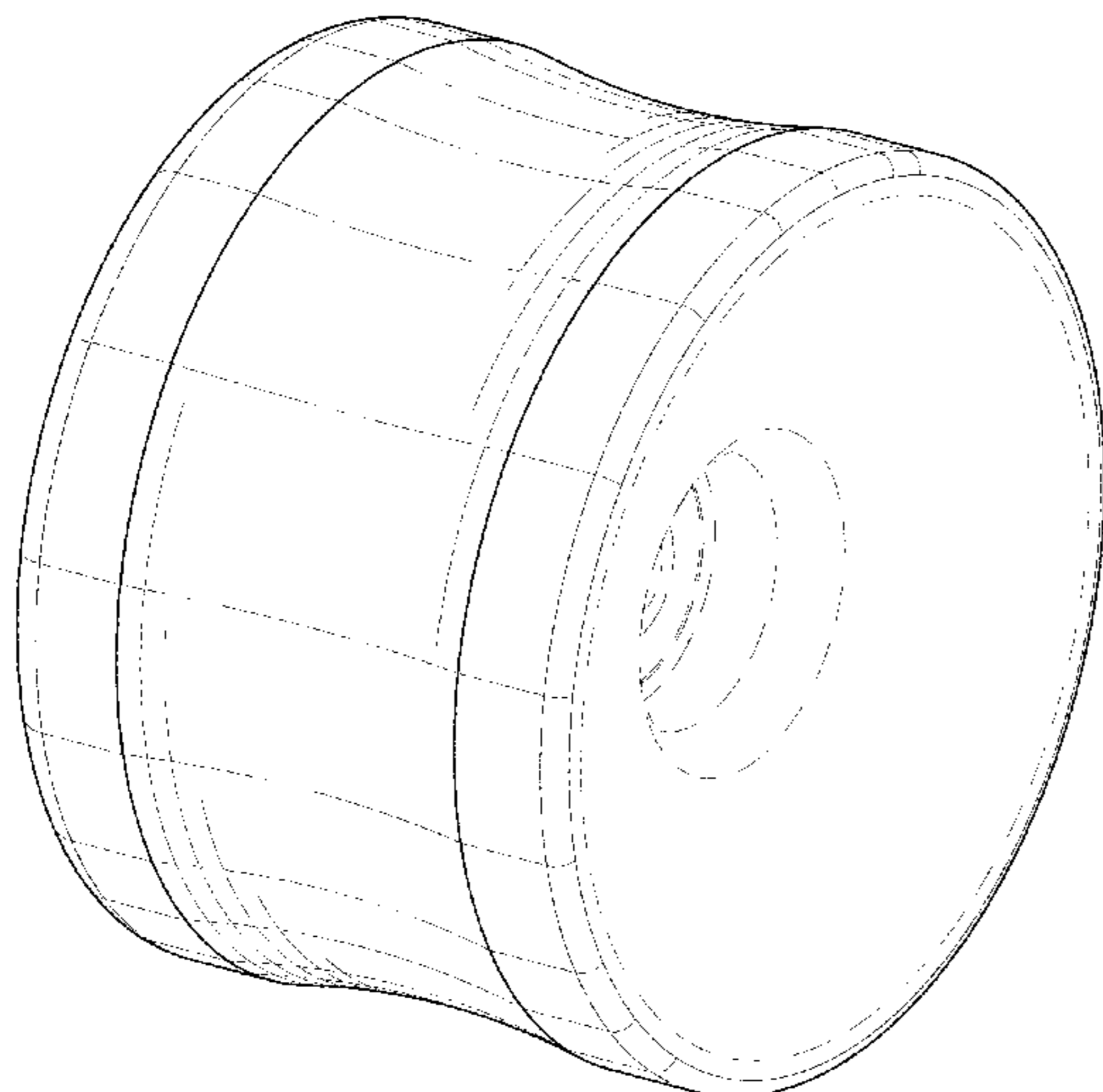
FIG. 9 is a rear view of the longboard wheel shown in FIG. 7;

FIG. 10 is a left side view of the longboard wheel shown in FIG. 7; and,

FIG. 11 is a right side view of the longboard wheel shown in FIG. 7.

The broken lines shown in the figures are included for the purpose of illustrating the environment in which the article resides and forms no part of the claimed design.

**1 Claim, 5 Drawing Sheets**



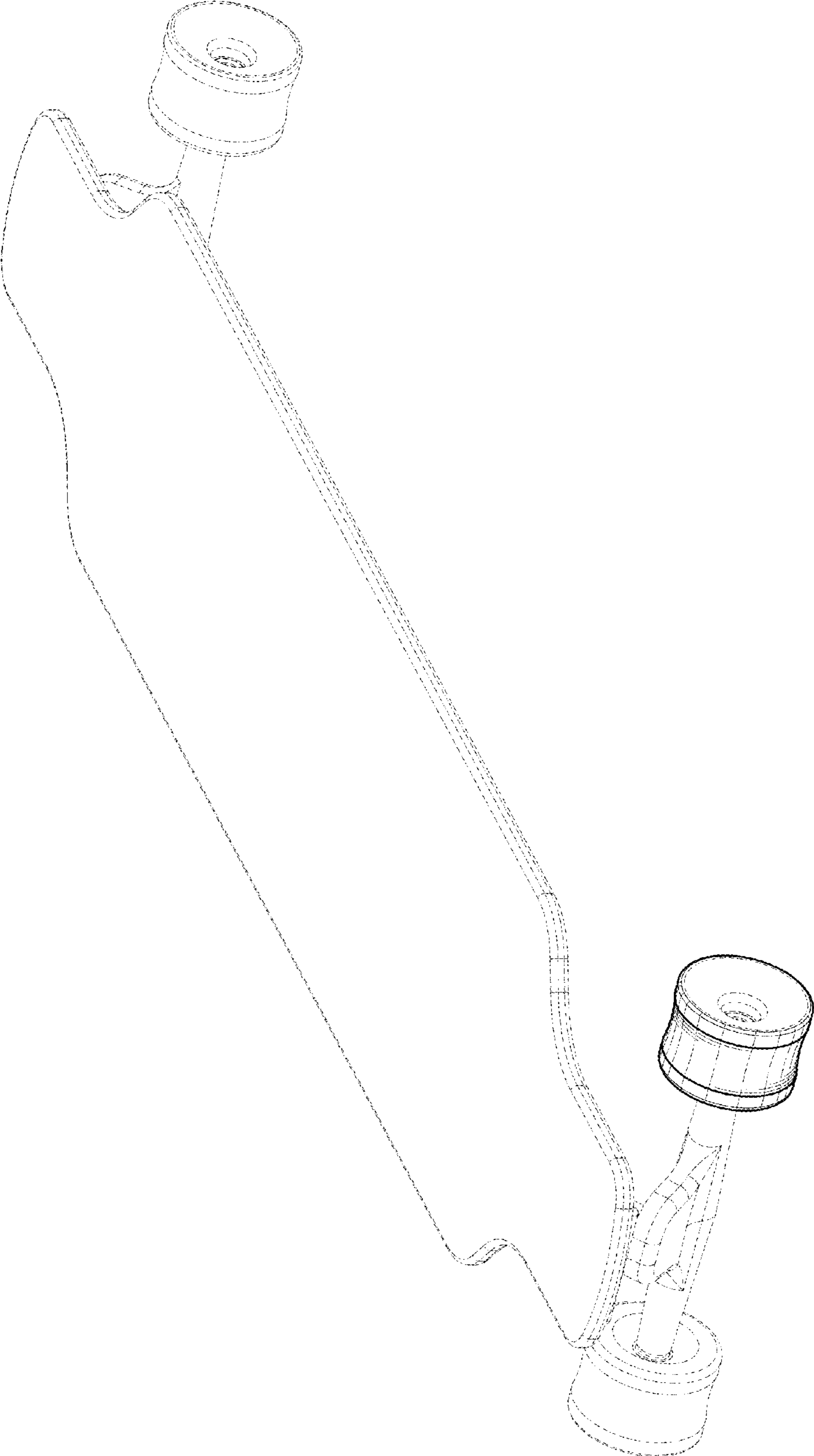
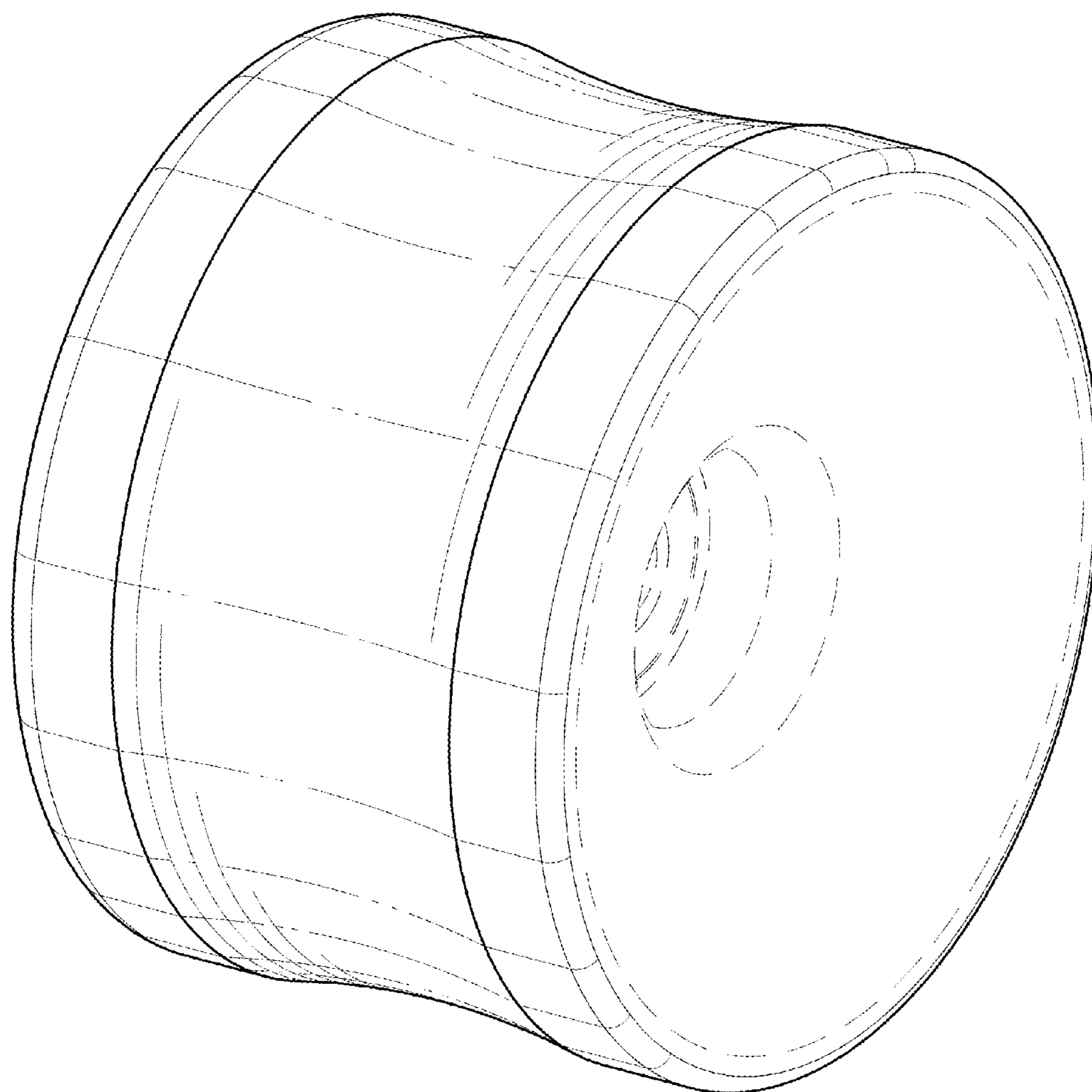
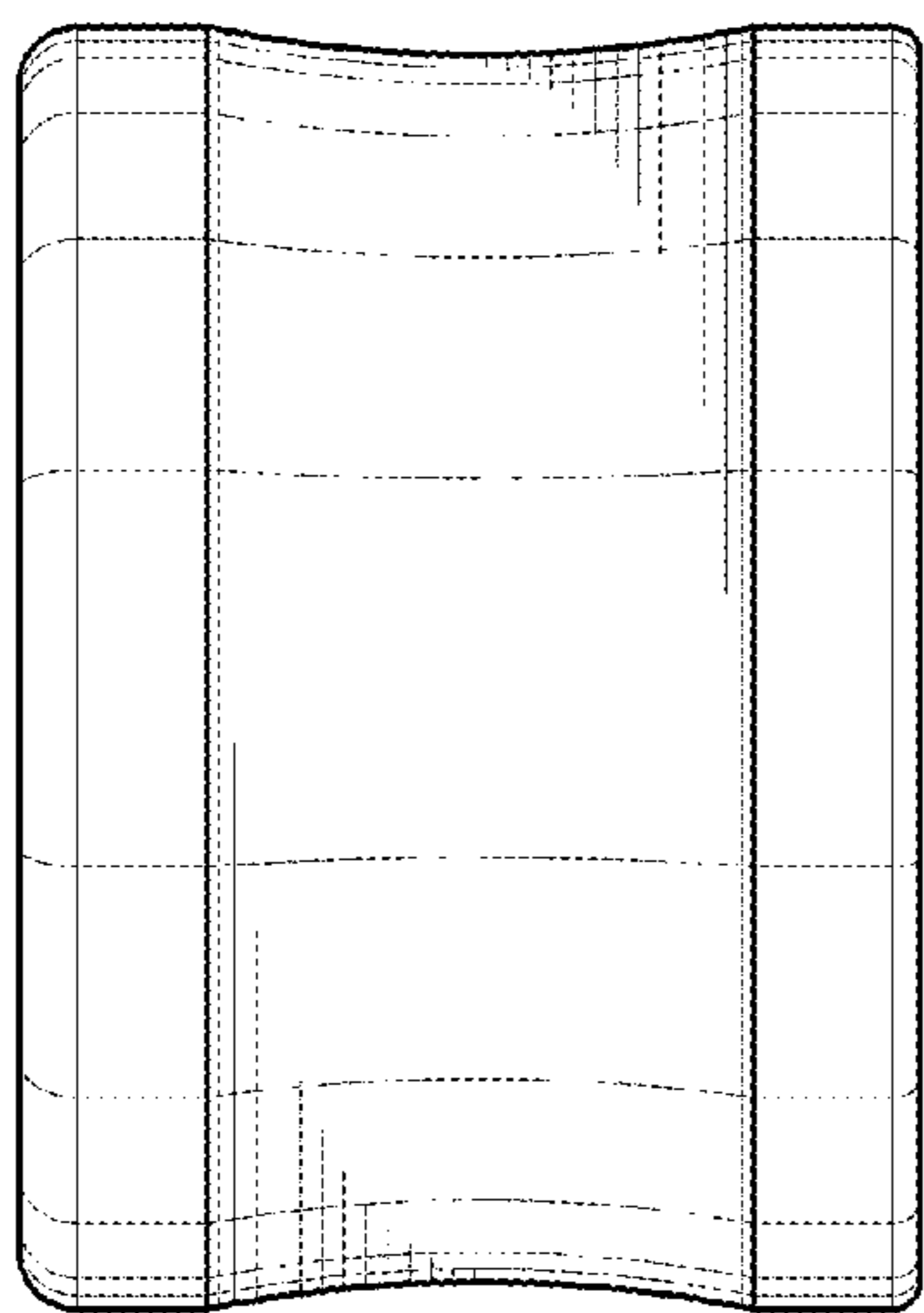


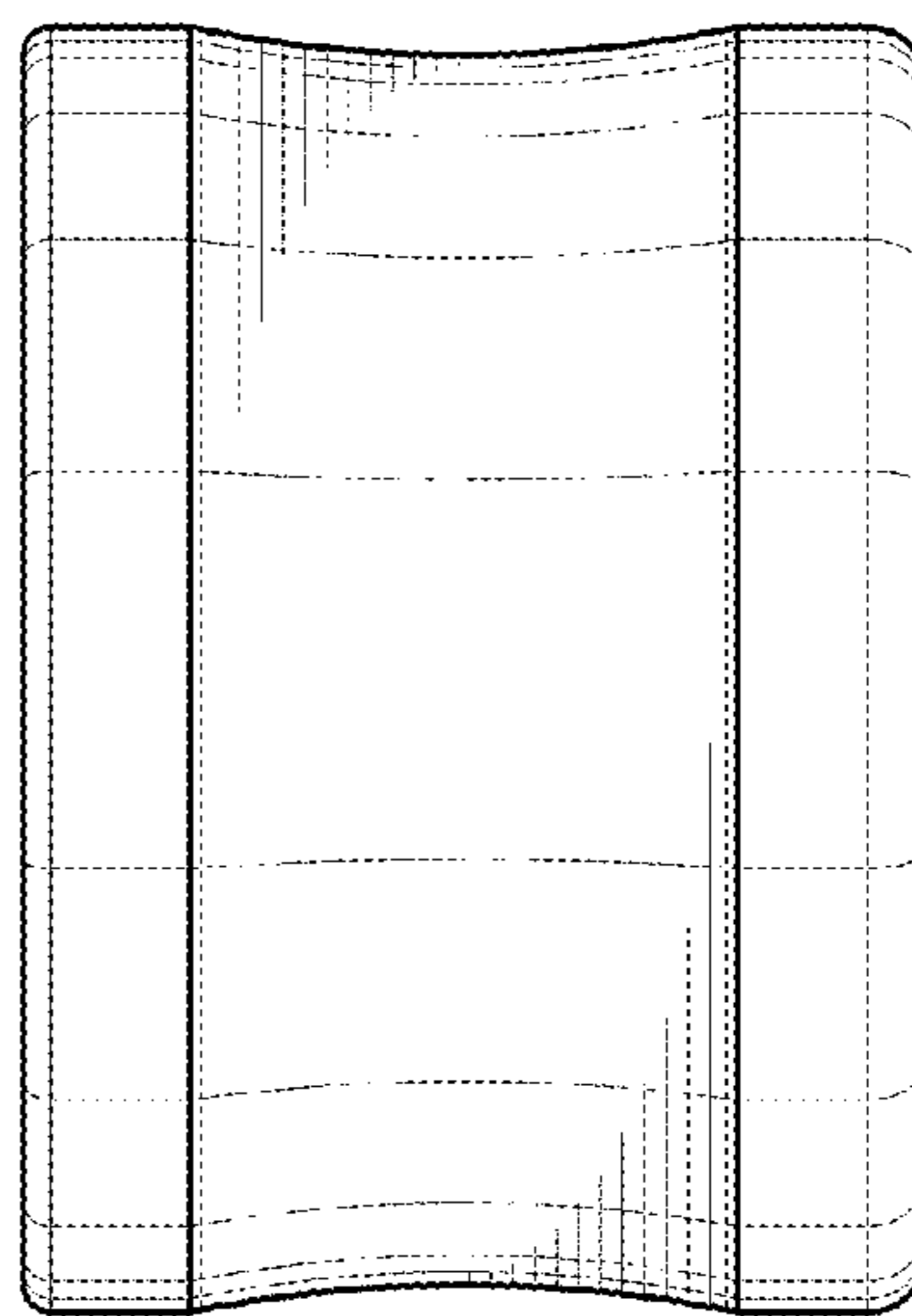
Fig. 1



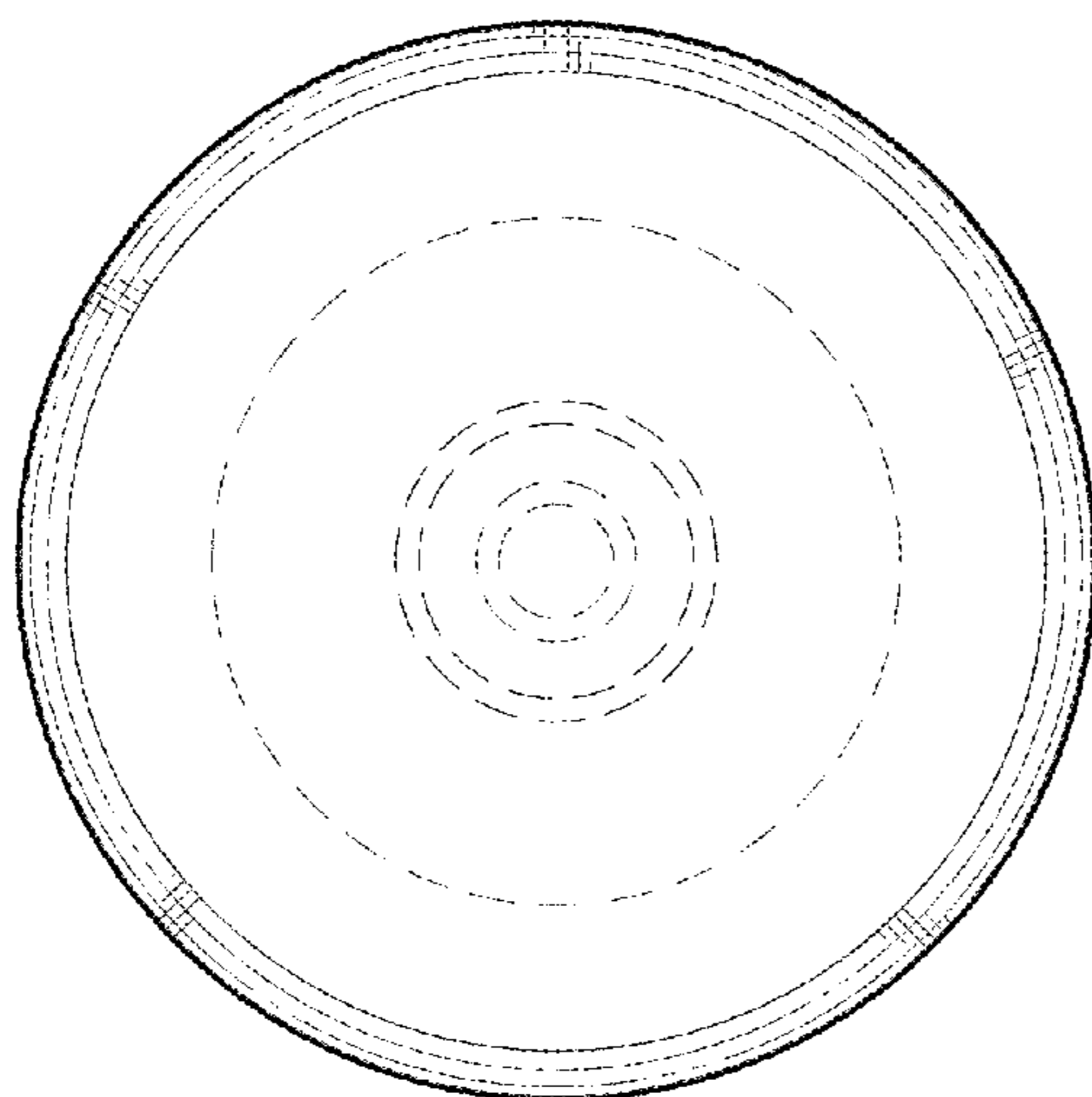
**Fig. 2**



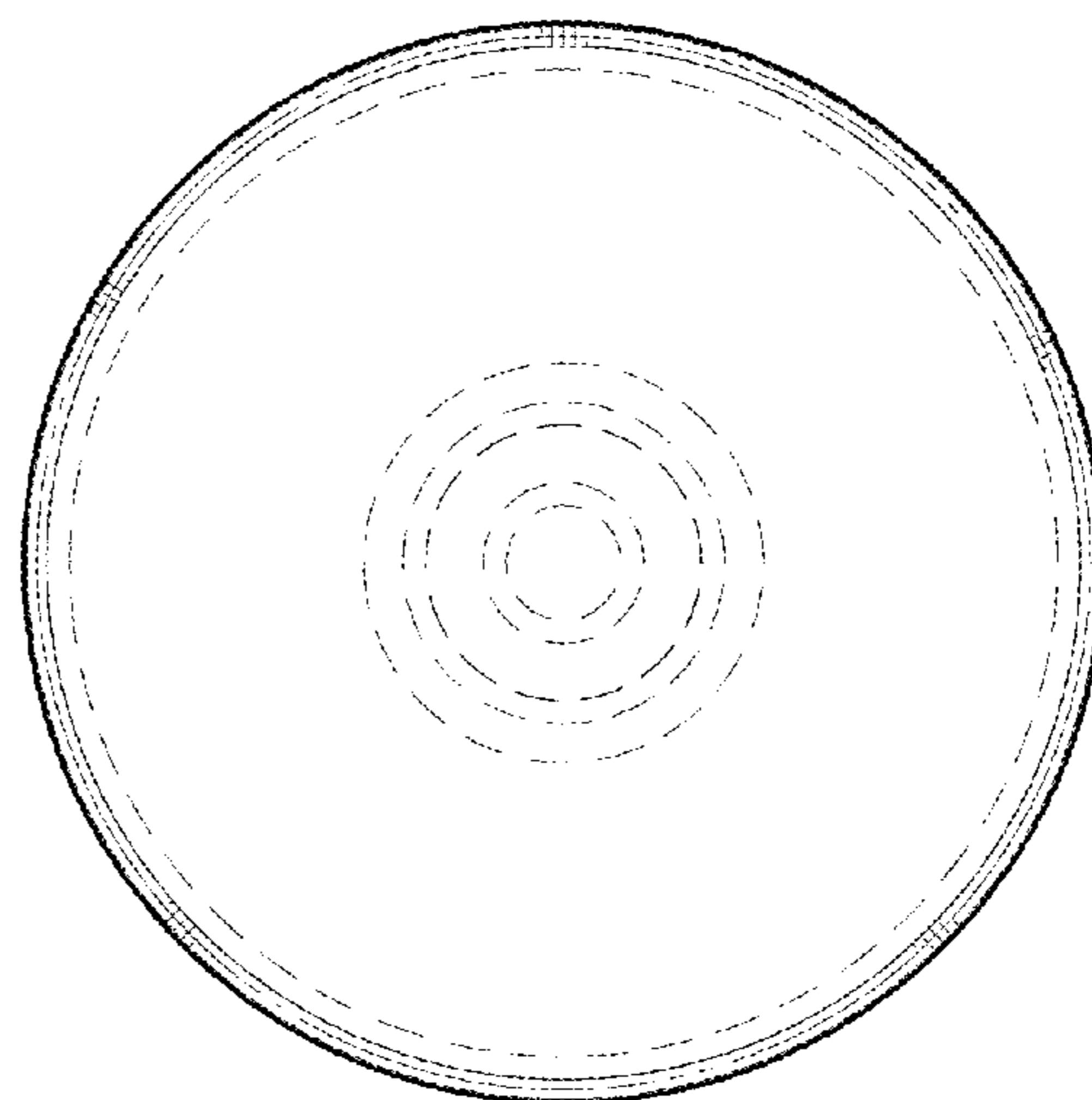
**Fig. 3**



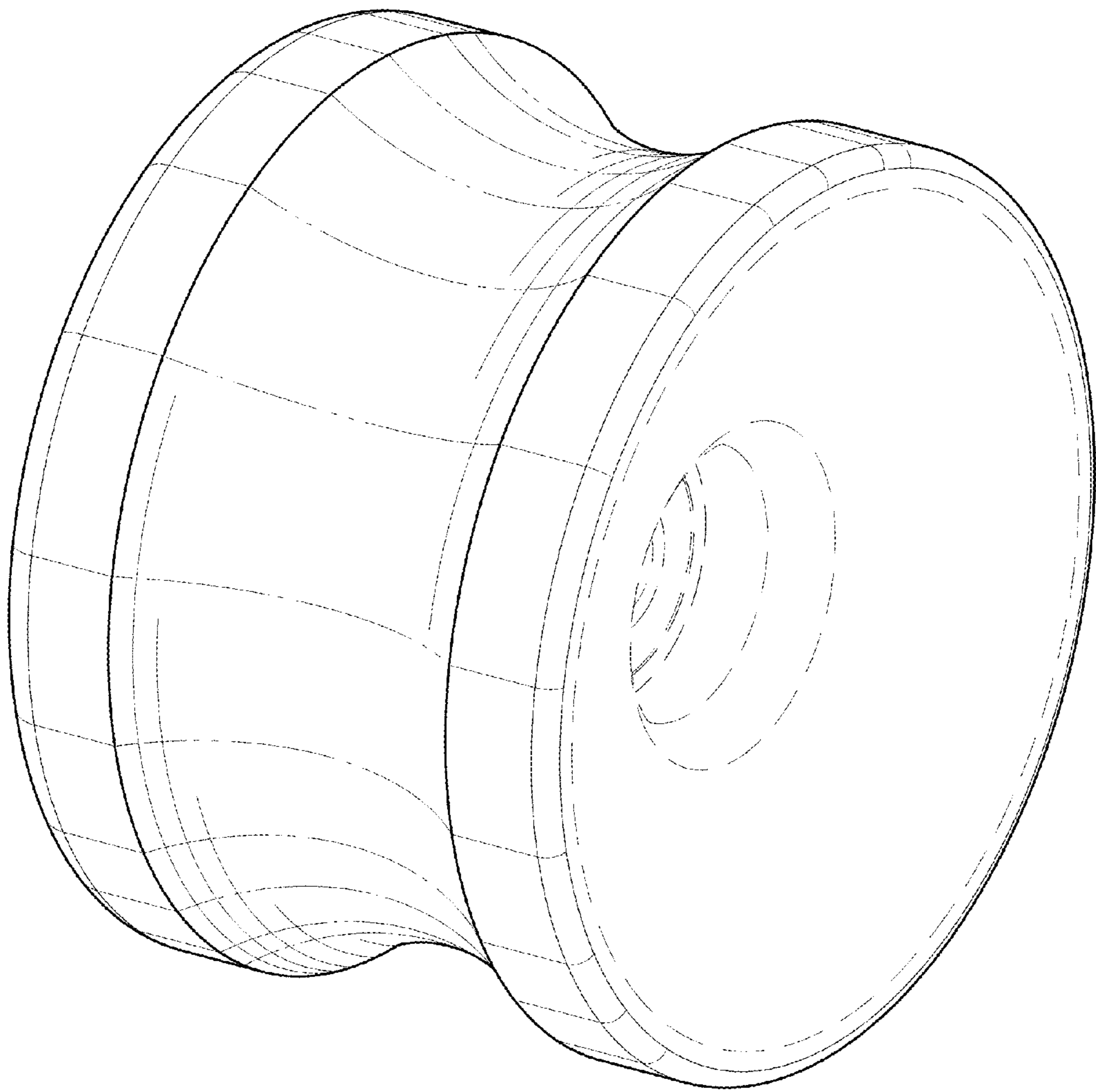
**Fig. 4**



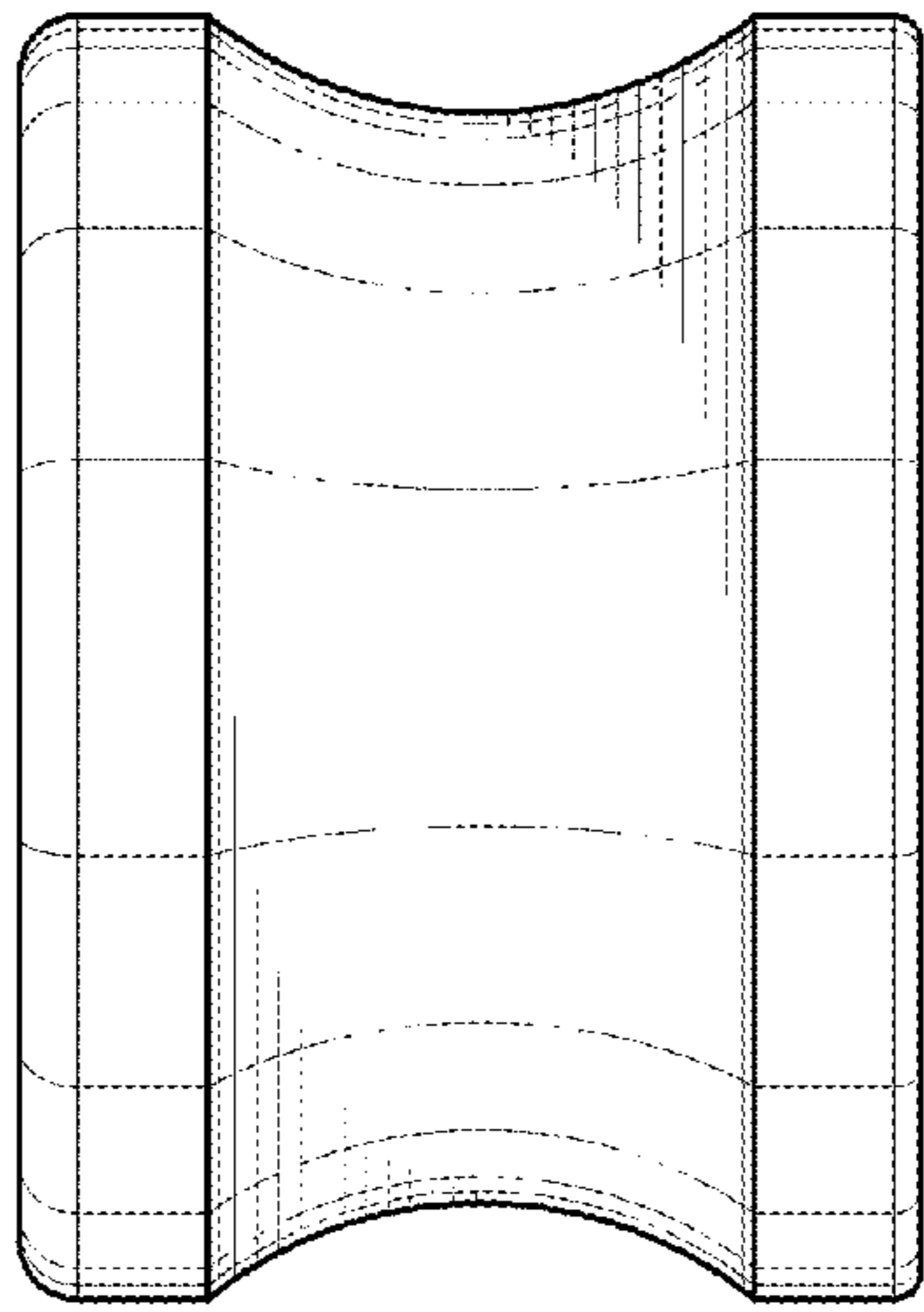
**Fig. 5**



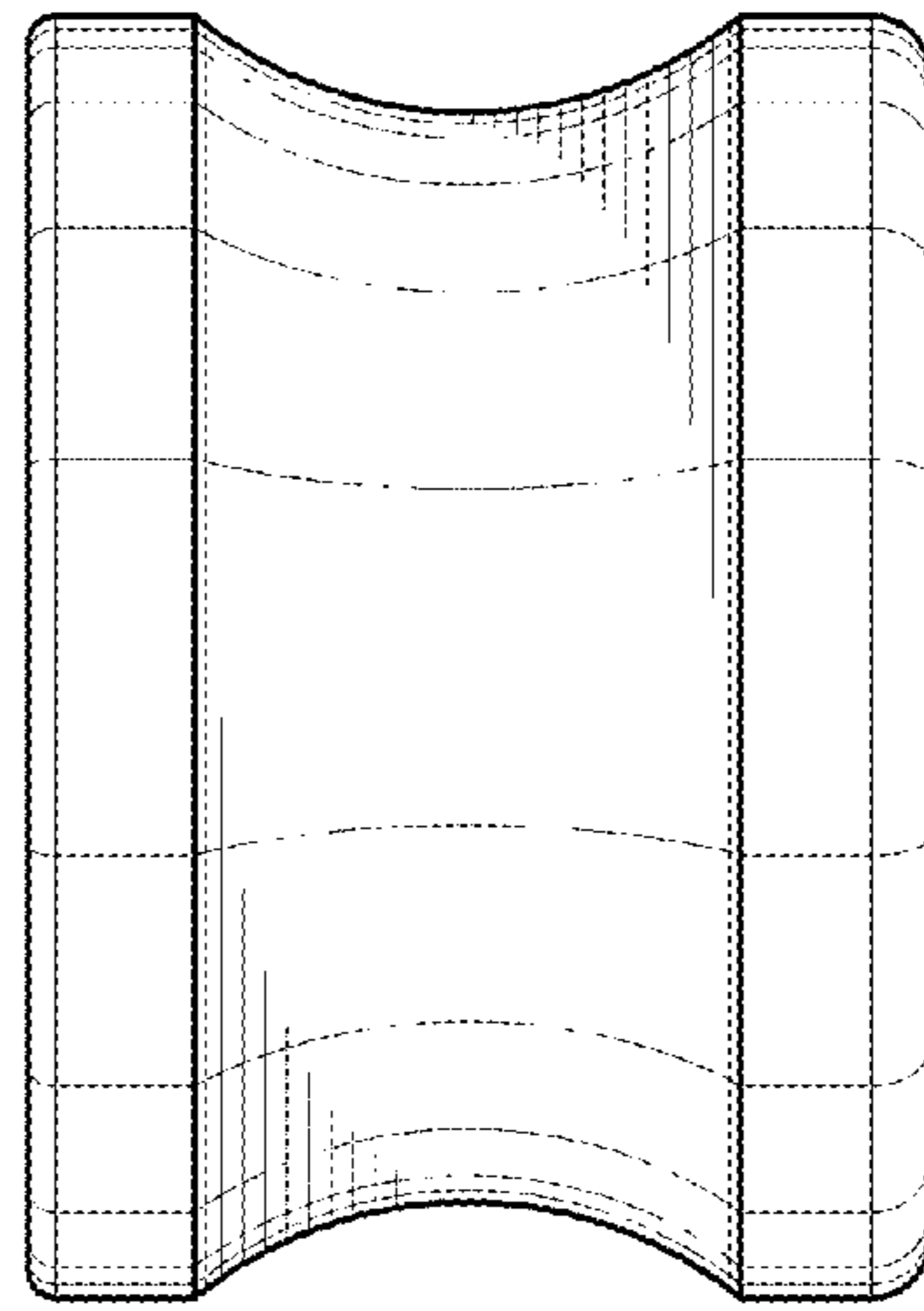
**Fig. 6**



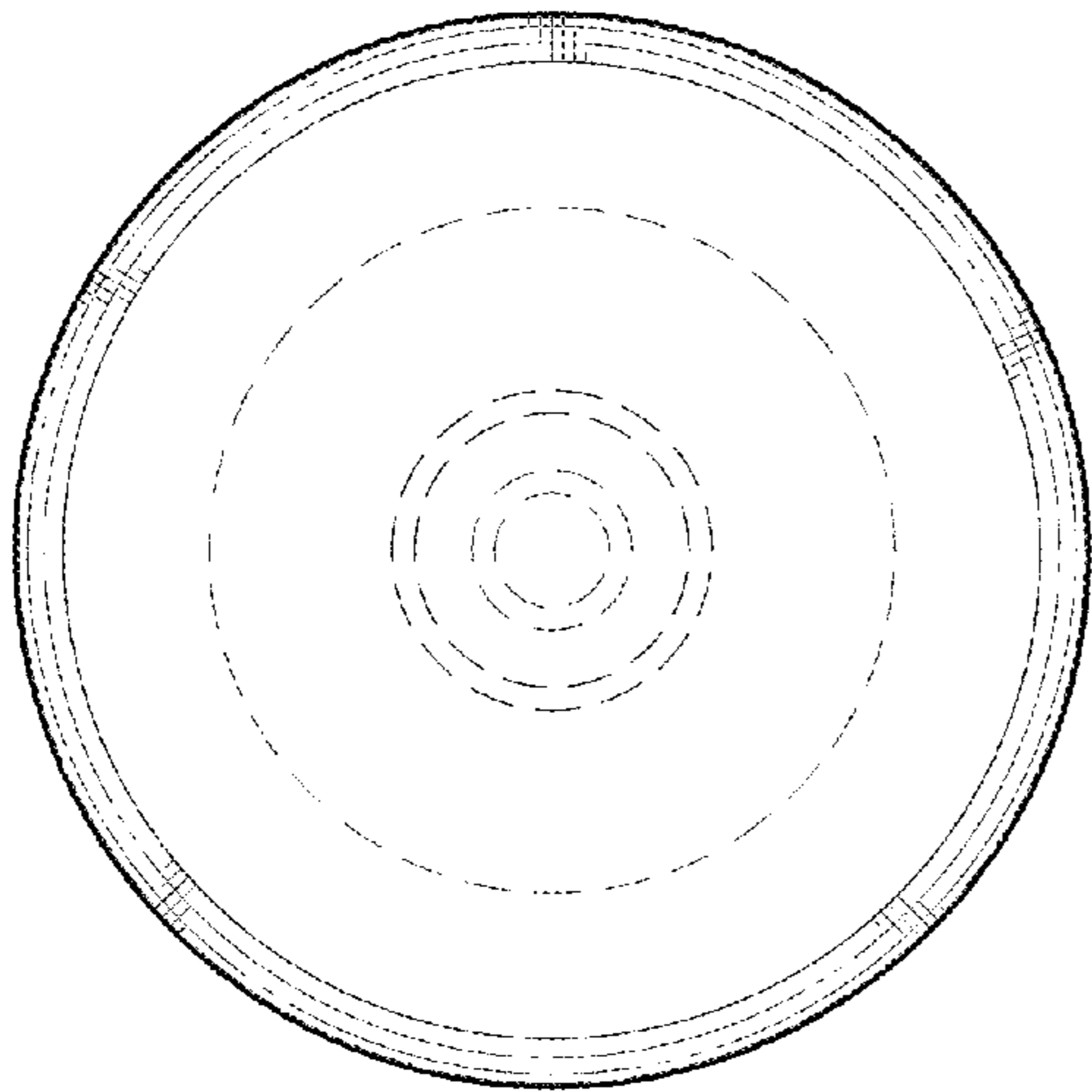
**Fig. 7**



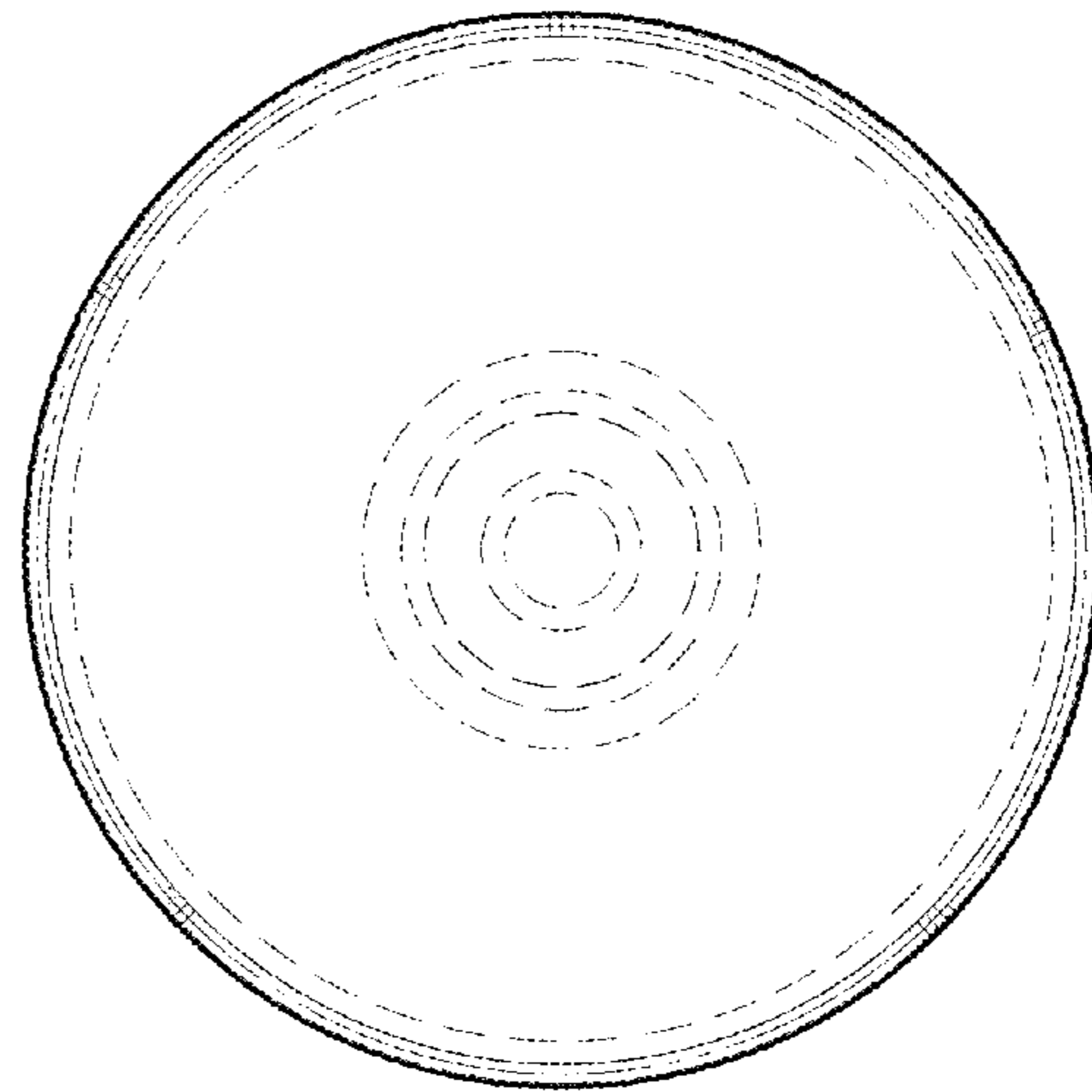
**Fig. 8**



**Fig. 9**



**Fig. 10**



**Fig. 11**