



US00D730466S

(12) **United States Design Patent**
Seagram

(10) **Patent No.:** **US D730,466 S**

(45) **Date of Patent:** **** May 26, 2015**

(54) **GOLF CLUB HEAD**

(71) Applicant: **Dunlop Sports Company Limited,**
Kobe (JP)

(72) Inventor: **Phillip C. Seagram,** Long Beach, CA
(US)

(73) Assignee: **Dunlop Sports Co. Ltd.,** Kobe-shi (JP)

(**) Term: **14 Years**

(21) Appl. No.: **29/493,691**

(22) Filed: **Jun. 12, 2014**

(51) **LOC (10) Cl.** **21-02**

(52) **U.S. Cl.**
USPC **D21/759**

(58) **Field of Classification Search**
CPC A63B 53/00; A63B 53/04; A63B 53/047;
A63B 53/0475
USPC D21/747-751, 759
See application file for complete search history.

(56) **References Cited**

U.S. PATENT DOCUMENTS

D327,720 S * 7/1992 Antonious D21/748
D581,000 S * 11/2008 Nicolette et al. D21/749

D621,893 S * 8/2010 Nicolette et al. D21/759
D641,446 S * 7/2011 Engel et al. D21/759
D691,684 S * 10/2013 Cyrulik et al. D21/759
8,657,700 B2 * 2/2014 Nicolette et al. 473/291
D710,961 S * 8/2014 Foster D21/759
2012/0289360 A1 * 11/2012 Breier et al. 473/335

* cited by examiner

Primary Examiner — Mitchell Siegel

(74) *Attorney, Agent, or Firm* — Oliff PLC

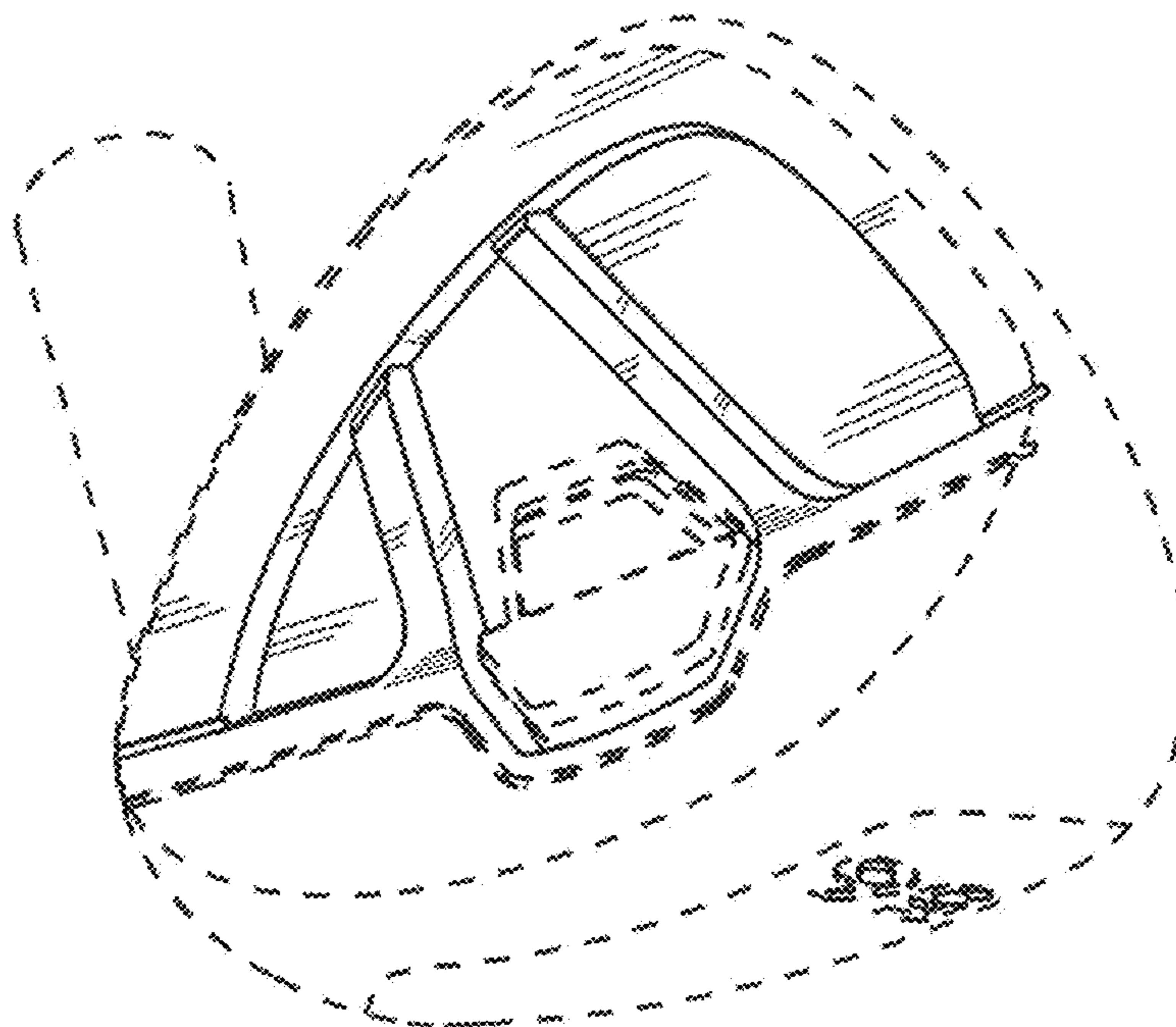
(57) **CLAIM**

The ornamental design for golf club head, as shown and described.

DESCRIPTION

FIG. 1 is a rear perspective view embodying the inventive design;
FIG. 2 is a rear elevational view thereof;
FIG. 3 is a front elevational view thereof;
FIG. 4 is a right-side elevational view thereof;
FIG. 5 is a left-side elevational view thereof;
FIG. 6 is top plan view thereof; and,
FIG. 7 is a bottom plan view thereof.
The broken lines illustrate environmental structure that form no part of the claimed design.

1 Claim, 7 Drawing Sheets



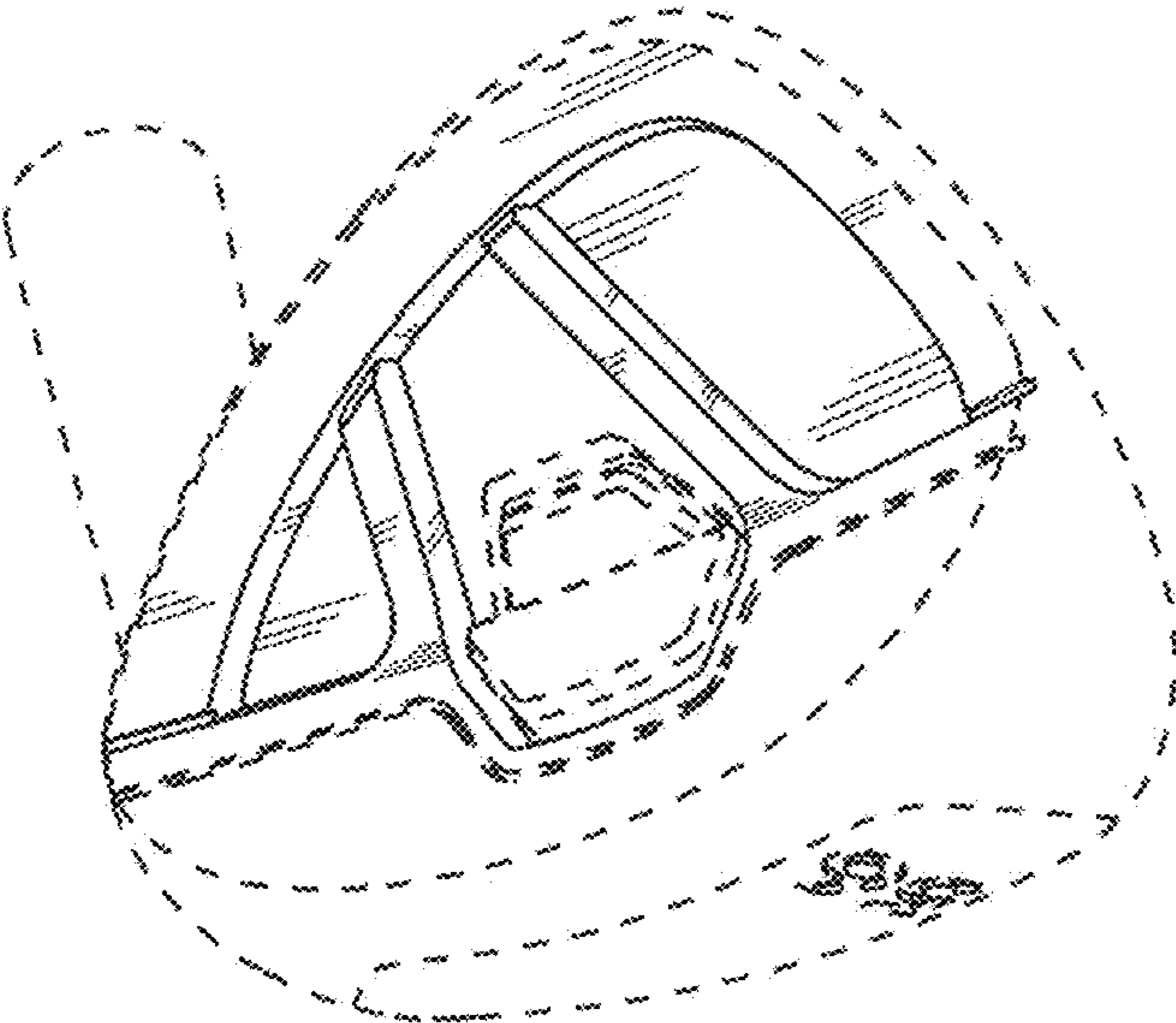


Fig. 1

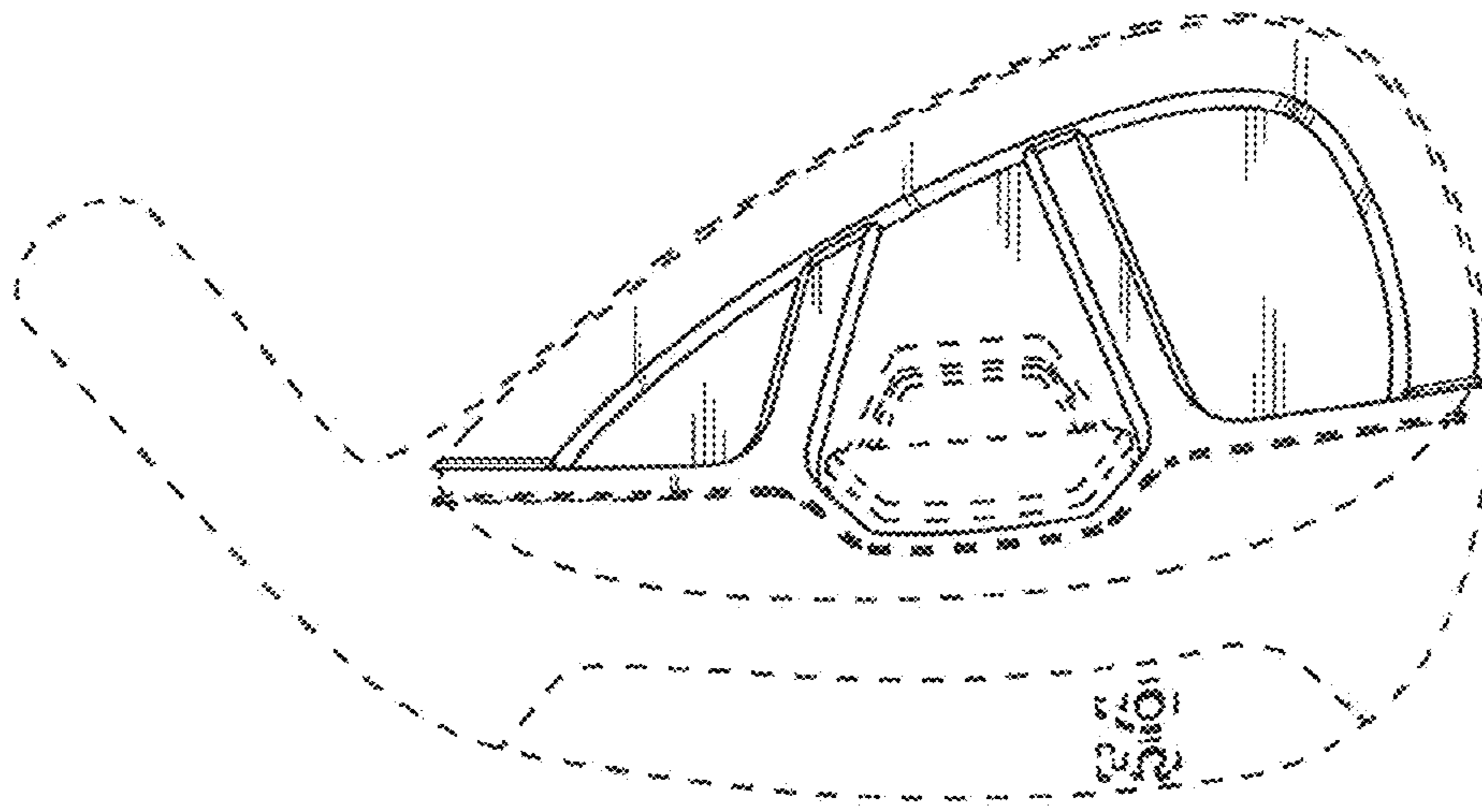


Fig. 2

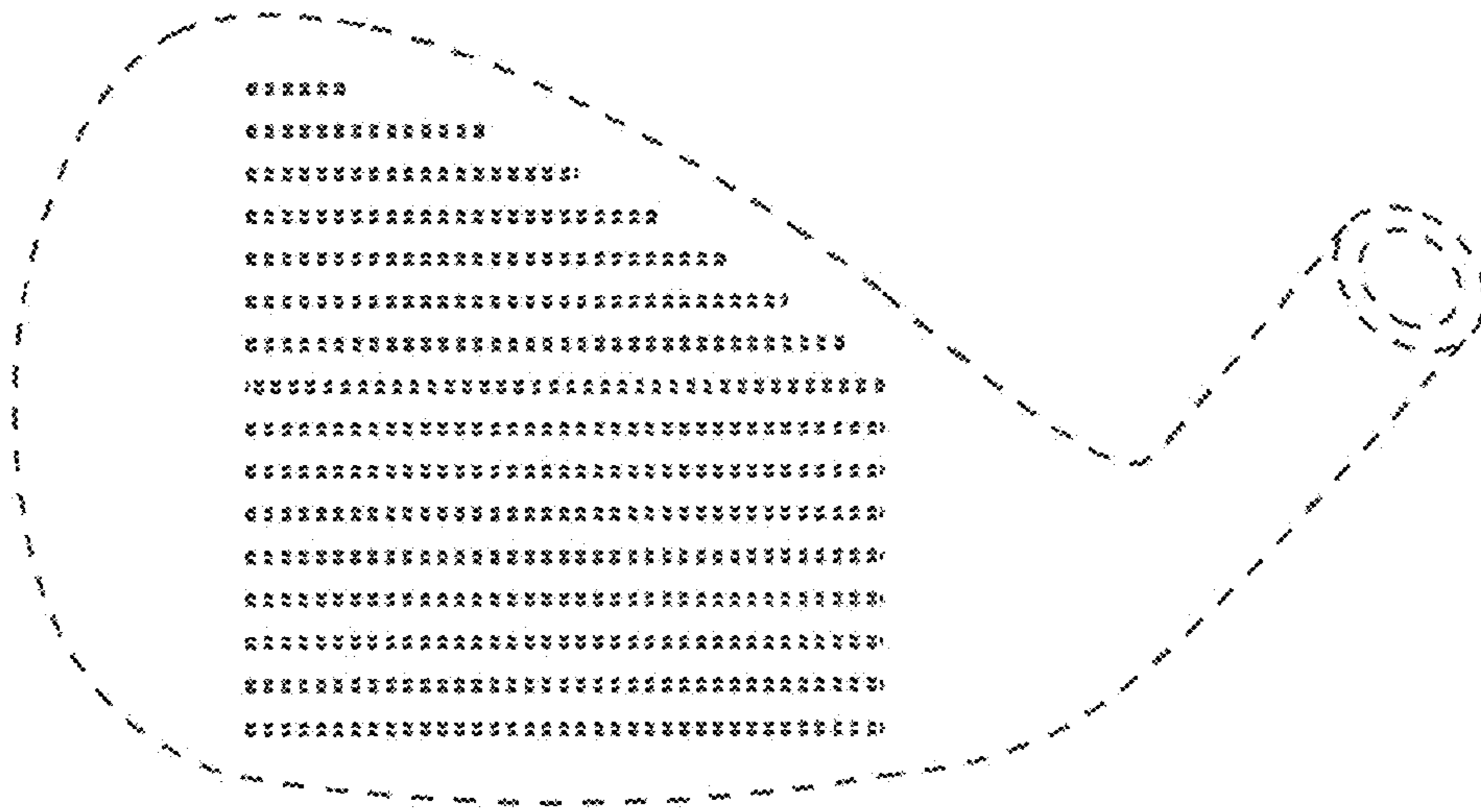


Fig. 3

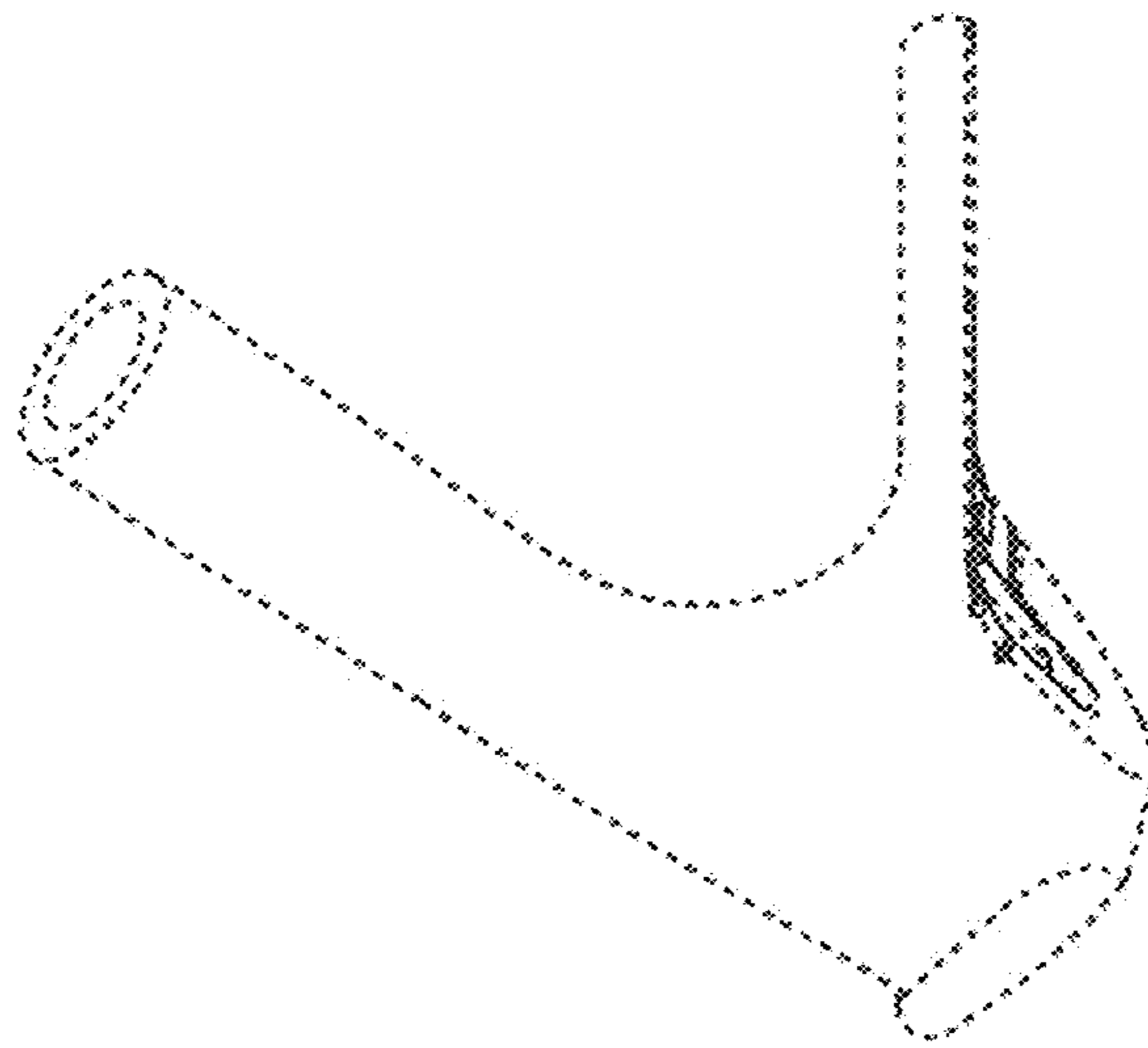


Fig. 4

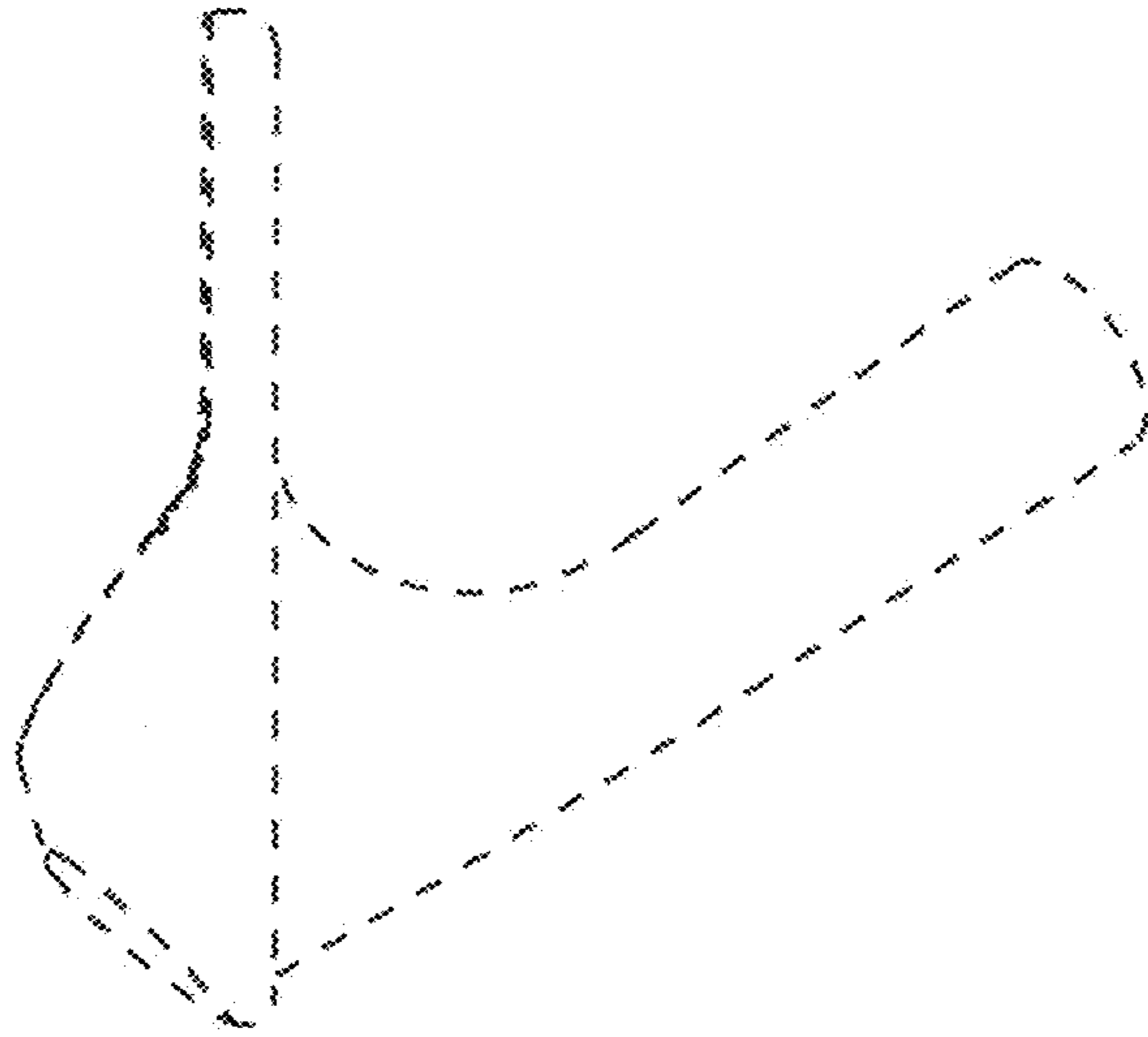


Fig. 5

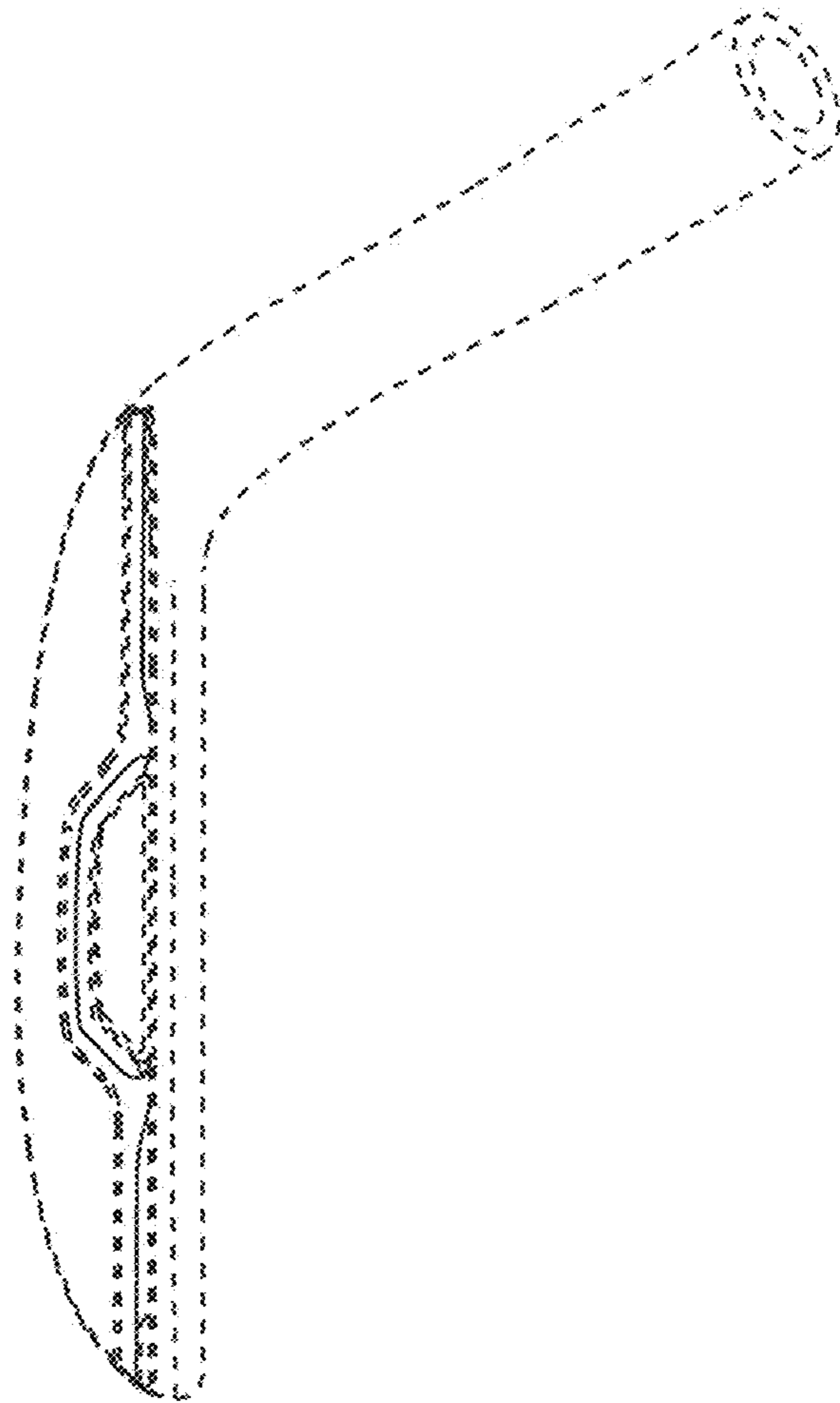


Fig. 6

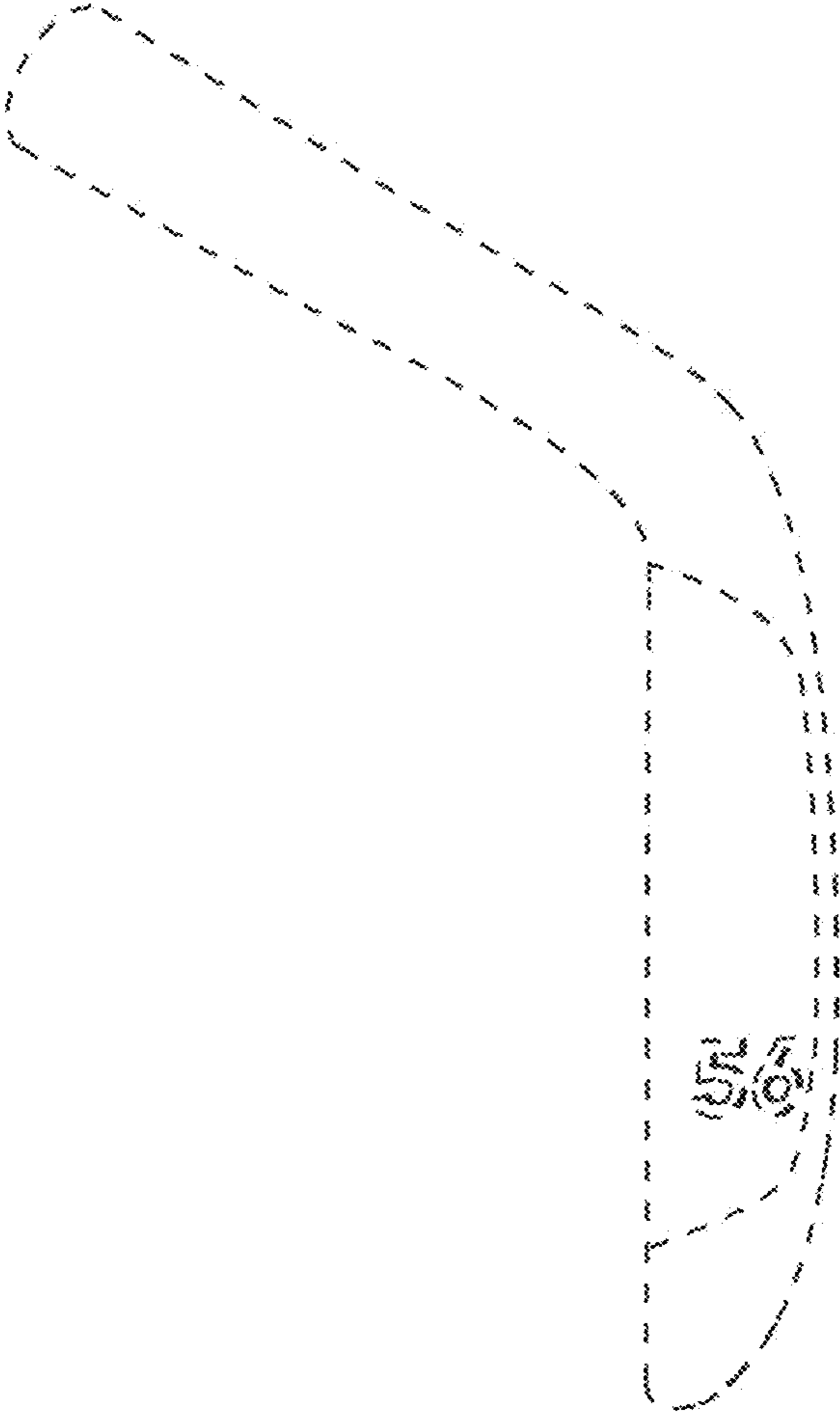


Fig. 7