



US00D730465S

(12) **United States Design Patent**
Cameron

(10) **Patent No.:** **US D730,465 S**

(45) **Date of Patent:** **** May 26, 2015**

(54) **SOLE OF A PUTTER HEAD**

(71) Applicant: **Acushnet Company**, Fairhaven, MA (US)

(72) Inventor: **Don T. Cameron**, Carlsbad, CA (US)

(73) Assignee: **Acushnet Company**, Fairhaven, MA (US)

(**) Term: **14 Years**

(21) Appl. No.: **29/484,333**

(22) Filed: **Mar. 7, 2014**

(51) **LOC (10) Cl.** **21-02**

(52) **U.S. Cl.**
USPC **D21/759**

(58) **Field of Classification Search**
USPC D21/736-746, 759; 473/324-331,
473/340-341

See application file for complete search history.

(56) **References Cited**

U.S. PATENT DOCUMENTS

D364,666 S	11/1995	Nagy	
D368,752 S	4/1996	Patten	
D478,140 S	8/2003	Burrows	
D510,395 S *	10/2005	Mirafflor et al.	D21/759
D510,396 S *	10/2005	Rollinson	D21/759
D512,757 S *	12/2005	Cleveland et al.	D21/747
D520,586 S	5/2006	Bingman	
D529,564 S	10/2006	Grace	

D530,761 S *	10/2006	Evans et al.	D21/752
D532,069 S *	11/2006	Tang et al.	D21/752
7,160,203 B2	1/2007	Bonneau	
7,163,469 B2	1/2007	Bonneau	
D536,403 S	2/2007	Kawami	
D538,371 S	3/2007	Kawami	
D544,933 S *	6/2007	Evans et al.	D21/752
D556,278 S *	11/2007	Mahaffey et al.	D21/747
D570,933 S	6/2008	Kramski	
D574,050 S *	7/2008	Jones et al.	D21/759
D576,698 S	9/2008	Cameron	
D585,511 S	1/2009	Cameron	
D591,806 S	5/2009	Cameron	
D639,368 S	6/2011	Reinberg	
D642,643 S	8/2011	Nicolette et al.	
D661,754 S *	6/2012	Cameron et al.	D21/759
D707,771 S *	6/2014	Cameron	D21/759

* cited by examiner

Primary Examiner — Mitchell Siegel

(74) *Attorney, Agent, or Firm* — Randy K. Chang

(57) **CLAIM**

The ornamental design for a sole of a putter head, as shown and described.

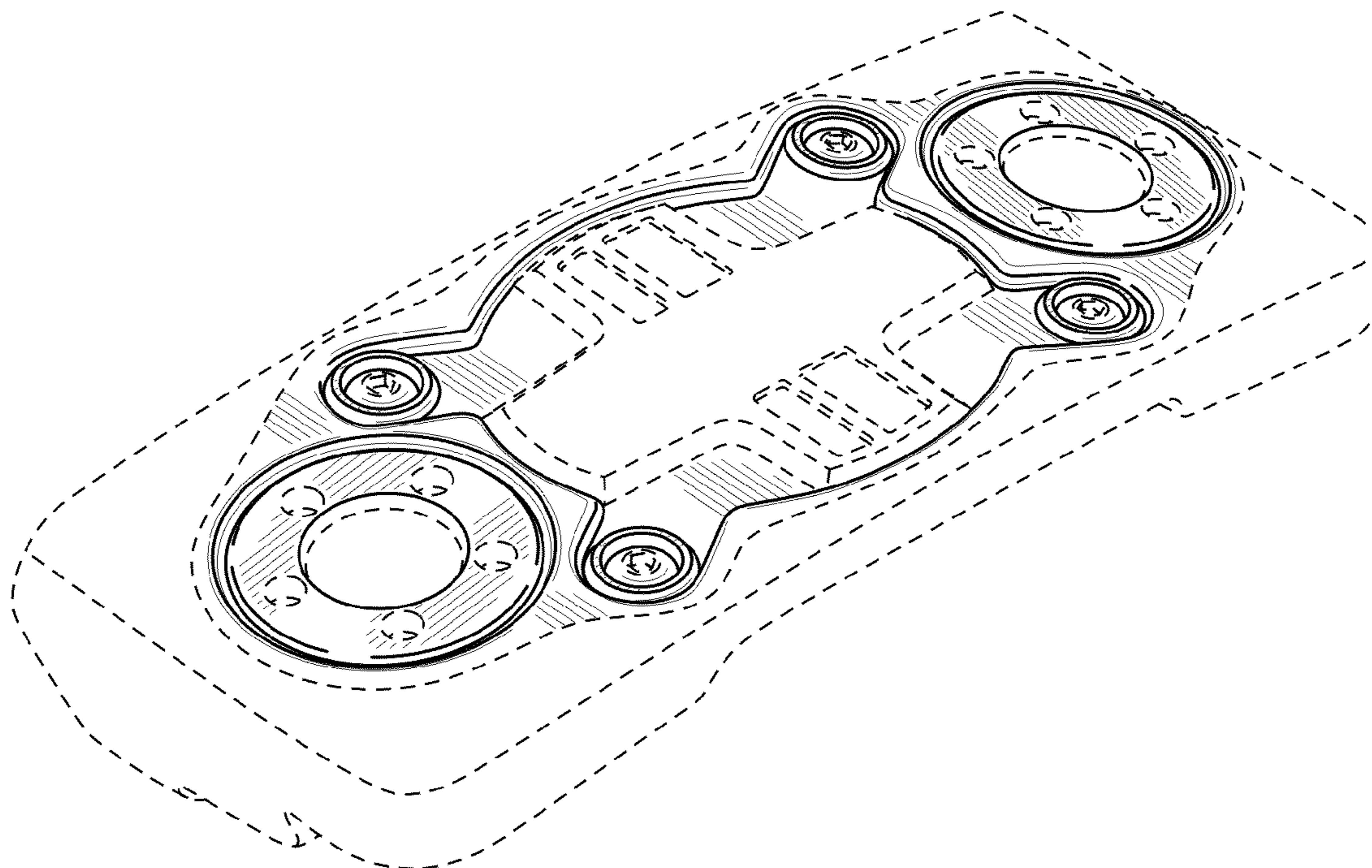
DESCRIPTION

FIG. 1 is a perspective view of a sole of a putter head of my new design; and,

FIG. 2 is a plan view thereof.

The portion of the club head shown in phantom are for illustrative purposes only and do not form any portion of the claimed design.

1 Claim, 1 Drawing Sheet



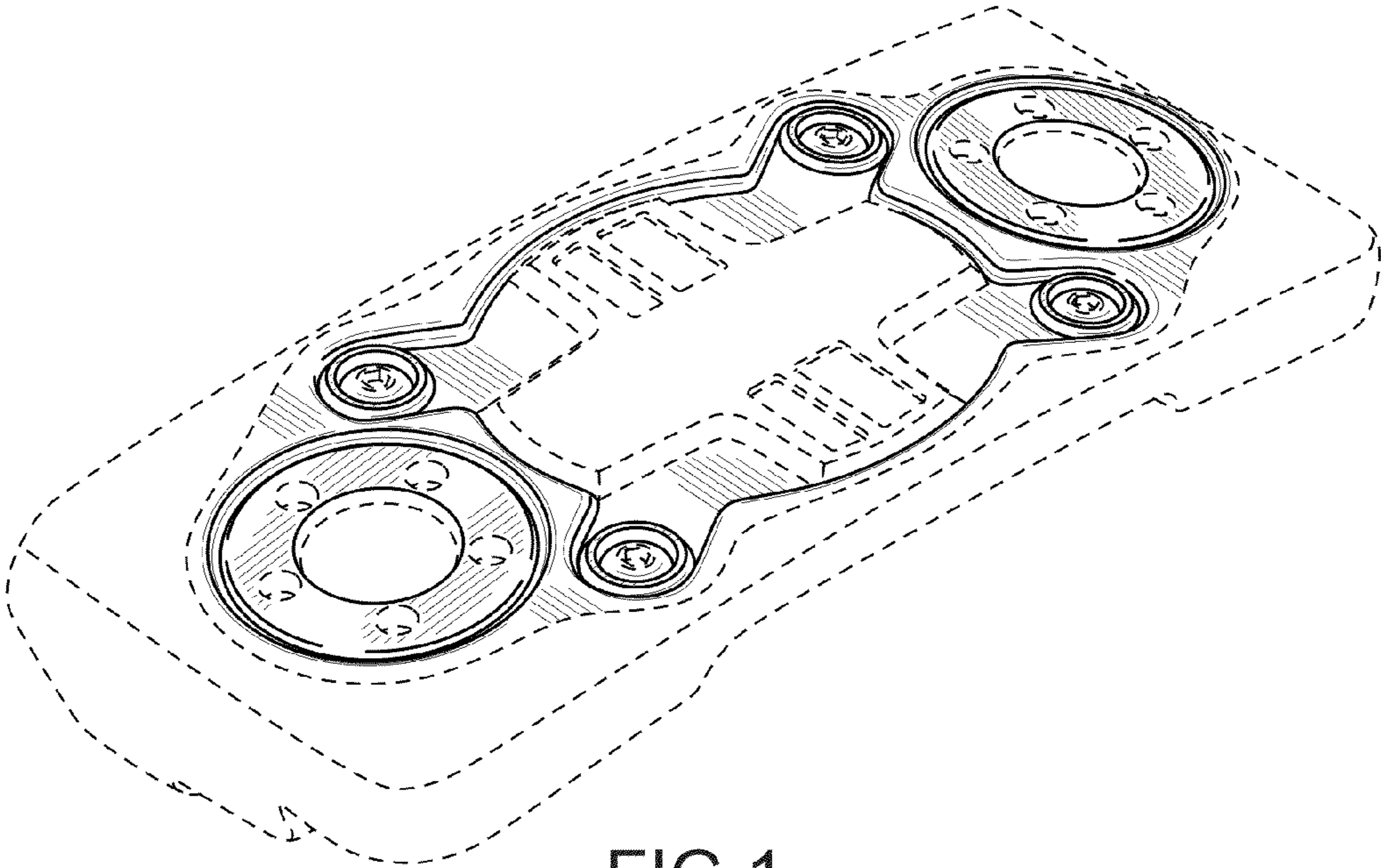


FIG. 1

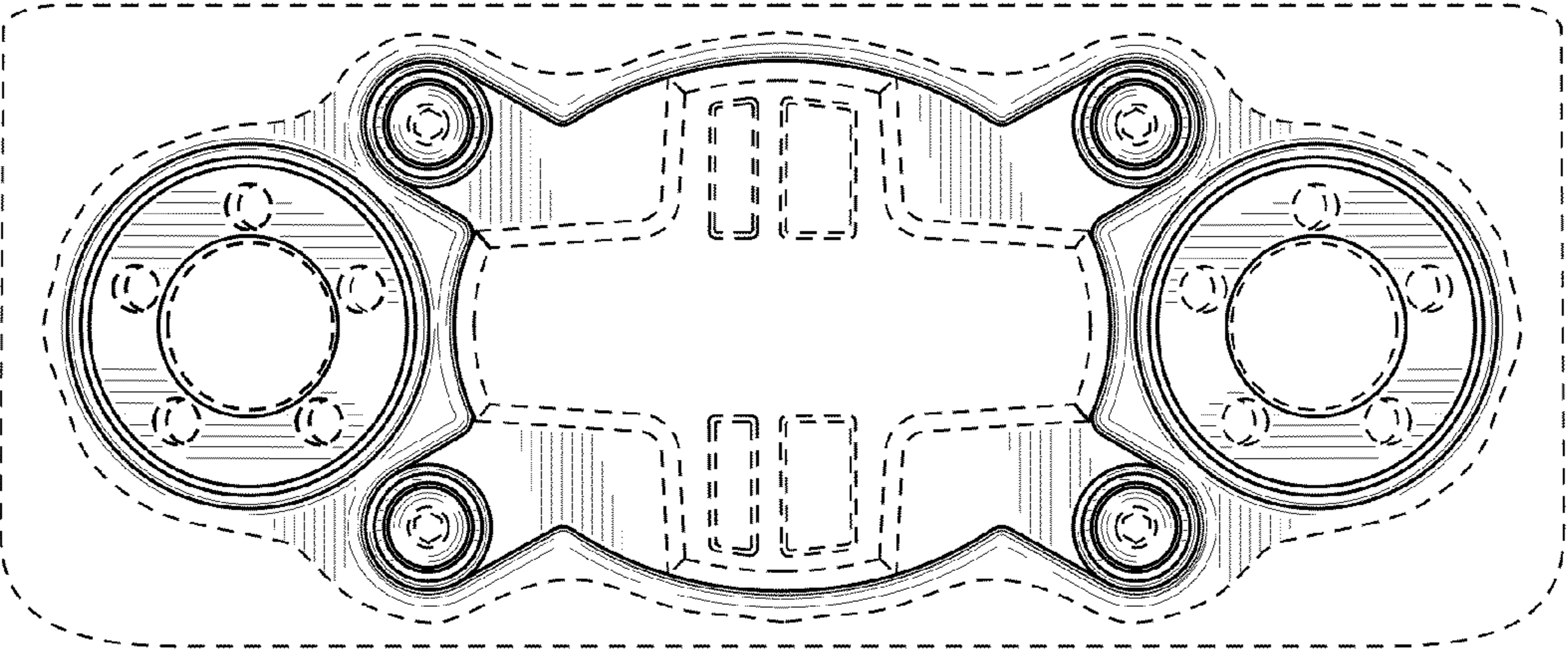


FIG. 2