



US00D730464S

(12) **United States Design Patent**
Cameron

(10) **Patent No.:** **US D730,464 S**

(45) **Date of Patent:** **** May 26, 2015**

(54) **PUTTER HEAD**

(71) Applicant: **Acushnet Company**, Fairhaven, MA
(US)

(72) Inventor: **Don T. Cameron**, Carlsbad, CA (US)

(73) Assignee: **Acushnet Company**, Fairhaven, MA
(US)

(**) Term: **14 Years**

(21) Appl. No.: **29/487,233**

(22) Filed: **Apr. 7, 2014**

(51) **LOC (10) Cl.** **21-02**

(52) **U.S. Cl.**
USPC **D21/743**

(58) **Field of Classification Search**
USPC D21/736-746, 759; 473/324-331,
473/340-341, 251-256
See application file for complete search history.

(56) **References Cited**

U.S. PATENT DOCUMENTS

| | | | |
|---------------|---------|------------------|---------|
| 4,580,784 A | 4/1986 | Brill | |
| 4,741,535 A * | 5/1988 | Leonhardt | 473/252 |
| 4,898,987 A | 2/1990 | Knifton | |
| D323,867 S * | 2/1992 | Rizzotto | D21/740 |
| D350,177 S | 8/1994 | Ramirez et al. | |
| D359,330 S | 6/1995 | Channell | |
| D381,382 S | 7/1997 | Fenton, Jr. | |
| D399,911 S | 10/1998 | Nicolette et al. | |
| 5,997,409 A | 12/1999 | Mattson | |
| D421,471 S | 3/2000 | Moldovan | |
| D436,638 S | 1/2001 | Carrier | |
| 6,270,422 B1 | 8/2001 | Fisher | |
| D457,210 S | 5/2002 | Noda | |
| D478,642 S | 8/2003 | Spino | |
| D500,110 S | 12/2004 | Solheim et al. | |
| D510,396 S * | 10/2005 | Rollinson | D21/759 |
| D512,757 S * | 12/2005 | Cleveland et al. | D21/747 |
| D513,050 S | 12/2005 | Grimaldo | |

| | | | |
|--------------|---------|------------------|---------|
| D530,761 S * | 10/2006 | Evans et al. | D21/752 |
| D532,069 S * | 11/2006 | Tang et al. | D21/752 |
| D532,844 S * | 11/2006 | Rollinson | D21/736 |
| D532,845 S * | 11/2006 | Rollinson | D21/736 |
| D544,933 S * | 6/2007 | Evans et al. | D21/752 |
| D556,278 S * | 11/2007 | Mahaffey et al. | D21/747 |
| D564,607 S * | 3/2008 | Oldknow et al. | D21/736 |
| D573,673 S * | 7/2008 | Noyes | D21/736 |
| D574,908 S * | 8/2008 | Hettinger et al. | D21/743 |
| D577,398 S * | 9/2008 | Hilton | D21/744 |
| 7,431,660 B2 | 10/2008 | Hasegawa | |

(Continued)

FOREIGN PATENT DOCUMENTS

WO 2011078569 A2 6/2011

OTHER PUBLICATIONS

Club Test 2013: High-MOI Mallet Putters.
(Continued)

Primary Examiner — Mitchell Siegel
(74) *Attorney, Agent, or Firm* — Randy K. Chang

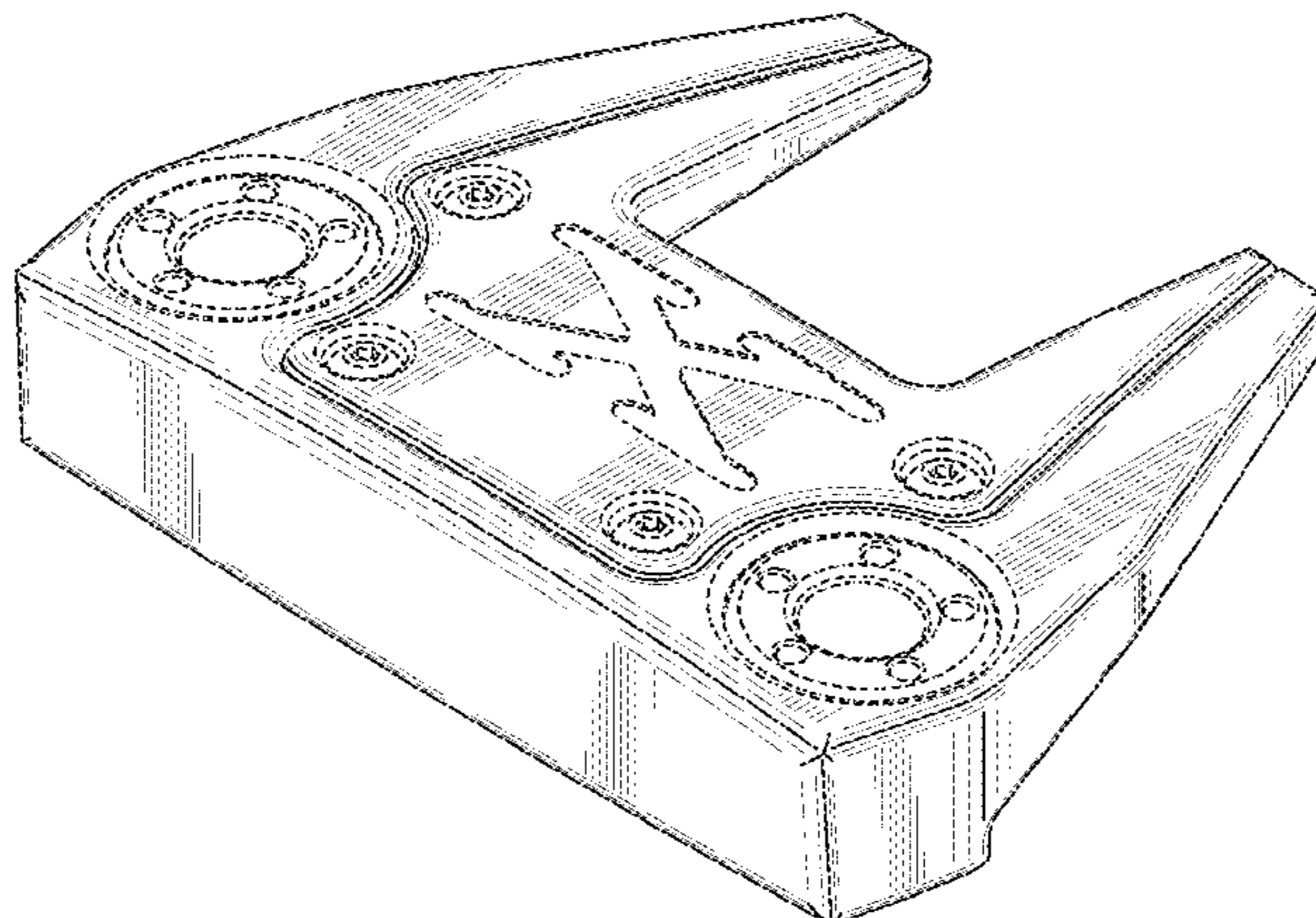
(57) **CLAIM**

The ornamental design for a putter head, as shown and described.

DESCRIPTION

FIG. 1 is a perspective sole view of my new design for a putter head;
FIG. 2 is a toe side view thereof;
FIG. 3 is a bottom view thereof;
FIG. 4 is a heel side view thereof;
FIG. 5 is a back view thereof;
FIG. 6 is a top view thereof; and,
FIG. 7 is a front view thereof.
The portion of the club head shown in phantom are for illustrative purposes only and do not form any portion of the claimed design.

1 Claim, 3 Drawing Sheets



(56)

References Cited

U.S. PATENT DOCUMENTS

D582,497 S * 12/2008 Rollinson D21/744
 D589,575 S * 3/2009 Kim et al. D21/744
 D590,035 S * 4/2009 Hilton D21/744
 D590,461 S * 4/2009 Kim et al. D21/743
 D591,371 S * 4/2009 Hilton D21/736
 D591,807 S * 5/2009 Rollinson D21/744
 D594,917 S * 6/2009 Stellander D21/743
 D595,373 S * 6/2009 Kim et al. D21/744
 D600,761 S * 9/2009 Solheim et al. D21/736
 D603,006 S 10/2009 Foster et al.
 D621,458 S * 8/2010 Serrano et al. D21/736
 7,909,707 B2 3/2011 Klein
 D636,829 S 4/2011 Cardani
 D636,830 S 4/2011 Cardani

D669,145 S 10/2012 Roland
 D670,774 S 11/2012 Seiff
 D688,341 S * 8/2013 Rollinson D21/746
 8,506,415 B2 8/2013 Franklin
 D691,226 S * 10/2013 Hilton et al. D21/746
 D701,274 S 3/2014 Rollinson
 D704,782 S * 5/2014 Rollinson D21/736
 D707,771 S * 6/2014 Cameron D21/759

OTHER PUBLICATIONS

Wilson 2014 Prostaff HL#3 Golf Putter R/H 35".
 2014 Hot List: Mallet Putters.
 Odyssey Golf Metal-X Milled Mallet Putters—2014.
 2012 YES! Golf Putters Spotted.
 The Club Report: Ping Scottsdale TR—New 2014 Models.

* cited by examiner

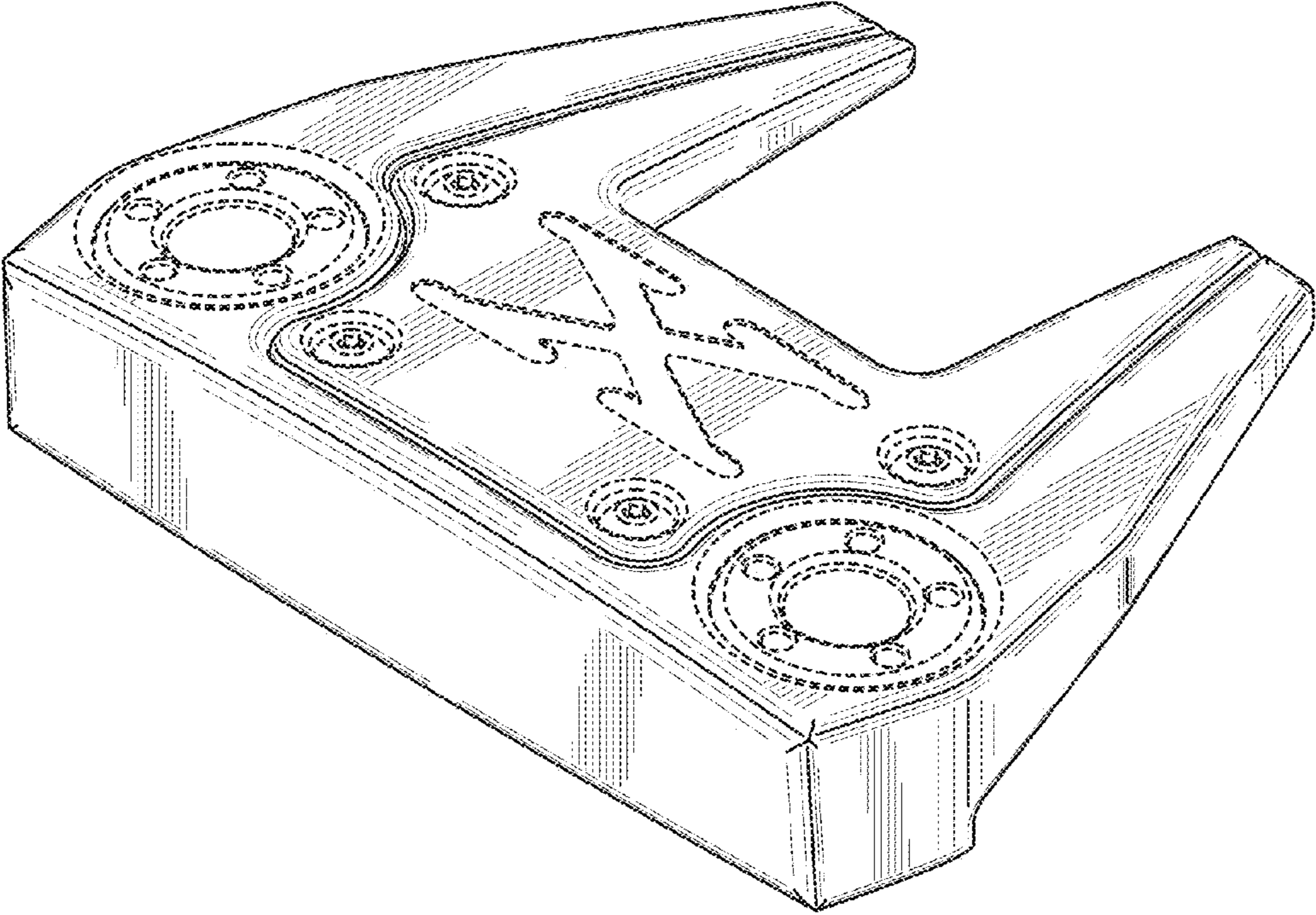


FIG. 1

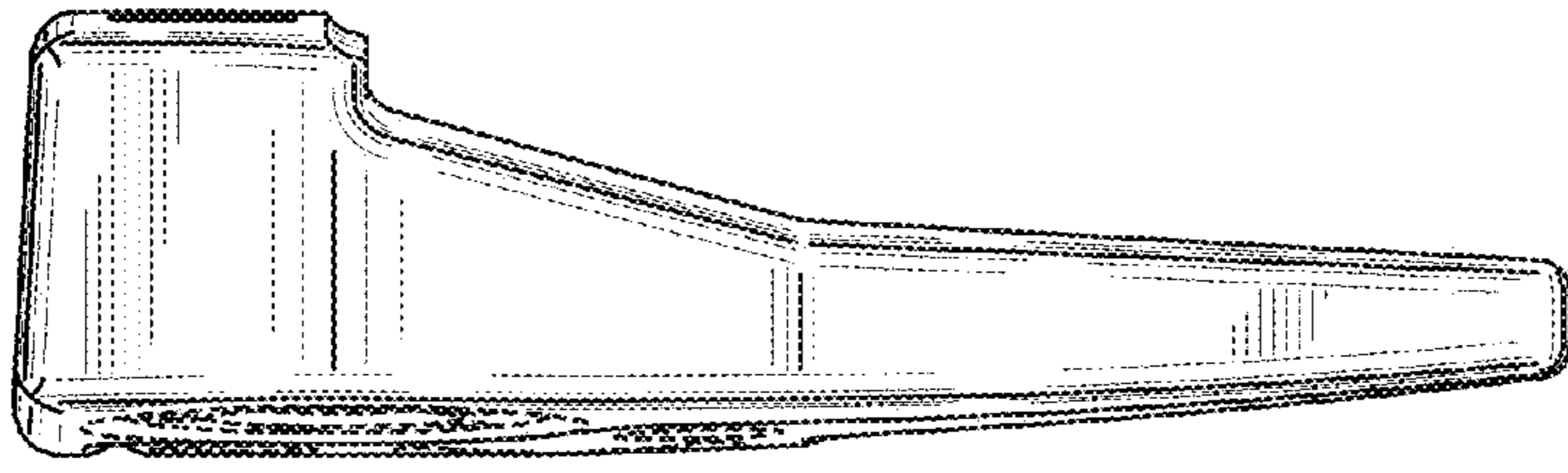


FIG. 4

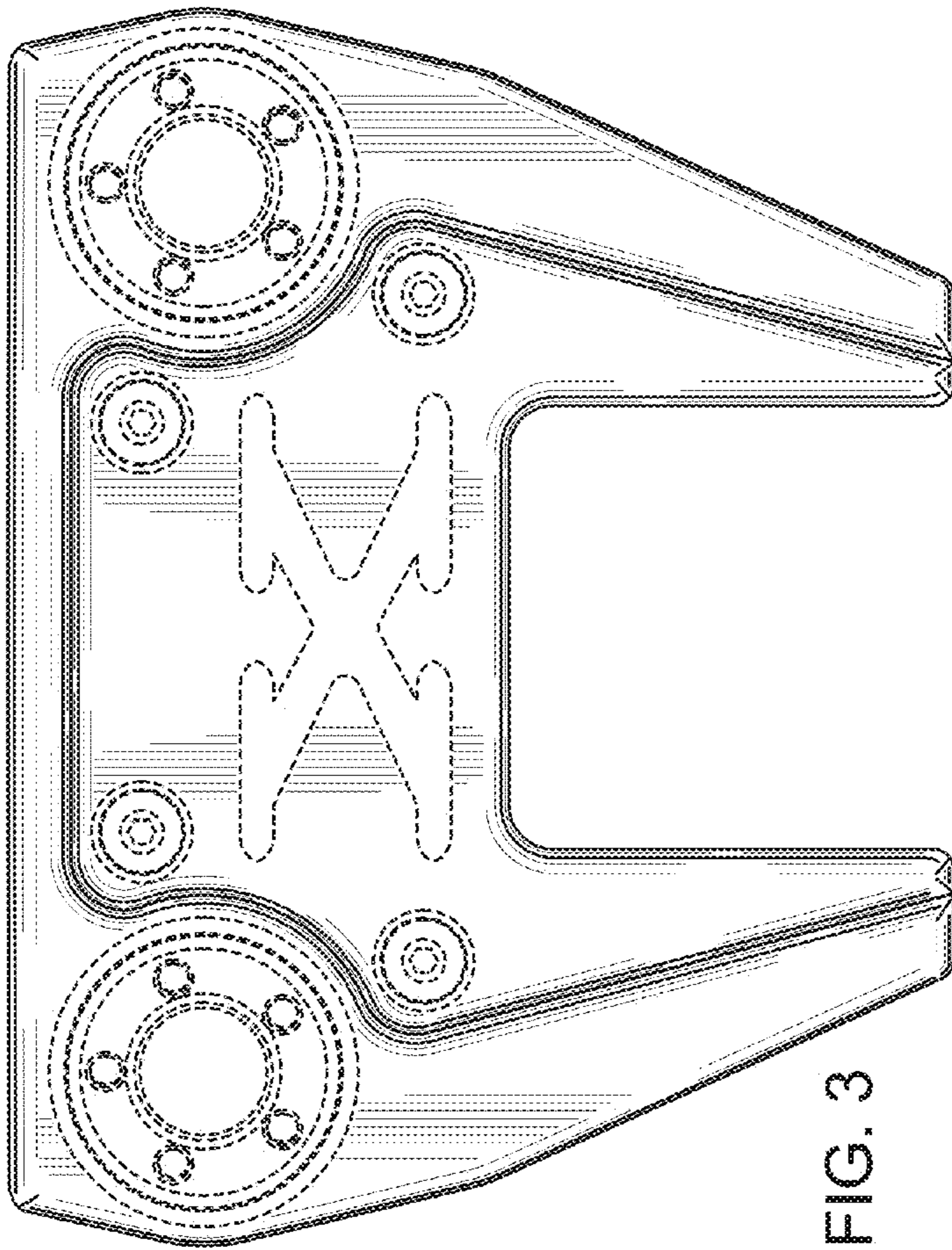


FIG. 3

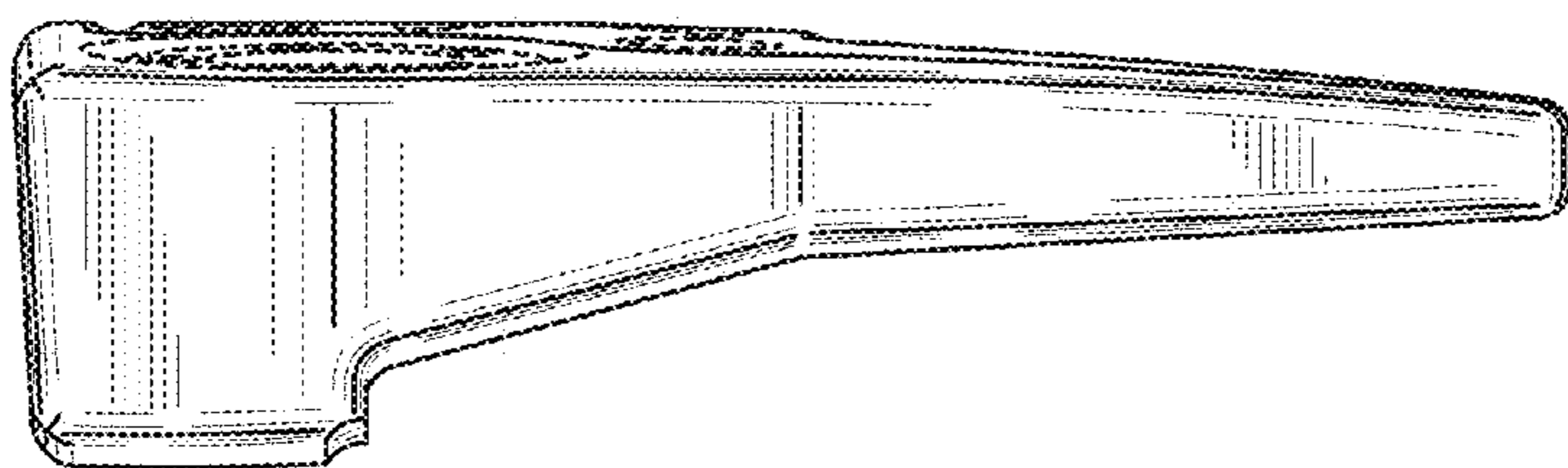


FIG. 2

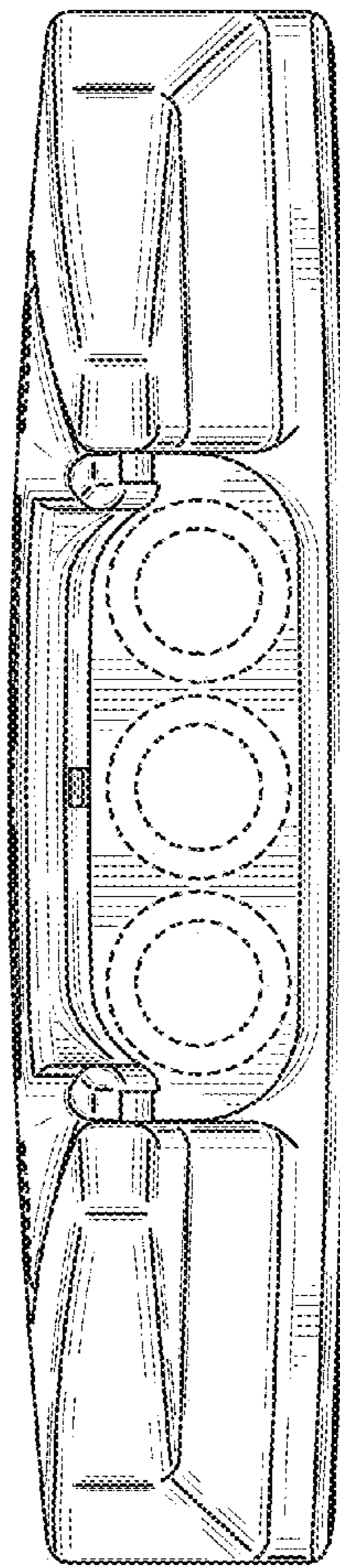


FIG. 5

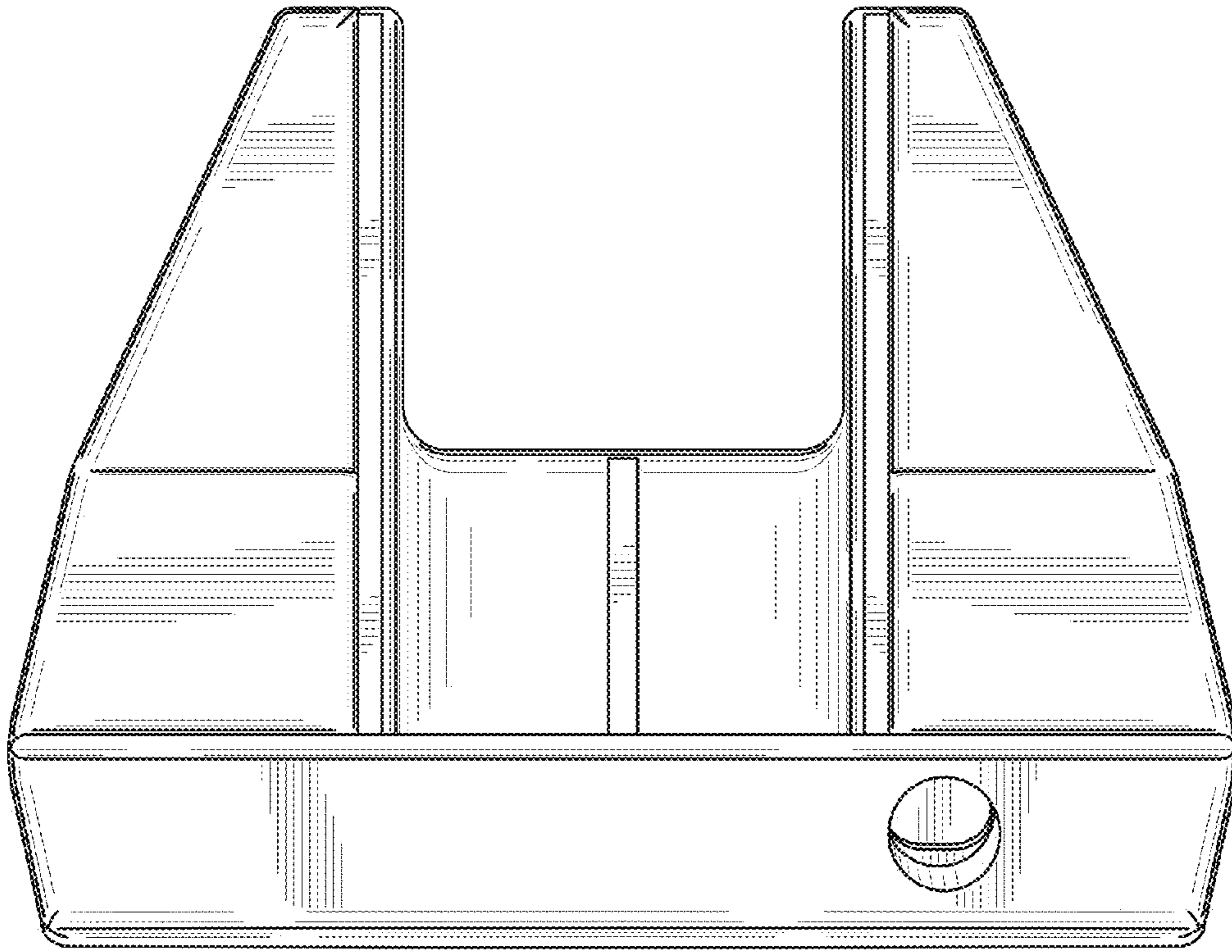


FIG. 6

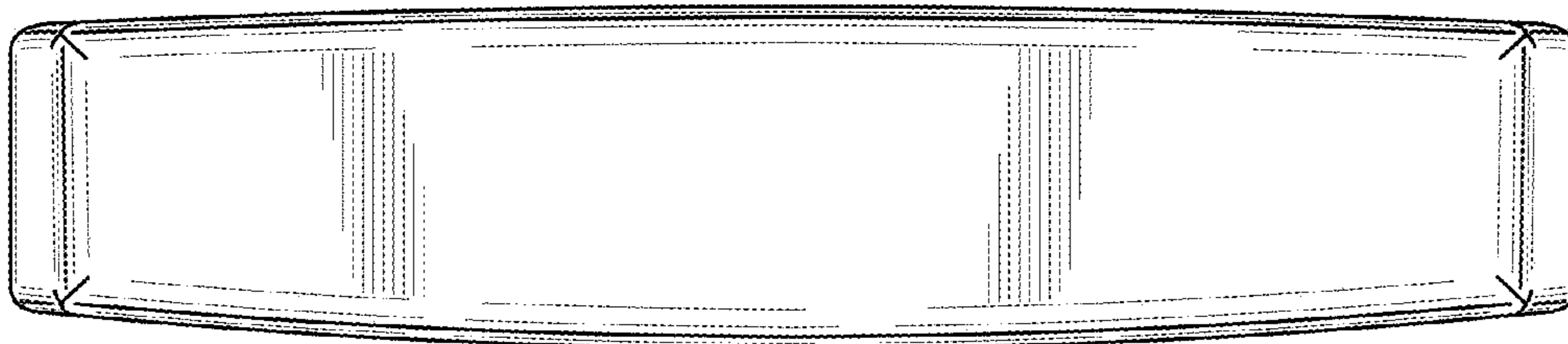


FIG. 7