



US00D730463S

(12) **United States Design Patent**
Dolezel et al.

(10) **Patent No.:** **US D730,463 S**
(45) **Date of Patent:** **** May 26, 2015**

- (54) **GOLF CLUB HEAD**
- (71) Applicant: **DUNLOP SPORTS CO., LTD.**,
Kobe-shi (JP)
- (72) Inventors: **Keith Dolezel**, West Covina, CA (US);
Nick Trahan, Huntington Beach, CA
(US); **Mika Becktor**, Costa Mesa, CA
(US); **Phillip C. Seagram**, Long Beach,
CA (US); **Brian Herr**, Tustin, CA (US);
Tom Carlson, Carlsbad, CA (US)
- (73) Assignee: **Dunlop Sports Co. Ltd.**, Kobe-shi (JP)
- (**) Term: **14 Years**
- (21) Appl. No.: **29/489,521**
- (22) Filed: **Apr. 30, 2014**
- (51) **LOC (10) Cl.** **21-02**
- (52) **U.S. Cl.**
USPC **D21/742**
- (58) **Field of Classification Search**
USPC D21/736-746, 759; 473/324-331,
473/340-341, 251-256
See application file for complete search history.

- D461,860 S 8/2002 Tang
- D461,861 S 8/2002 Tang et al.
- D462,100 S 8/2002 Breier et al.
- D463,002 S 9/2002 Tang et al.
- 6,471,600 B2 10/2002 Tang et al.
- D467,985 S 12/2002 Tang et al.
- D470,904 S 2/2003 Tang et al.
- D471,245 S 3/2003 Tang et al.
- D471,940 S 3/2003 Tang et al.
- D472,594 S * 4/2003 Tang et al. D21/735
- D472,595 S * 4/2003 Tang et al. D21/735
- D481,089 S 10/2003 Breier et al.
- D483,824 S * 12/2003 Tang et al. D21/738
- D485,320 S 1/2004 Breier et al.
- D485,323 S 1/2004 Wagner et al.
- D485,592 S 1/2004 Hettinger et al.
- 6,679,782 B2 1/2004 Tang et al.
- D486,194 S 2/2004 Helmstetter et al.
- D488,200 S 4/2004 Olsavsky et al.
- D496,417 S 9/2004 Tang
- D496,418 S 9/2004 Tang et al.
- 6,793,588 B2 9/2004 Tang et al.
- D505,703 S 5/2005 Fiskari

(Continued)

Primary Examiner — Mitchell Siegel
(74) *Attorney, Agent, or Firm* — Oliff PLC

(57) **CLAIM**

The ornamental design for a golf club head, as shown and described.

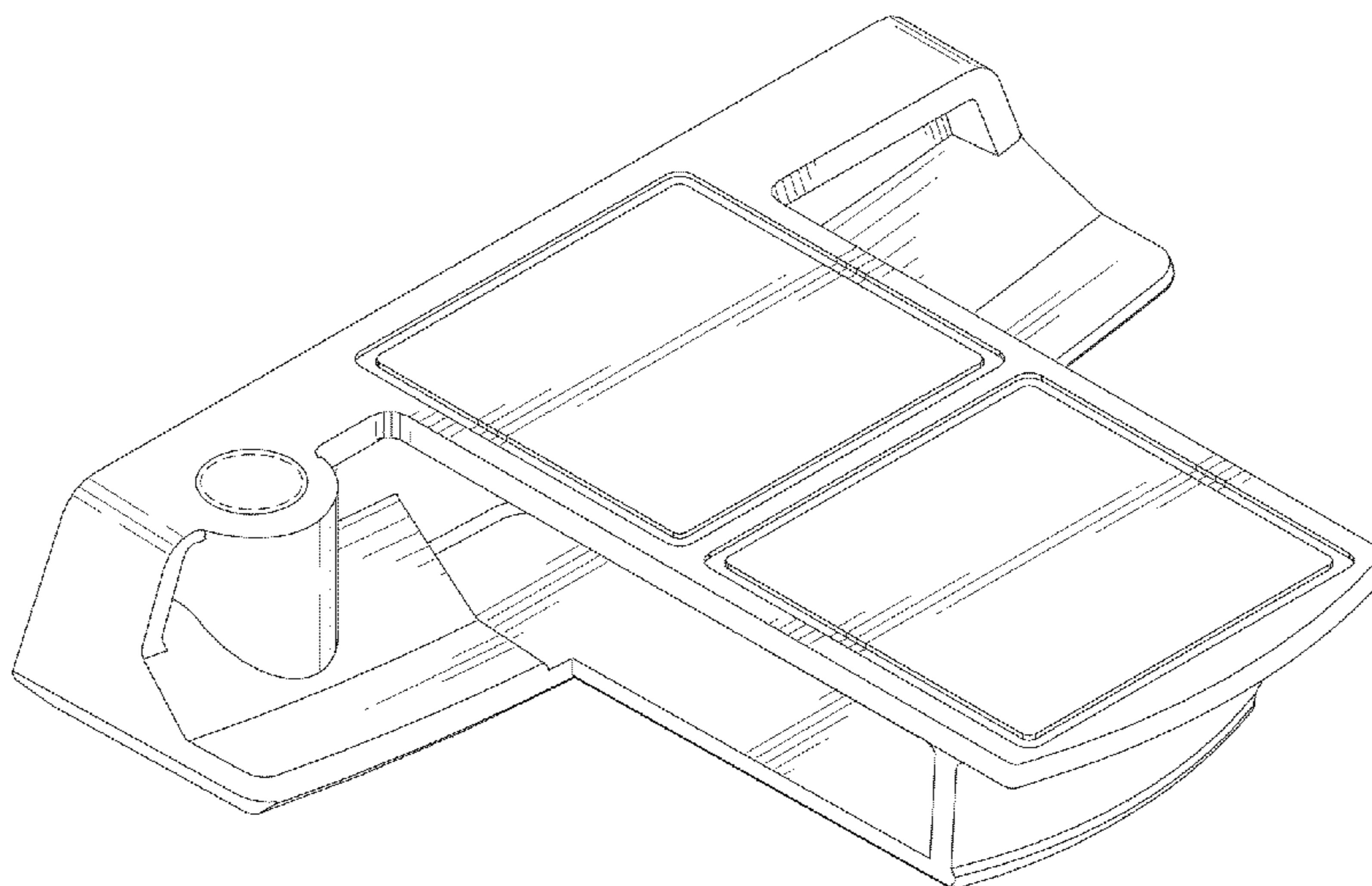
DESCRIPTION

FIG. 1 is a rear perspective view embodying the inventive design;
FIG. 2 is a front elevational view thereof;
FIG. 3 is a rear elevational view thereof;
FIG. 4 is a left-side elevational view thereof;
FIG. 5 is a right-side elevational view thereof;
FIG. 6 is top plan view thereof; and,
FIG. 7 is a bottom plan view thereof.
The broken lines illustrate environmental structure that form no part of the claimed design.

1 Claim, 5 Drawing Sheets

(56) **References Cited**
U.S. PATENT DOCUMENTS

- D317,962 S * 7/1991 Pelz D21/735
- D401,636 S 11/1998 Duclos
- D429,297 S 8/2000 Hettinger
- D441,042 S 4/2001 Hettinger
- D443,320 S 6/2001 Breier et al.
- D443,906 S 6/2001 Hettinger et al.
- 6,273,831 B1 8/2001 Dewanjee
- D447,782 S 9/2001 Hettinger et al.
- D449,085 S 10/2001 Breier et al.
- D457,586 S 5/2002 Tang et al.
- D458,656 S 6/2002 Tang et al.
- D461,514 S 8/2002 Tang et al.
- D461,515 S 8/2002 Tang et al.



(56)

References Cited

U.S. PATENT DOCUMENTS

D506,237 S	6/2005	Byrne et al.	D575,366 S	8/2008	Rollinson
6,905,420 B2	6/2005	Tang et al.	D577,085 S	9/2008	Nicolette et al.
D508,546 S	8/2005	Oldknow	D577,398 S	9/2008	Hilton
D508,723 S	8/2005	Rollinson et al.	D579,995 S	11/2008	Nicolette et al.
6,929,564 B2	8/2005	Olsavsky et al.	D581,477 S	11/2008	Burdick
6,960,140 B2	11/2005	Solheim et al.	D582,497 S	12/2008	Rollinson
6,974,394 B1	12/2005	Tang et al.	D585,511 S *	1/2009	Cameron D21/743
D513,777 S *	1/2006	Cuellar D21/759	D588,657 S	3/2009	Hettinger et al.
D514,182 S	1/2006	Olsavsky et al.	D589,575 S	3/2009	Kim et al.
D515,647 S	2/2006	Morgulis	D590,034 S	4/2009	Foster et al.
D517,143 S	3/2006	Petsel et al.	D590,035 S	4/2009	Hilton
D519,180 S	4/2006	Oldknow	D590,461 S	4/2009	Kim et al.
D520,583 S	5/2006	Rollinson et al.	D590,462 S	4/2009	Hettinger et al.
7,052,411 B2	5/2006	Solheim et al.	D591,371 S	4/2009	Hilton
7,070,516 B2	7/2006	Dewanjee et al.	D591,372 S	4/2009	Tang et al.
7,086,957 B2	8/2006	Solheim et al.	D591,806 S	5/2009	Cameron
D532,066 S	11/2006	Tang	D591,807 S	5/2009	Rollinson
D532,467 S	11/2006	Aguinaldo et al.	D592,717 S	5/2009	Rollinson
D532,844 S	11/2006	Rollinson	D594,517 S	6/2009	Tang et al.
D532,845 S	11/2006	Rollinson	D595,372 S	6/2009	Rollinson
D532,847 S	11/2006	Rollinson	D595,373 S	6/2009	Kim et al.
D533,242 S	12/2006	Tang	7,540,810 B2	6/2009	Hettinger et al.
D533,244 S	12/2006	Kroll, Jr.	D595,793 S	7/2009	Rollinson
D533,613 S	12/2006	Byrne et al.	D599,425 S	9/2009	Laub
D533,913 S	12/2006	Byrne et al.	D603,006 S	10/2009	Foster et al.
7,147,569 B2	12/2006	Tang et al.	D616,513 S	5/2010	Feret
D534,974 S	1/2007	Haack	D619,665 S	7/2010	Rollinson et al.
7,166,036 B2	1/2007	Byrne et al.	D623,251 S *	9/2010	Rollinson D21/744
7,169,061 B2	1/2007	Hou	D625,764 S *	10/2010	Hilton et al. D21/743
D538,865 S *	3/2007	Cameron D21/736	D629,475 S *	12/2010	Rollinson D21/736
7,232,379 B2	6/2007	Riseley	D630,690 S	1/2011	Rollinson
D548,295 S	8/2007	Jertson et al.	D634,801 S	3/2011	Rollinson
D548,296 S *	8/2007	Rollinson D21/744	D635,625 S	4/2011	Rollinson
D549,795 S	8/2007	Rollinson	D638,892 S	5/2011	Hettinger et al.
D552,197 S	10/2007	Wells et al.	D640,341 S	6/2011	Foster et al.
D552,699 S	10/2007	Rollinson	D641,057 S	7/2011	Rollinson
D552,700 S	10/2007	Rollinson	D641,438 S	7/2011	Rollinson
D557,361 S	12/2007	Rollinson	D641,439 S	7/2011	Rollinson et al.
D559,930 S *	1/2008	Cameron D21/746	D641,440 S	7/2011	Hettinger et al.
D561,282 S	2/2008	Rollinson	D641,441 S	7/2011	Hilton et al.
D562,926 S	2/2008	Roberts et al.	D641,442 S	7/2011	Rollinson
D564,606 S	3/2008	Oldknow et al.	D641,814 S	7/2011	Hilton et al.
7,344,451 B2	3/2008	Tang et al.	D641,815 S *	7/2011	Rollinson et al. D21/744
D565,681 S	4/2008	Tanaka	D641,816 S	7/2011	Rollinson et al.
D568,427 S	5/2008	Nguyen et al.	D650,459 S	12/2011	Rollinson
D569,462 S	5/2008	Rollinson	2,946,037 A1	7/2013	Trahan
D571,878 S	6/2008	Jones et al.	2,946,038 A1	7/2013	Trahan
D572,331 S	7/2008	Oldknow et al.	D701,276 S *	3/2014	Izatt D21/759
D572,780 S	7/2008	Rollinson	D709,971 S *	7/2014	Trahan et al. D21/759
D573,673 S	7/2008	Noyes	D709,972 S *	7/2014	Trahan et al. D21/759
D574,908 S	8/2008	Hettinger et al.	D709,973 S *	7/2014	Trahan et al. D21/759
			2010/0173720 A1	7/2010	Kim

* cited by examiner

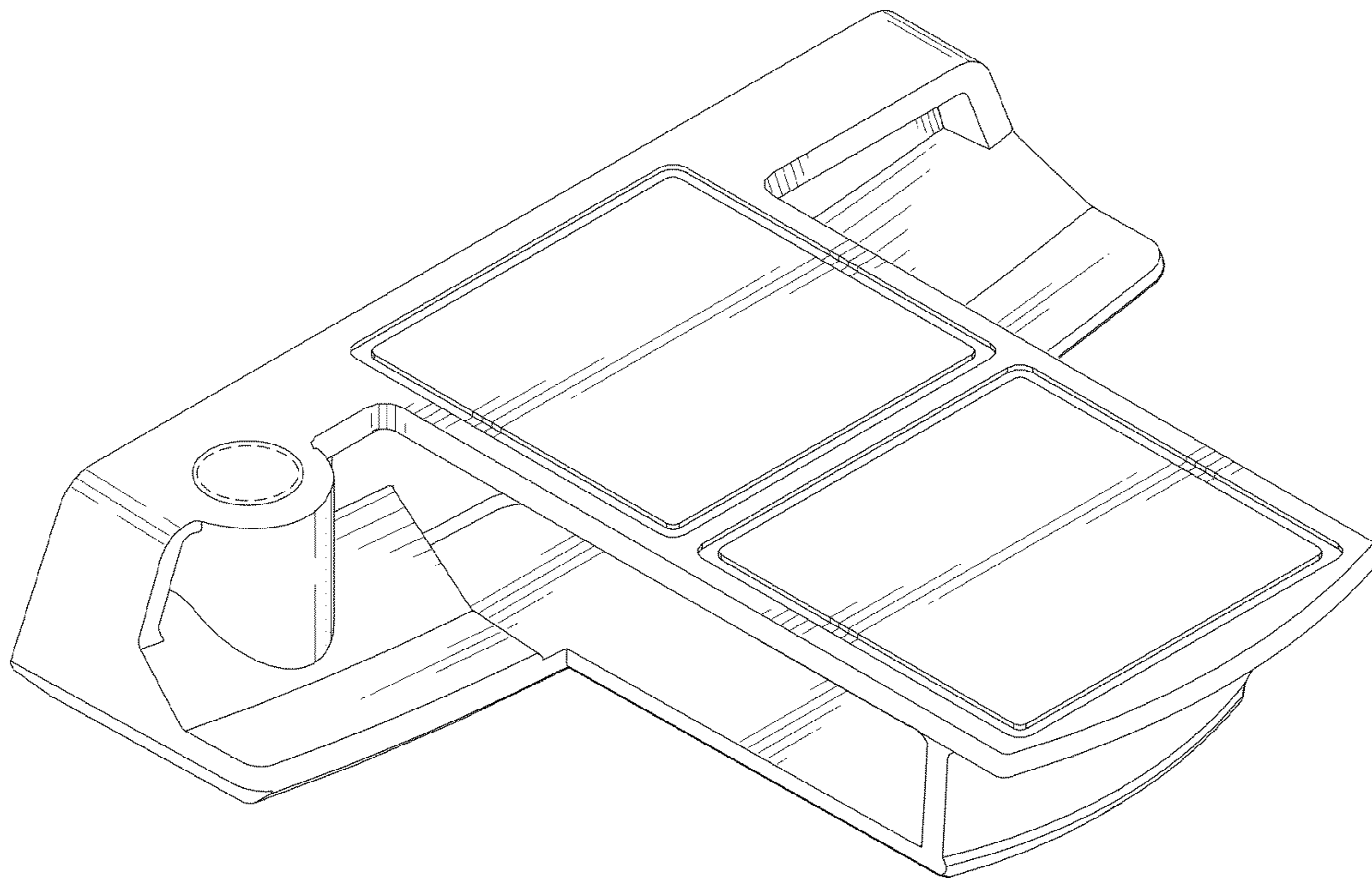


FIG. 1

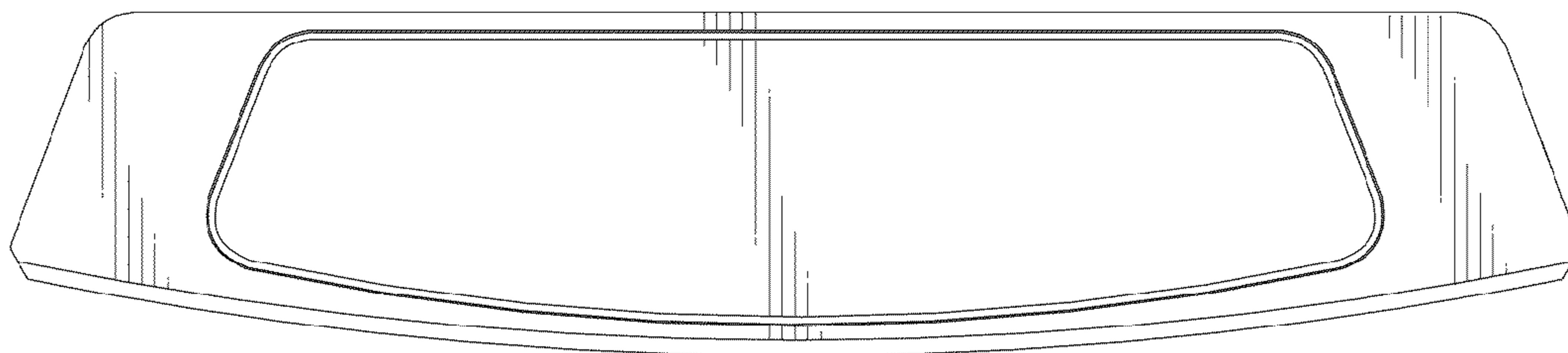


FIG. 2

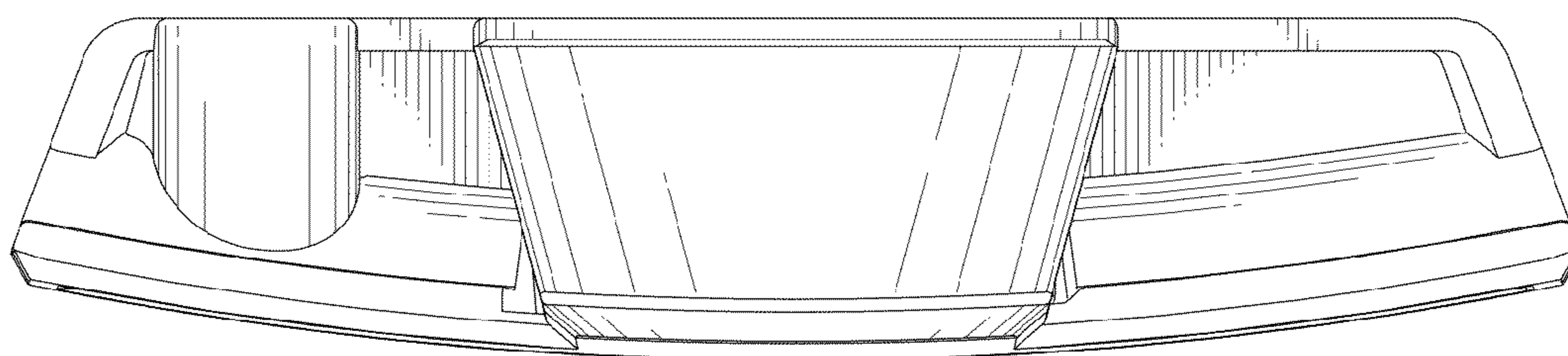


FIG. 3

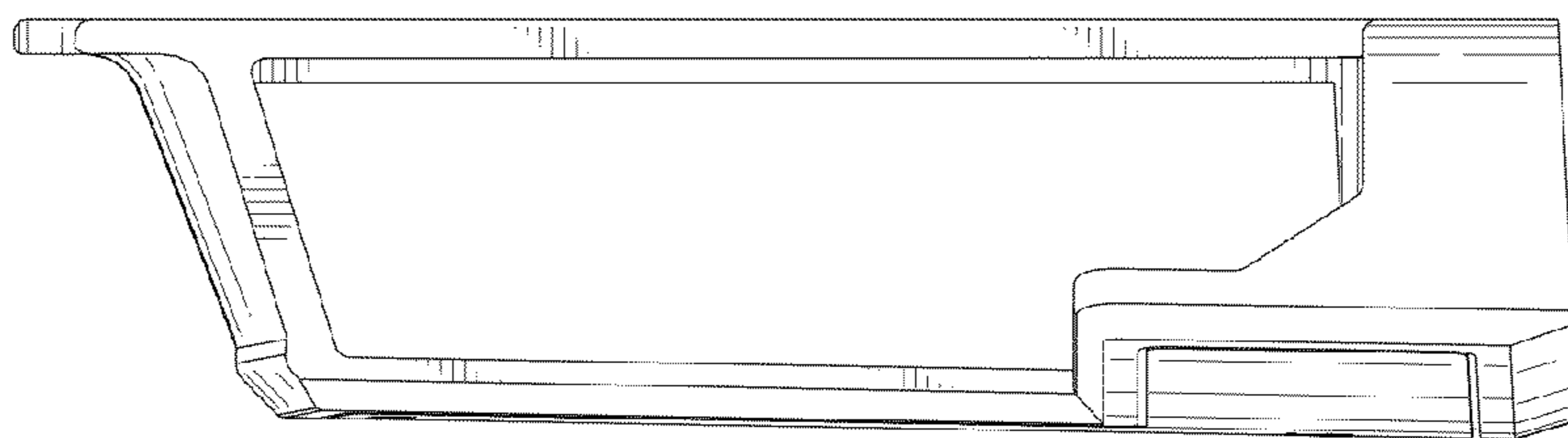


FIG. 4

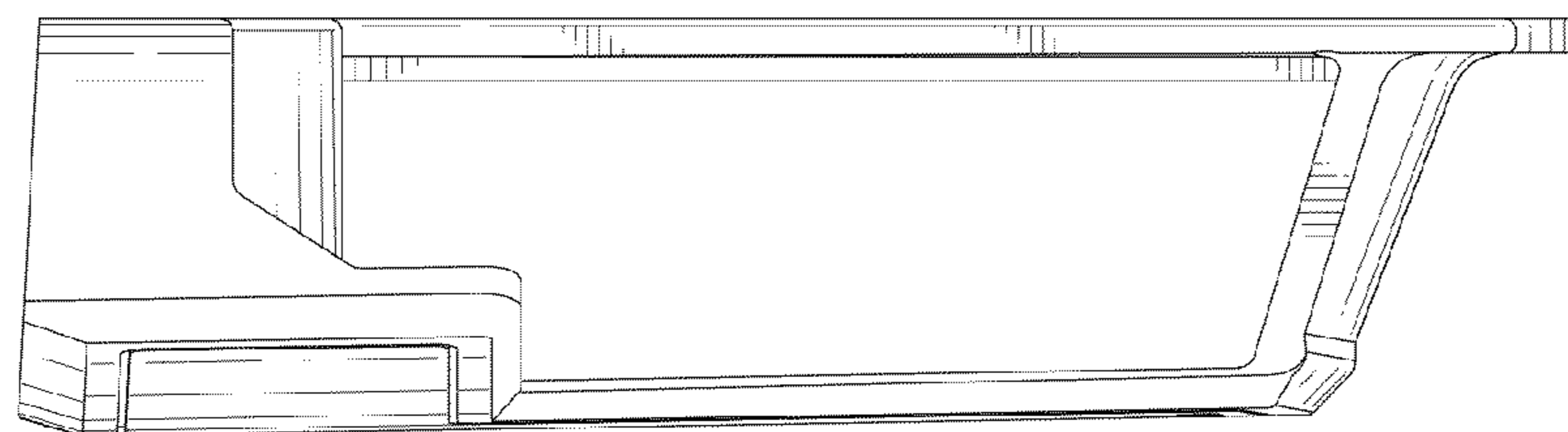


FIG. 5

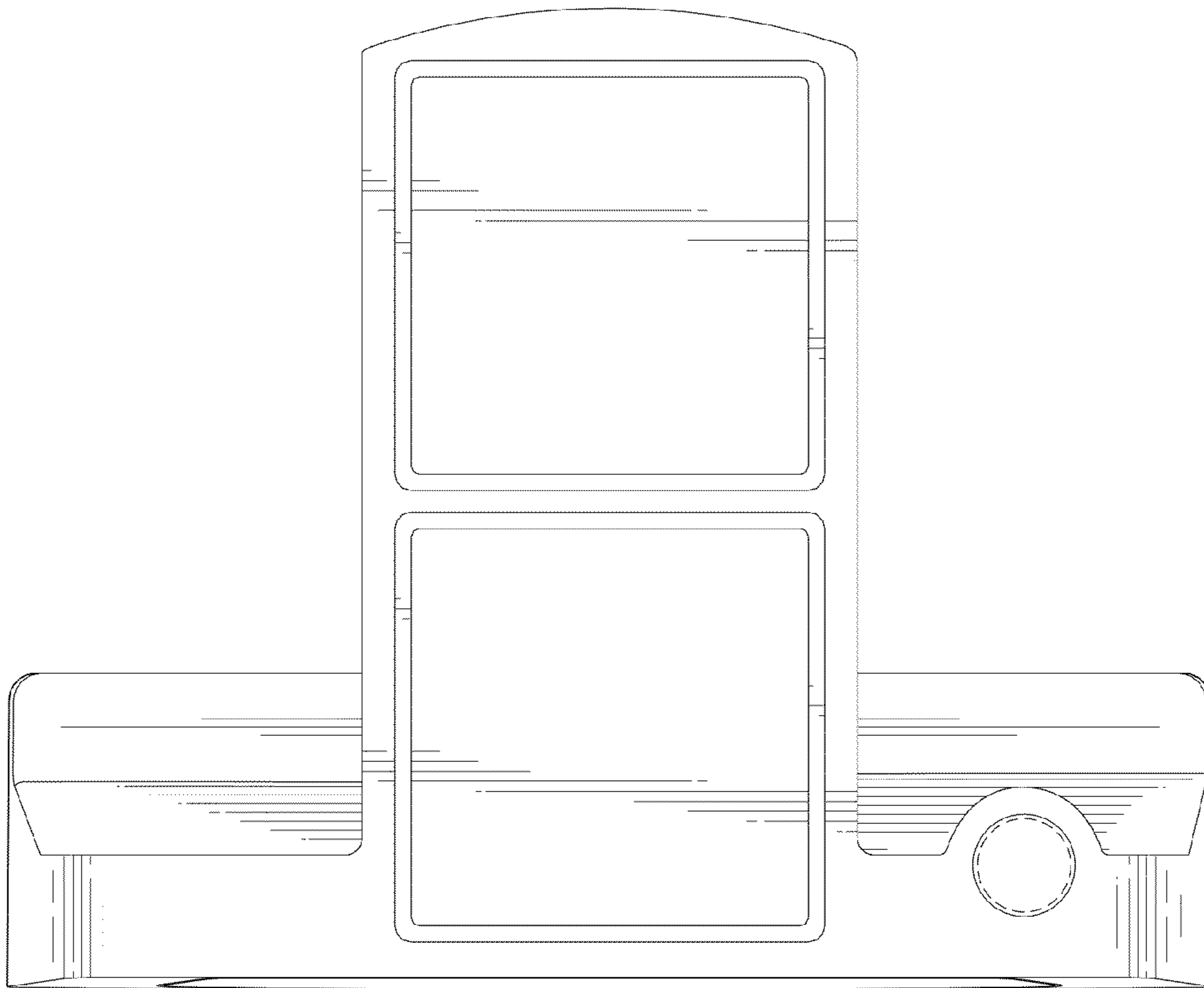


FIG. 6

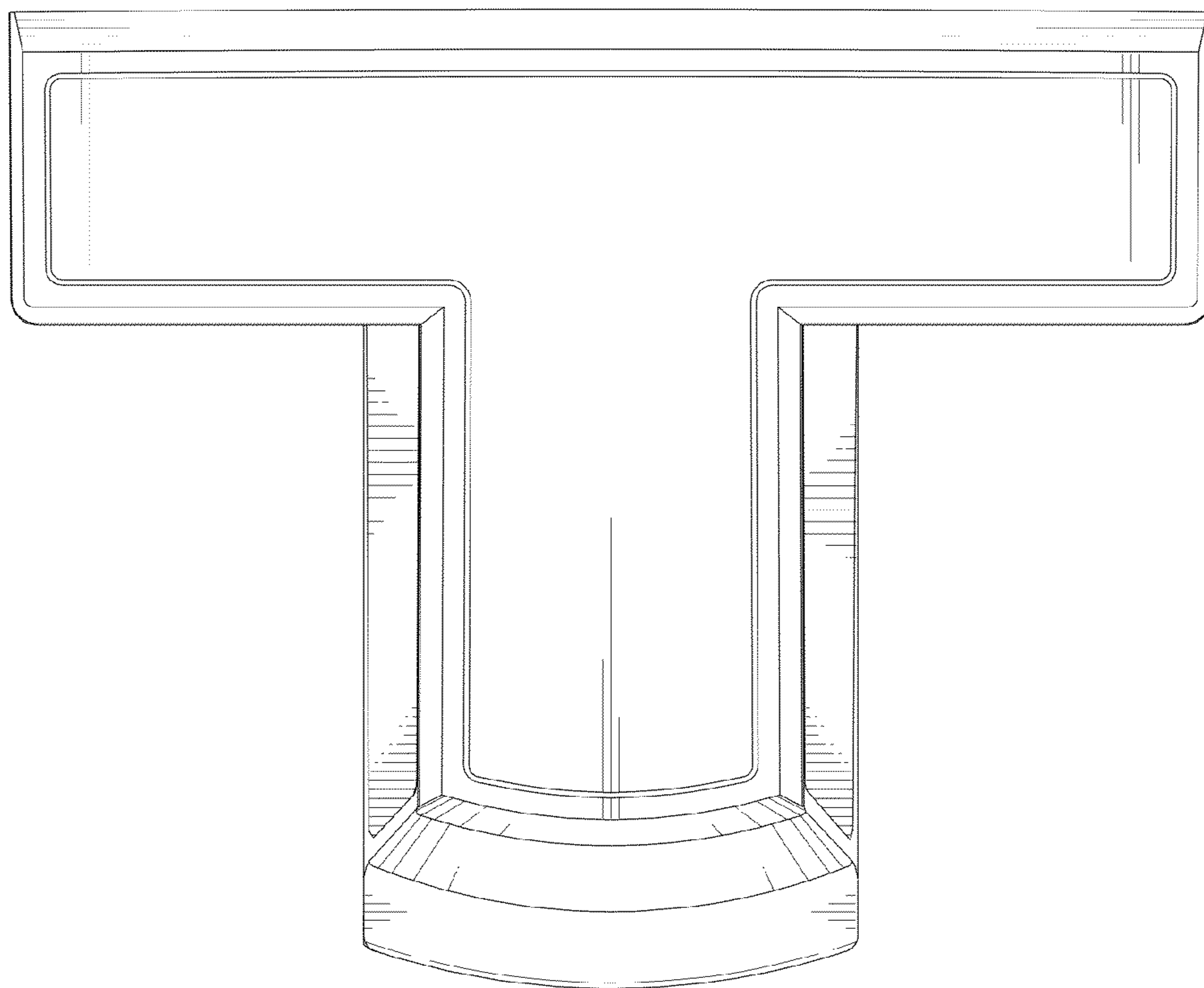


FIG. 7