



US00D730462S

(12) **United States Design Patent**
Becktor et al.

(10) **Patent No.:** **US D730,462 S**
(45) **Date of Patent:** **** May 26, 2015**

- (54) **GOLF CLUB HEAD**
- (71) Applicant: **Dunlop Sports Company, LTD.**, Kobe (JP)
- (72) Inventors: **Mika Becktor**, Costa Mesa (SE); **Nick Trahan**, Huntington Beach, CA (US)
- (73) Assignee: **Dunlop Sports Co. Ltd.**, Kobe-shi (JP)
- (**) Term: **14 Years**
- (21) Appl. No.: **29/489,516**
- (22) Filed: **Apr. 30, 2014**
- (51) **LOC (10) Cl.** **21-02**
- (52) **U.S. Cl.**
USPC **D21/742**
- (58) **Field of Classification Search**
USPC D21/736-746, 759; 473/324-331,
473/340-341, 251-256
See application file for complete search history.

- D470,904 S 2/2003 Tang et al.
- D471,245 S 3/2003 Tang et al.
- D471,940 S 3/2003 Tang et al.
- D472,594 S 4/2003 Tang et al.
- D472,595 S 4/2003 Tang et al.
- D481,089 S 10/2003 Breier et al.
- D485,320 S 1/2004 Breier et al.
- D485,323 S 1/2004 Wagner et al.
- D485,592 S 1/2004 Hettinger et al.
- 6,679,782 B2 1/2004 Tang et al.
- D486,194 S 2/2004 Helmstetter et al.
- D488,200 S 4/2004 Olsavsky et al.
- D496,417 S 9/2004 Tang
- D496,418 S 9/2004 Tang et al.
- 6,793,588 B2 9/2004 Tang et al.
- D505,703 S 5/2005 Fiskari

(Continued)

OTHER PUBLICATIONS

U.S. Appl. No. 29/460,373, filed Jul. 10, 2013, Trahan.

(Continued)

Primary Examiner — Mitchell Siegel
(74) *Attorney, Agent, or Firm* — Oliff PLC

(56) **References Cited**
U.S. PATENT DOCUMENTS

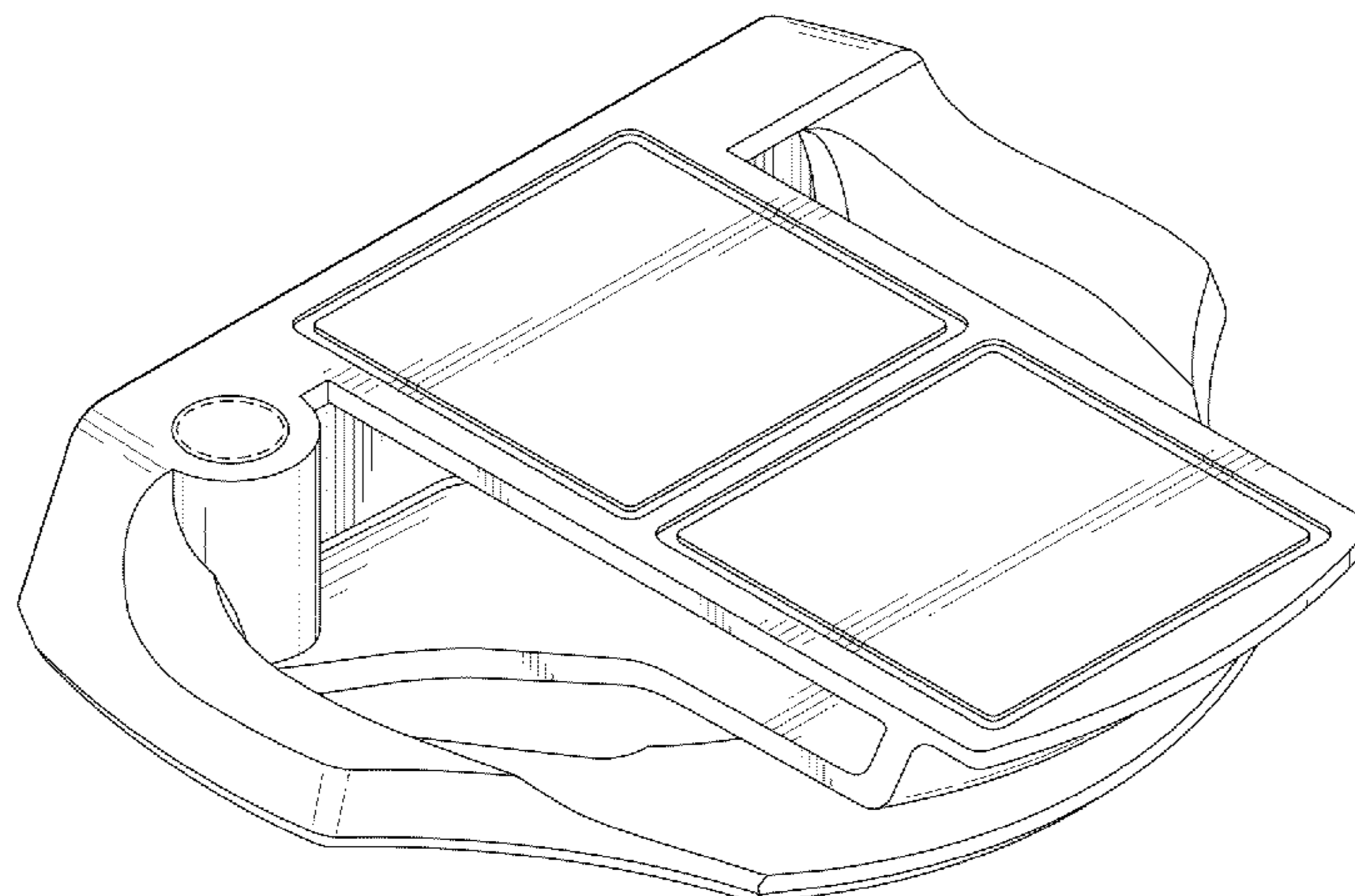
- D401,636 S 11/1998 Duclos
- D429,297 S 8/2000 Hettinger
- D441,042 S 4/2001 Hettinger
- D443,320 S 6/2001 Breier et al.
- D443,906 S 6/2001 Hettinger et al.
- 6,273,831 B1 8/2001 Dewanjee
- D447,782 S 9/2001 Hettinger et al.
- D449,085 S 10/2001 Breier et al.
- D457,586 S 5/2002 Tang et al.
- D458,656 S 6/2002 Tang et al.
- D461,514 S 8/2002 Tang et al.
- D461,515 S 8/2002 Tang et al.
- D461,860 S 8/2002 Tang
- D461,861 S 8/2002 Tang et al.
- D462,100 S 8/2002 Breier et al.
- D463,002 S 9/2002 Tang et al.
- 6,471,600 B2 10/2002 Tang et al.
- D467,985 S 12/2002 Tang et al.

(57) **CLAIM**
The ornamental design for a golf club head, as shown and described.

DESCRIPTION

FIG. 1 is a rear perspective view embodying the inventive design;
FIG. 2 is a front elevational view thereof;
FIG. 3 is a rear elevational view thereof;
FIG. 4 is a left-side elevational view thereof;
FIG. 5 is a right-side elevational view thereof;
FIG. 6 is top plan view thereof; and,
FIG. 7 is a bottom plan view thereof.
The broken lines illustrate environmental structure that form no part of the claimed design.

1 Claim, 5 Drawing Sheets



(56)

References Cited

U.S. PATENT DOCUMENTS

D506,237 S 6/2005 Byrne et al.
 6,905,420 B2 6/2005 Tang et al.
 D508,546 S 8/2005 Oldknow
 D508,723 S 8/2005 Rollinson et al.
 6,929,564 B2 8/2005 Olsavsky et al.
 6,960,140 B2 11/2005 Solheim et al.
 6,974,394 B1 12/2005 Tang et al.
 D513,777 S * 1/2006 Cuellar D21/759
 D514,182 S 1/2006 Olsavsky et al.
 D515,647 S 2/2006 Morgulis
 D517,143 S 3/2006 Petsel et al.
 D519,180 S 4/2006 Oldknow
 D520,583 S 5/2006 Rollinson et al.
 7,052,411 B2 5/2006 Solheim et al.
 7,070,516 B2 7/2006 Dewanjee et al.
 7,086,957 B2 8/2006 Solheim et al.
 D532,066 S 11/2006 Tang
 D532,467 S 11/2006 Aguinaldo et al.
 D532,844 S 11/2006 Rollinson
 D532,845 S 11/2006 Rollinson
 D532,847 S 11/2006 Rollinson
 D533,242 S 12/2006 Tang
 D533,244 S 12/2006 Kroll, Jr.
 D533,613 S 12/2006 Byrne et al.
 D533,913 S 12/2006 Byrne et al.
 7,147,569 B2 12/2006 Tang et al.
 D534,974 S 1/2007 Haack
 7,166,036 B2 1/2007 Byrne et al.
 7,169,061 B2 1/2007 Hou
 7,232,379 B2 6/2007 Riseley
 D548,295 S 8/2007 Jertson et al.
 D548,296 S 8/2007 Rollinson et al.
 D549,795 S 8/2007 Rollinson
 D552,197 S 10/2007 Wells et al.
 D552,699 S 10/2007 Rollinson
 D552,700 S 10/2007 Rollinson
 D557,361 S 12/2007 Rollinson
 D561,282 S 2/2008 Rollinson
 D562,926 S 2/2008 Roberts et al.
 D564,606 S 3/2008 Oldknow et al.
 7,344,451 B2 3/2008 Tang et al.
 D565,681 S 4/2008 Tanaka
 D568,427 S 5/2008 Nguyen et al.
 D569,462 S 5/2008 Rollinson
 D571,878 S 6/2008 Jones et al.
 D571,879 S * 6/2008 Jones et al. D21/736
 D572,331 S 7/2008 Oldknow et al.
 D572,780 S 7/2008 Rollinson
 D573,673 S 7/2008 Noyes
 D574,907 S * 8/2008 Jones et al. D21/736
 D574,908 S 8/2008 Hettinger et al.
 D575,366 S * 8/2008 Rollinson D21/744
 D577,085 S 9/2008 Nicolette et al.
 D577,398 S 9/2008 Hilton

D579,995 S 11/2008 Nicolette et al.
 D581,477 S 11/2008 Burdick
 D582,497 S 12/2008 Rollinson
 D588,657 S 3/2009 Hettinger et al.
 D589,575 S 3/2009 Kim et al.
 D590,034 S 4/2009 Foster et al.
 D590,035 S 4/2009 Hilton
 D590,461 S 4/2009 Kim et al.
 D590,462 S 4/2009 Hettinger et al.
 D591,371 S 4/2009 Hilton
 D591,372 S 4/2009 Tang et al.
 D591,806 S 5/2009 Cameron
 D591,807 S 5/2009 Rollinson
 D592,717 S * 5/2009 Rollinson D21/742
 D594,517 S 6/2009 Tang et al.
 D595,372 S 6/2009 Rollinson
 D595,373 S 6/2009 Kim et al.
 7,540,810 B2 6/2009 Hettinger et al.
 D595,793 S * 7/2009 Rollinson D21/736
 D599,425 S 9/2009 Laub
 D603,006 S 10/2009 Foster et al.
 D616,513 S 5/2010 Feret
 D619,665 S 7/2010 Rollinson et al.
 D621,891 S * 8/2010 Serrano et al. D21/742
 D623,710 S * 9/2010 Hilton et al. D21/743
 D629,476 S * 12/2010 Serrano et al. D21/742
 D630,690 S * 1/2011 Rollinson D21/746
 D634,801 S 3/2011 Rollinson
 D635,625 S 4/2011 Rollinson
 D638,892 S 5/2011 Hettinger et al.
 D640,341 S 6/2011 Foster et al.
 D641,057 S 7/2011 Rollinson
 D641,438 S 7/2011 Rollinson
 D641,439 S 7/2011 Rollinson et al.
 D641,440 S 7/2011 Hettinger et al.
 D641,441 S 7/2011 Hilton et al.
 D641,442 S 7/2011 Rollinson
 D641,814 S 7/2011 Hilton et al.
 D641,815 S 7/2011 Rollinson et al.
 D641,816 S 7/2011 Rollinson et al.
 D643,080 S * 8/2011 Serrano et al. D21/742
 D643,485 S * 8/2011 Nicolette et al. D21/736
 D643,487 S * 8/2011 Serrano et al. D21/742
 D650,459 S * 12/2011 Rollinson D21/746
 D709,971 S * 7/2014 Trahan et al. D21/759
 D709,972 S * 7/2014 Trahan et al. D21/759
 D709,973 S * 7/2014 Trahan et al. D21/759
 2009/0029800 A1 * 1/2009 Jones et al. 473/346
 2010/0173720 A1 7/2010 Kim

OTHER PUBLICATIONS

U.S. Appl. No. 29/460,374, filed Jul. 10, 2013, Trahan.
 U.S. Appl. No. 29/460,376, filed Jul. 10, 2013, Trahan.
 U.S. Appl. No. 29/460,378, filed Jul. 10, 2013, Trahan.
 U.S. Appl. No. 29/460,383, filed Jul. 10, 2013, Trahan.

* cited by examiner

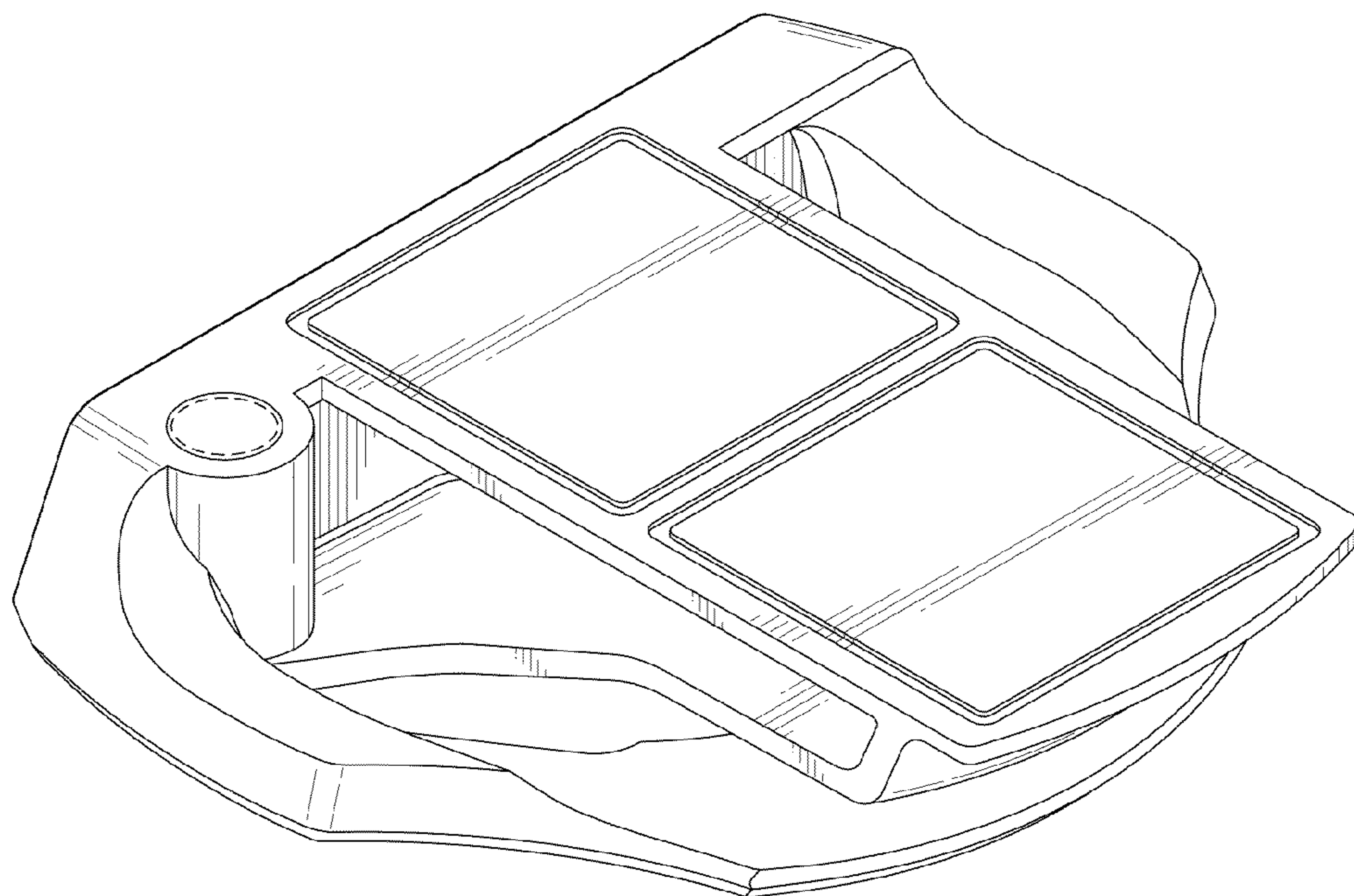


FIG. 1



FIG. 2

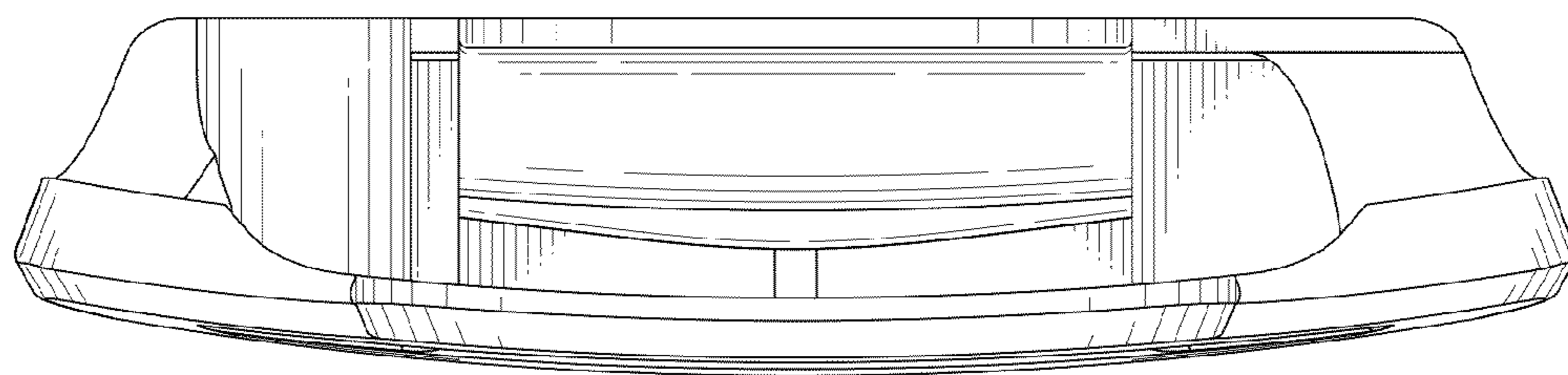


FIG. 3

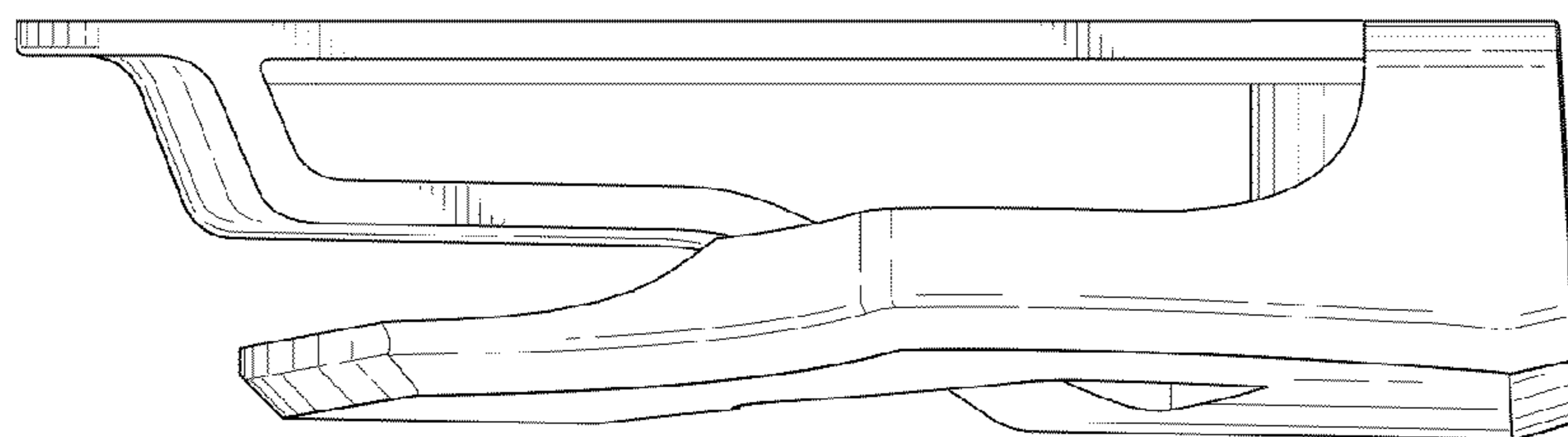


FIG. 4

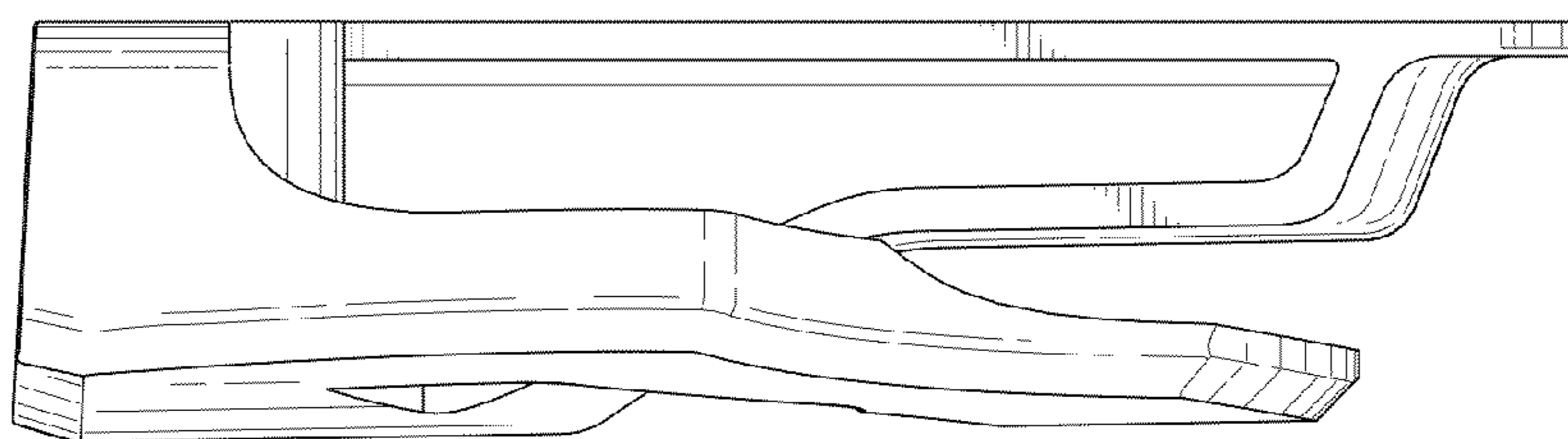


FIG. 5

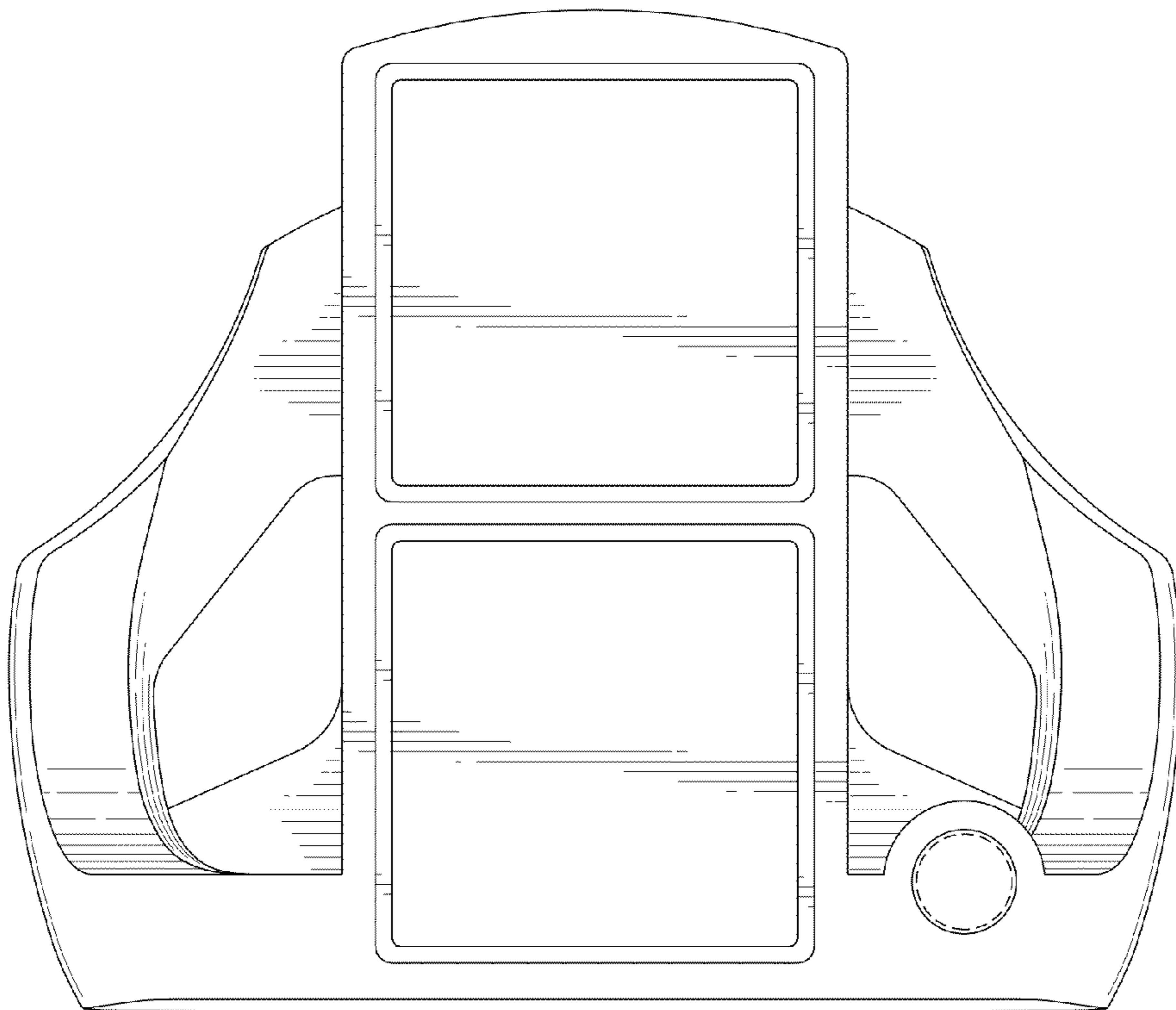


FIG. 6

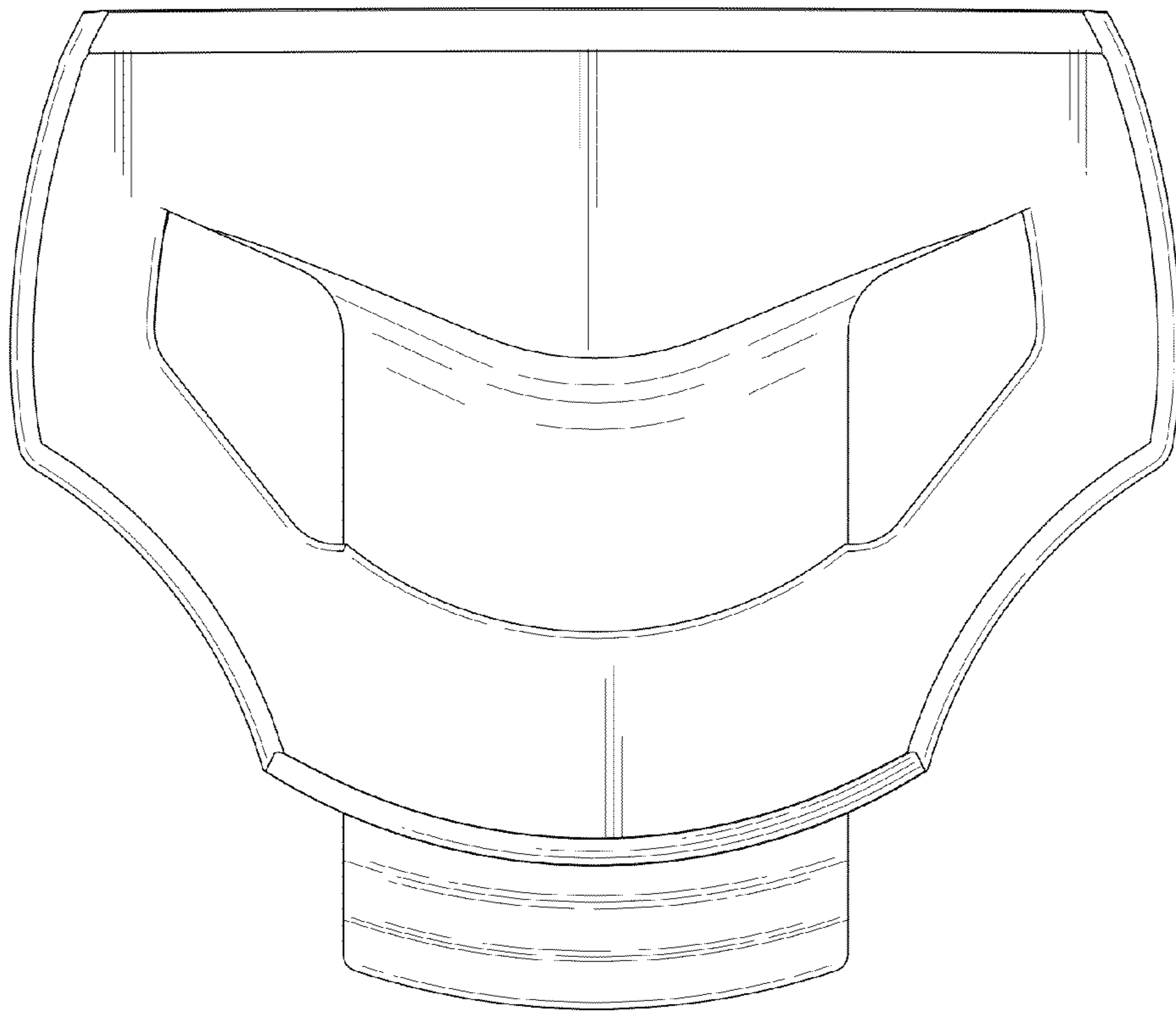


FIG. 7