



US00D730461S

(12) **United States Design Patent**
Bennett

(10) **Patent No.:** **US D730,461 S**

(45) **Date of Patent:** **** May 26, 2015**

(54) **BALL FOR SPORTS AND EXERCISE**

(71) Applicant: **RPM SPORTS LIMITED**, Thurles,
County Tipperary (IE)

(72) Inventor: **Adrian Charles Bennett**, Locksbottom
(GB)

(**) Term: **14 Years**

(21) Appl. No.: **29/478,965**

(22) Filed: **Jan. 10, 2014**

(51) **LOC (10) Cl.** **21-02**

(52) **U.S. Cl.**
USPC **D21/713**

(58) **Field of Classification Search**
USPC 473/425–430, 569–577, 589–614;
40/327; 446/220–222, 224, 400, 431,
446/437–439, 486, 490
See application file for complete search history.

(56) **References Cited**

U.S. PATENT DOCUMENTS

175,172 A * 3/1876 Ryan 473/598
3,917,271 A * 11/1975 Lemelson et al. 473/573

D244,560 S * 5/1977 Derrington D21/713
D575,364 S * 8/2008 Smith D21/713
D603,916 S * 11/2009 Smith et al. D21/713
8,303,442 B2 * 11/2012 Smith et al. 473/604
2007/0049434 A1 * 3/2007 Maziarz et al. 473/604

* cited by examiner

Primary Examiner — Catherine Tuttle

(74) *Attorney, Agent, or Firm* — McNeese Wallace & Nurick
LLC

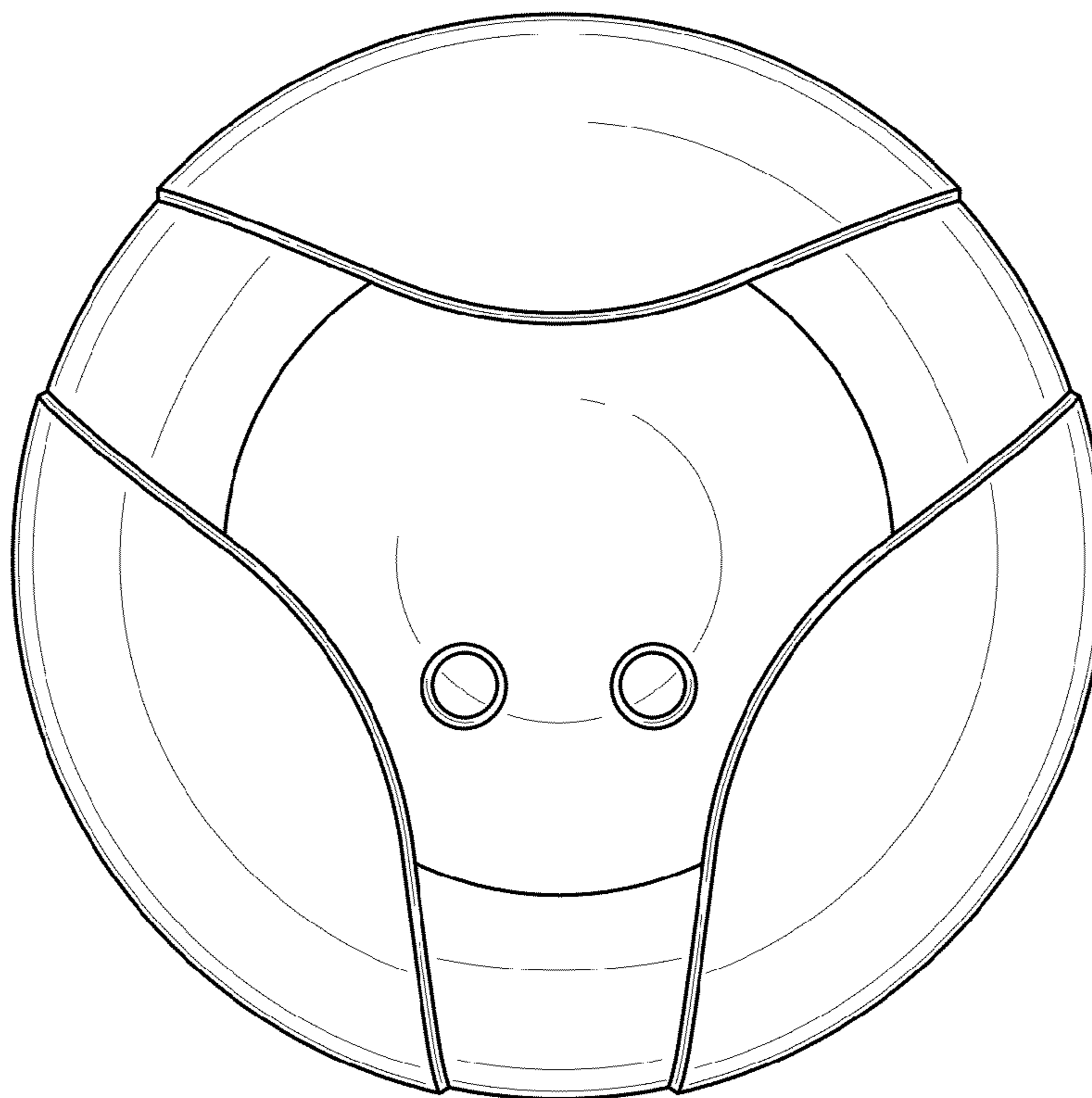
(57) **CLAIM**

What is claimed is the ball for sports and exercise, as shown
and described.

DESCRIPTION

FIG. 1 is a front view of the ball for sports and exercise
embodying my new design;
FIG. 2 is a rear view thereof;
FIG. 3 is a view of the lower hemisphere in FIGS. 1 and 2;
and,
FIG. 4 is a view of the upper hemisphere in FIGS. 1 and 2.
The broken line in FIG. 2 represents a portion of the ball for
sports and exercise that forms no part of the claimed design.

1 Claim, 2 Drawing Sheets



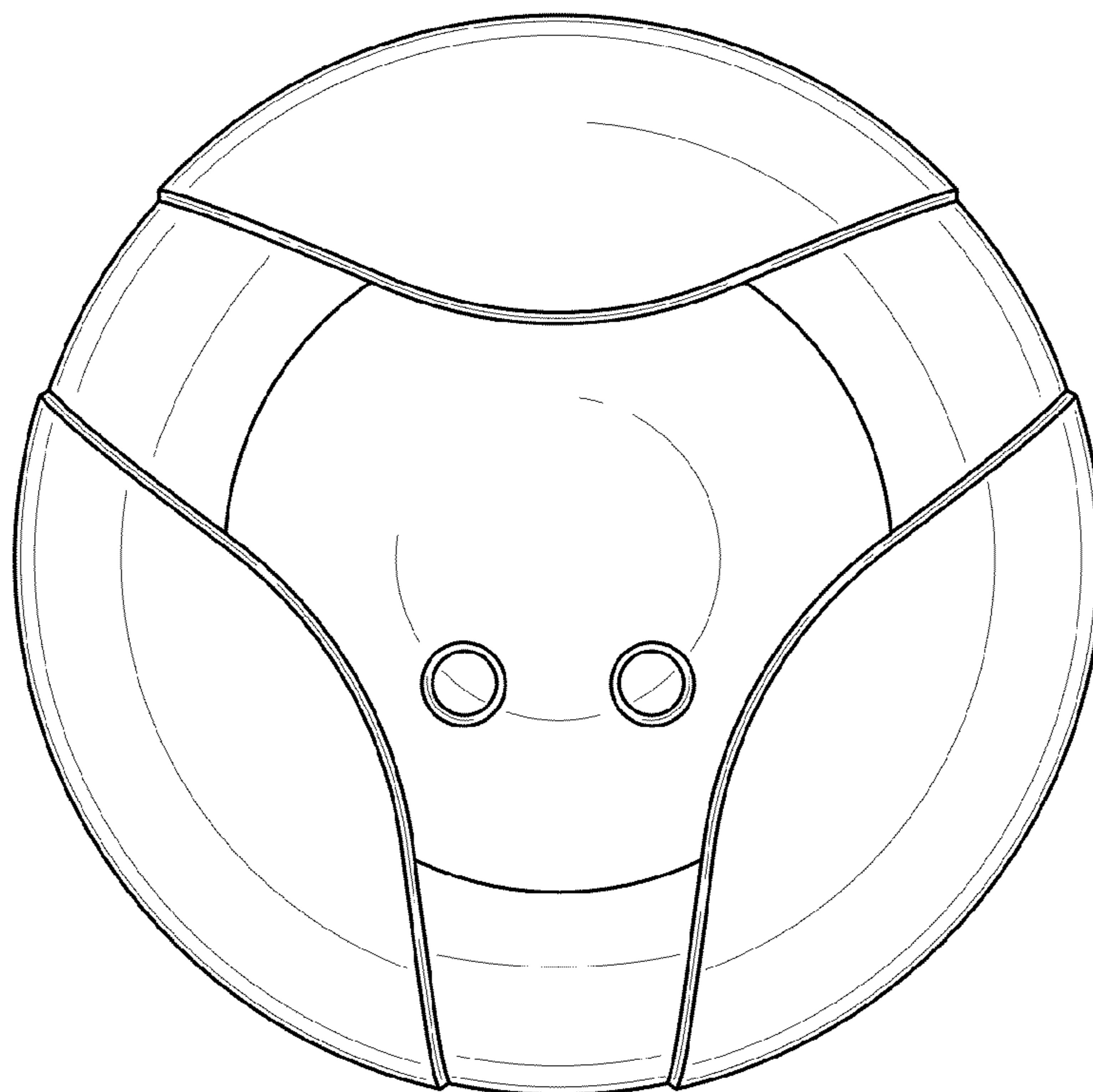


FIG. 1

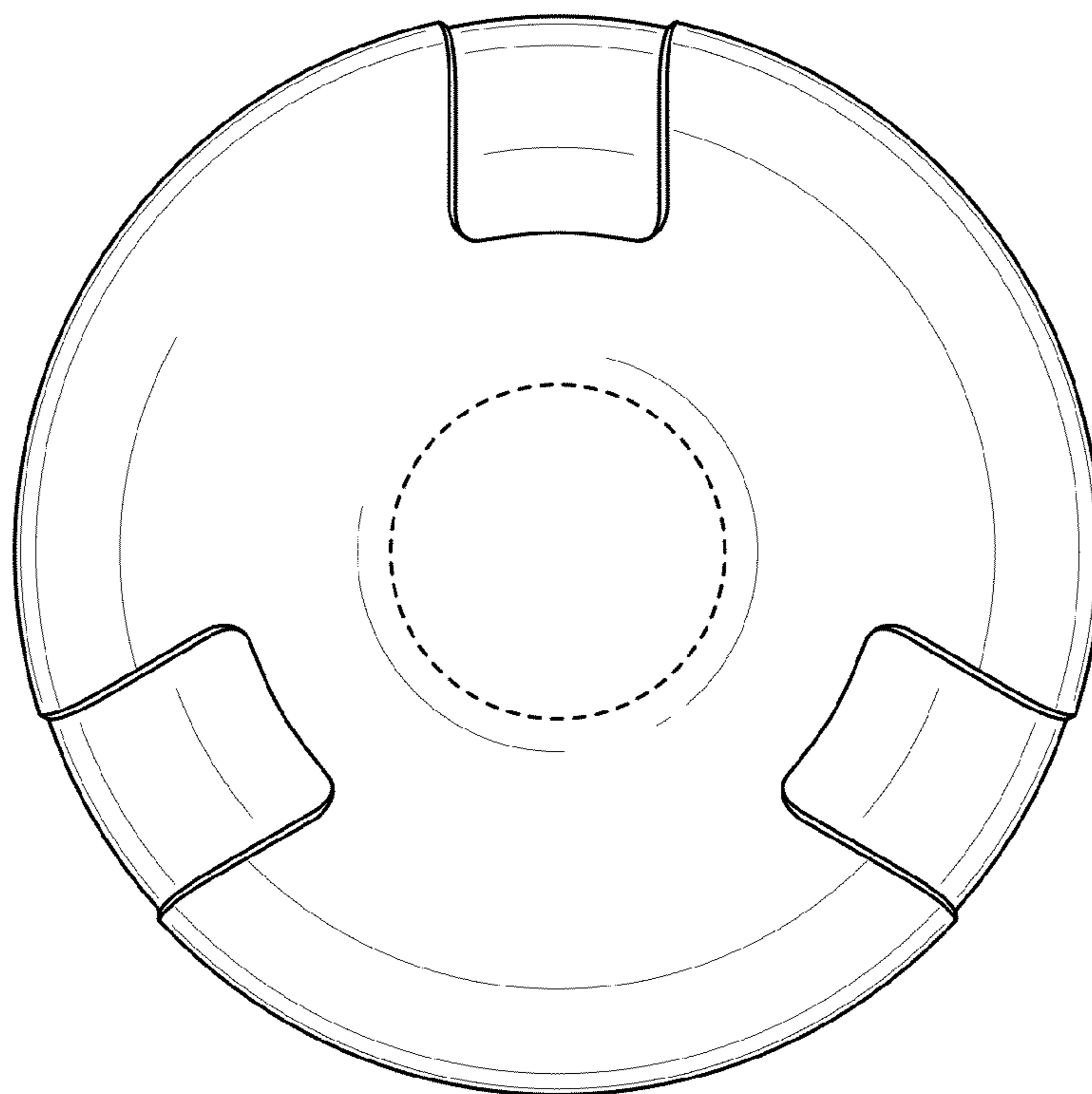


FIG. 2

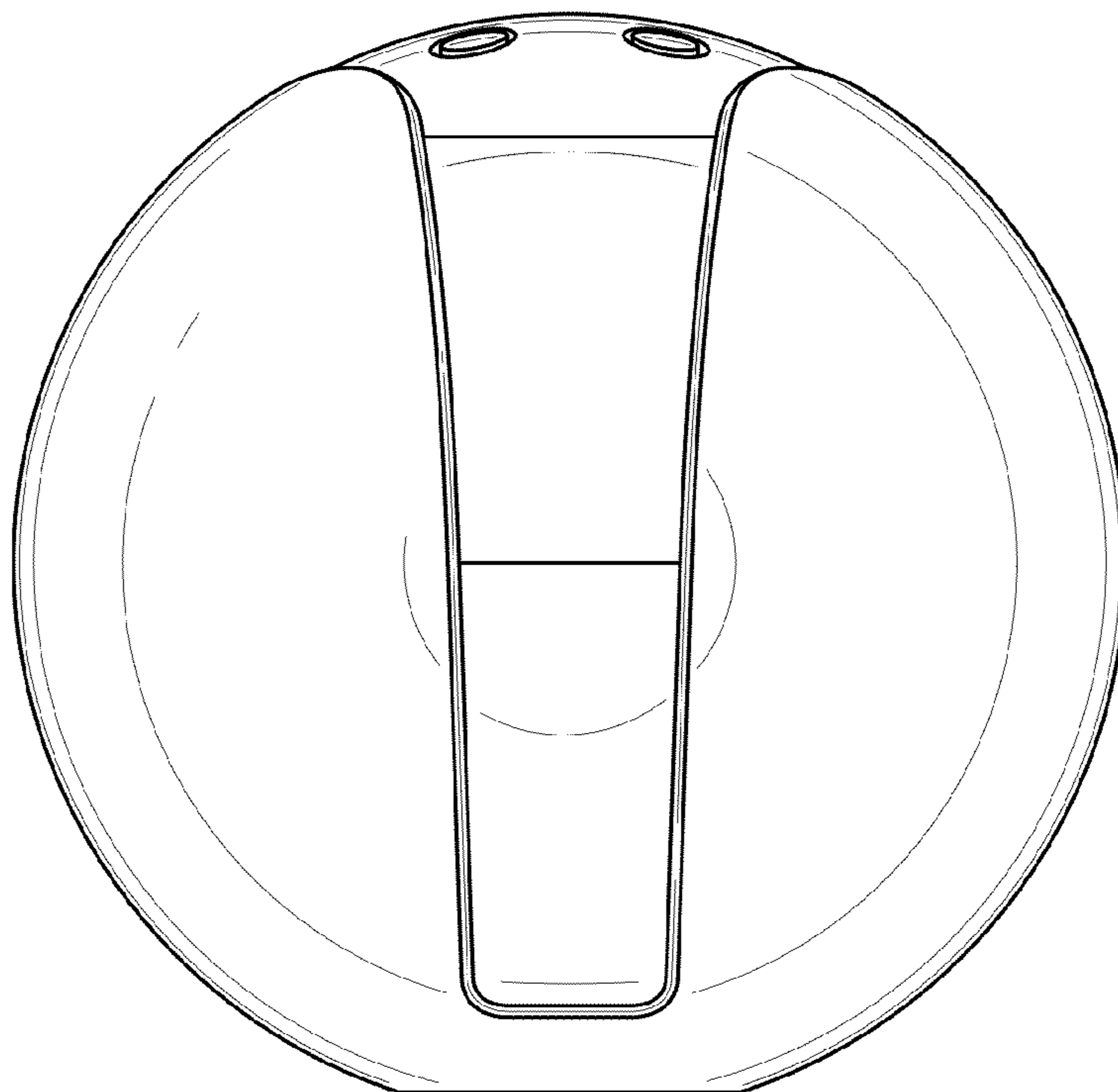


FIG. 3

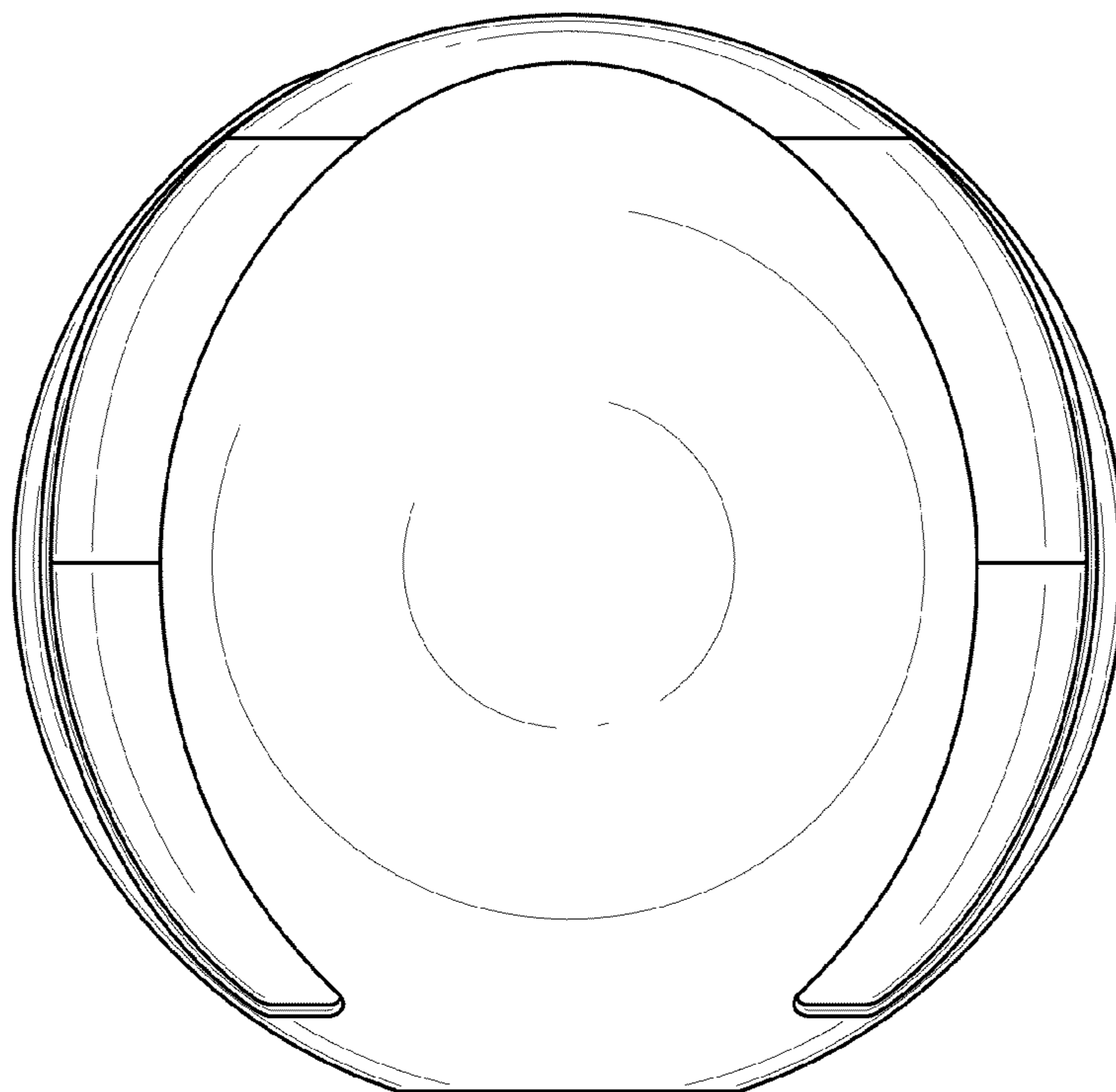


FIG. 4