



US00D730460S

(12) **United States Design Patent**
Zampese

(10) **Patent No.:** **US D730,460 S**
(45) **Date of Patent:** **** May 26, 2015**

(54) **THROWING TARGET**

(71) Applicant: **Kenneth G. Zampese**, Liberty Township, OH (US)

(72) Inventor: **Kenneth G. Zampese**, Liberty Township, OH (US)

(**) Term: **14 Years**

(21) Appl. No.: **29/444,158**

(22) Filed: **Jan. 26, 2013**

(51) **LOC (10) Cl.** **21-02**

(52) **U.S. Cl.**
USPC **D21/699**

(58) **Field of Classification Search**

CPC A63B 63/00; A63B 63/004; A63B 63/06;
A63B 63/08; A63B 63/008; A63B 67/06;
A63B 2243/007; A63B 69/002; A45D 42/16
USPC D21/302-306, 308, 698, 699, 701-705,
D21/780, 781, 788; D6/300-309, 332, 672,
D6/673, 680, 680.2, 680.3, 681, 681.1,
D6/682, 682.1, 682.5; 473/415, 416, 422,
473/438, 439, 451, 454, 462, 465, 468, 469,
473/470, 471, 476, 477, 478; 273/348, 398,
273/400, 402, 404, 406, 407; D23/378,
D23/411; D19/61; D24/139; D20/10, 21,
D20/41, 42; 248/125.9, 183.1, 185.1, 474,
248/479, 485-487; 359/872-876, 881;
416/246

See application file for complete search history.

(56) **References Cited**

U.S. PATENT DOCUMENTS

D243,782 S * 3/1977 Hickey D21/699
4,047,717 A * 9/1977 DeAngelis 273/400
4,079,939 A * 3/1978 Raistakka 273/402

4,635,943 A * 1/1987 Lumpkin 273/402
D346,653 S * 5/1994 Chiu et al. D23/411
D379,125 S * 5/1997 Simjian D6/309
5,855,372 A * 1/1999 Thiemann 273/349
D422,326 S * 4/2000 Lai D21/699
6,241,357 B1 * 6/2001 Lee 359/879
6,382,802 B1 * 5/2002 Goodman 359/840
6,446,999 B1 * 9/2002 Davis, Jr. 280/477
6,682,308 B1 * 1/2004 Fei et al. 416/246
6,736,738 B1 * 5/2004 Taa 473/439
D540,549 S * 4/2007 Yue D6/312
D574,159 S * 8/2008 Howard D6/310
D599,408 S * 9/2009 Wormser D20/21
8,900,076 B1 * 12/2014 Shropshire 473/439

* cited by examiner

Primary Examiner — Catherine Tuttle

(74) *Attorney, Agent, or Firm* — Frank Marino

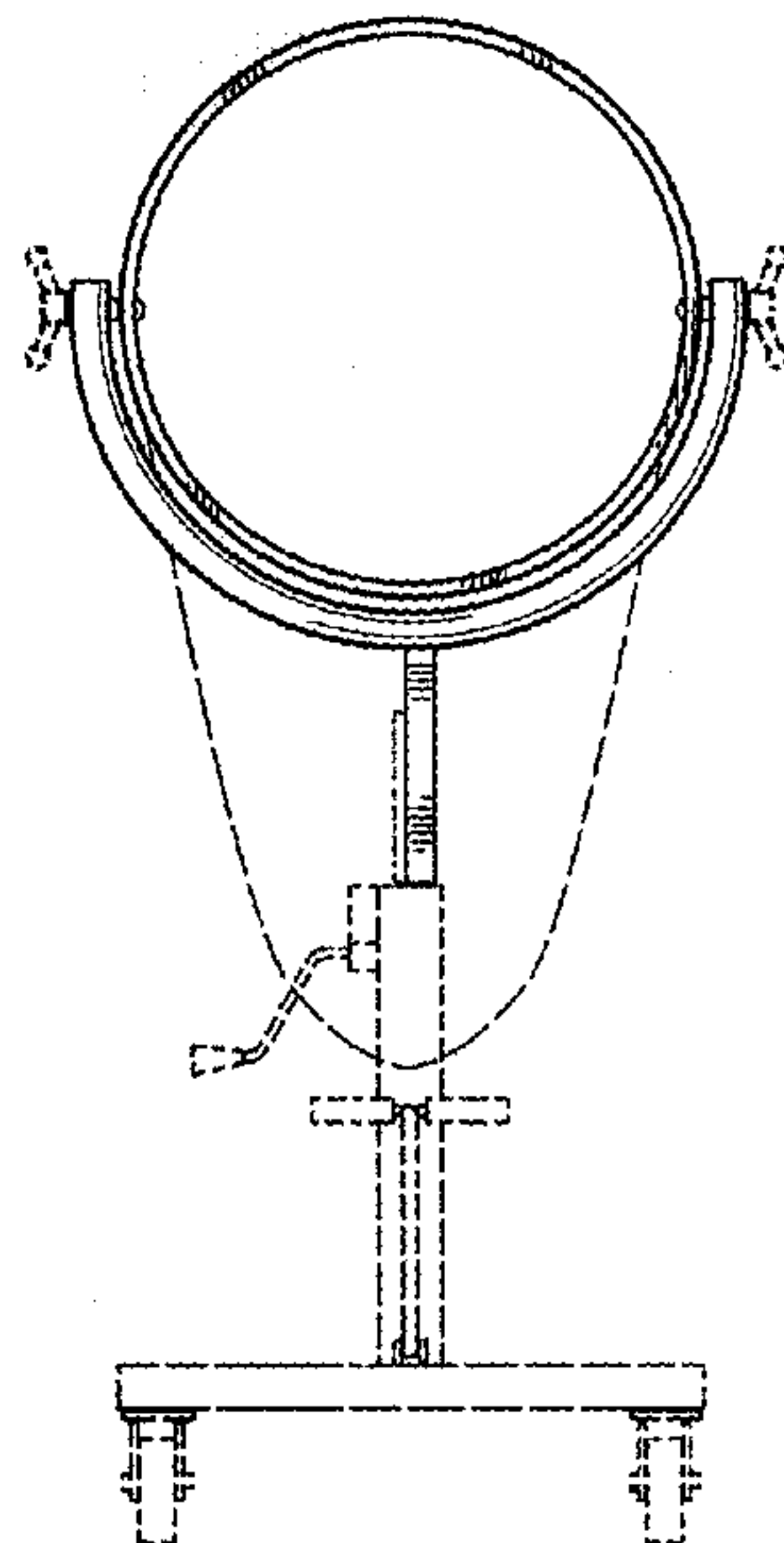
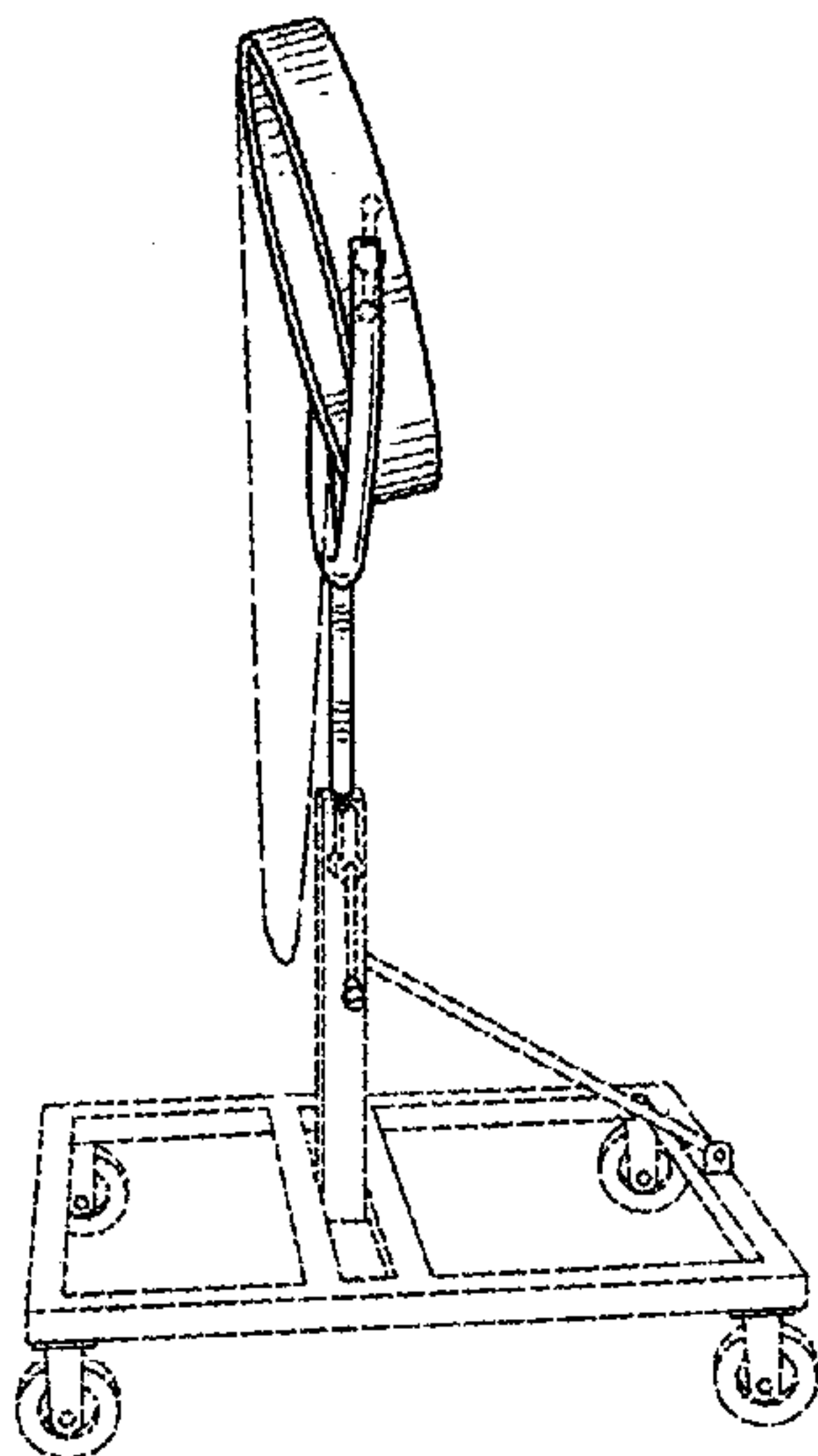
(57) **CLAIM**

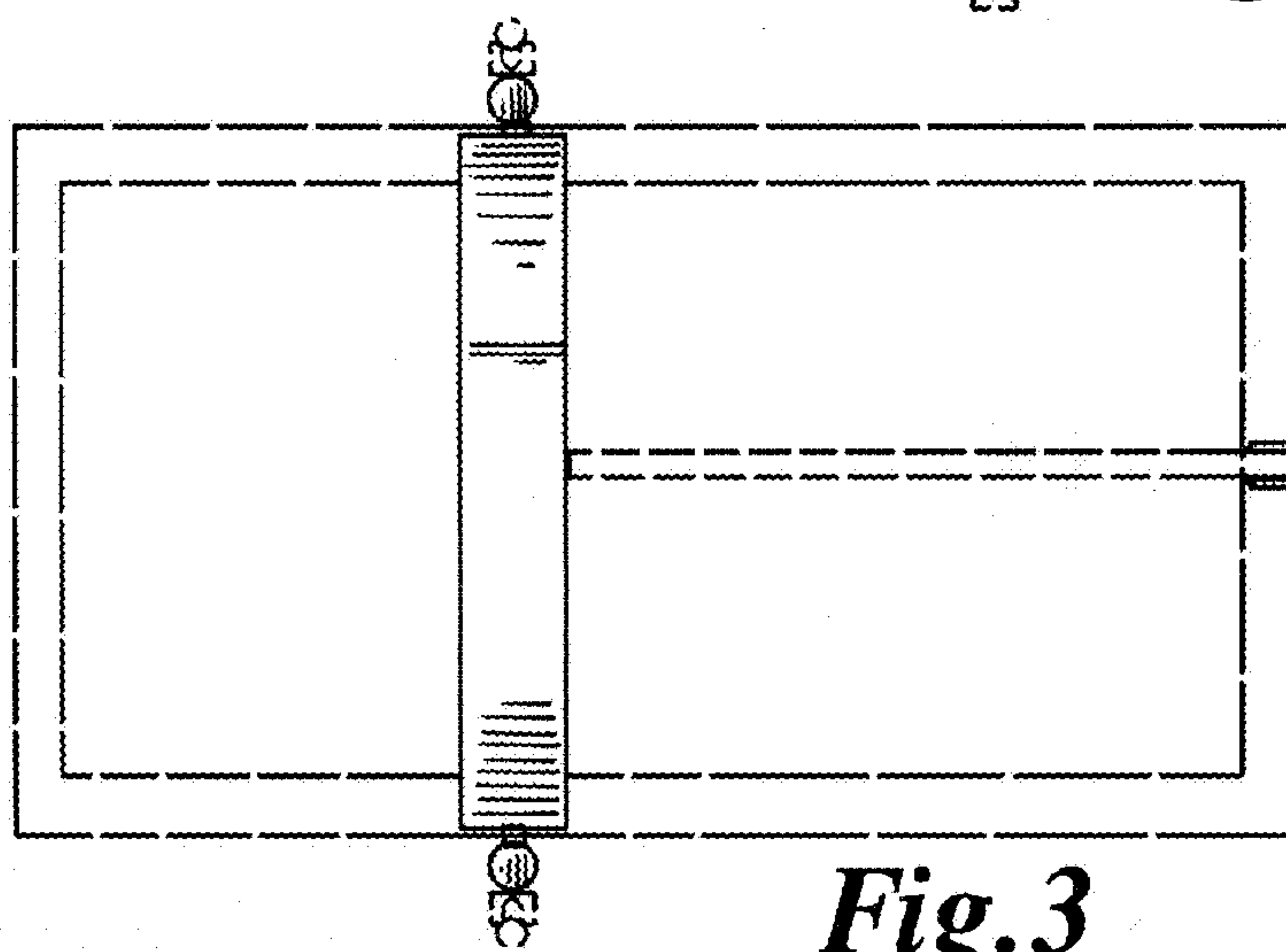
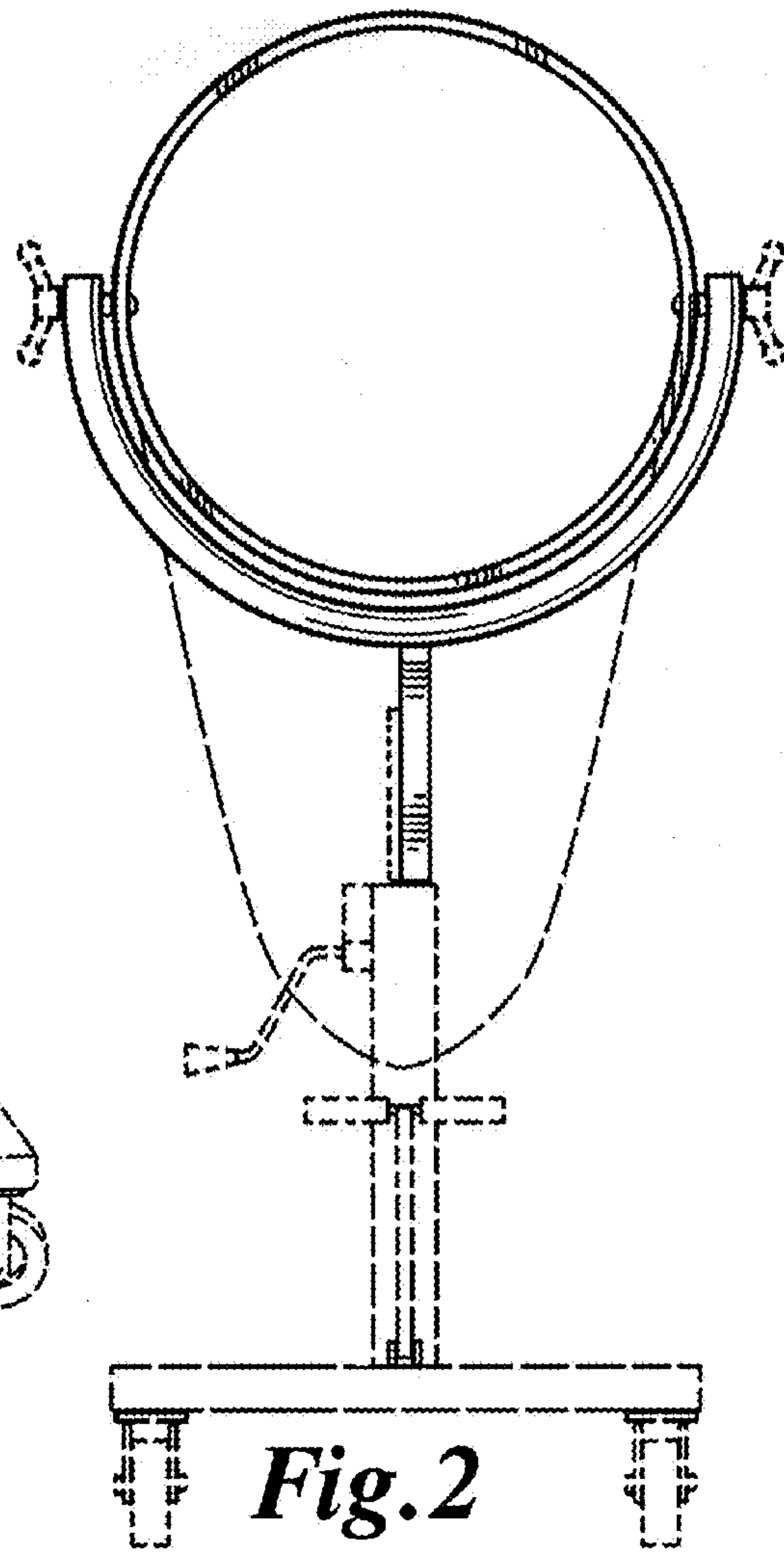
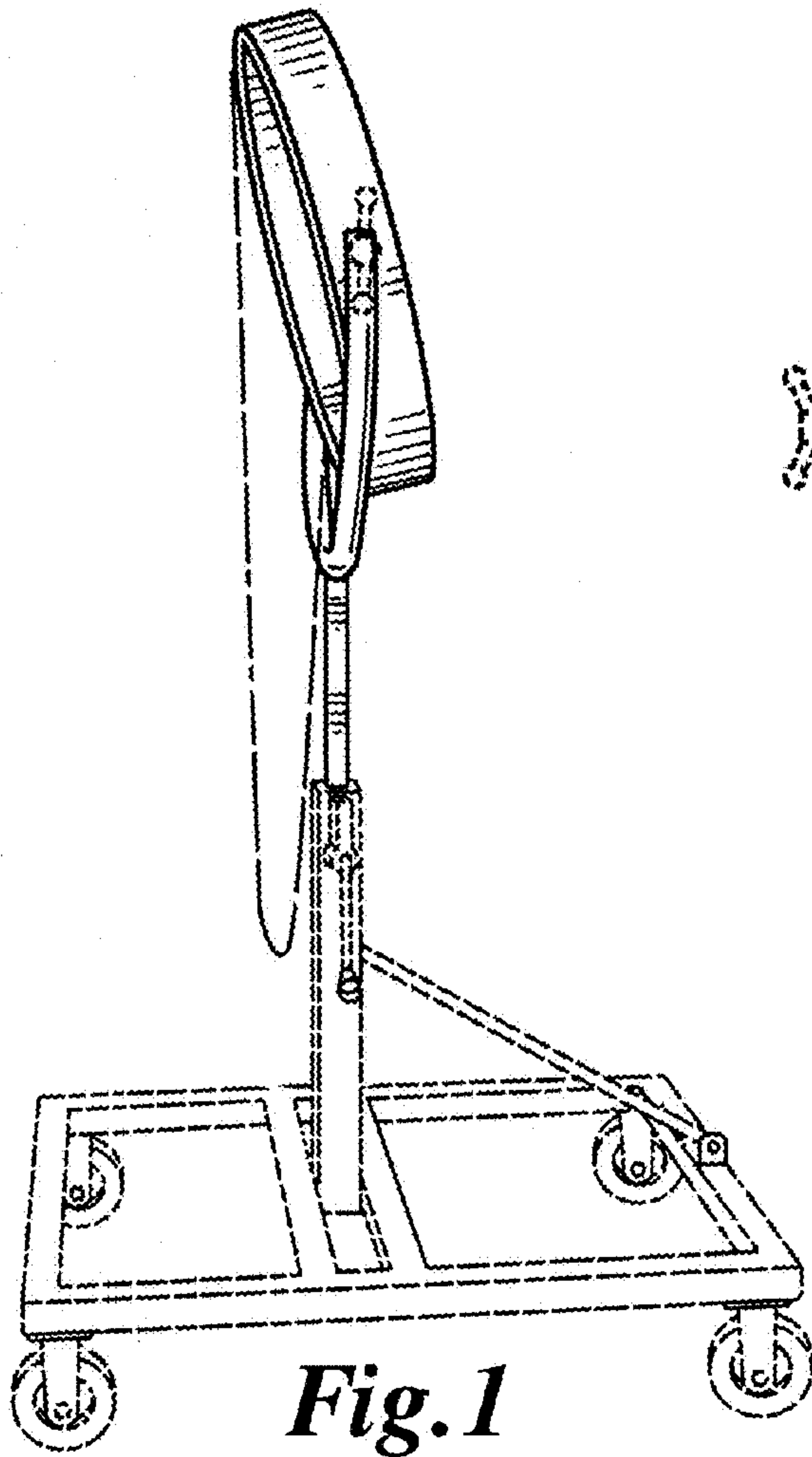
The ornamental design for a throwing target, as shown and described.

DESCRIPTION

FIG. 1 is a perspective view of a throwing target showing my new design with its tiltable circular ring slightly atilt; FIG. 2 is a front elevation view of the throwing target of FIG. 1 with its tiltable circular ring vertically disposed; FIG. 3 is a top view of the throwing target of FIG. 1 with its tiltable circular ring vertically disposed; FIG. 4 is a rear elevation view of the throwing target of FIG. 1 with its tiltable circular ring vertically disposed; and, FIG. 5 is a right side elevations view of the throwing target of FIG. 1 with its tiltable circular ring vertically disposed, the left side elevation view thereof being a mirror image thereto. The bottom view forms no part of the claimed design. The broken lines are included for the purpose of illustrating the portions of the throwing target that form no part of the claimed design.

1 Claim, 2 Drawing Sheets





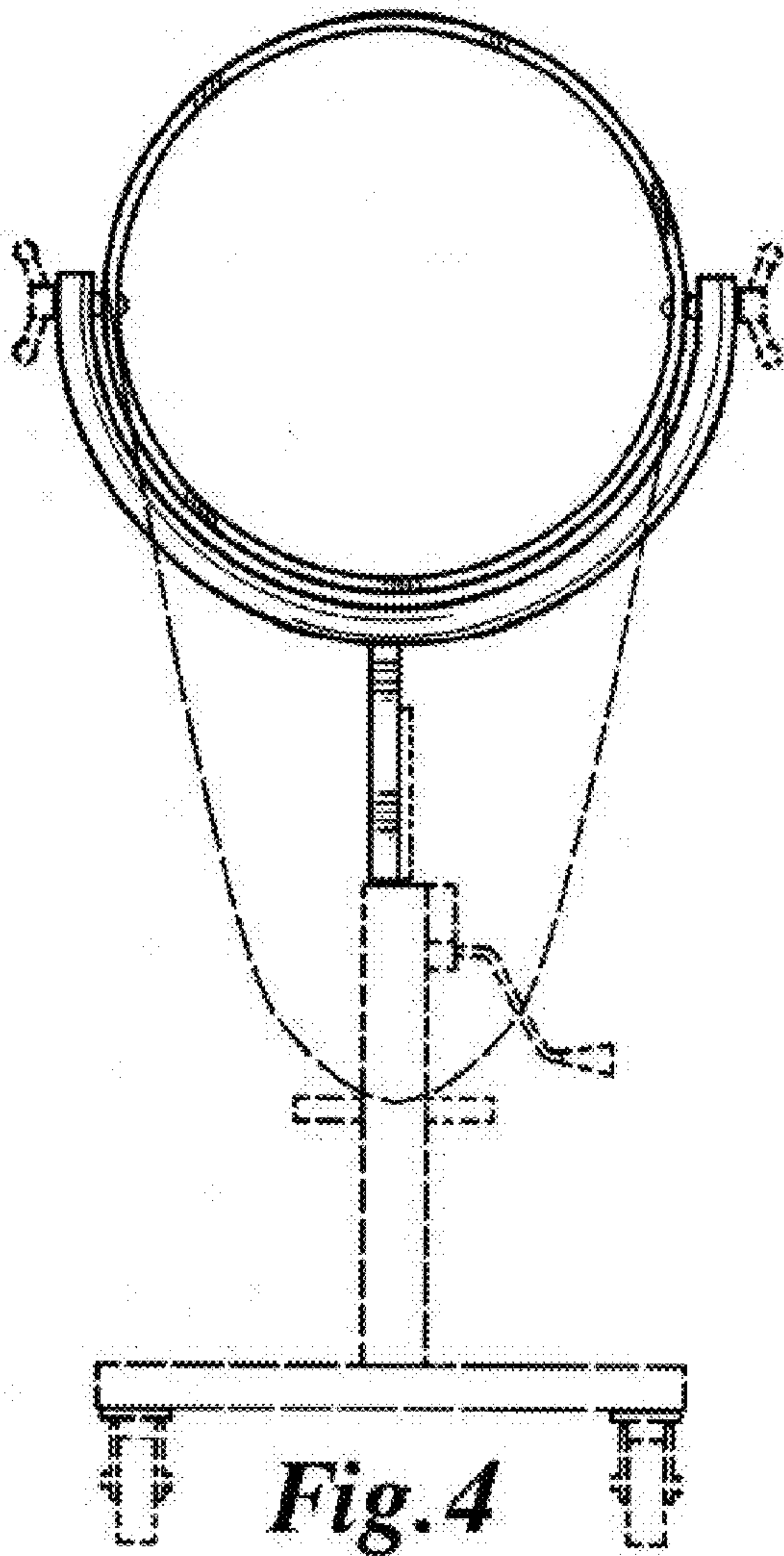


Fig. 4

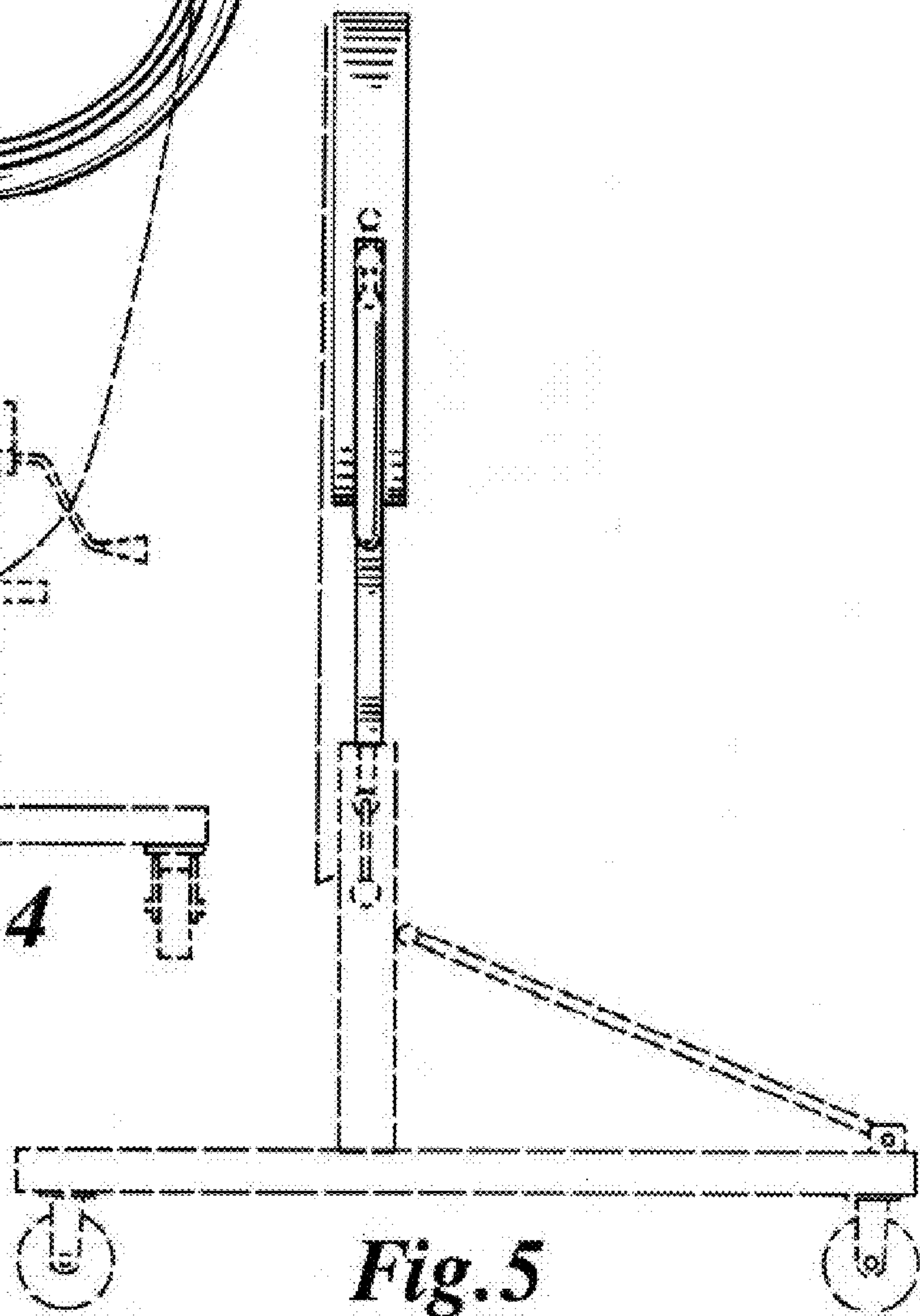


Fig. 5