

US00D730459S

(12) **United States Design Patent**  
**Tumminia**

(10) **Patent No.:** **US D730,459 S**

(45) **Date of Patent:** **\*\* May 26, 2015**

(54) **ROTARY CONNECTION FOR A  
KETTLEBELL**

D583,224 S \* 12/2008 Holdsworth ..... D8/382  
D622,585 S \* 8/2010 Walker, Jr. .... D8/396  
D719,820 S \* 12/2014 McGrath ..... D8/382

(71) Applicant: **Ronald A Tumminia**, Casselberry, FL  
(US)

FOREIGN PATENT DOCUMENTS

(72) Inventor: **Ronald A Tumminia**, Casselberry, FL  
(US)

DE 4211587 A1 \* 10/1993 ..... F16D 3/16

(\*\*) Term: **14 Years**

\* cited by examiner

(21) Appl. No.: **29/482,120**

*Primary Examiner* — Philip S Hyder

*Assistant Examiner* — Keith Frank

(22) Filed: **Feb. 14, 2014**

(74) *Attorney, Agent, or Firm* — William M. Hobby, III

(51) **LOC (10) CI.** ..... **21-02**

(52) **U.S. CI.**  
USPC ..... **D21/694**

(57) **CLAIM**

The ornamental design for a rotary connection for a kettlebell, as shown and described.

(58) **Field of Classification Search**

**DESCRIPTION**

CPC ..... F16C 11/04; F16C 13/00; F16C 2360/23;  
F16C 35/073; F16D 11/10; F16D 13/04;  
F16D 13/52; F16D 1/06; F16D 1/0876;  
F16D 2001/103; F16D 2023/123; F16D  
2121/14; F16D 2125/26; F16D 2125/32  
USPC ..... D21/694; D8/482, 382, 373, 349;  
285/276, 81; 464/160, 176, 182, 183,  
464/106; 482/16, 36, 103, 104, 107, 136;  
D26/23, 26, 62, 65, 79, 113

See application file for complete search history.

FIG. 1 is a front perspective view of my new rotary connection for a kettlebell;  
FIG. 2 is a front perspective view without the environmental dashed lines crossing over the rotary connection for a kettlebell;  
FIG. 3 is a front elevational view thereof;  
FIG. 4 is a rear elevational view thereof;  
FIG. 5 is a left side elevational view thereof;  
FIG. 6 is a top plan view thereof; and,  
FIG. 7 is a bottom plan view thereof.

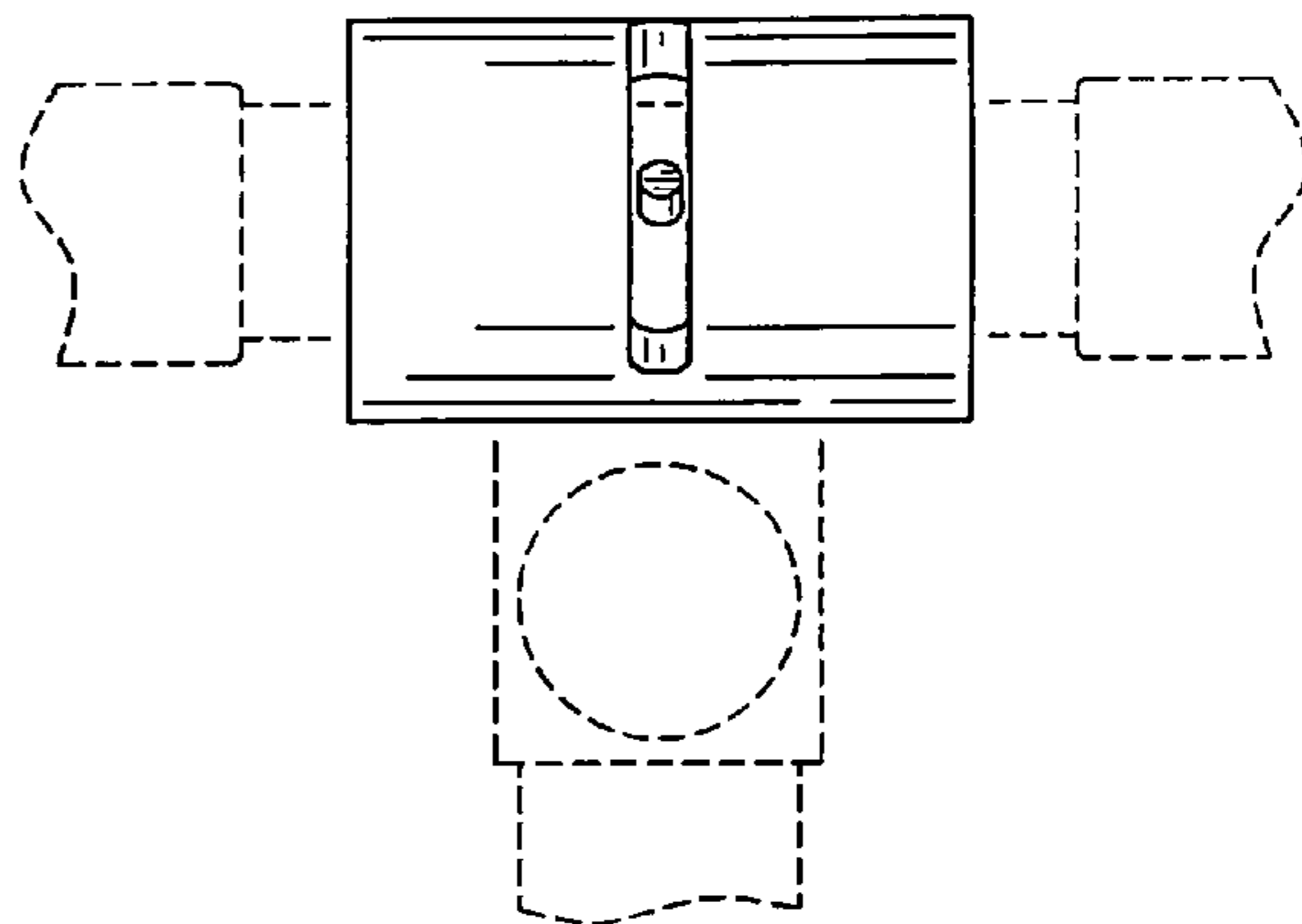
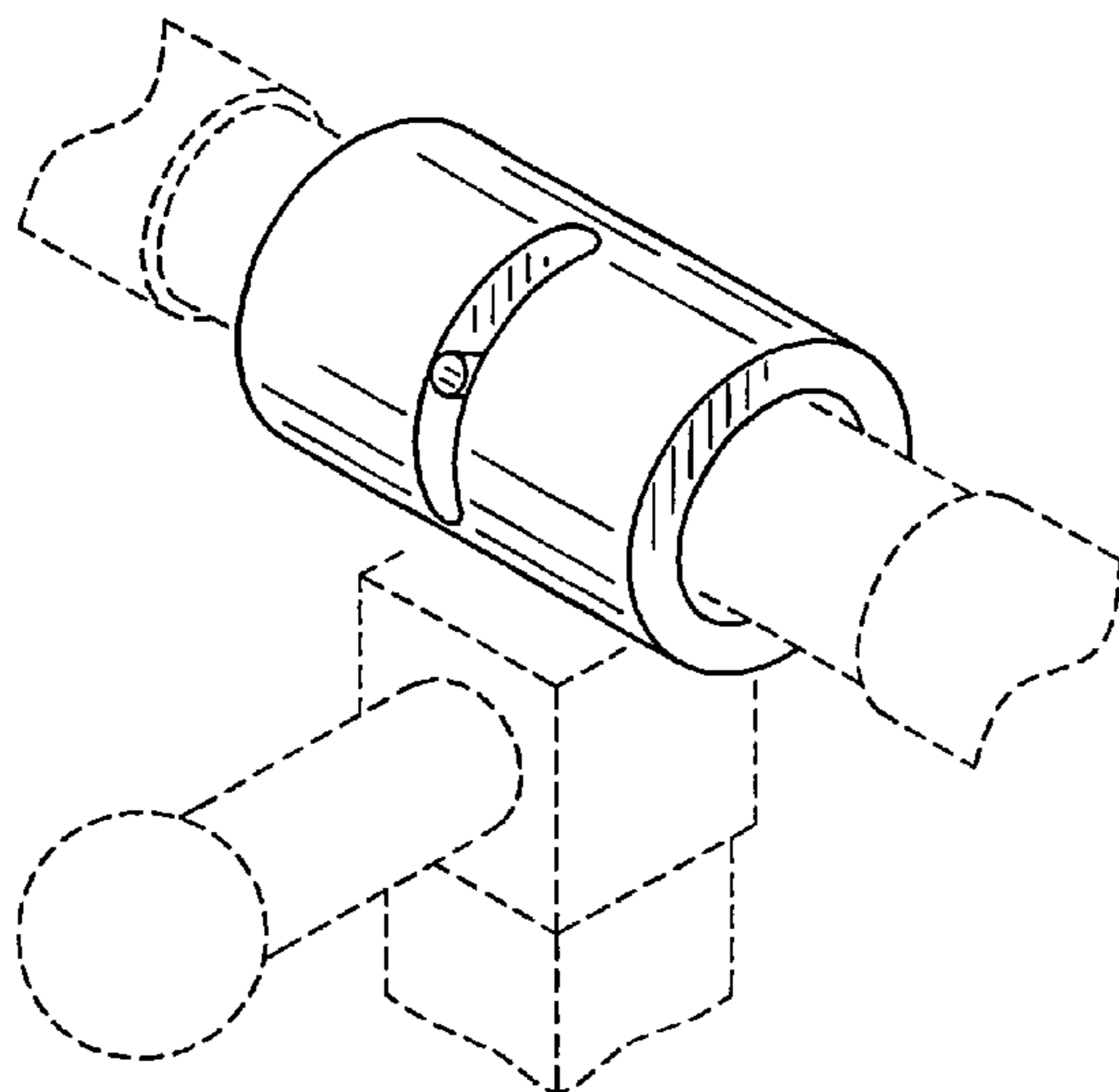
The broken lines in the drawings are included for the purpose of showing environmental features that form no part of the claimed design.

(56) **References Cited**

U.S. PATENT DOCUMENTS

D149,818 S \* 6/1948 Jaros ..... D23/245  
D384,710 S \* 10/1997 Pahel ..... D21/694  
D573,453 S \* 7/2008 Buckley ..... D8/382

**1 Claim, 2 Drawing Sheets**



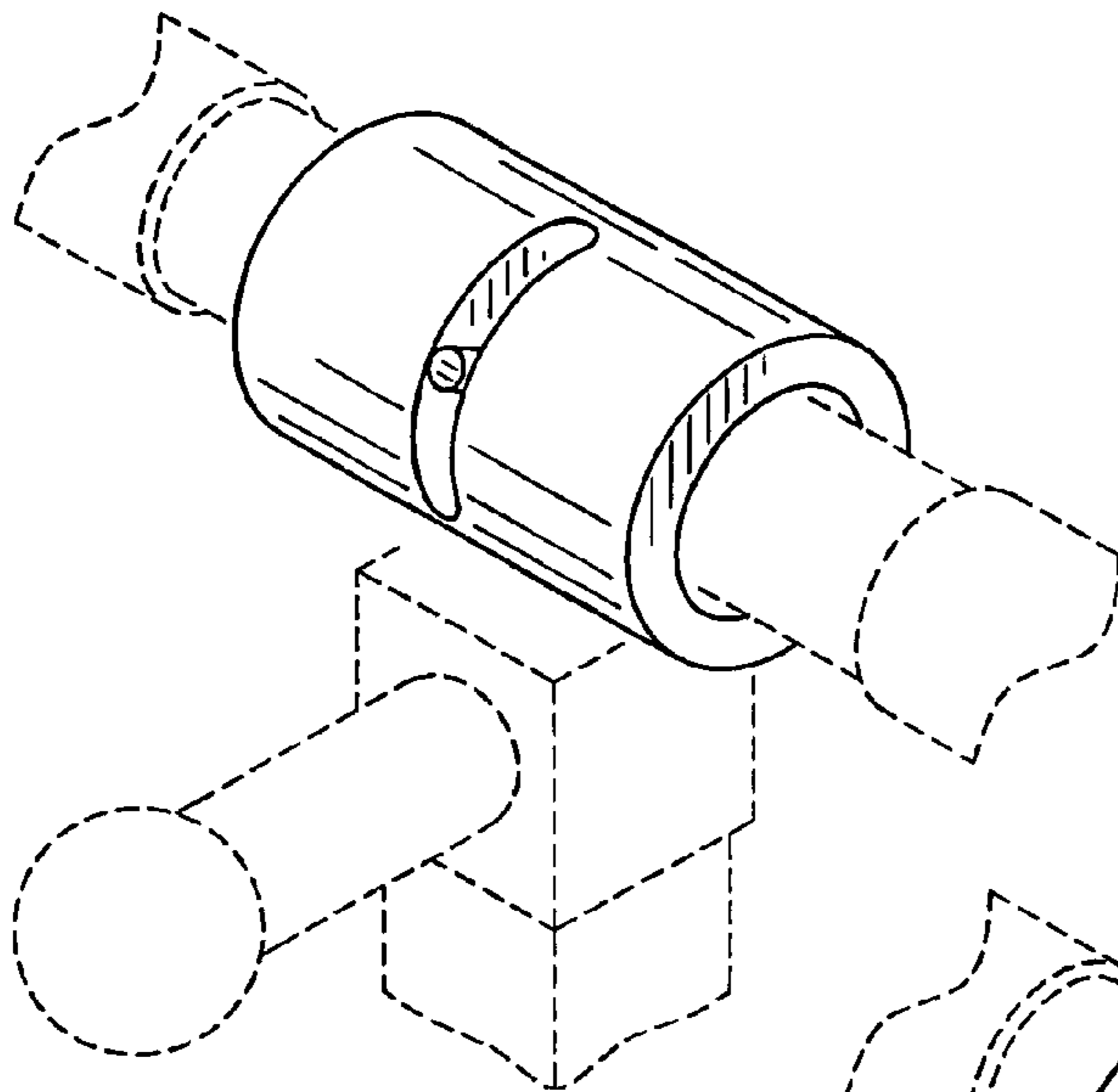


FIG. 1

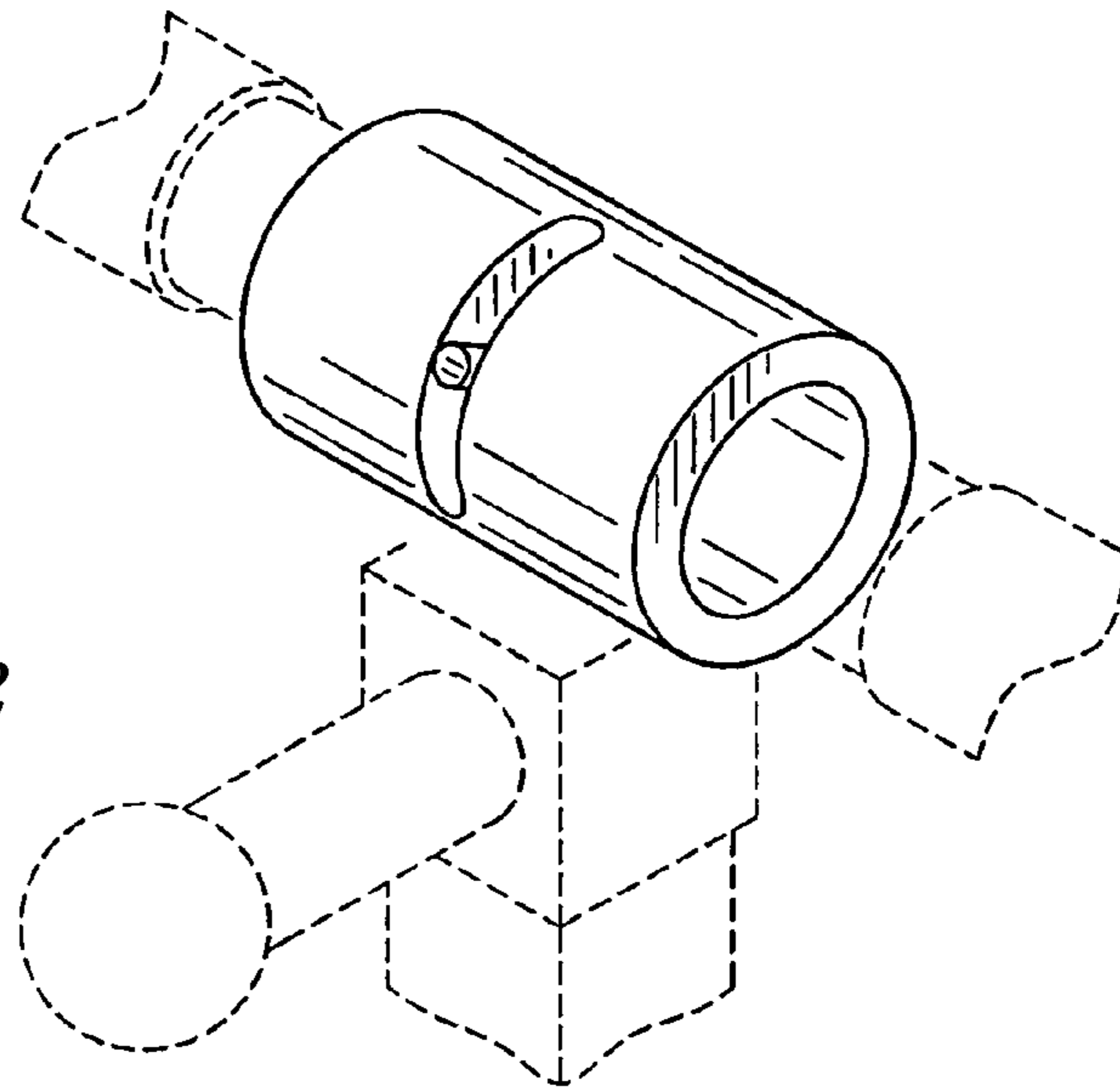


FIG. 2

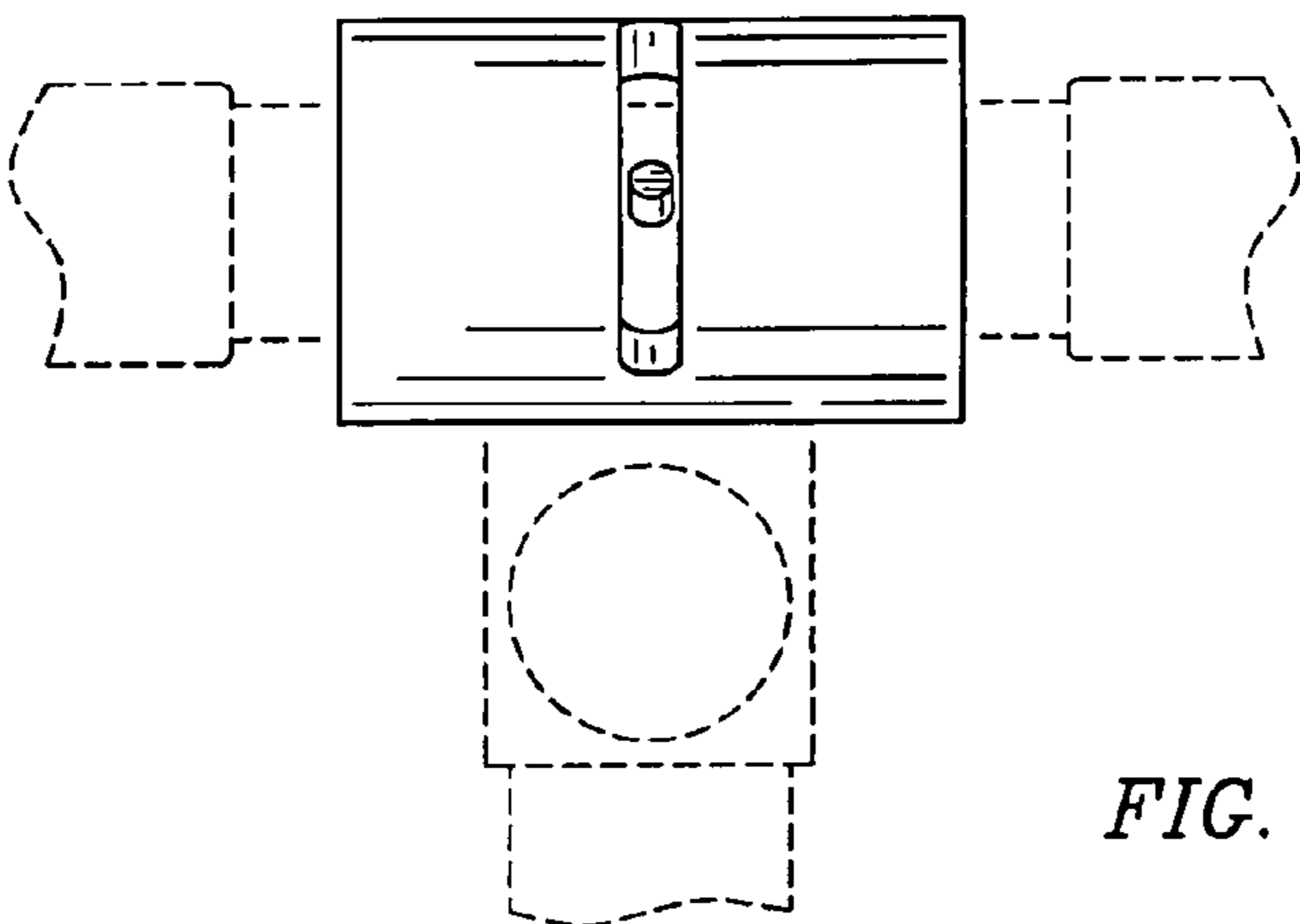


FIG. 3

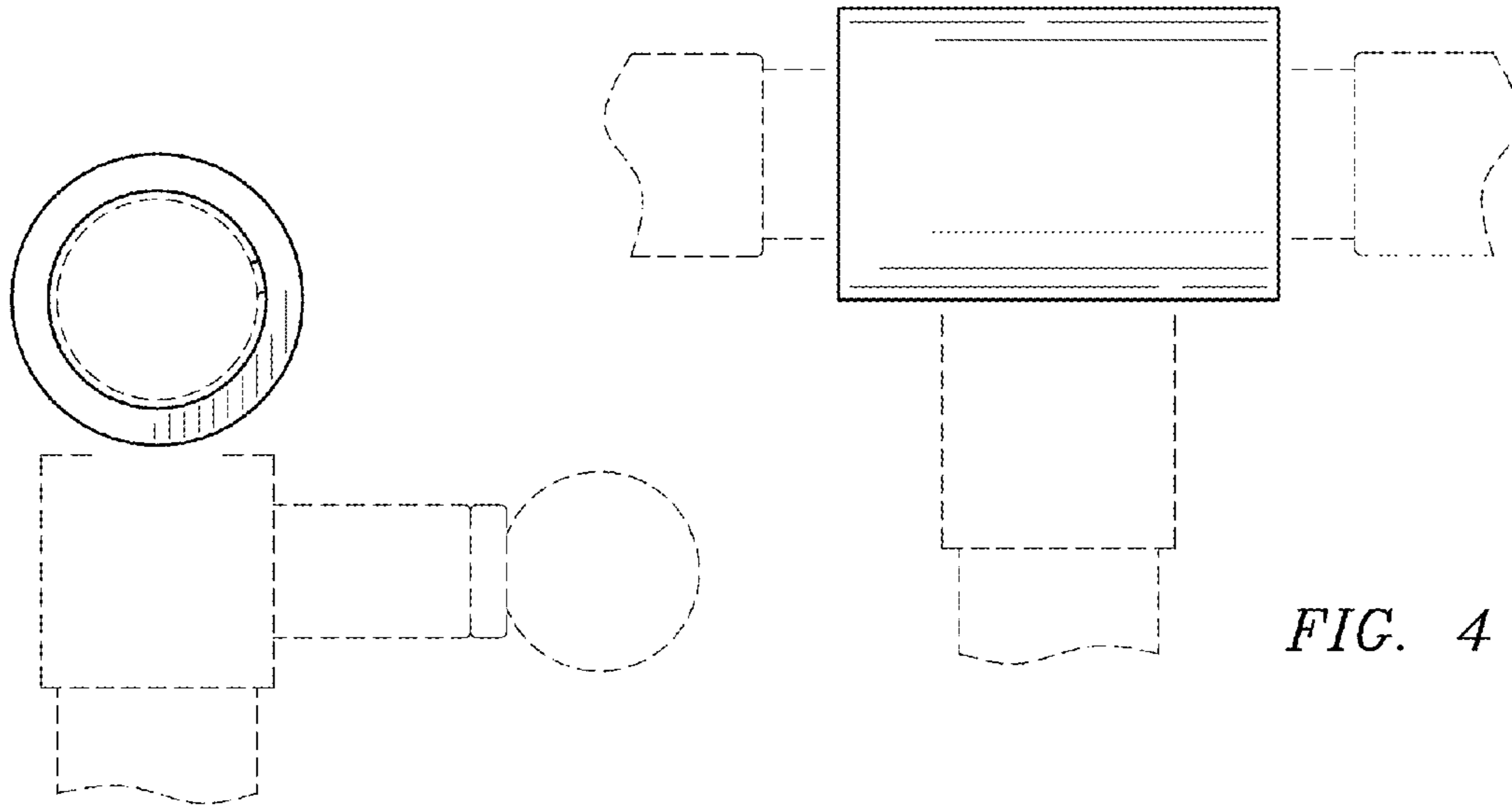


FIG. 5

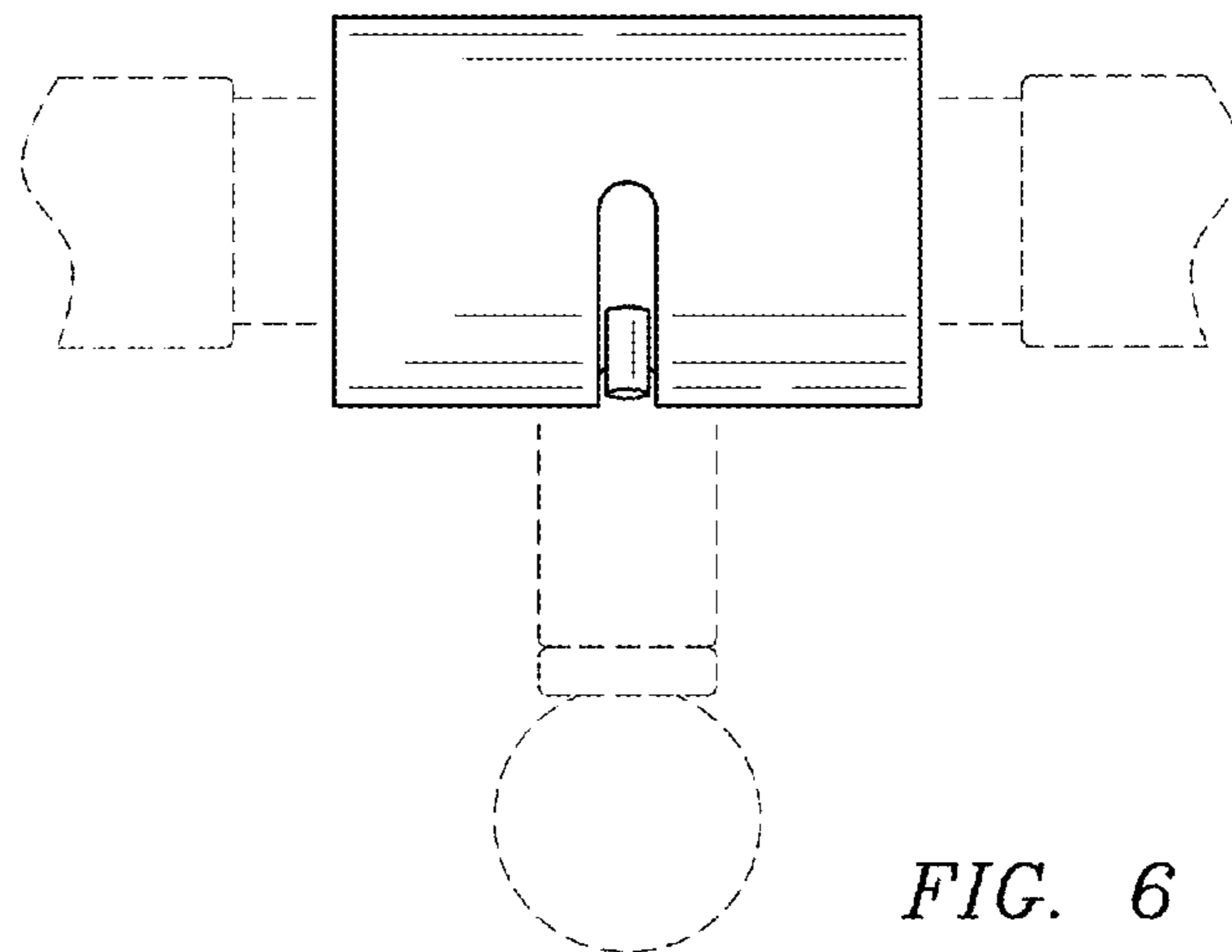


FIG. 6

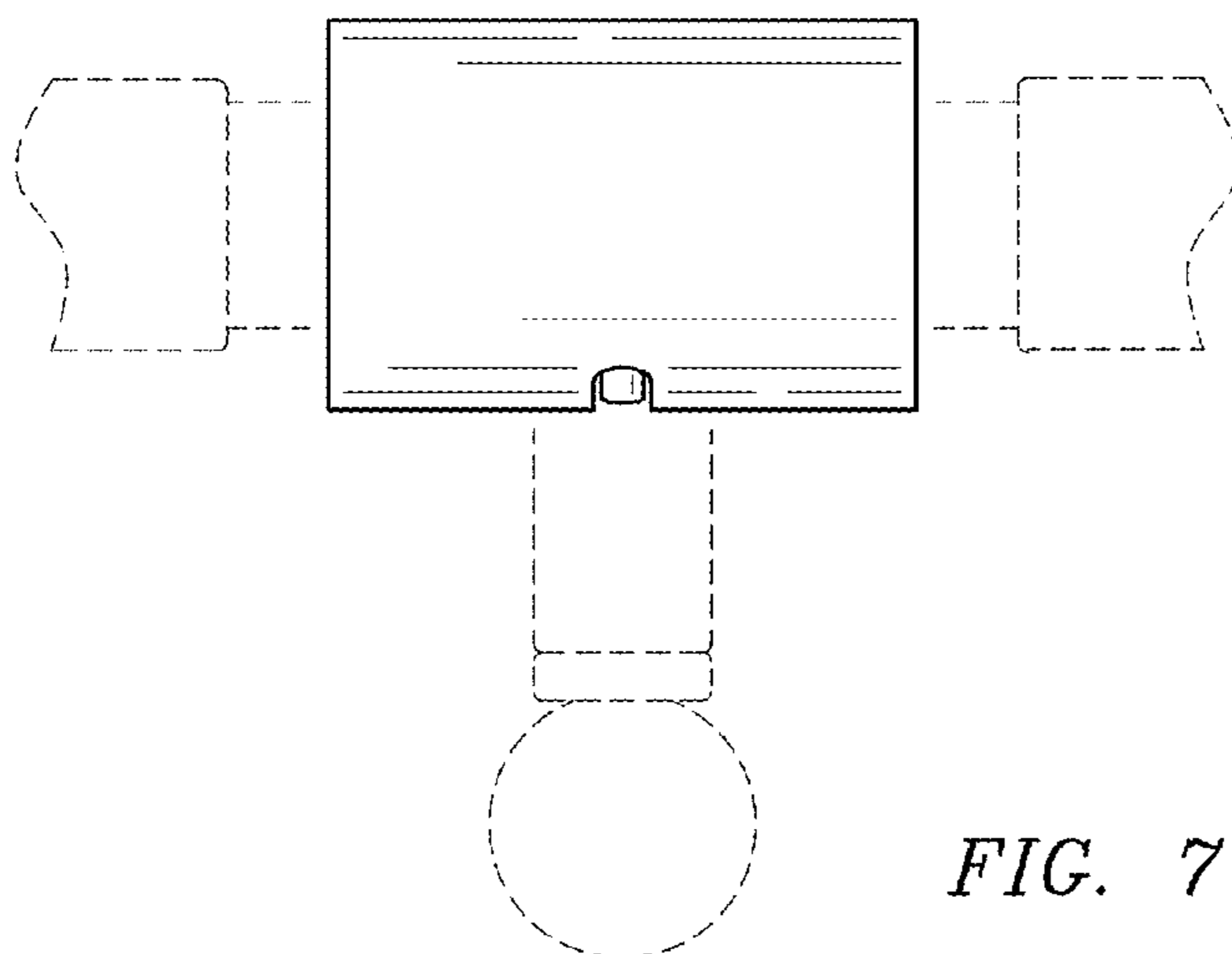


FIG. 7