

US00D730458S

(12) **United States Design Patent**  
**Zhu**

(10) **Patent No.:** **US D730,458 S**  
(45) **Date of Patent:** **\*\* May 26, 2015**

(54) **FOLDING FITNESS CHAIR**

(71) Applicant: **Zhejiang Raytheon Technology Co., Ltd.**, Yongkang (CN)

(72) Inventor: **Xiangjun Zhu**, Yongkang (CN)

(73) Assignee: **Zhejiang University**, Hangzhou, Zhejiang Province (CN)

(\*\*) Term: **14 Years**

(21) Appl. No.: **29/493,561**

(22) Filed: **Jun. 11, 2014**

(30) **Foreign Application Priority Data**

Dec. 12, 2013 (CN) ..... 2013 3 0618347

(51) **LOC (10) Cl.** ..... **21-02**

(52) **U.S. Cl.**  
USPC ..... **D21/690**

(58) **Field of Classification Search**

USPC ..... 482/142, 122, 115, 108, 145, 140, 105, 482/111, 123, 121, 126, 144, 143, 148, 106, 482/130, 129, 132, 96, 131, 133, 124, 110, 482/127, 72, 147, 51, 71, 139, 97, 92, 137, 482/98, 1, 907, 95, 112; 206/315.1, 45.2; D21/687, 662, 690, 676, 423, 691; 273/449; 472/103; 297/259.1, 16.1, 297/175, 445.1, 353; 446/482; 607/48, 149, 607/77, 148; 140/121, 122, 123, 124, 90; 601/24; D24/190; D6/601

See application file for complete search history.

(56) **References Cited**

**U.S. PATENT DOCUMENTS**

D271,603 S \* 11/1983 Berner ..... D21/676  
5,190,513 A \* 3/1993 Habing et al. .... 482/145  
D346,189 S \* 4/1994 Chen ..... D21/690  
5,300,005 A \* 4/1994 Wang ..... 482/142

D366,915 S \* 2/1996 Clem ..... D21/676  
D366,917 S \* 2/1996 Clem ..... D21/690  
D370,506 S \* 6/1996 Clem ..... D21/687  
5,573,485 A \* 11/1996 Geschwender ..... 482/112  
D379,483 S \* 5/1997 England et al. .... D21/676  
5,665,041 A \* 9/1997 Hsieh ..... 482/140  
D424,142 S \* 5/2000 McBride et al. .... D21/690  
6,123,653 A \* 9/2000 Huang ..... 482/142  
6,387,024 B1 \* 5/2002 Monti et al. .... 482/142  
6,544,154 B2 \* 4/2003 Forcillo ..... 482/142  
6,634,996 B2 \* 10/2003 Jacobsen ..... 482/96  
7,125,366 B1 \* 10/2006 Yeh ..... 482/140  
7,381,171 B2 \* 6/2008 Chen ..... 482/140  
D581,471 S \* 11/2008 Mishan et al. .... D21/687  
D582,494 S \* 12/2008 Elnekaveh ..... D21/687  
7,691,042 B2 \* 4/2010 Pandozy ..... 482/142  
D647,153 S \* 10/2011 Mishan et al. .... D21/687  
D664,615 S \* 7/2012 Chuang ..... D21/690  
8,911,336 B2 \* 12/2014 Chiu ..... 482/130  
2006/0116262 A1 \* 6/2006 Pandozy ..... 482/142  
2011/0183826 A1 \* 7/2011 Summers ..... 482/140  
2013/0337984 A1 \* 12/2013 Lung ..... 482/140  
2014/0121080 A1 \* 5/2014 Verheem ..... 482/140  
2014/0274599 A1 \* 9/2014 Chuang et al. .... 482/115

\* cited by examiner

*Primary Examiner* — Robert M Spear

*Assistant Examiner* — Ryan Harvey

(74) *Attorney, Agent, or Firm* — Han IP Corporation

(57) **CLAIM**

The ornamental design for a folding fitness chair, as shown.

**DESCRIPTION**

FIG. 1 is a perspective view of an folding fitness chair incorporating a design in accordance with an embodiment of the present disclosure;

FIG. 2 is a back view thereof;

FIG. 3 is a front view thereof;

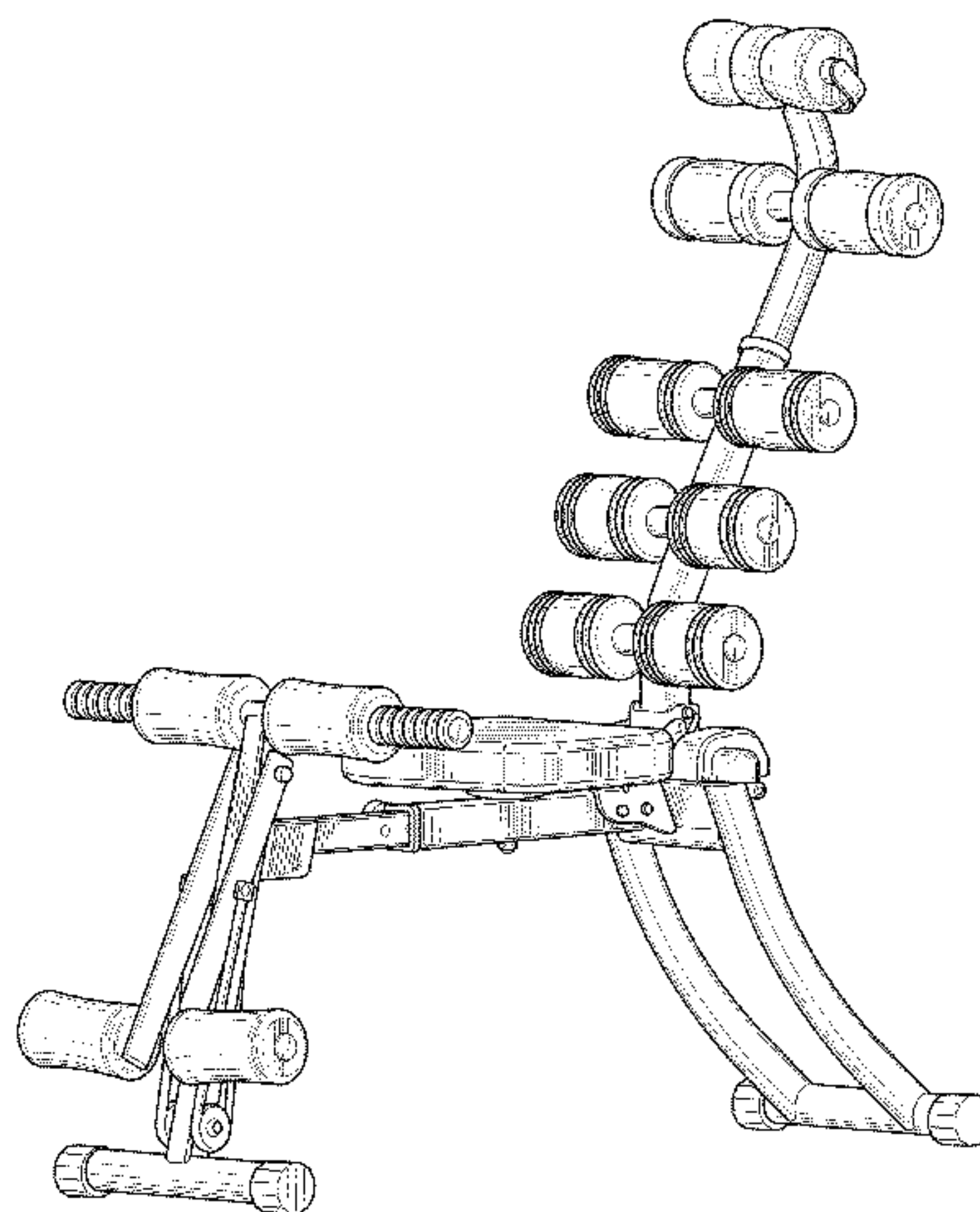
FIG. 4 is a left side view thereof;

FIG. 5 is a right view thereof;

FIG. 6 is a top plan view thereof; and,

FIG. 7 is a bottom plan view thereof.

**1 Claim, 5 Drawing Sheets**



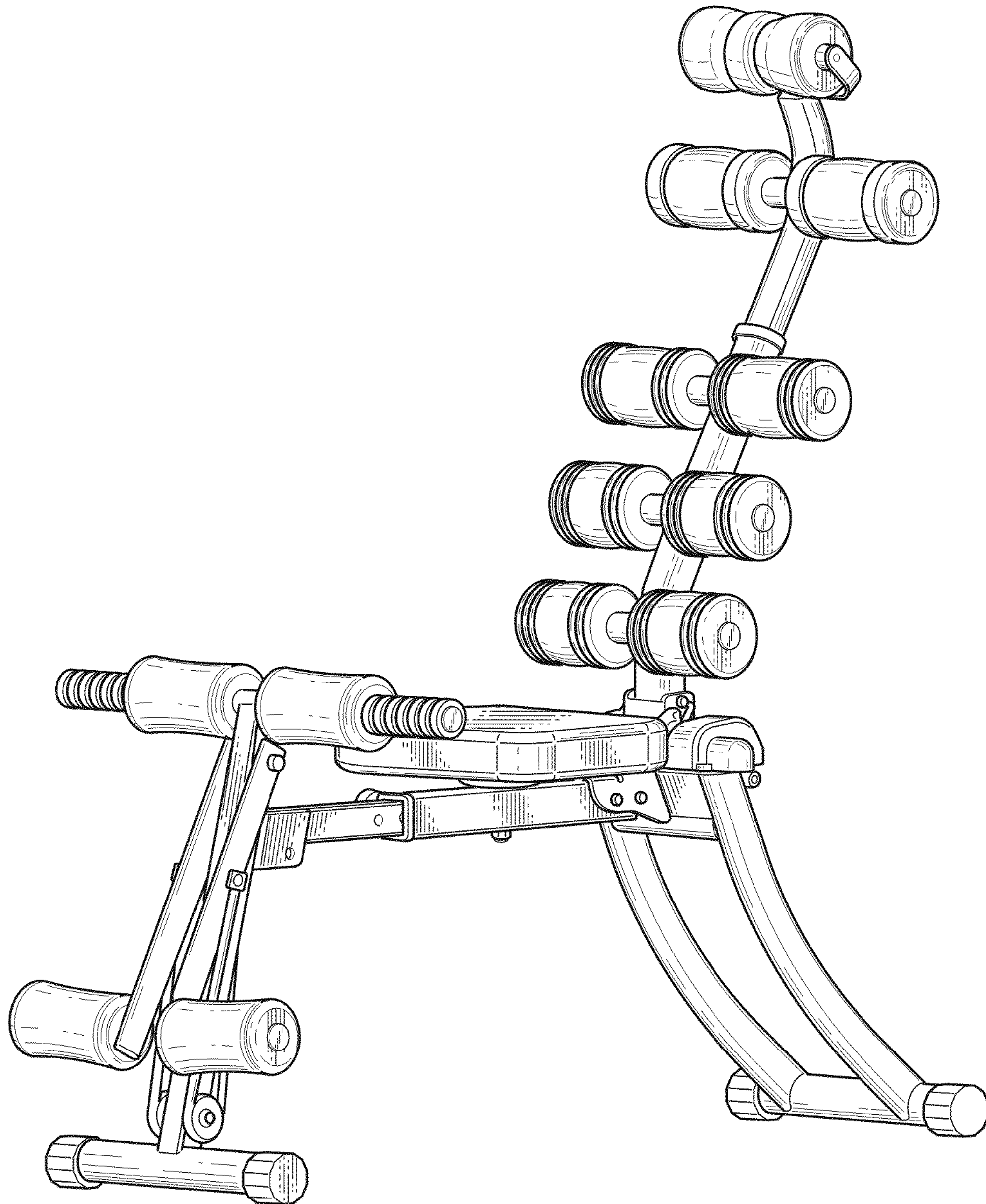


FIG. 1

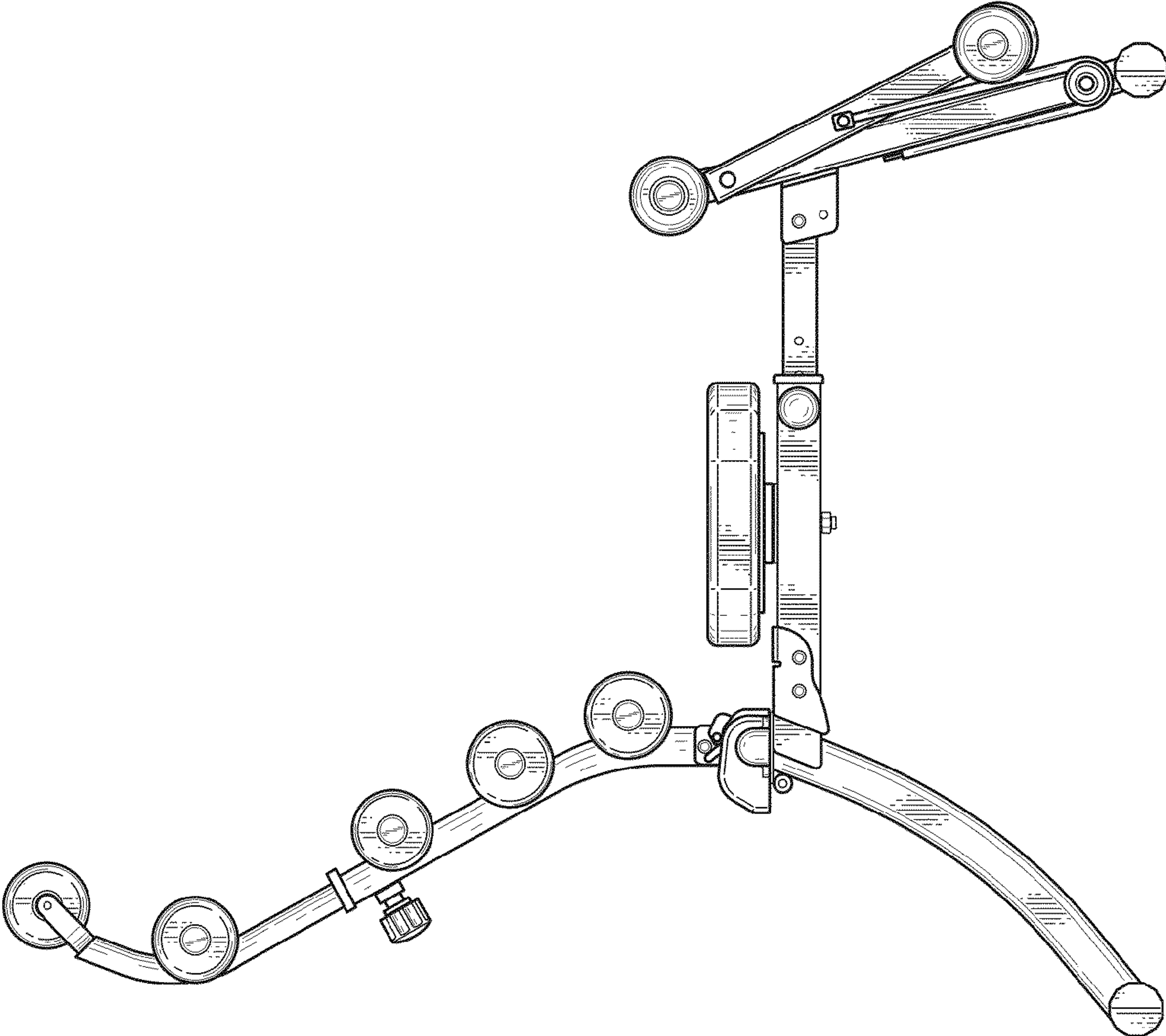


FIG. 2



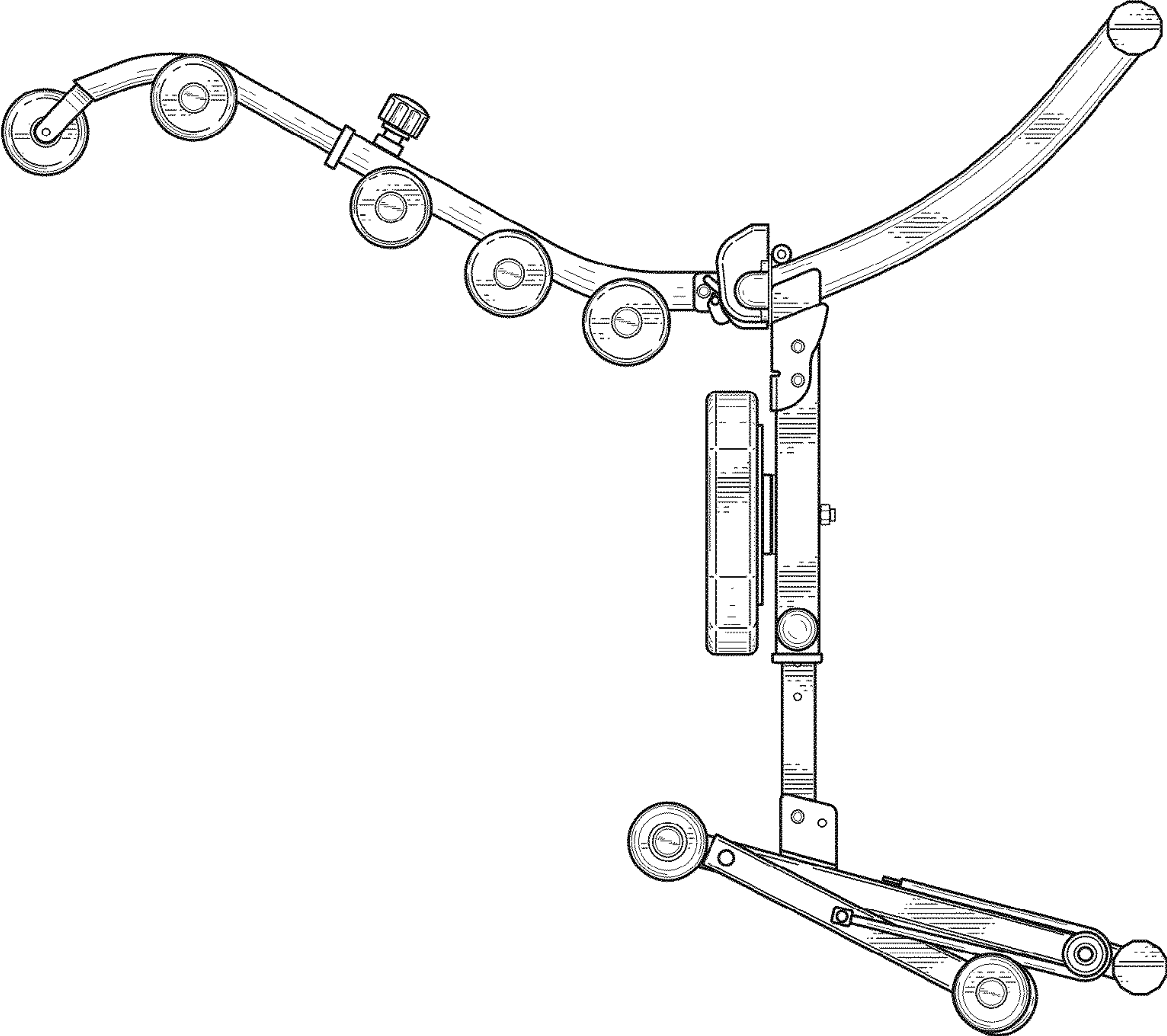


FIG. 3

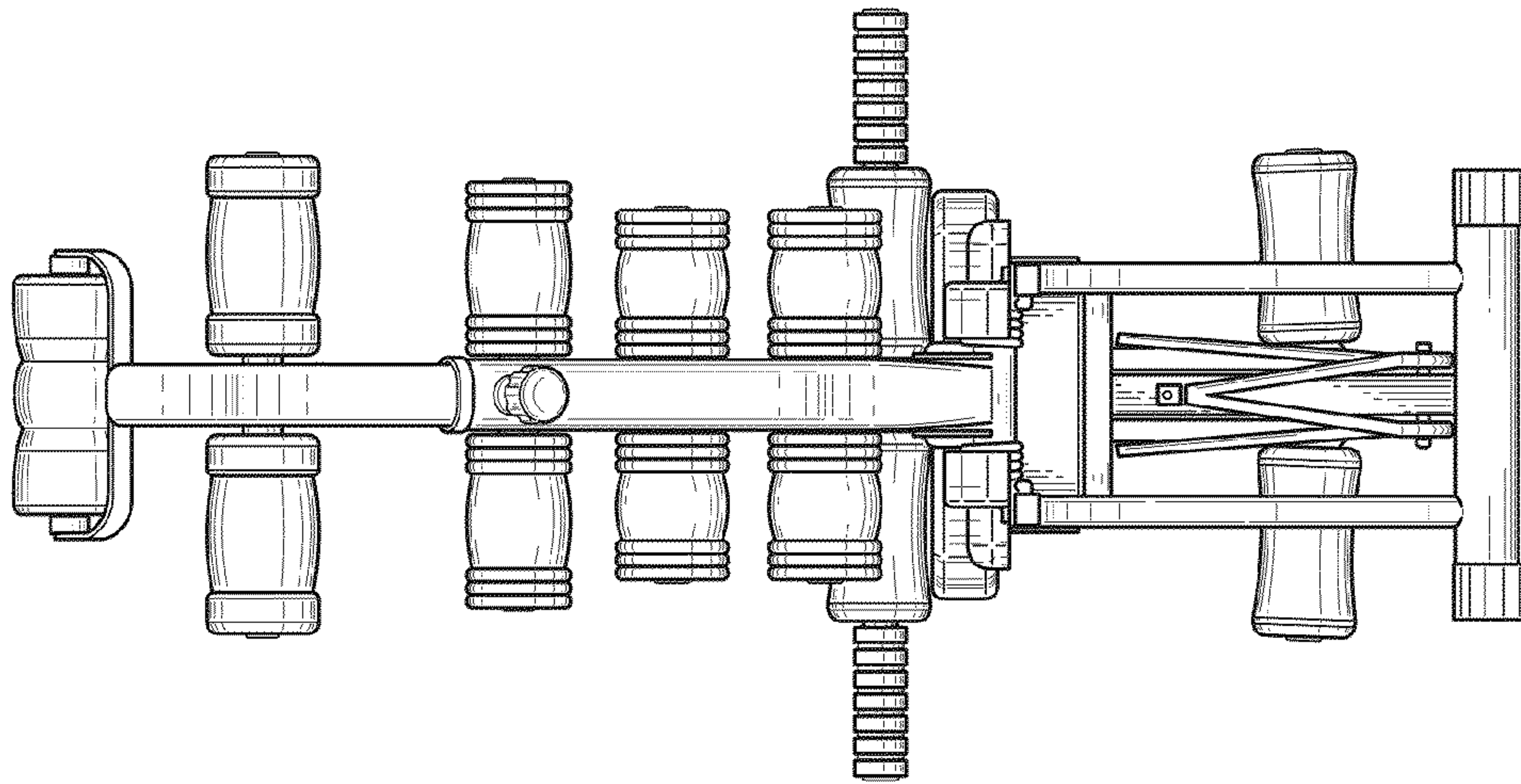


FIG. 5

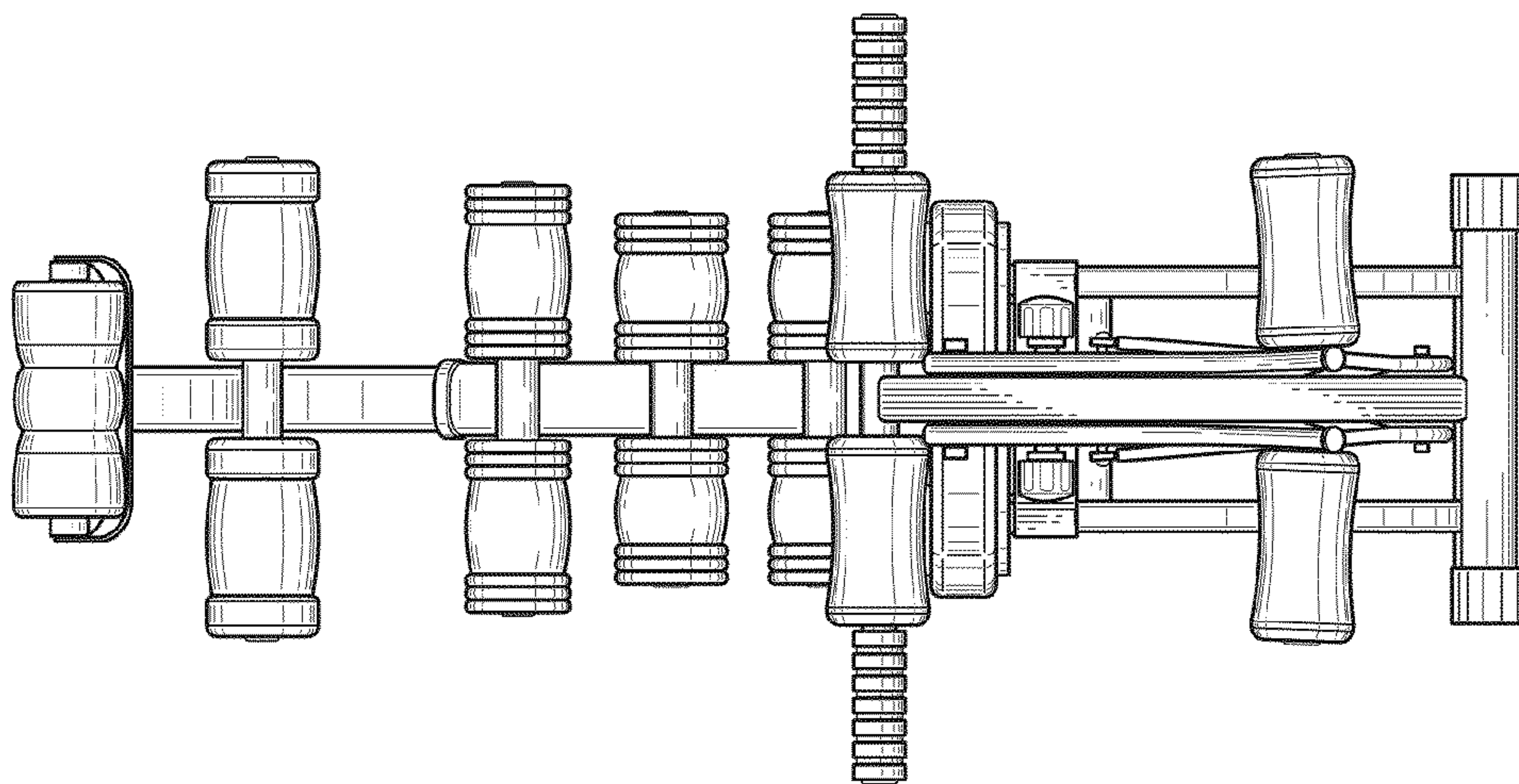


FIG. 4

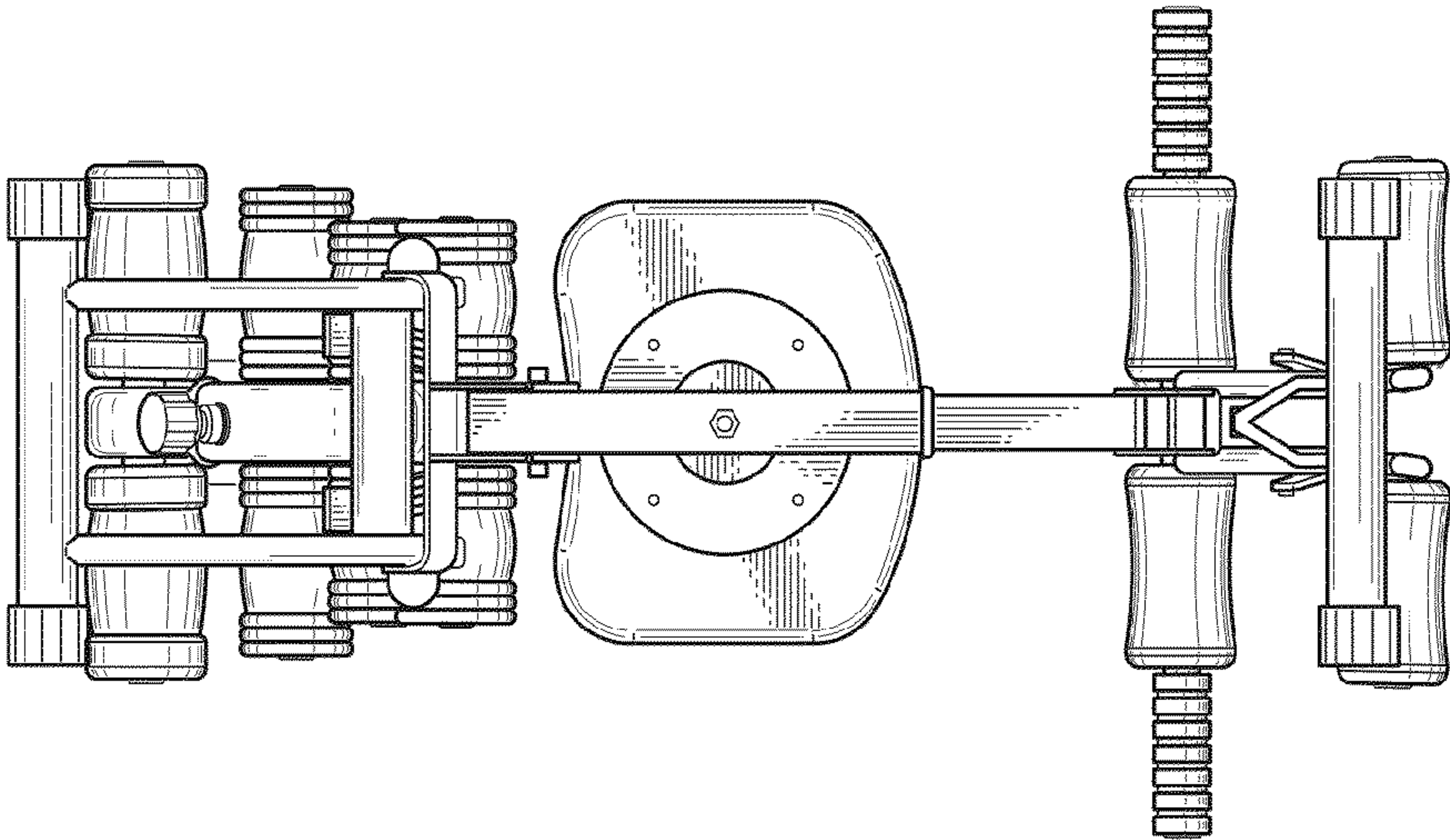


FIG. 7

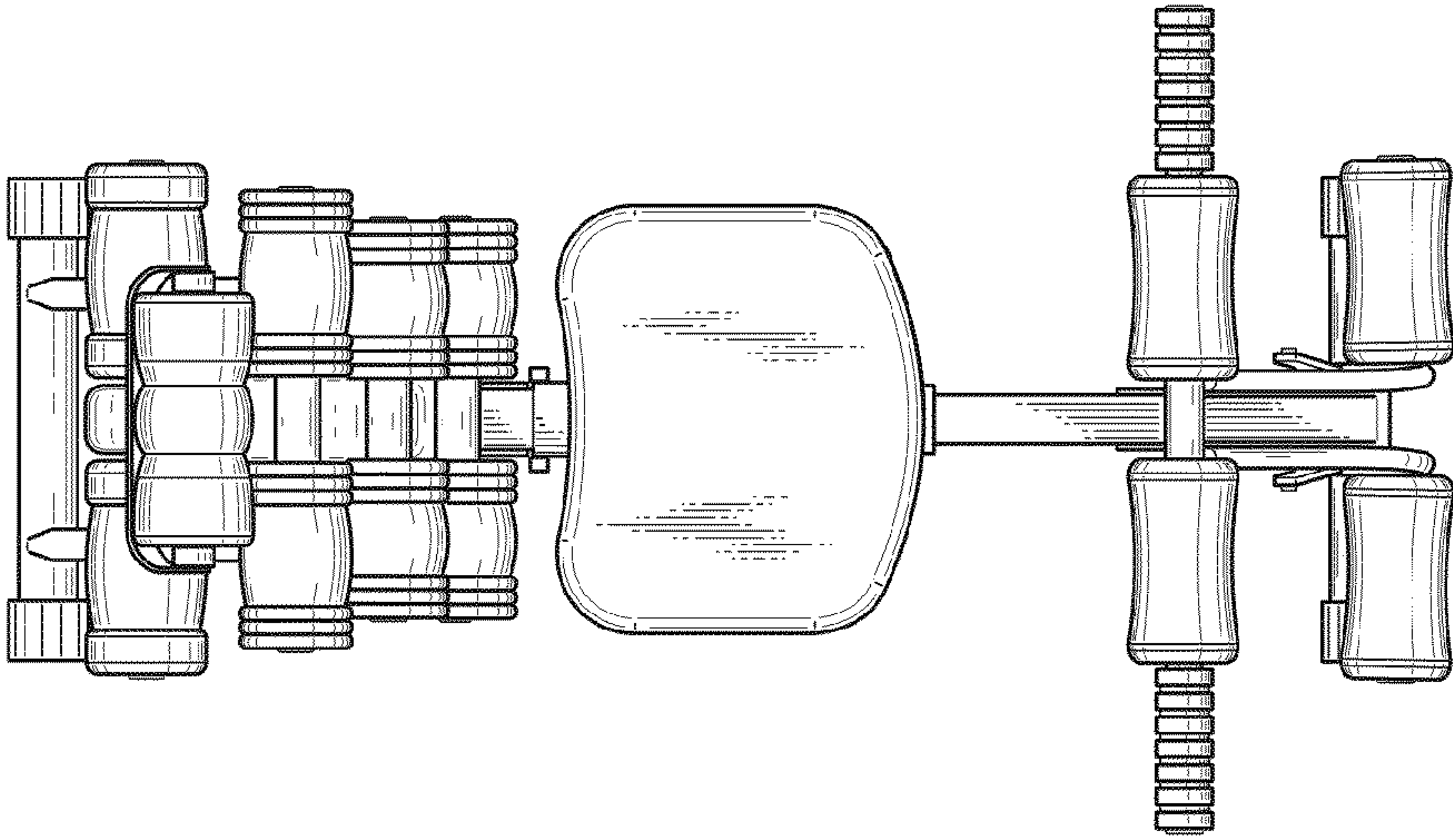


FIG. 6

UNITED STATES PATENT AND TRADEMARK OFFICE  
**CERTIFICATE OF CORRECTION**

PATENT NO. : D730,458 S  
APPLICATION NO. : 29/493561  
DATED : May 26, 2015  
INVENTOR(S) : Xiangjun Zhu

Page 1 of 1

It is certified that error appears in the above-identified patent and that said Letters Patent is hereby corrected as shown below:

On The Title Page, Item (73) Assignee should read –

ZHEJIANG RAYTHEON TECHNOLOGY CO., LTD.  
YONGKANG (CN)

Signed and Sealed this  
Twenty-ninth Day of December, 2015



Michelle K. Lee  
*Director of the United States Patent and Trademark Office*