



US00D730456S

(12) **United States Design Patent**  
**Mahoney et al.**

(10) **Patent No.:** **US D730,456 S**  
(45) **Date of Patent:** **\*\* May 26, 2015**

(54) **EXERCISE AND TRAINING DEVICE**

(71) Applicant: **Da Vinci Body Board, LLC,**  
Ferrisburgh, VT (US)

(72) Inventors: **Floery Mahoney,** Naples, FL (US);  
**Matthew Stevenson,** Westbrook, ME  
(US); **Jon Pettingill,** Westbrook, ME  
(US)

(73) Assignee: **Da Vinci Body Board, LLC,**  
Ferrisburgh, VT (US)

(\*\*) Term: **14 Years**

(21) Appl. No.: **29/466,036**

(22) Filed: **Sep. 4, 2013**

(51) **LOC (10) Cl.** ..... **21-02**

(52) **U.S. Cl.**  
USPC ..... **D21/671**

(58) **Field of Classification Search**  
USPC ..... D21/698, 662, 686, 671, 672, 529, 694;  
602/19; D24/128, 845, 870, 190, 191;  
5/81.1 R, 625, 621, 627, 628; 482/123,  
482/907, 910

See application file for complete search history.

(56) **References Cited**

U.S. PATENT DOCUMENTS

2,191,097	A *	2/1940	Morrison	602/19
2,511,061	A *	6/1950	Hughes	5/627
3,775,782	A *	12/1973	Rice et al.	5/625
4,151,842	A *	5/1979	Miller	602/19
4,267,830	A *	5/1981	Vick	602/19
4,301,791	A *	11/1981	Franco, III	602/19
D267,028	S *	11/1982	Spisak	D21/686
D291,586	S *	8/1987	Bouret	D21/686
4,895,173	A *	1/1990	Brault et al.	128/870
4,993,092	A *	2/1991	Weeks	5/658
5,016,620	A *	5/1991	Matthews	602/19
D321,918	S *	11/1991	Blanchard	D21/686

(Continued)

Primary Examiner — Philip S Hyder

Assistant Examiner — Keith Frank

(74) *Attorney, Agent, or Firm* — Thompson Coburn LLP

(57) **CLAIM**

The ornamental design for an exercise and training device, as shown and described.

**DESCRIPTION**

FIG. 1 is a top perspective view showing the exercise and training device of our new design in a first, unfolded configuration;

FIG. 2 is a bottom perspective view of the exercise and training device of FIG. 1;

FIG. 3 is a top view of the exercise and training device of FIG. 1;

FIG. 4 is a front view of the exercise and training device of FIG. 1 (the rear view being a mirror image of the view of FIG. 4);

FIG. 5 is a partial, bottom view of the exercise and training device of FIG. 1;

FIG. 6 is a left side view of the exercise and training device taken from the side shown in FIG. 5;

FIG. 7 is a partial, bottom view of the exercise and training device of FIG. 1, showing the portion of the exercise and training device not shown in FIG. 5;

FIG. 8 is a right side view of the exercise and training device taken from the side shown in FIG. 7;

FIG. 9 is a perspective view of the exercise and training device of FIG. 1 in an alternate, folded configuration;

FIG. 10 is a bottom perspective view of the exercise and training device of FIG. 9;

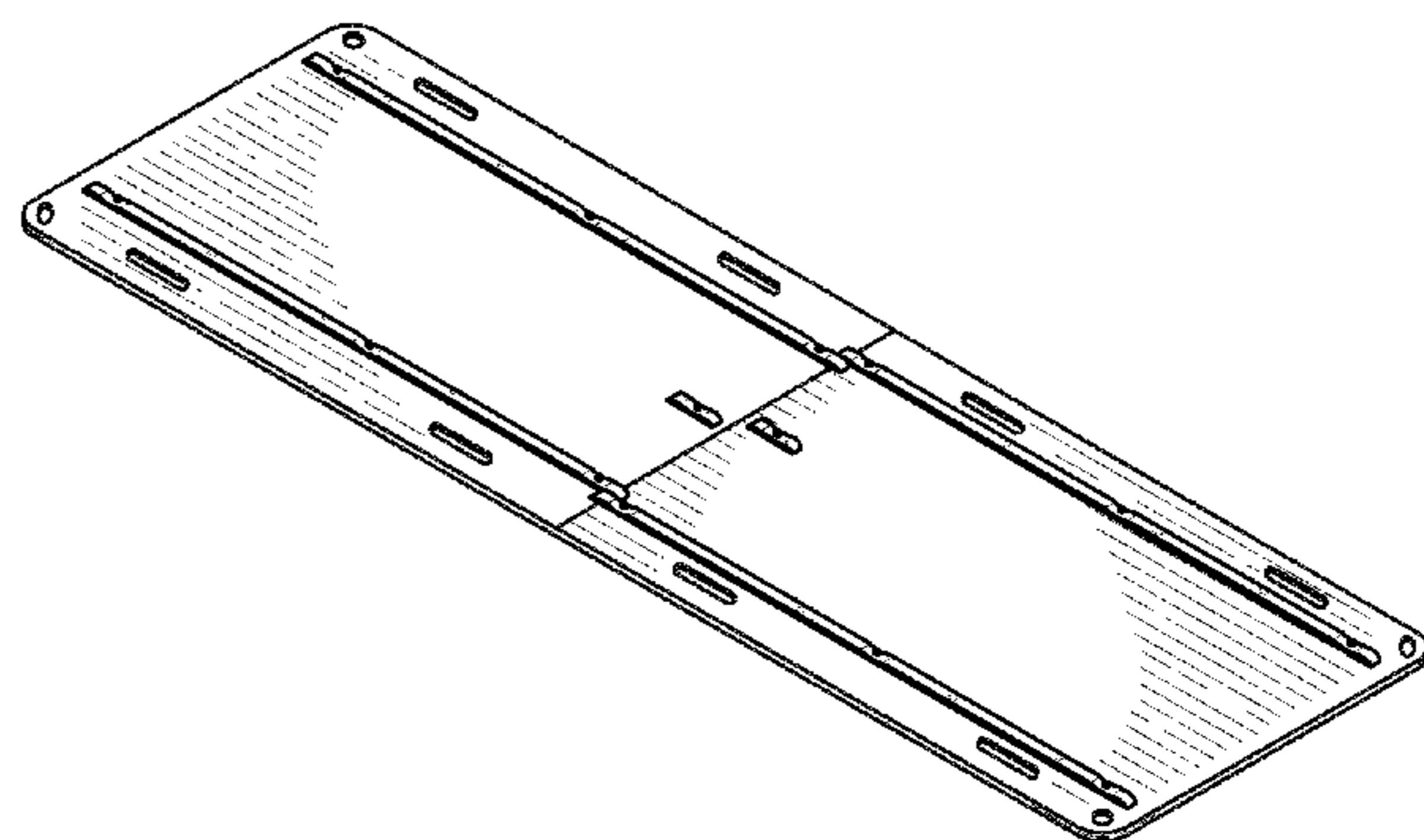
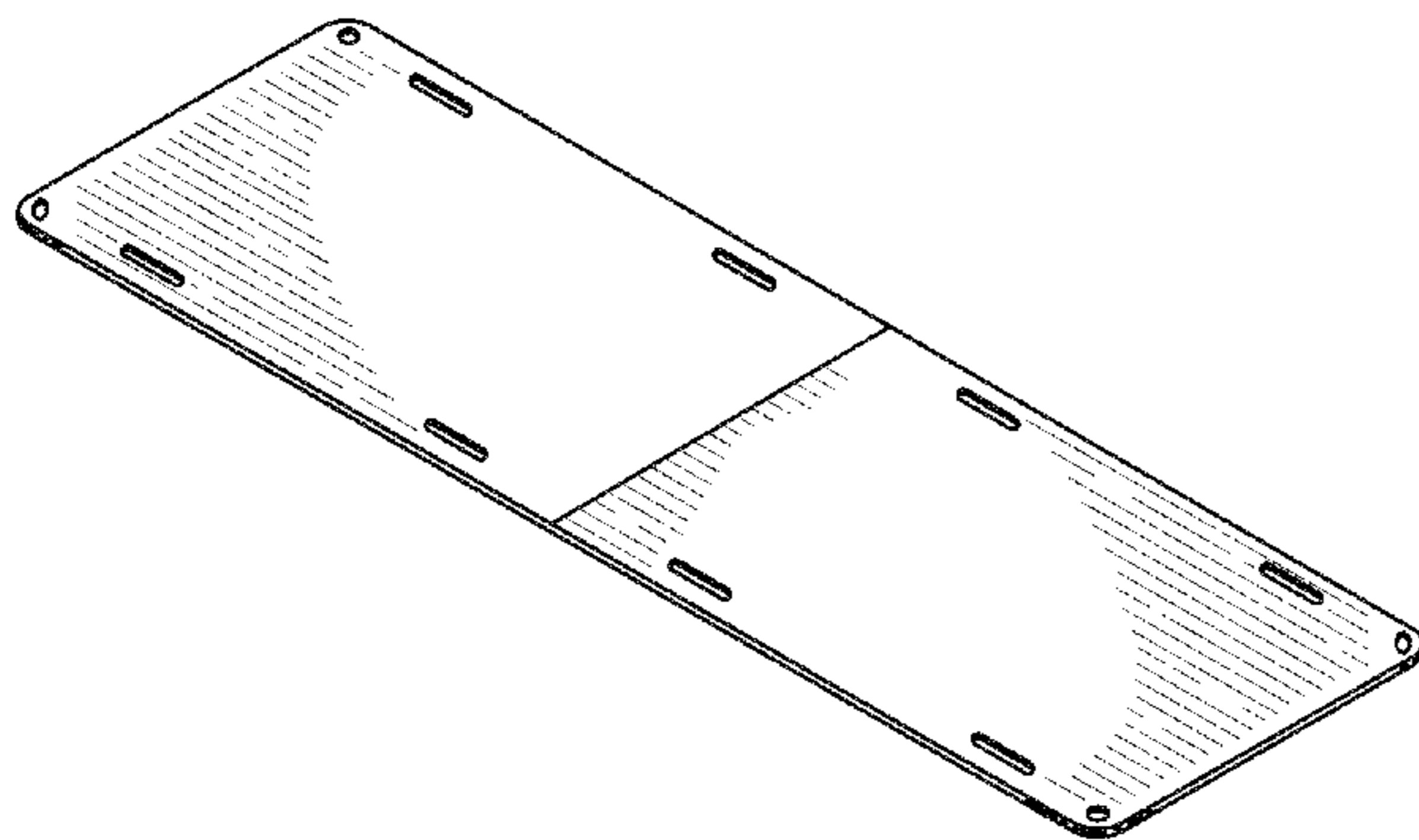
FIG. 11 is a top view of the exercise and training device of FIG. 9 (the bottom view being identical thereto);

FIG. 12 is a right side view of the exercise and training device of FIG. 11;

FIG. 13 is a front side view of the exercise and training device of FIG. 11 (the rear view being a mirror image thereof); and, FIG. 14 is a left side view of the exercise and training device of FIG. 11.

The broken lines shown in FIG. 5 and FIG. 7 define the location where the article is cut off to create the partial view and forms no part of the claimed design.

**1 Claim, 6 Drawing Sheets**



(56)

**References Cited**

U.S. PATENT DOCUMENTS

D336,671 S *	6/1993	Novakoski .....	D21/686	D610,638 S *	2/2010	Friess et al. ....	D21/686
D349,139 S *	7/1994	Markland .....	D21/686	D633,158 S *	2/2011	Bruschke et al. ....	D21/686
5,360,392 A *	11/1994	McCoy .....	602/6	8,046,853 B1 *	11/2011	Von Felden et al. ....	5/627
D355,001 S *	1/1995	Koblick .....	D21/686	D685,593 S *	7/2013	Boyer .....	D6/592
5,529,562 A *	6/1996	Glaser .....	482/146	8,539,622 B2 *	9/2013	West .....	5/621
5,950,627 A *	9/1999	Bologovsky et al. ....	128/869	D701,062 S *	3/2014	Kinsella .....	D6/582
D430,627 S *	9/2000	Bergman .....	D21/686	8,677,530 B2 *	3/2014	Calkin .....	5/628
D495,379 S *	8/2004	Dubus .....	D21/686	8,734,308 B1 *	5/2014	Joslin .....	482/146
6,915,805 B2 *	7/2005	Crutchfield .....	128/870	8,782,833 B2 *	7/2014	Beurguet et al. ....	5/625
				8,832,878 B2 *	9/2014	McGann .....	5/621
				8,863,333 B2 *	10/2014	Cain et al. ....	5/626

\* cited by examiner

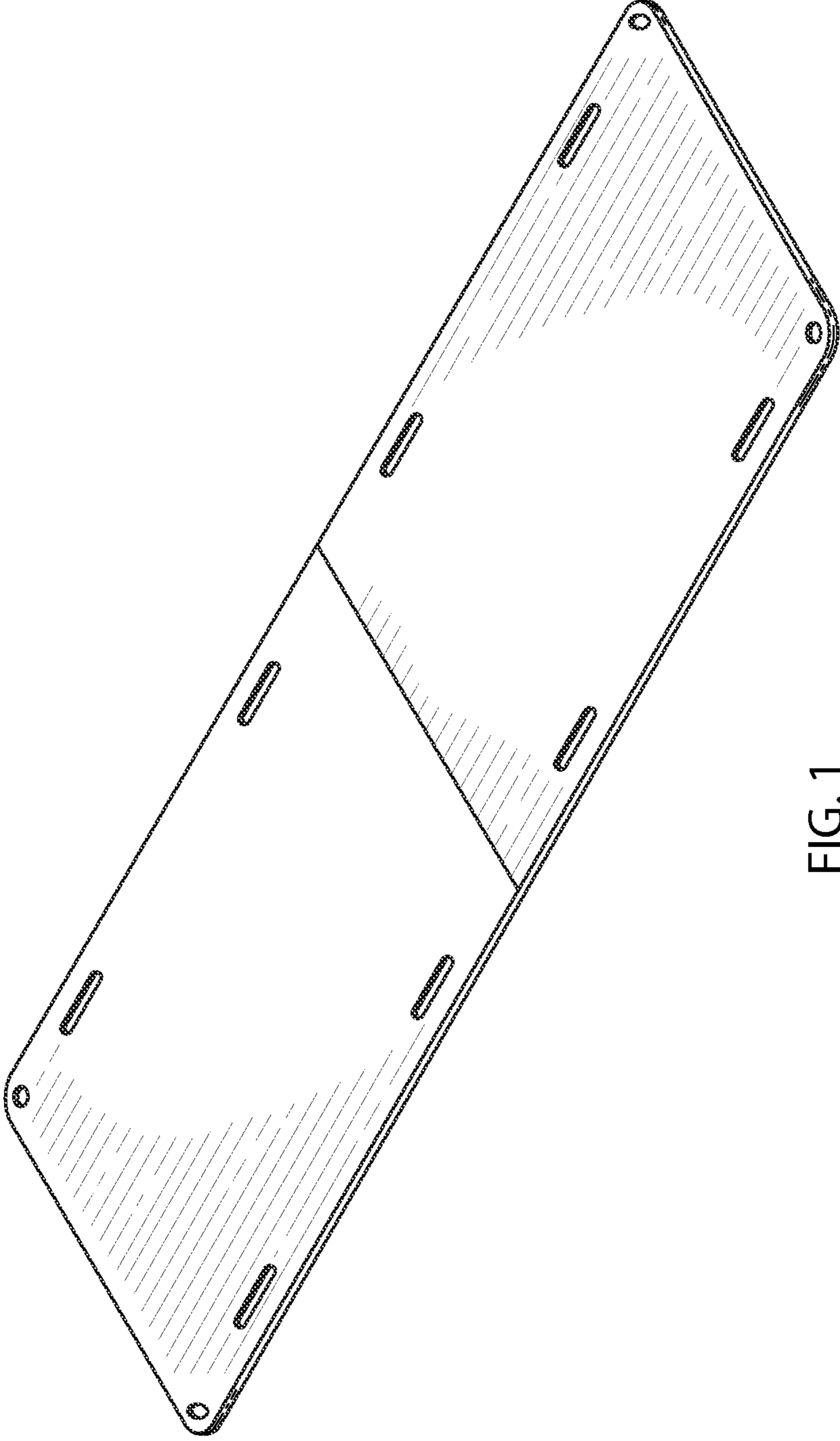


FIG. 1

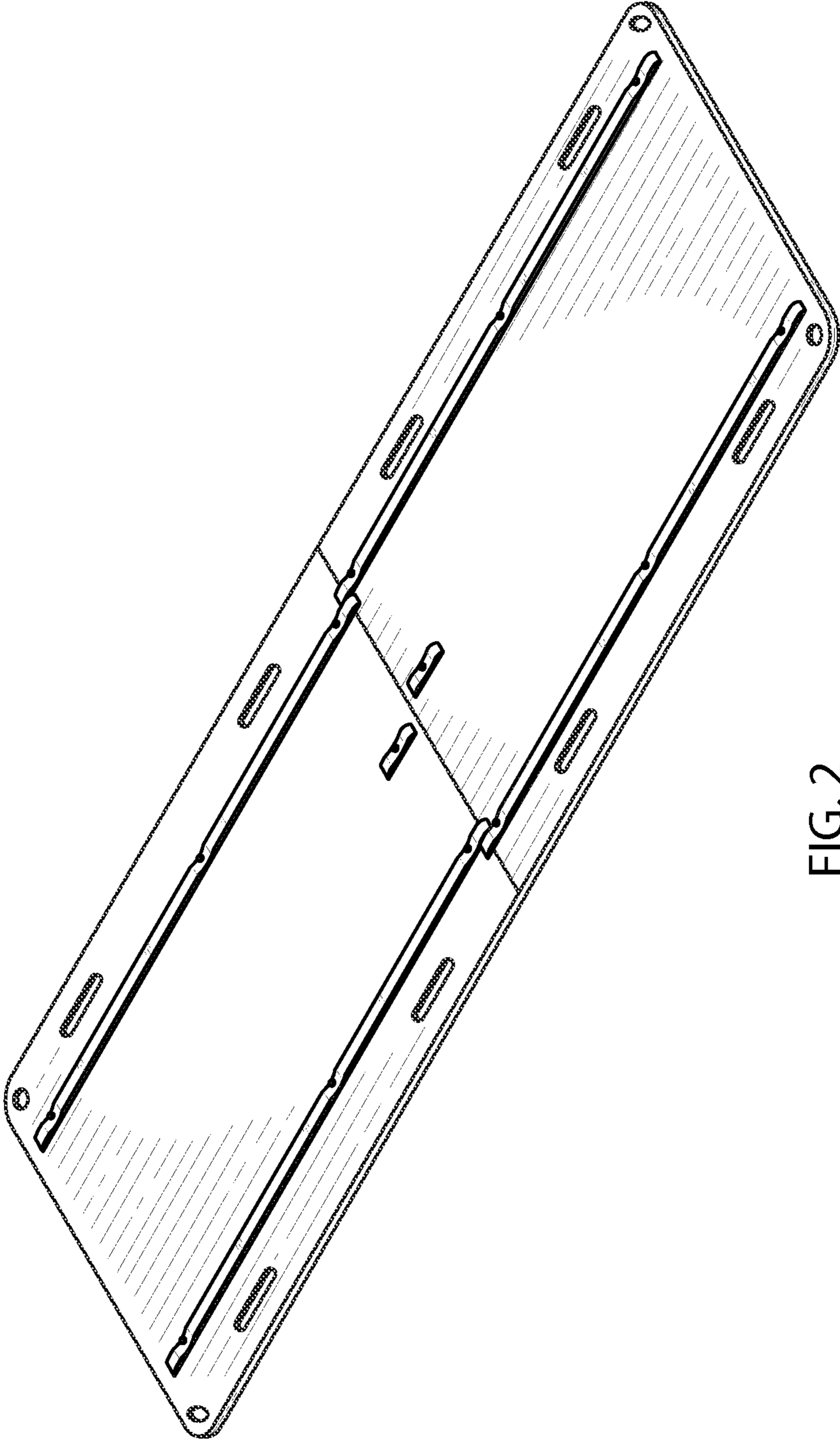


FIG. 2

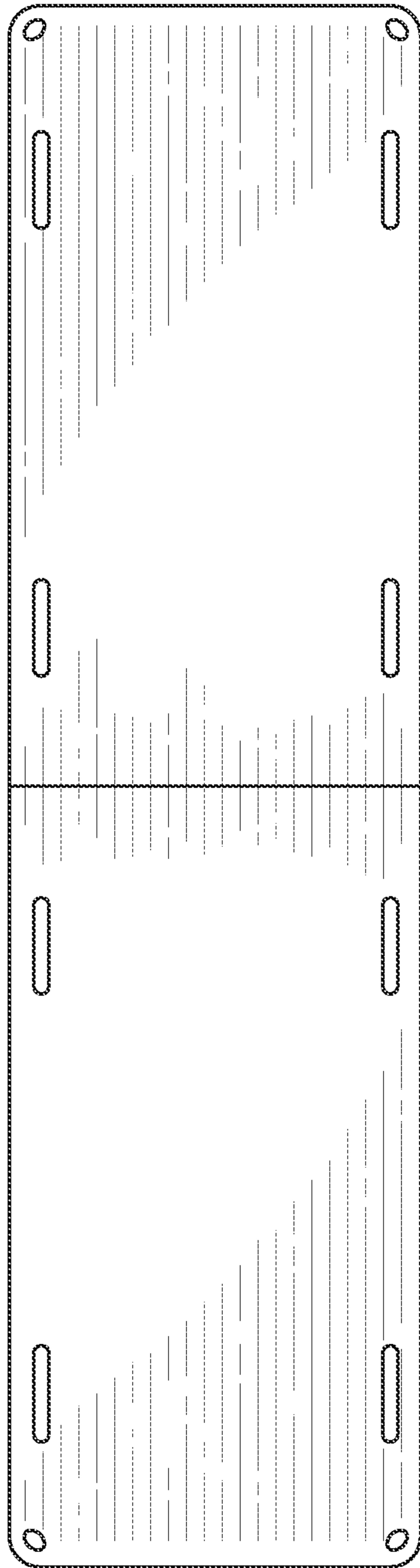


FIG. 3



FIG. 4

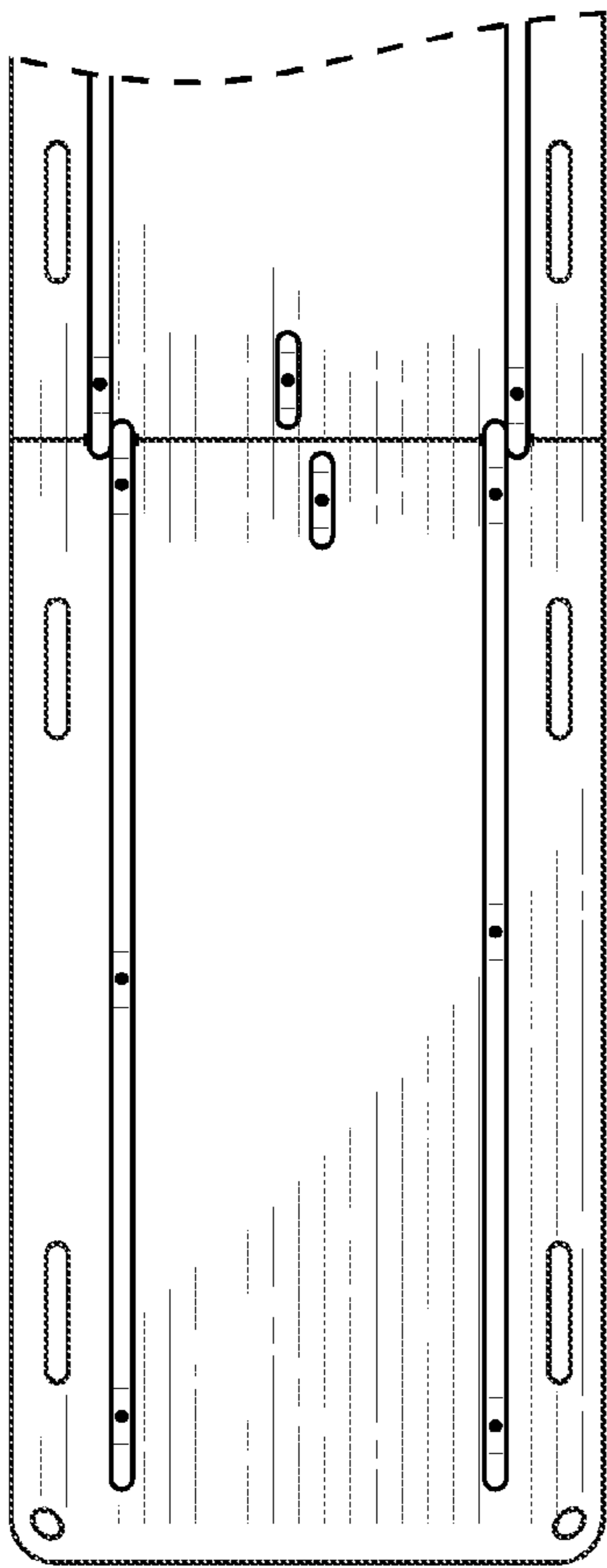


FIG. 5



FIG. 6



FIG. 8

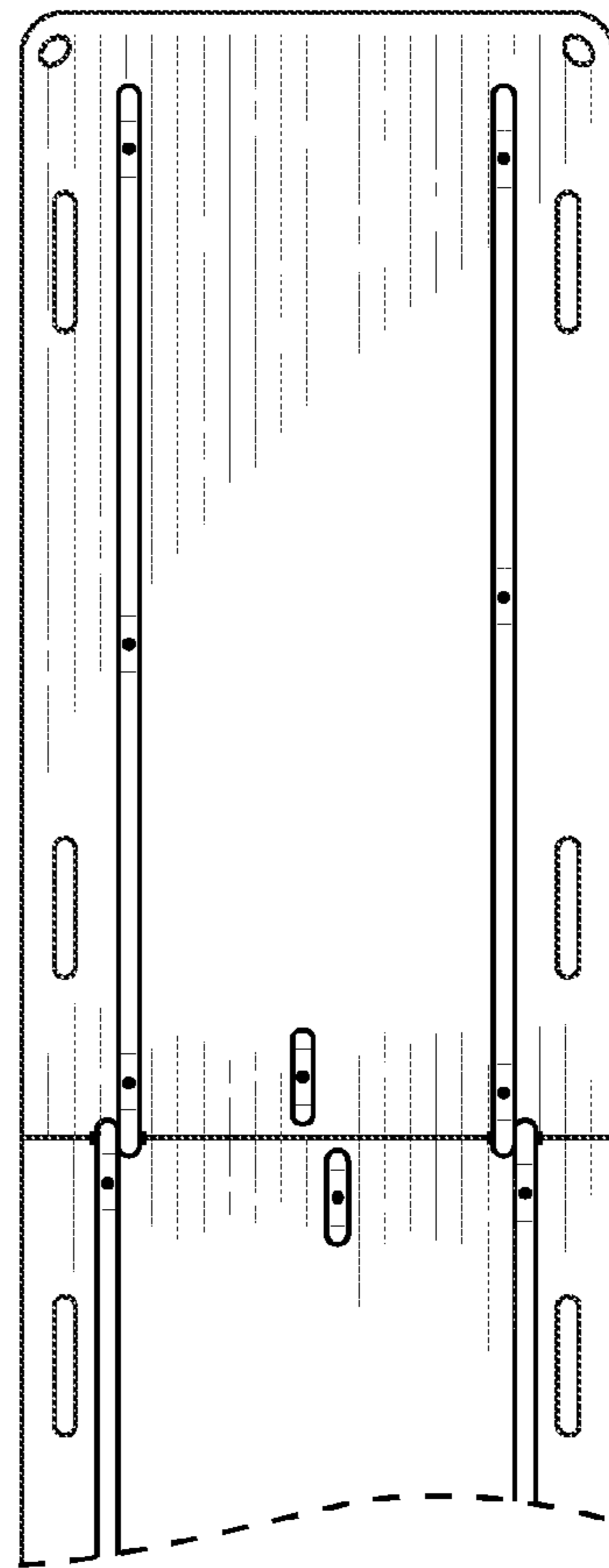


FIG. 7

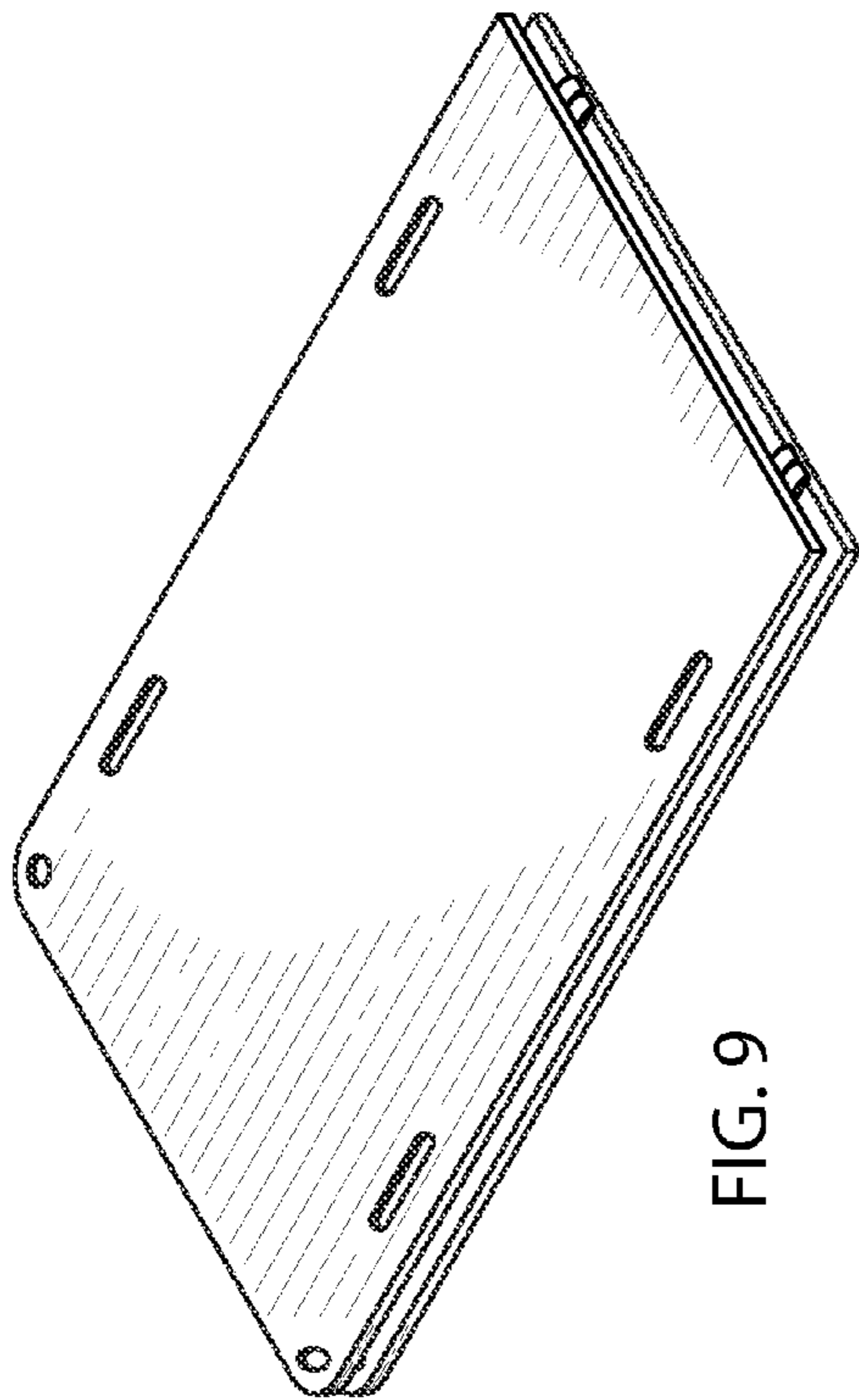


FIG. 9

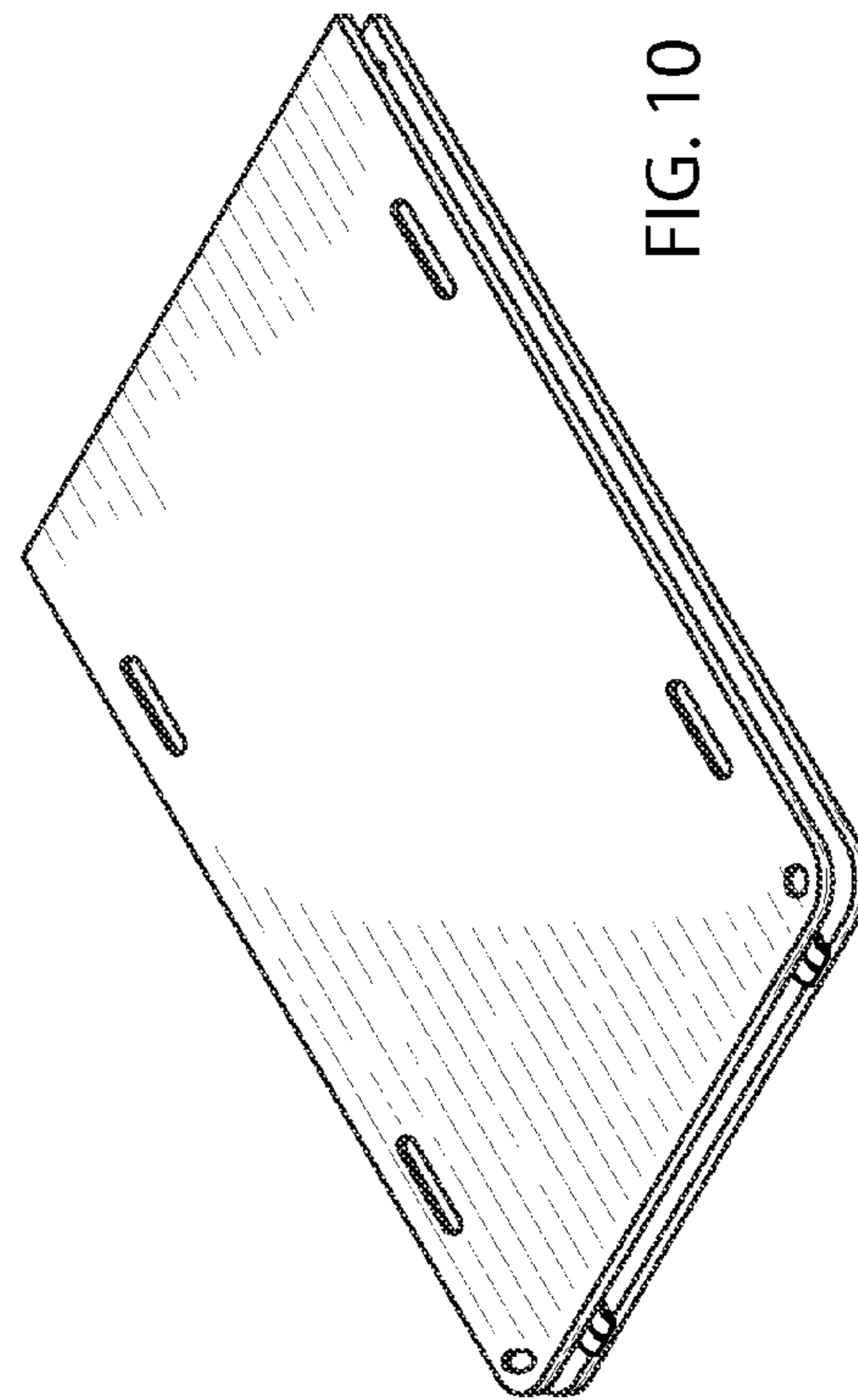


FIG. 10



FIG. 12

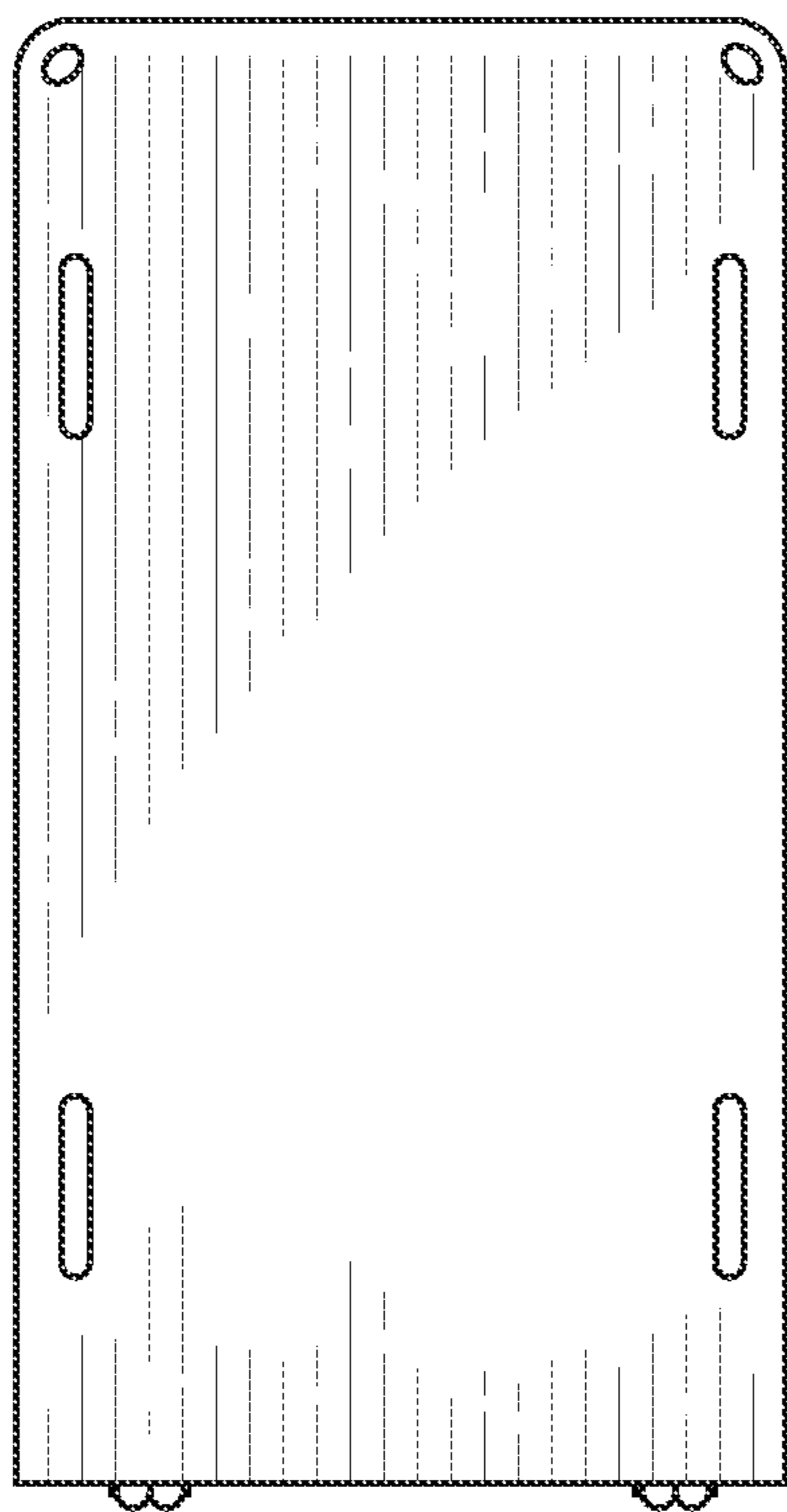


FIG. 11



FIG. 14



FIG. 13