



US00D730455S

(12) **United States Design Patent**
Burris

(10) **Patent No.:** **US D730,455 S**

(45) **Date of Patent:** **** May 26, 2015**

(54) **ROLLING ABDOMINAL EXERCISER**

(71) Applicant: **Damien Burris**, Lancaster, CA (US)

(72) Inventor: **Damien Burris**, Lancaster, CA (US)

(**) Term: **14 Years**

(21) Appl. No.: **29/493,273**

(22) Filed: **Jun. 6, 2014**

(51) **LOC (10) Cl.** **21-02**

(52) **U.S. Cl.**
USPC **D21/662**

(58) **Field of Classification Search**
USPC 482/142, 122, 115, 108, 145, 140, 105,
482/111, 123, 121, 126, 144, 143, 148, 106,
482/130, 129, 132, 96, 131, 133, 124, 110,
482/127, 72, 147, 51, 71, 139, 97, 92, 137,
482/98, 1, 907, 95, 112; 206/315.1, 45.2;
D21/687, 662, 690, 676, 423, 691;
273/449; 472/103; 297/259.1, 16.1,
297/175, 445.1, 353; 446/482; 607/48, 149,
607/77, 148; 140/121, 122, 123, 124, 90;
601/24; D24/190; D6/601

See application file for complete search history.

(56) **References Cited**

U.S. PATENT DOCUMENTS

4,595,197	A	6/1986	Hagstrom et al.	
D303,887	S *	10/1989	Reid	D6/499
D306,886	S *	3/1990	Shiek et al.	D21/662
4,936,571	A *	6/1990	Buhr	482/105
D388,848	S *	1/1998	Sontz et al.	D21/679
D422,819	S *	4/2000	Fong	D6/523
6,132,345	A *	10/2000	Beierschmitt et al.	482/108

6,203,476	B1	3/2001	Wang et al.	
D449,863	S *	10/2001	Kinde	D21/682
6,328,680	B1 *	12/2001	Shifferaw	482/132
D489,001	S *	4/2004	Martin	D9/668
D516,901	S *	3/2006	Murray	D8/376
D520,364	S *	5/2006	Abadinsky	D9/502
D532,229	S *	11/2006	Hoernig et al.	D6/523
7,407,465	B1	8/2008	Alzamora, Sr. et al.	
D584,059	S *	1/2009	Arvinte et al.	D4/122
D609,968	S *	2/2010	Stern	D7/510
D628,085	S *	11/2010	Hanak	D9/668
D644,073	S *	8/2011	Nottke	D7/697
D657,010	S *	4/2012	Cen	D21/681
8,708,874	B2 *	4/2014	Chen	482/132
D704,852	S *	5/2014	Yang	D24/211
2002/0098956	A1 *	7/2002	Rattray	482/108
2014/0114221	A1 *	4/2014	Indermill et al.	601/120

* cited by examiner

Primary Examiner — Robert M Spear

Assistant Examiner — Ryan Harvey

(74) *Attorney, Agent, or Firm* — Crossley Patent Law

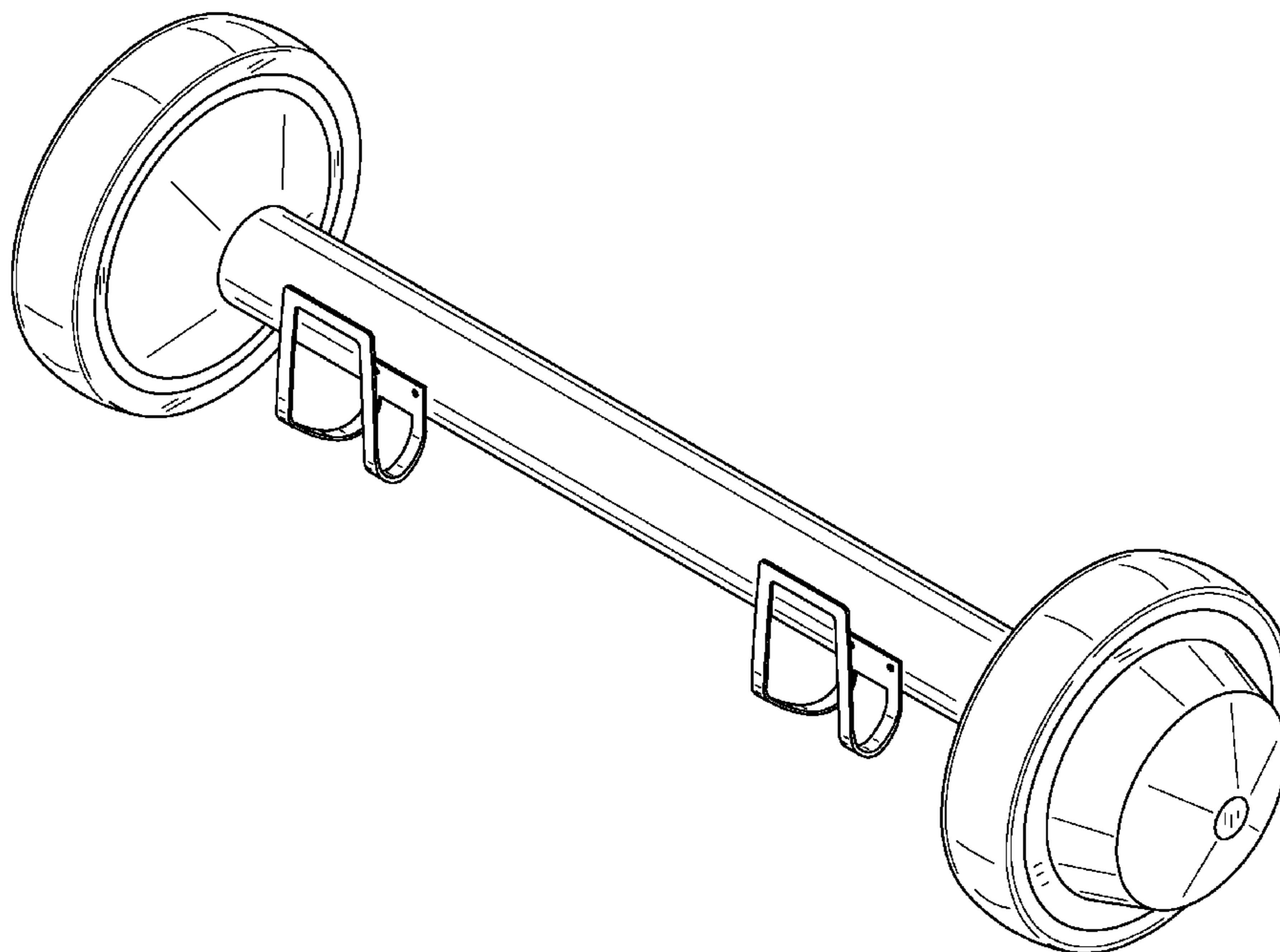
(57) **CLAIM**

The ornamental design for a rolling abdominal exerciser, as shown and described.

DESCRIPTION

FIG. 1 is a front elevation view of a rolling abdominal exerciser showing my new design;
FIG. 2 is a rear elevation view thereof;
FIG. 3 is a right side elevation view thereof, the opposite side being a mirror image of the shown;
FIG. 4 is a top plan view thereof;
FIG. 5 is bottom plan view thereof; and,
FIG. 6 is an isometric view thereof.

1 Claim, 3 Drawing Sheets



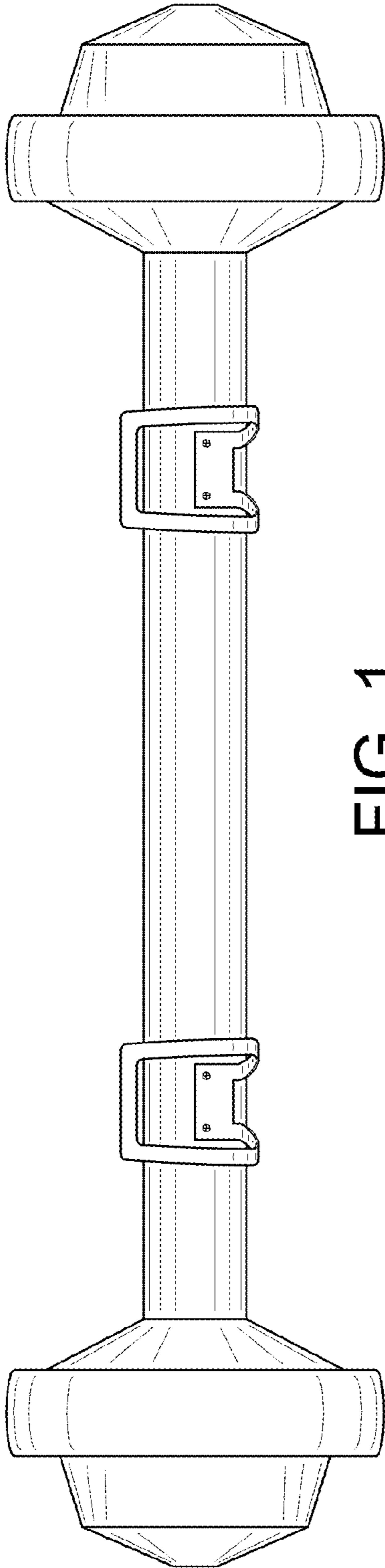


FIG. 1

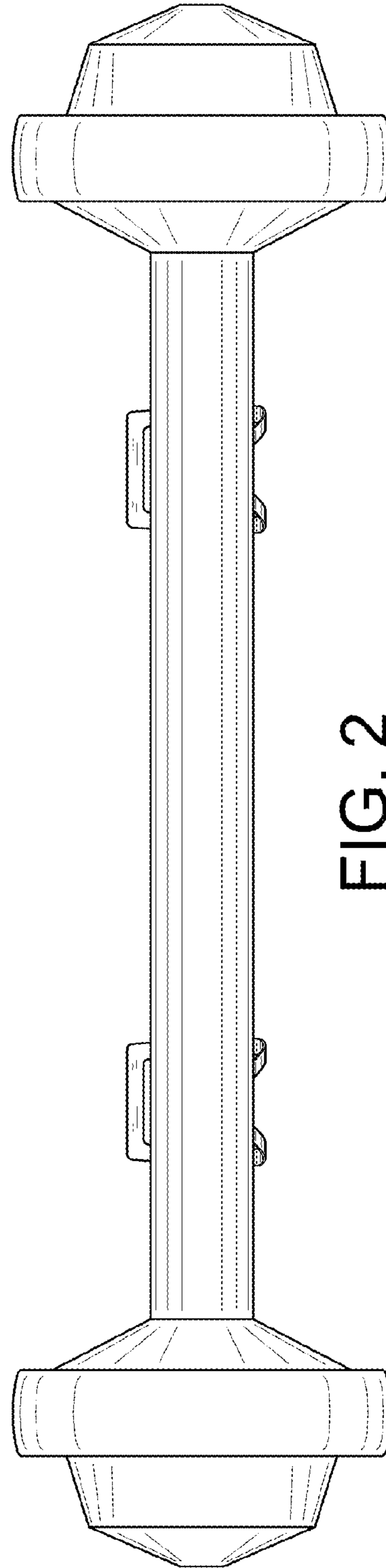


FIG. 2

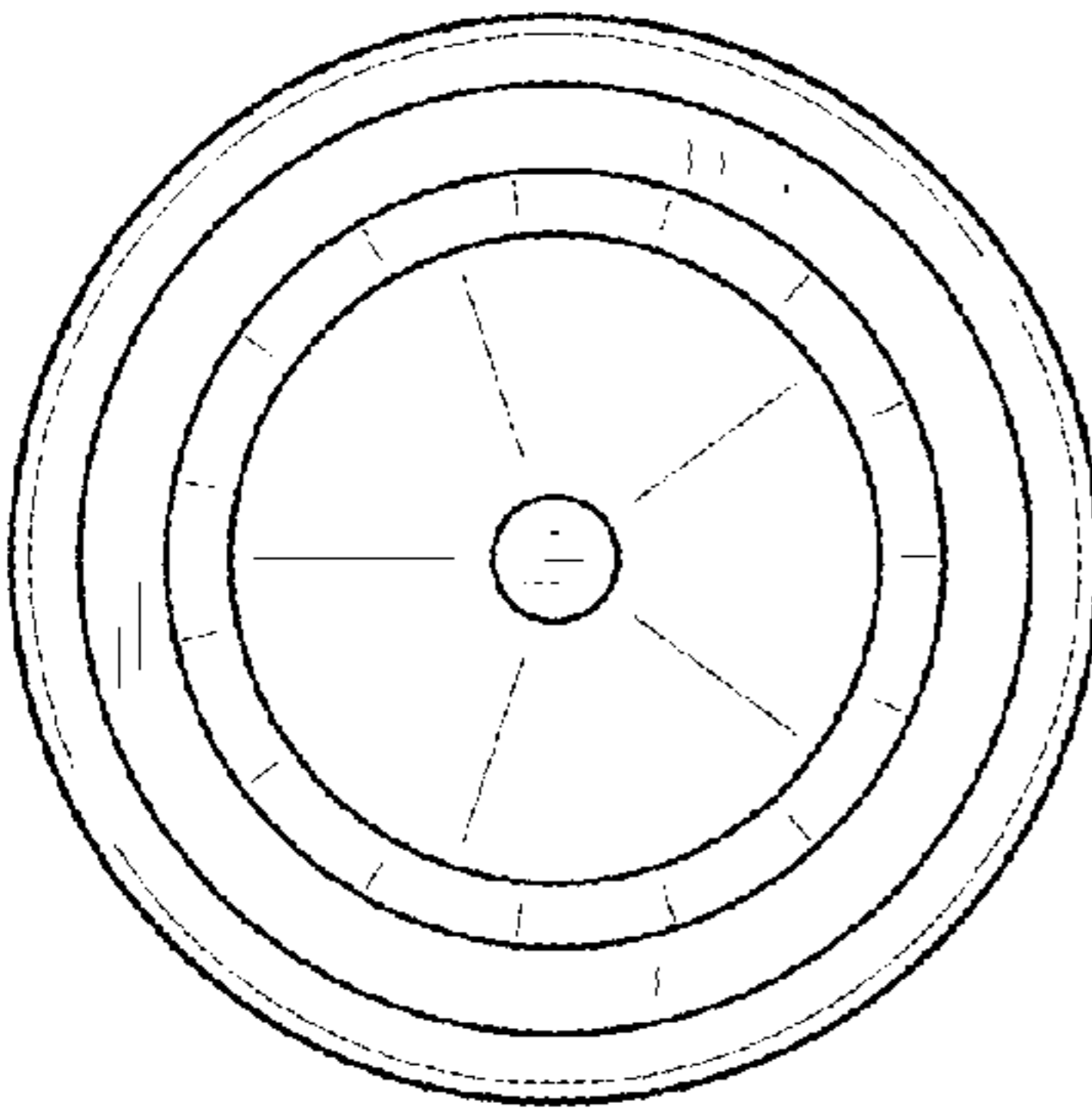


FIG. 3

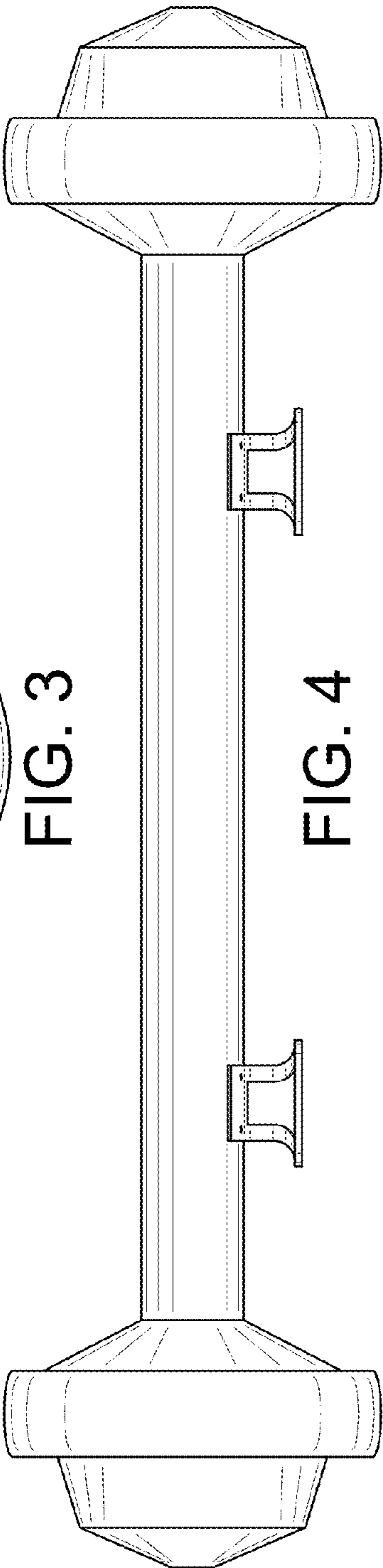


FIG. 4

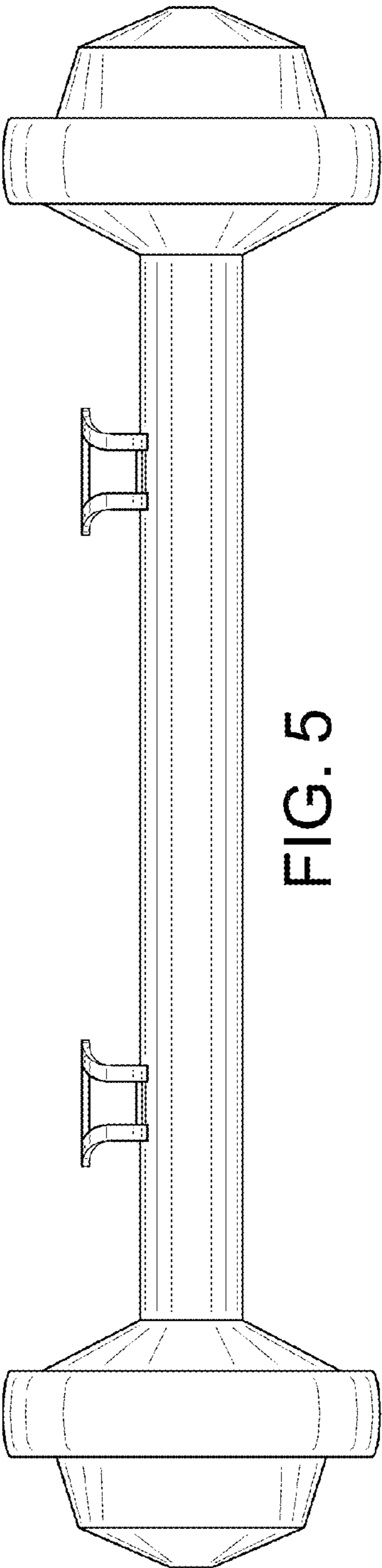


FIG. 5

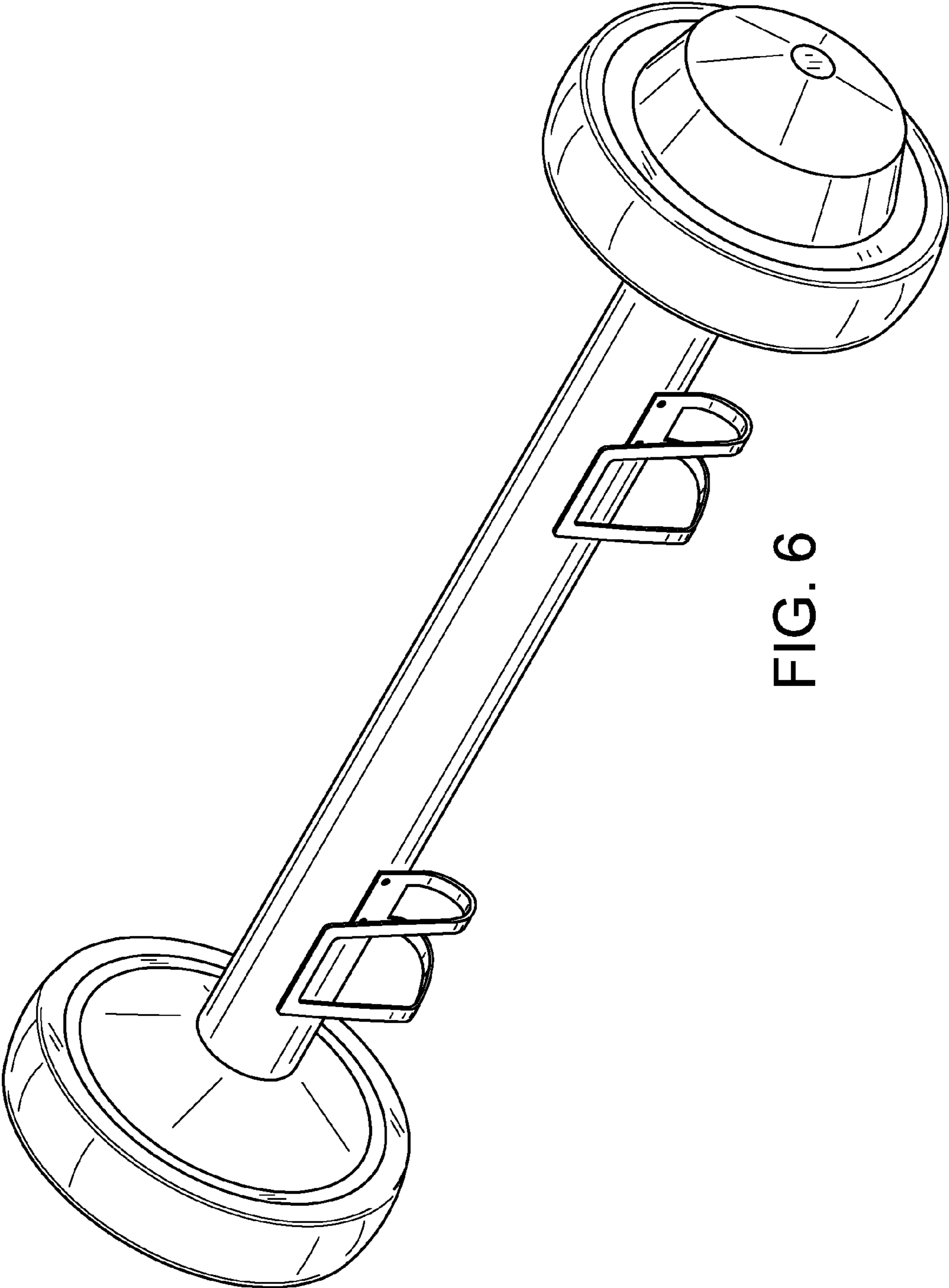


FIG. 6