

US00D730454S

(12) **United States Design Patent**
Frawley

(10) **Patent No.:** **US D730,454 S**

(45) **Date of Patent:** **** May 26, 2015**

(54) **TOY FLYING CRAFT**

(71) Applicant: **Sean Michael Frawley**, Hong Kong
(CN)

(72) Inventor: **Sean Michael Frawley**, Hong Kong
(CN)

(**) Term: **14 Years**

(21) Appl. No.: **29/471,948**

(22) Filed: **Nov. 6, 2013**

(51) **LOC (10) Cl.** **21-01**

(52) **U.S. Cl.**
USPC **D21/441**; D21/436

(58) **Field of Classification Search**
CPC A63H 27/00; A63H 27/005; A63H 27/12;
F03D 3/00; F03D 3/02; F03D 3/06
USPC D21/436, 441, 442, 447, 450, 451, 452,
D21/453; 446/34, 35, 36, 37, 38, 40, 42, 57,
446/58, 236; 102/335, 347, 353; D12/16.1,
D12/319, 326-329, 344
See application file for complete search history.

(56) **References Cited**

U.S. PATENT DOCUMENTS

962,172	A *	6/1910	Smith	446/58
1,481,826	A *	1/1924	Brown	446/37
1,554,065	A *	9/1925	Blair	102/335
1,802,386	A *	4/1931	Kline	446/40
1,965,911	A *	7/1934	Spinks	446/42
D139,744	S *	12/1944	Faber	D21/441
2,418,269	A	4/1947	Lewis		
2,445,906	A	7/1948	Chizmadia		

D183,794	S *	10/1958	Gardner	D21/441
D199,403	S *	10/1964	Boswell	D21/441
3,488,882	A	1/1970	Scott		
D220,820	S *	5/1971	Seefluth	D21/441
4,271,629	A *	6/1981	Goodwin	446/58
5,413,514	A *	5/1995	Milligan	446/36
5,492,494	A	2/1996	Keennon		
5,836,800	A *	11/1998	Liu	446/236
6,793,172	B2	9/2004	Liotta		
7,445,536	B2	11/2008	Lee et al.		
D620,537	S *	7/2010	Bopp	D21/441
7,780,498	B1	8/2010	Caspi et al.		
8,430,709	B1 *	4/2013	Wong	446/34

* cited by examiner

Primary Examiner — Martie K Holtje

(74) *Attorney, Agent, or Firm* — Millman IP Inc.

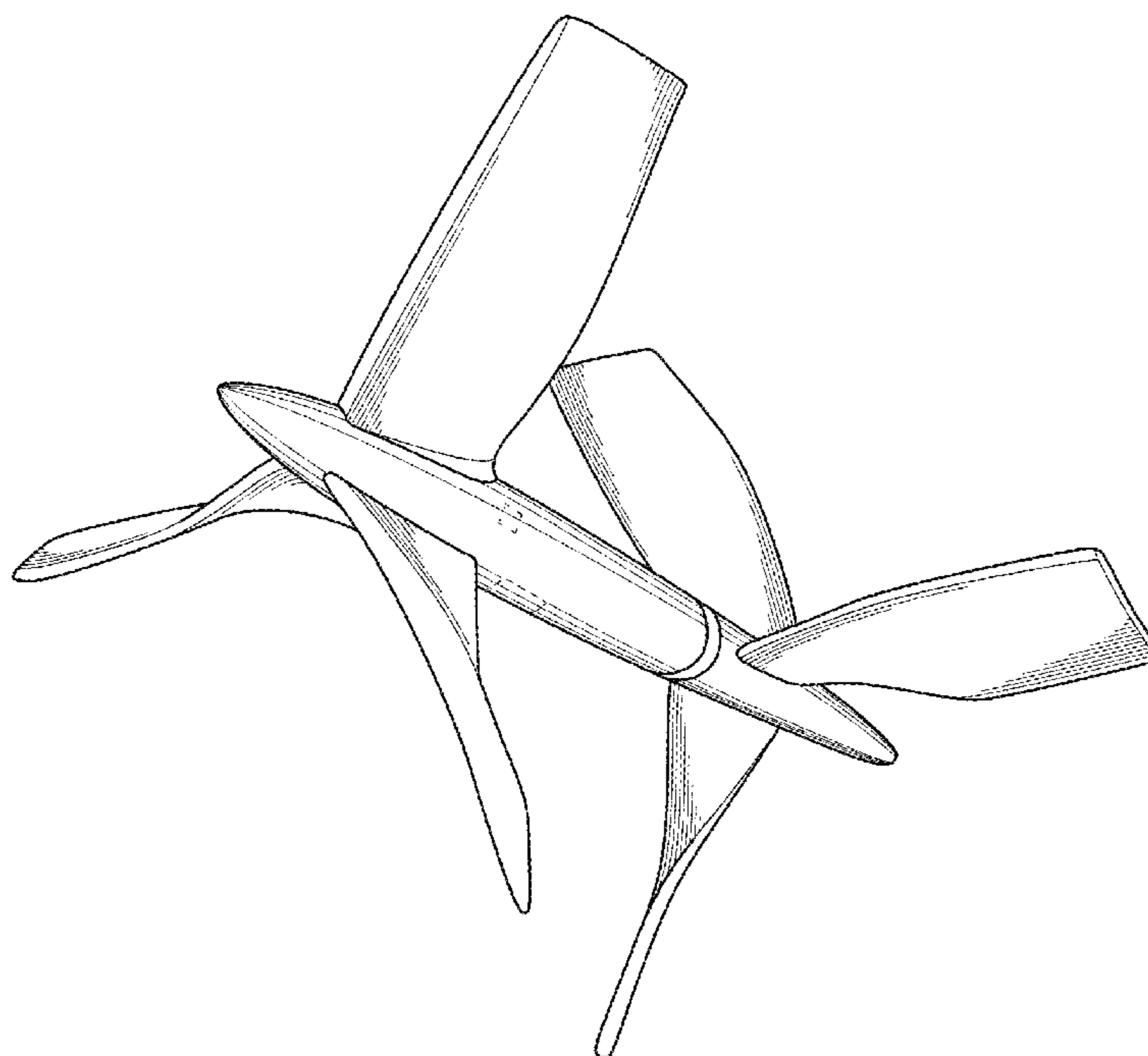
(57) **CLAIM**

The ornamental design for a toy flying craft, as shown and described.

DESCRIPTION

FIG. 1 is a perspective view from above and to one side of the new design for a toy flying craft;
FIG. 2 is a left side elevation view thereof;
FIG. 3 is a right side elevation view thereof;
FIG. 4 is a front elevation view thereof;
FIG. 5 is a rear elevation view thereof;
FIG. 6 is a top view thereof; and,
FIG. 7 is a bottom view thereof.
The structural features depicted by broken lines have been shown for the purpose of illustrating portions of the toy flying craft that form no part of the claimed design.

1 Claim, 6 Drawing Sheets



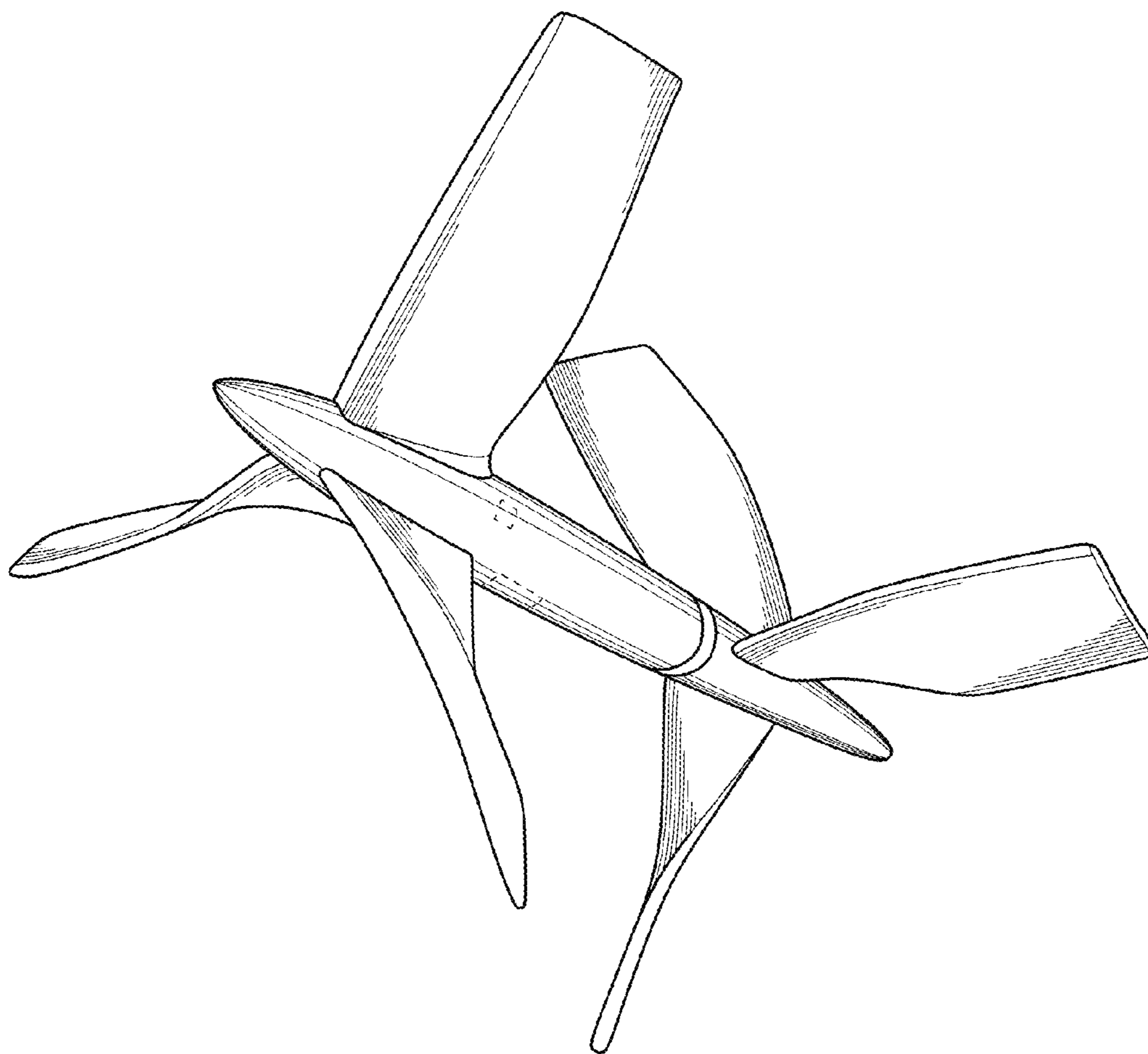


FIG. 1

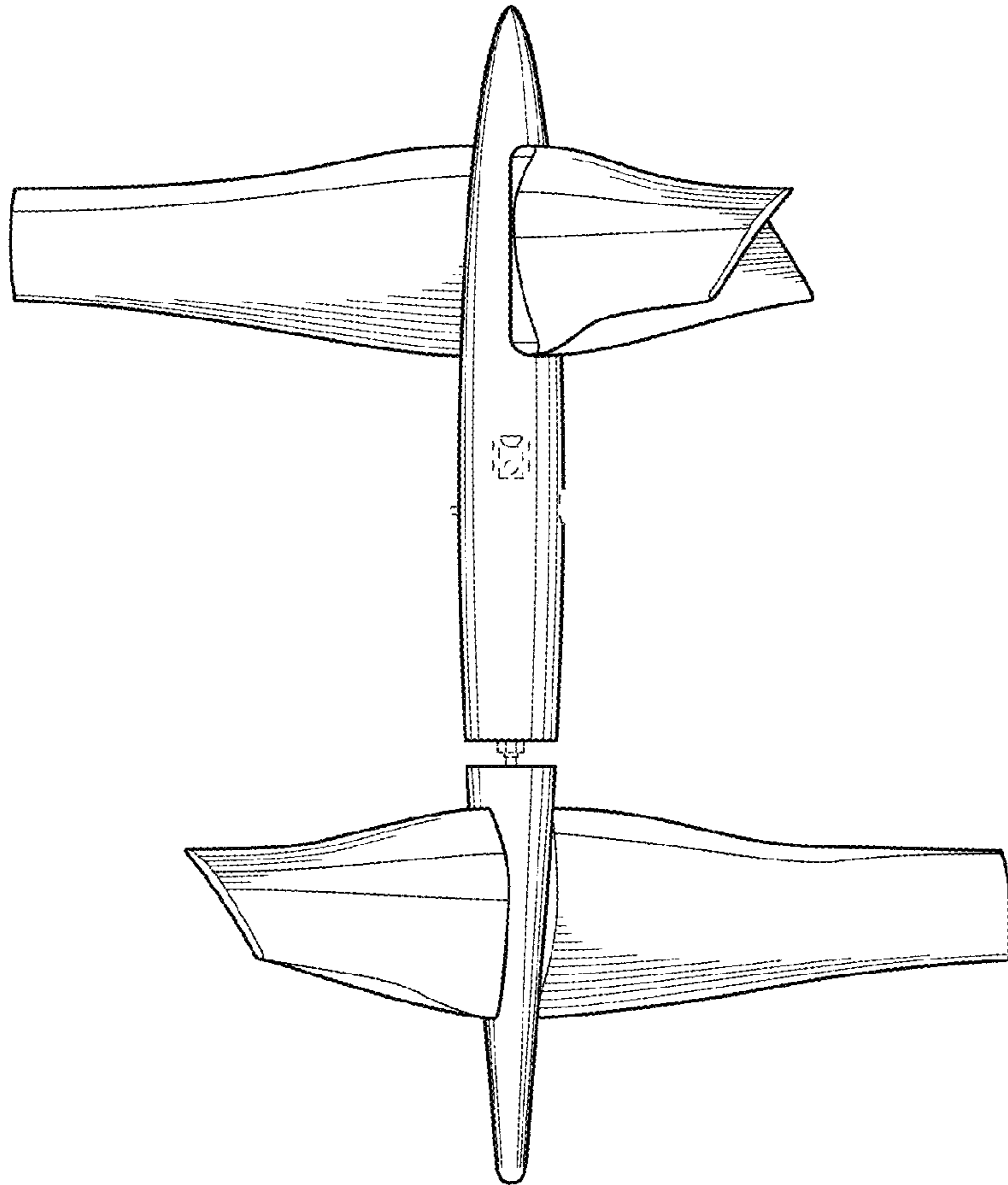


FIG. 2

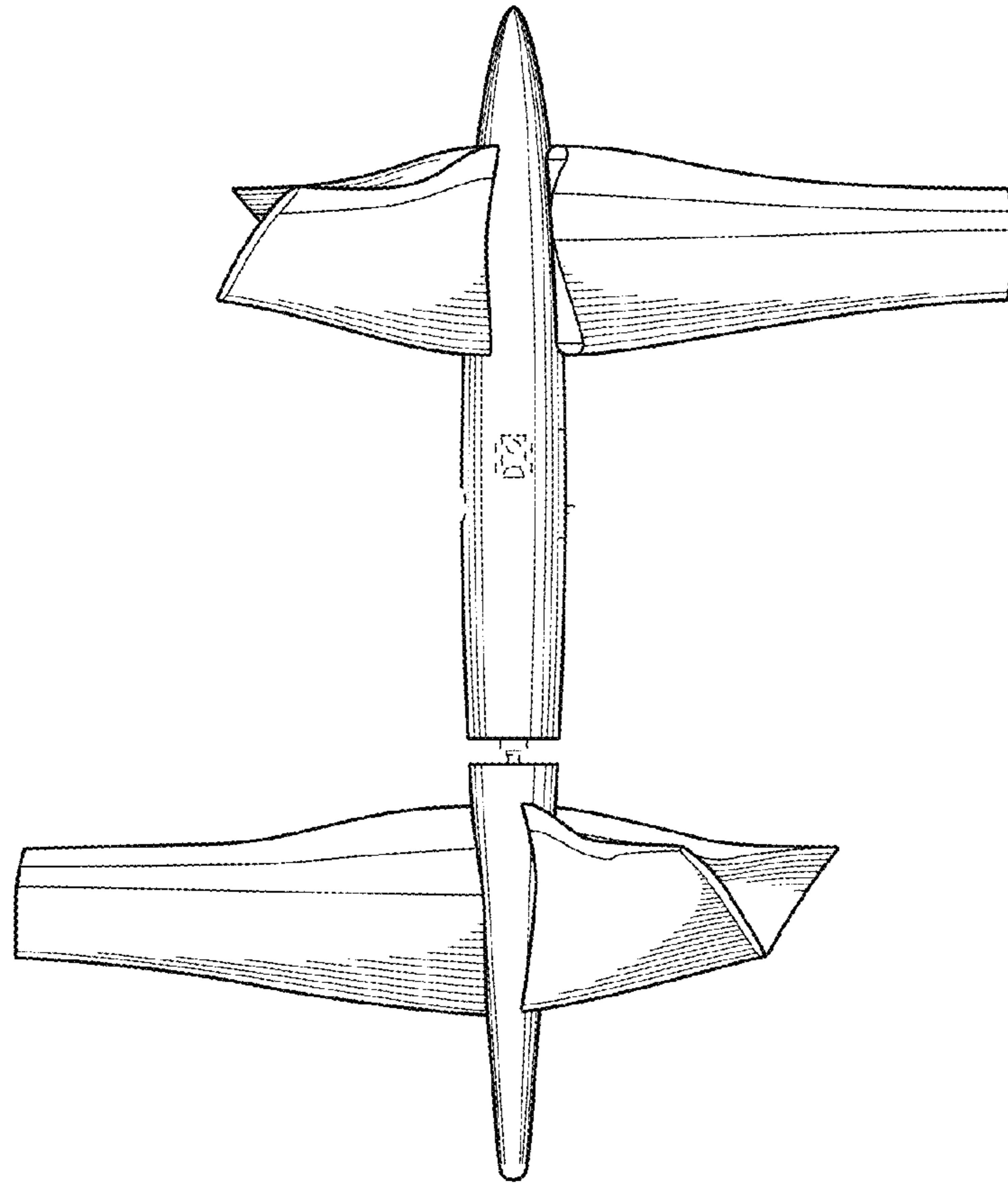


FIG. 3

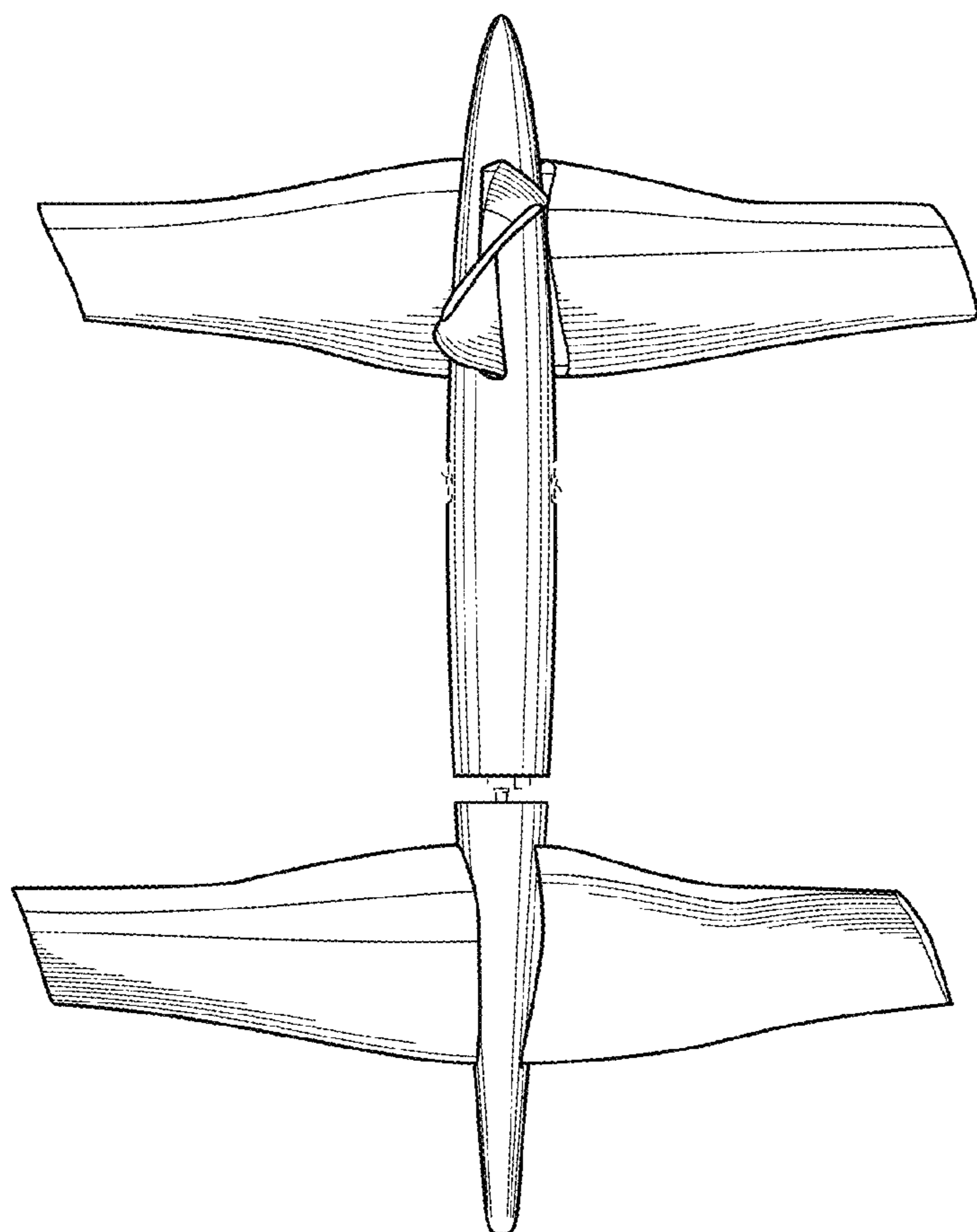


FIG. 4

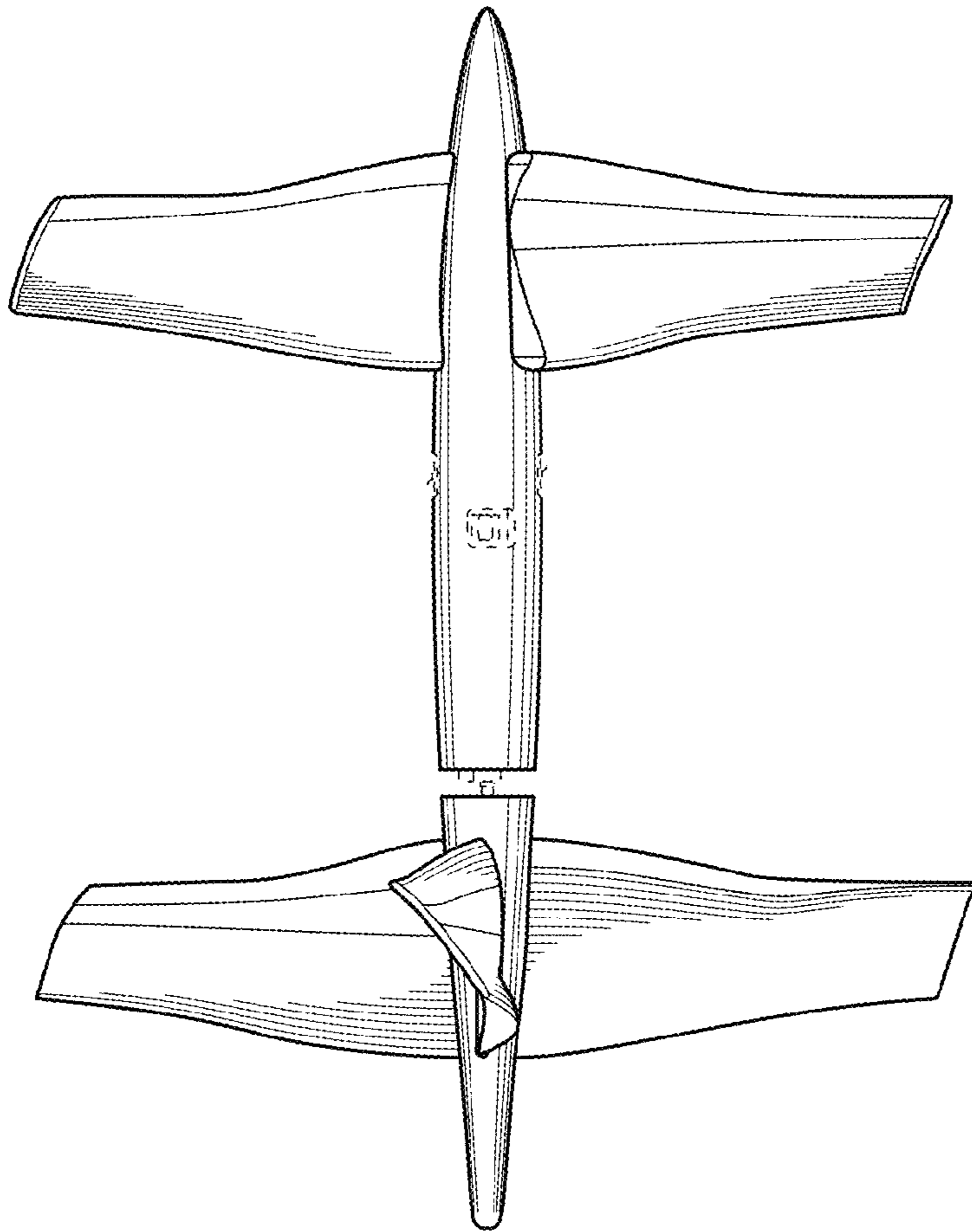


FIG. 5

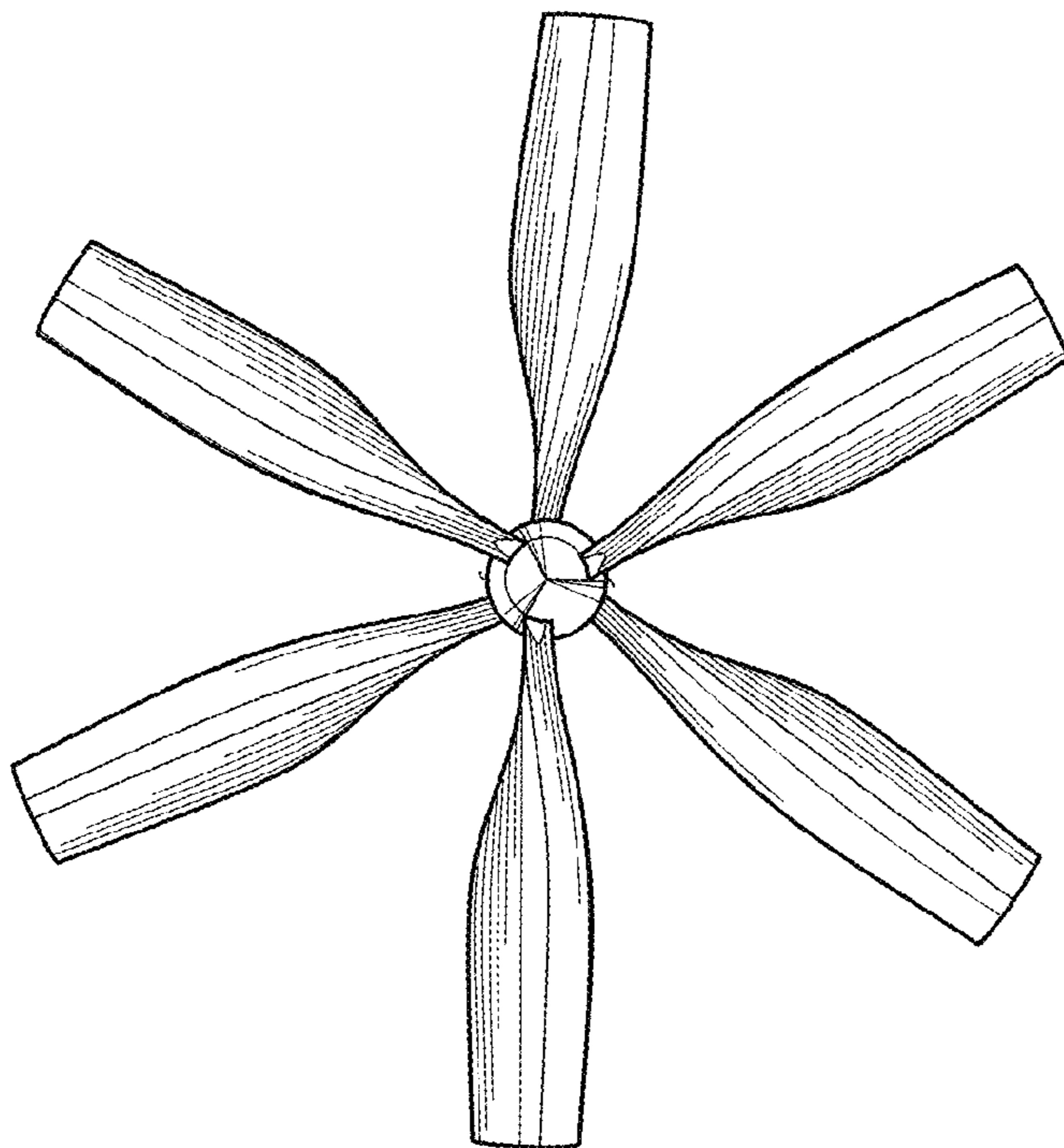


FIG. 6

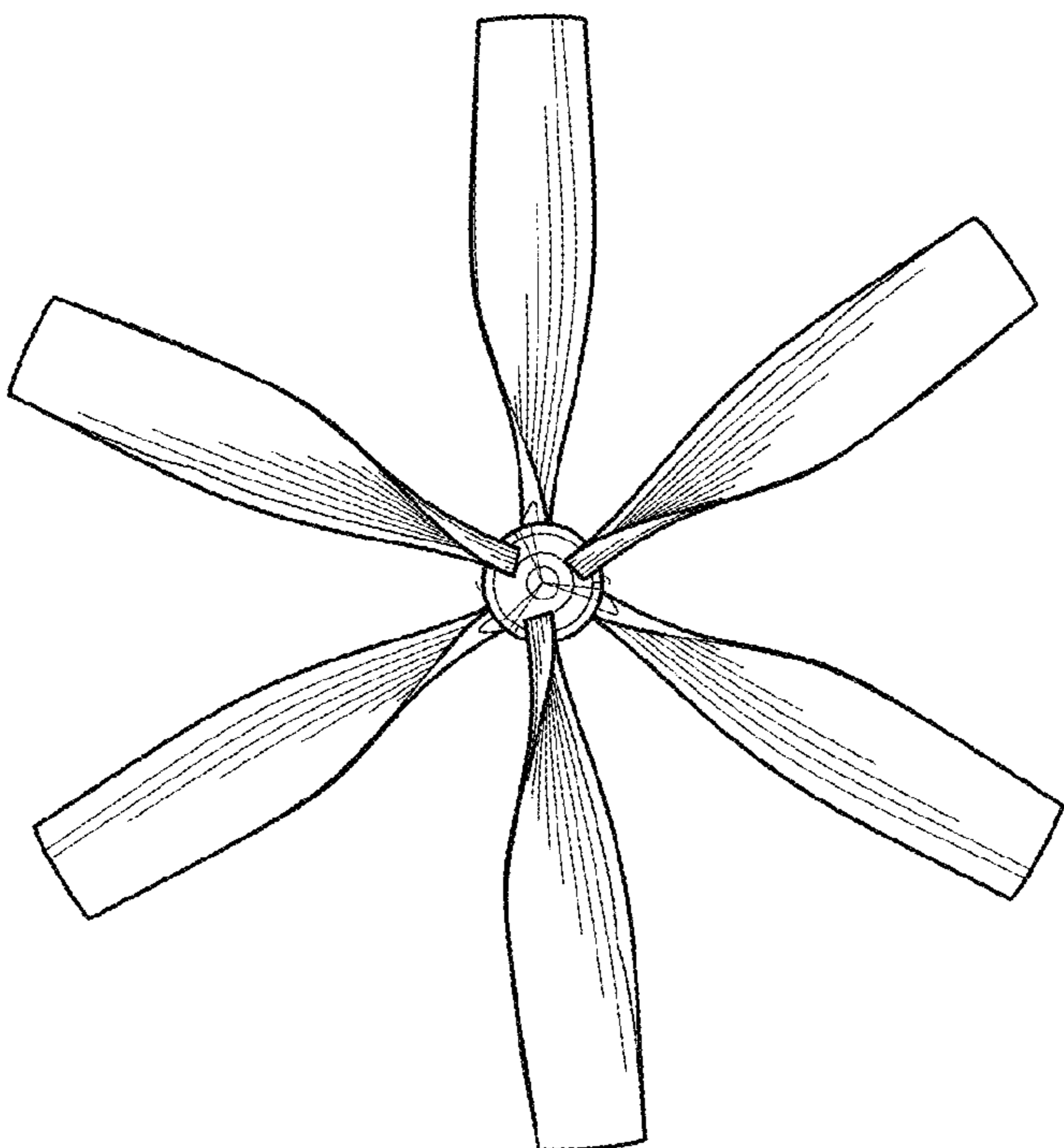


FIG. 7