



US00D730452S

(12) **United States Design Patent**
Baumann et al.

(10) **Patent No.:** **US D730,452 S**
(45) **Date of Patent:** **** May 26, 2015**

- (54) **GAMING CONTROLLER**
- (71) Applicant: **Clingo.com LLC**, Ferndale, WA (US)
- (72) Inventors: **Scott Baumann**, Anacortes, WA (US);
Brian Wheeler, Bellingham, WA (US);
Douglas F. Zaugg, Ferndale, WA (US)
- (73) Assignee: **Clingo.com LLC**, Ferndale, WA (US)
- (**) Term: **14 Years**
- (21) Appl. No.: **29/484,955**
- (22) Filed: **Mar. 14, 2014**
- (51) **LOC (10) Cl.** **21-01**
- (52) **U.S. Cl.**
USPC **D21/333**; D14/401
- (58) **Field of Classification Search**
CPC A63F 13/00; A63F 13/02; A63F 13/06;
A63F 9/24; G06F 17/00; G06F 19/00
USPC D14/399-401, 412-416; D21/324, 333;
273/148 B; 463/1, 29-39, 46, 47;
345/156-161, 905
See application file for complete search history.

Primary Examiner — Prabhakar Deshmukh
(74) *Attorney, Agent, or Firm* — Michael R. Schacht;
Schacht Law Office, Inc.

(57) **CLAIM**
The ornamental design for a gaming controller, as shown and described.

DESCRIPTION

FIG. 1 is a front perspective view of a gaming controller showing, our new design, wherein the handles are in a first position;
 FIG. 2 is a back perspective view thereof;
 FIG. 3 is a front view thereof;
 FIG. 4 is a right side view thereof;
 FIG. 5 is a left side view thereof;
 FIG. 6 is a back view thereof;
 FIG. 7 is a top view thereof;
 FIG. 8 is a bottom view thereof;
 FIG. 9 is a front view of the gaming controller of FIG. 1, wherein the handles are in a second position;
 FIG. 10 is a right side view thereof;
 FIG. 11 is a left side view thereof;
 FIG. 12 is a back view thereof;
 FIG. 13 is a top view thereof;
 FIG. 14 is a bottom view thereof;
 FIG. 15 is a front view of the gaming controller of FIG. 1, wherein the handle is in a third position;
 FIG. 16 is a right side view thereof;
 FIG. 17 is a left side view thereof;
 FIG. 18 is a back view thereof;
 FIG. 19 is a top view thereof; and,
 FIG. 20 is a bottom view thereof.

(56) **References Cited**

U.S. PATENT DOCUMENTS

D363,330	S	*	10/1995	Greene et al.	D21/744
D375,326	S	*	11/1996	Yokoi et al.	D14/401
5,820,462	A	*	10/1998	Yokoi et al.	463/37
D422,998	S	*	4/2000	Negishi et al.	D14/506
6,614,420	B1	*	9/2003	Han et al.	345/161
7,985,137	B1	*	7/2011	Klitsner et al.	463/38
D656,996	S	*	4/2012	Mikhailov et al.	D21/333
D658,719	S	*	5/2012	Ikeda et al.	D21/333
D703,675	S	*	4/2014	Jensen et al.	D14/447
D709,675	S	*	7/2014	Cho	D2/882

* cited by examiner

1 Claim, 10 Drawing Sheets

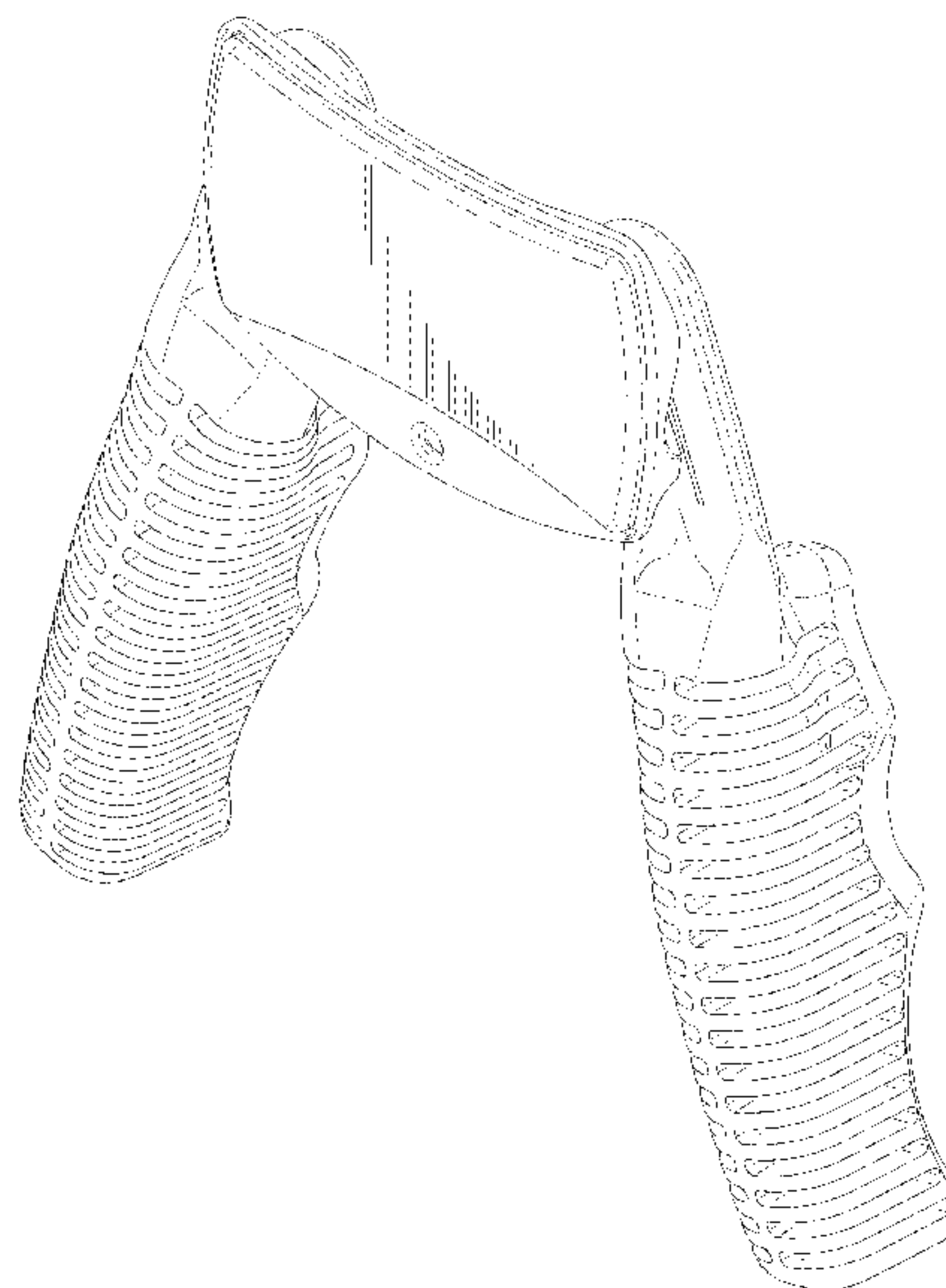


FIG. 1

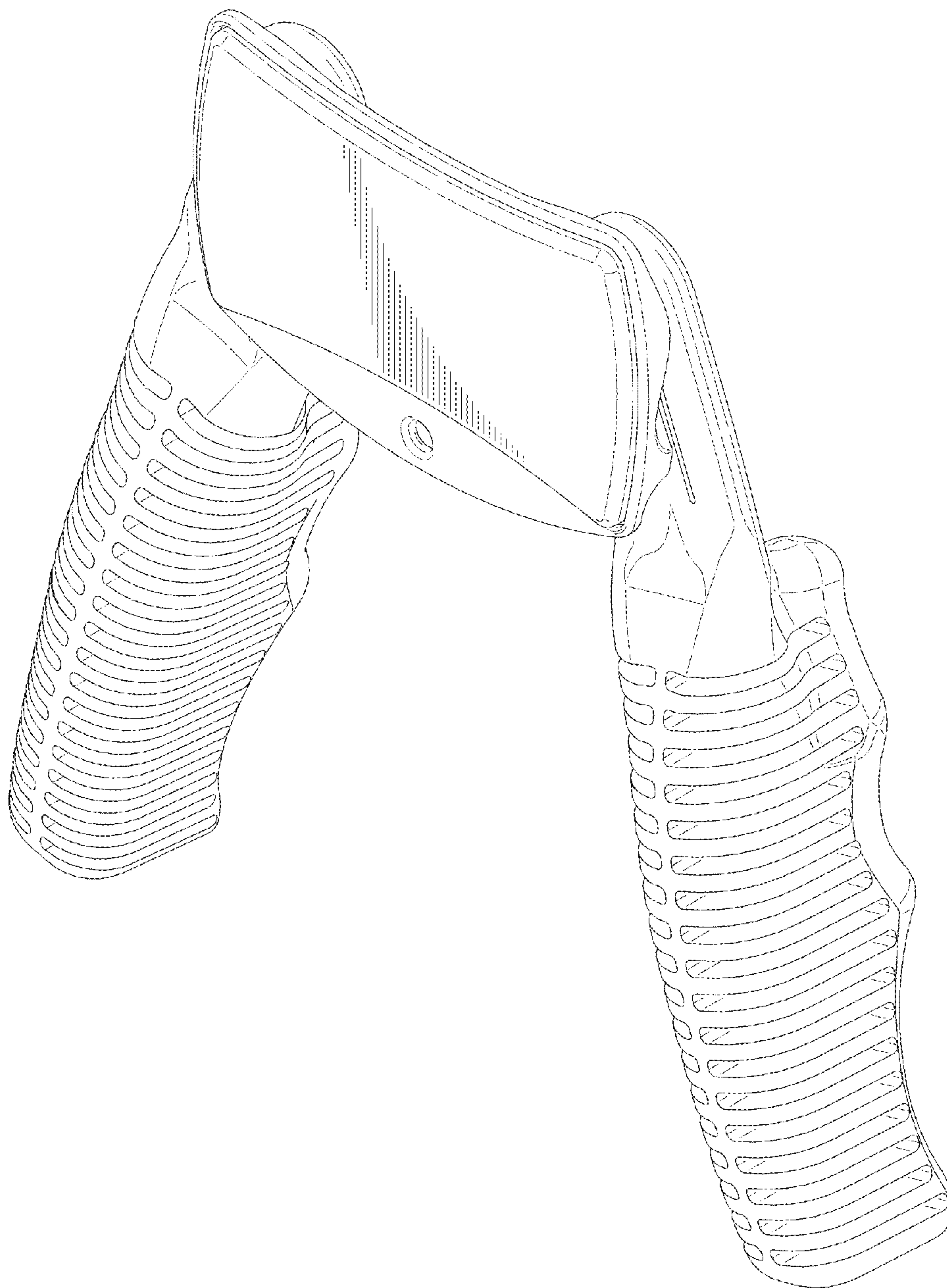


FIG. 2

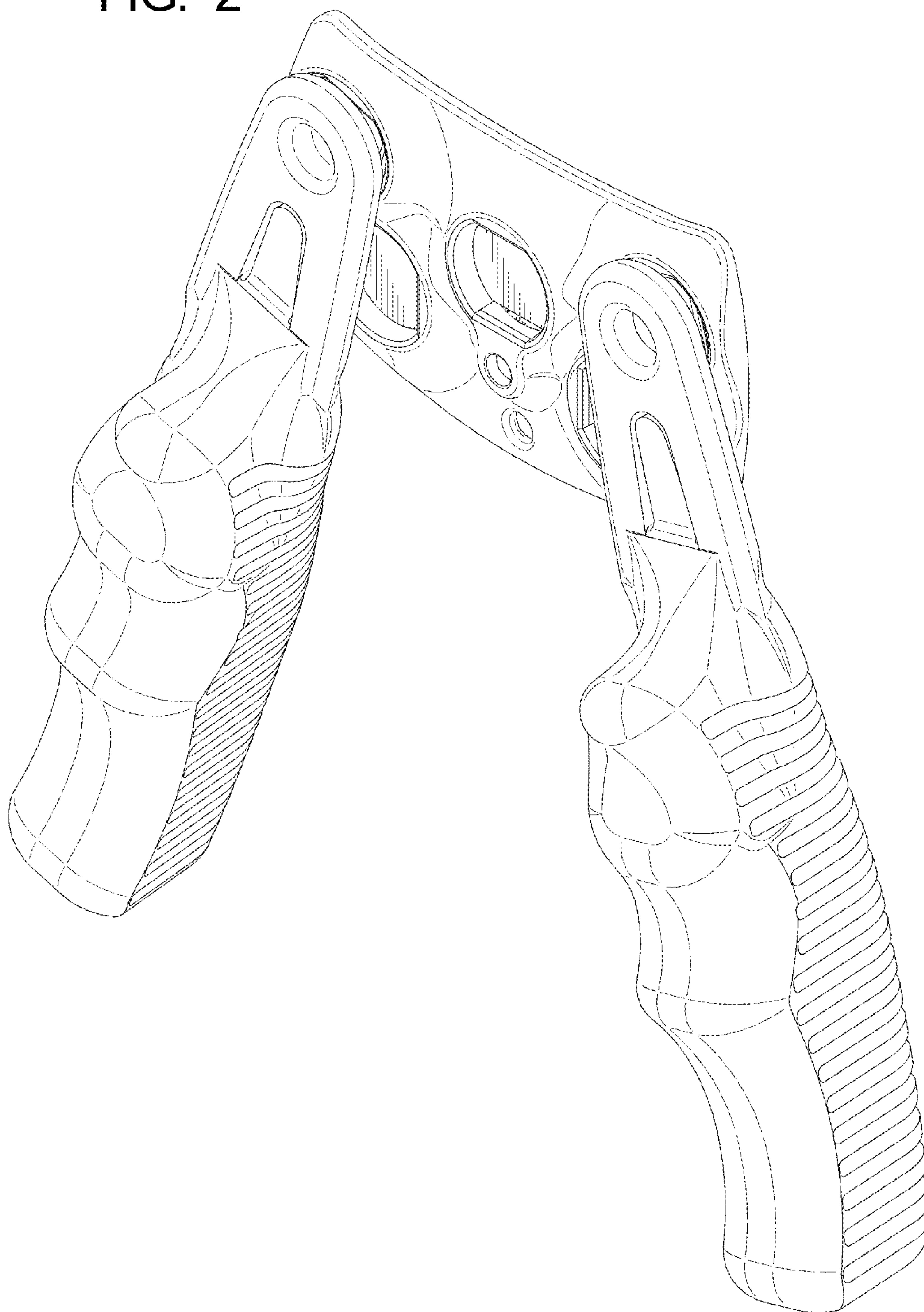


FIG. 3

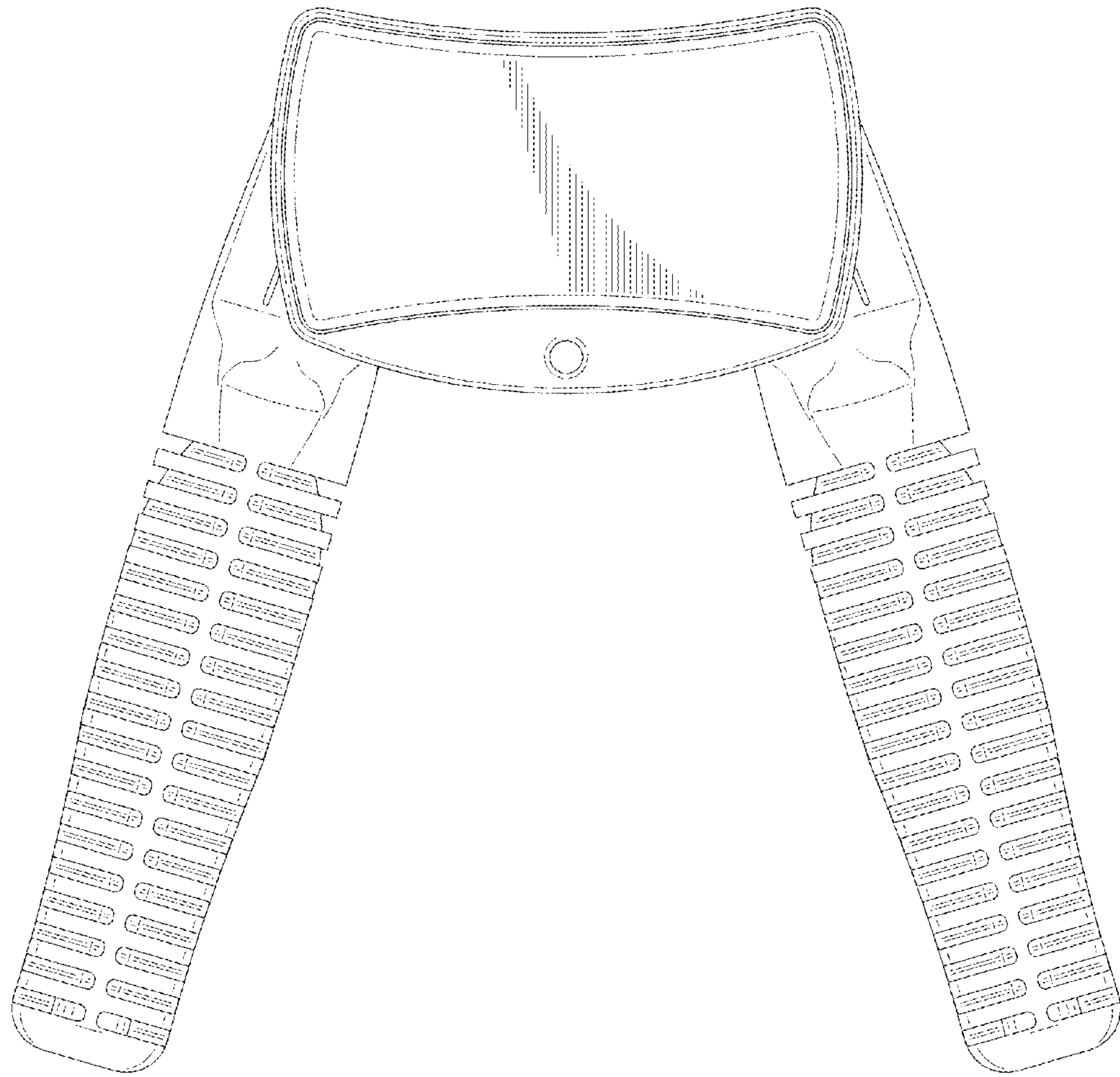


FIG. 4

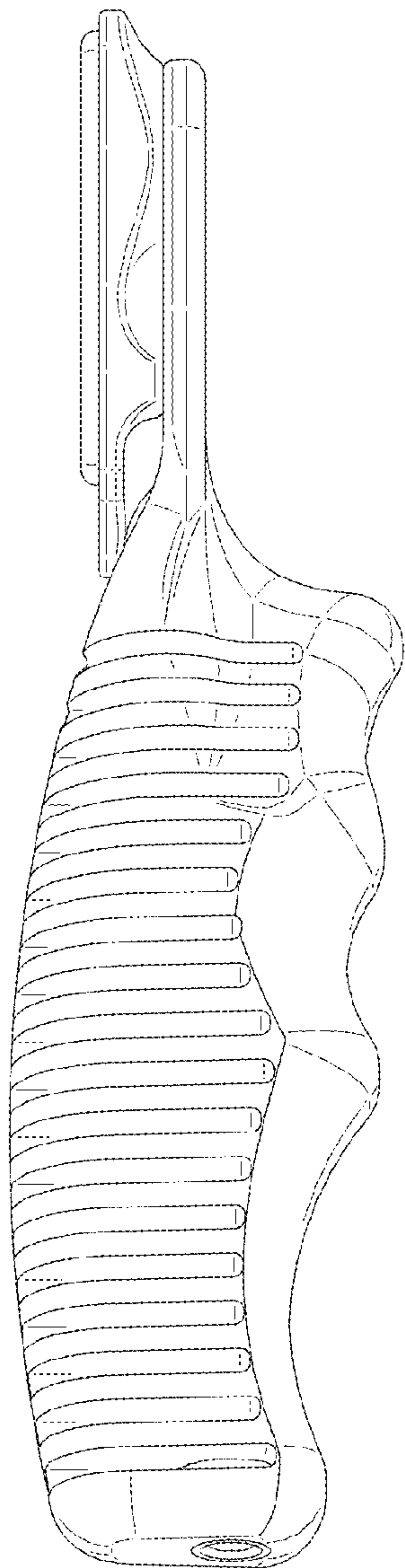


FIG. 5

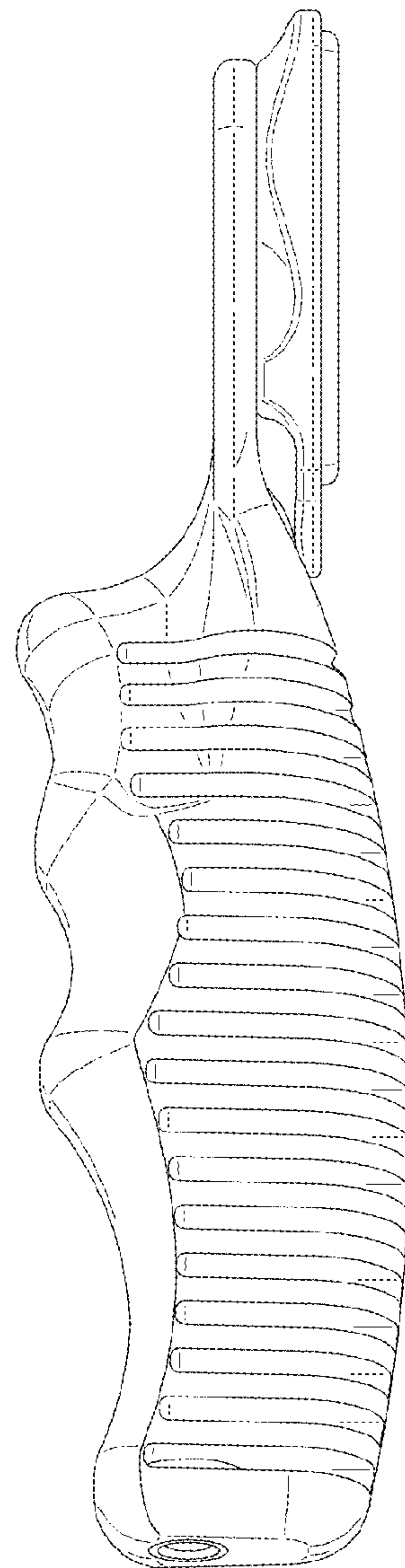


FIG. 6

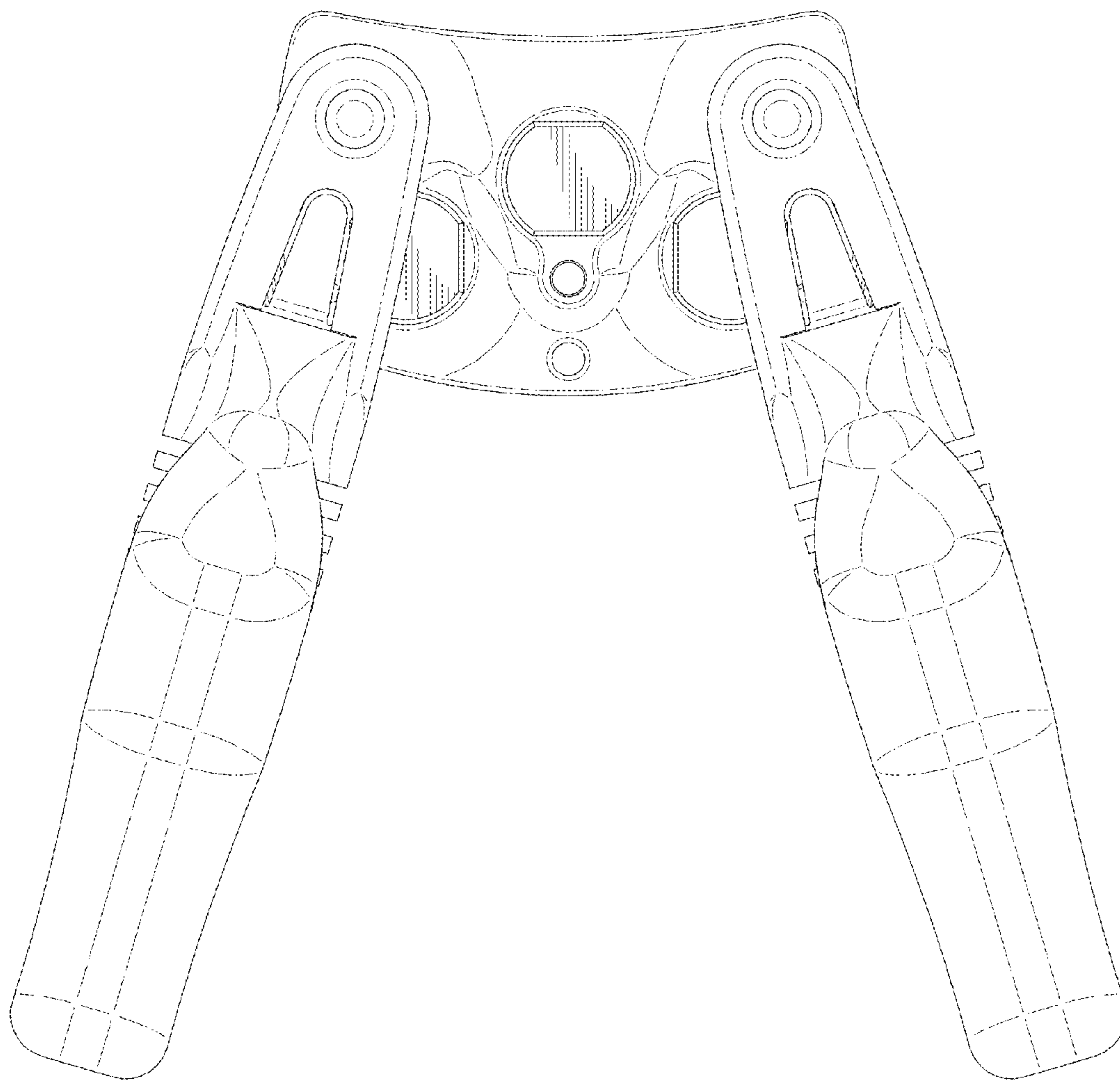


FIG. 7

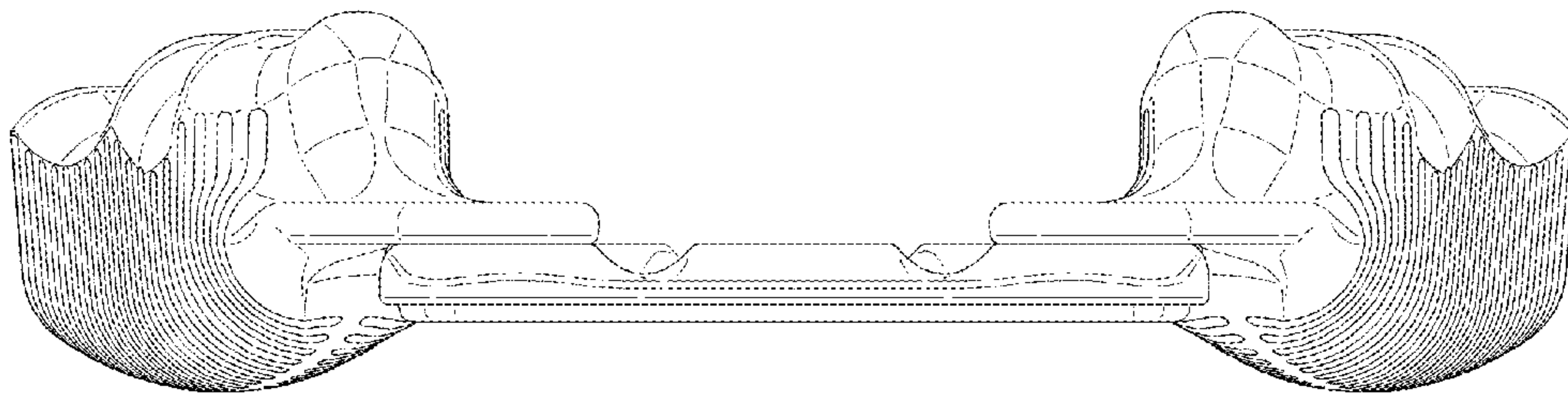


FIG. 8

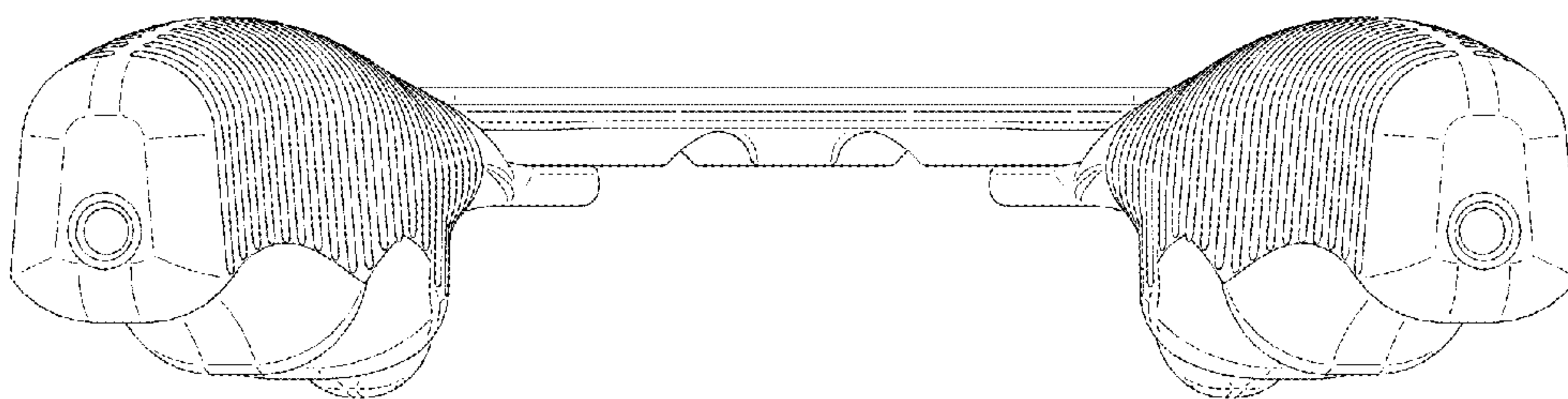


FIG. 9

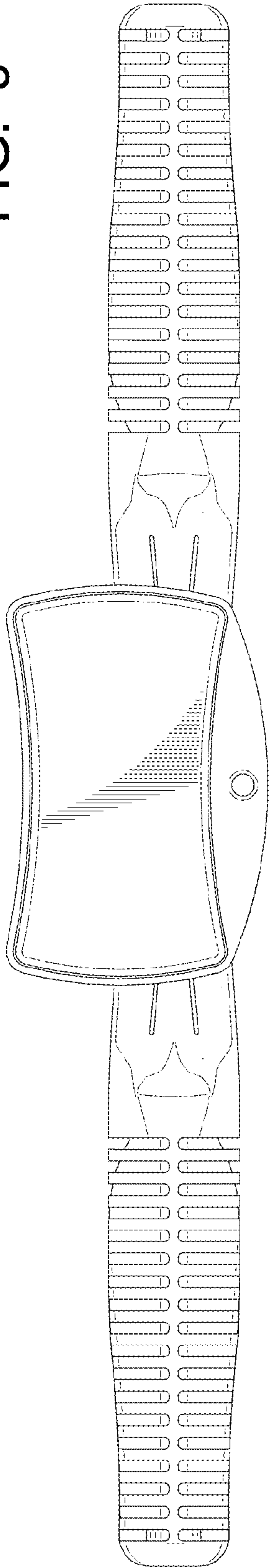


FIG. 10

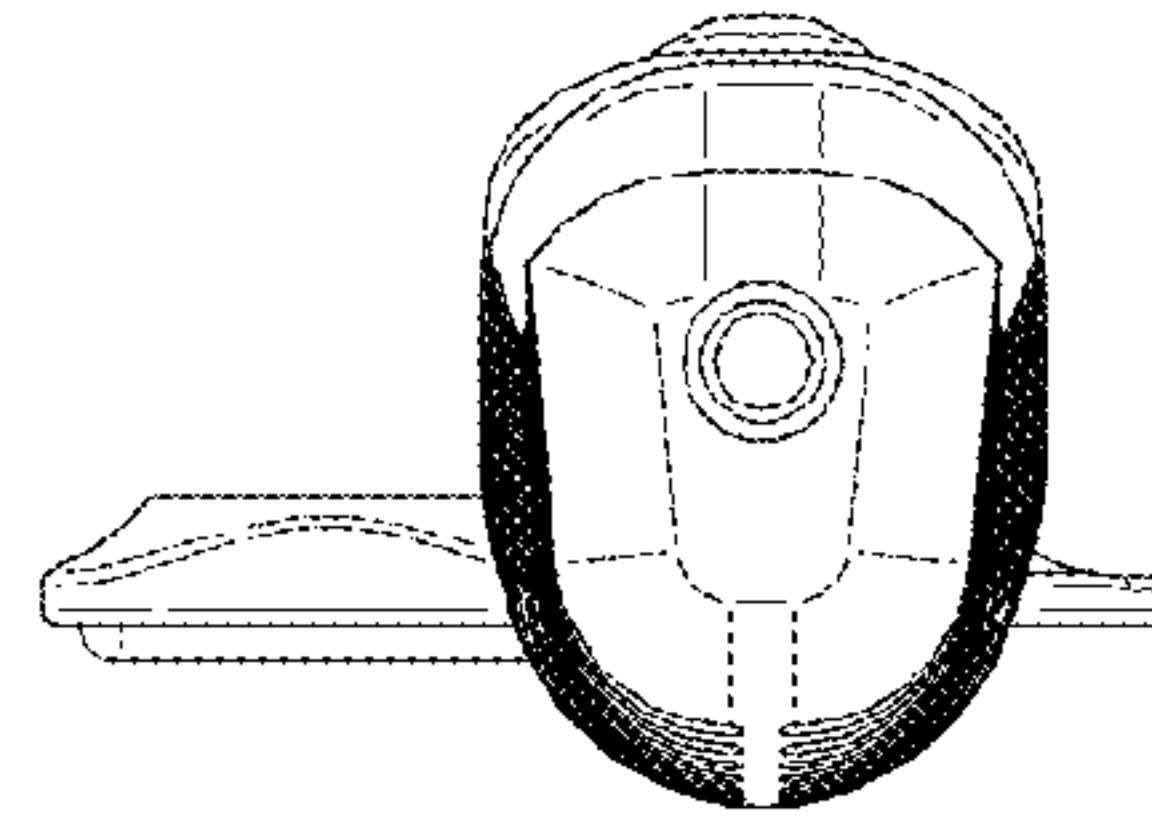


FIG. 11

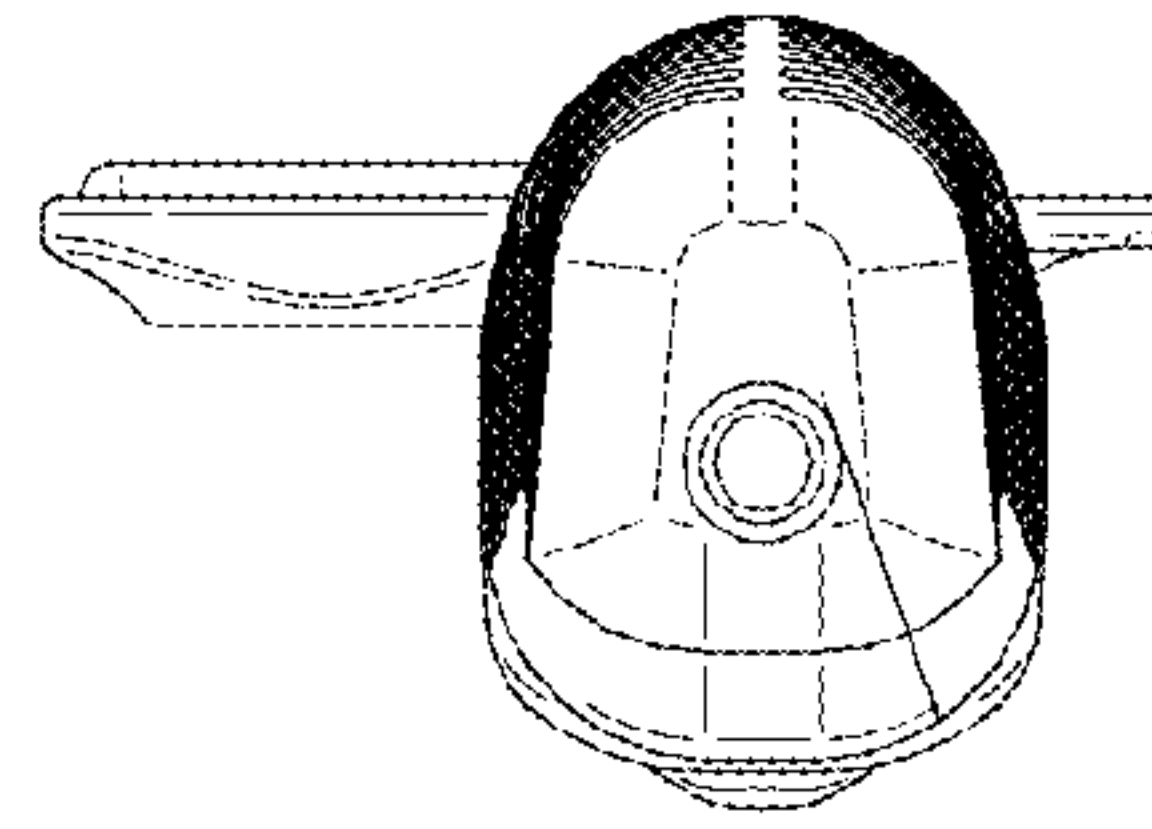


FIG. 12

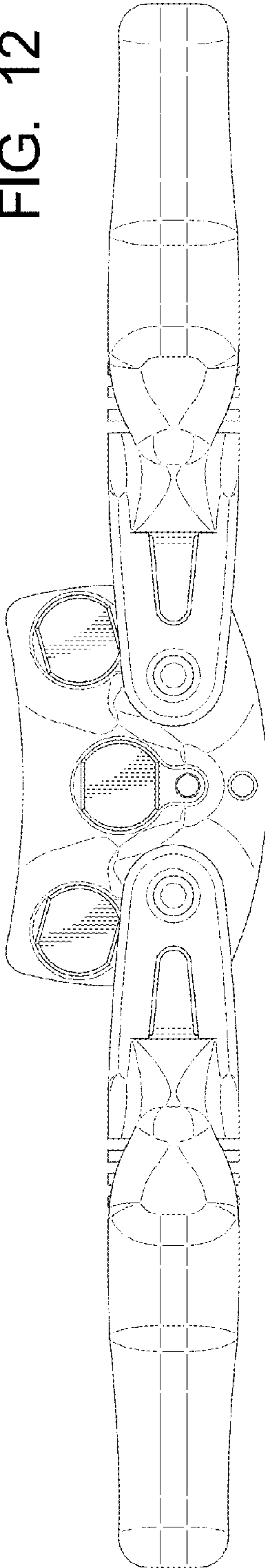


FIG. 13

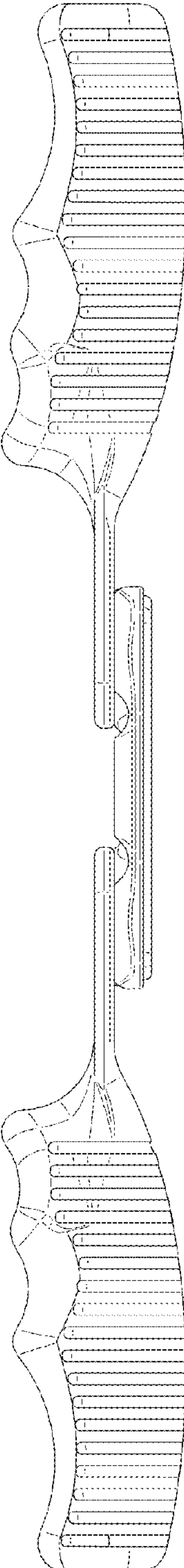


FIG. 14

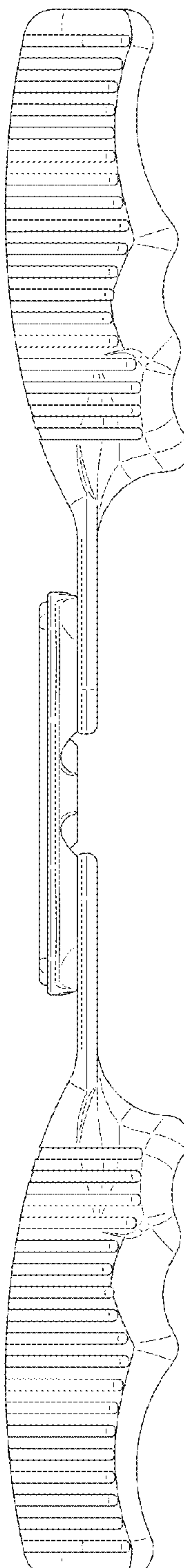


FIG. 15

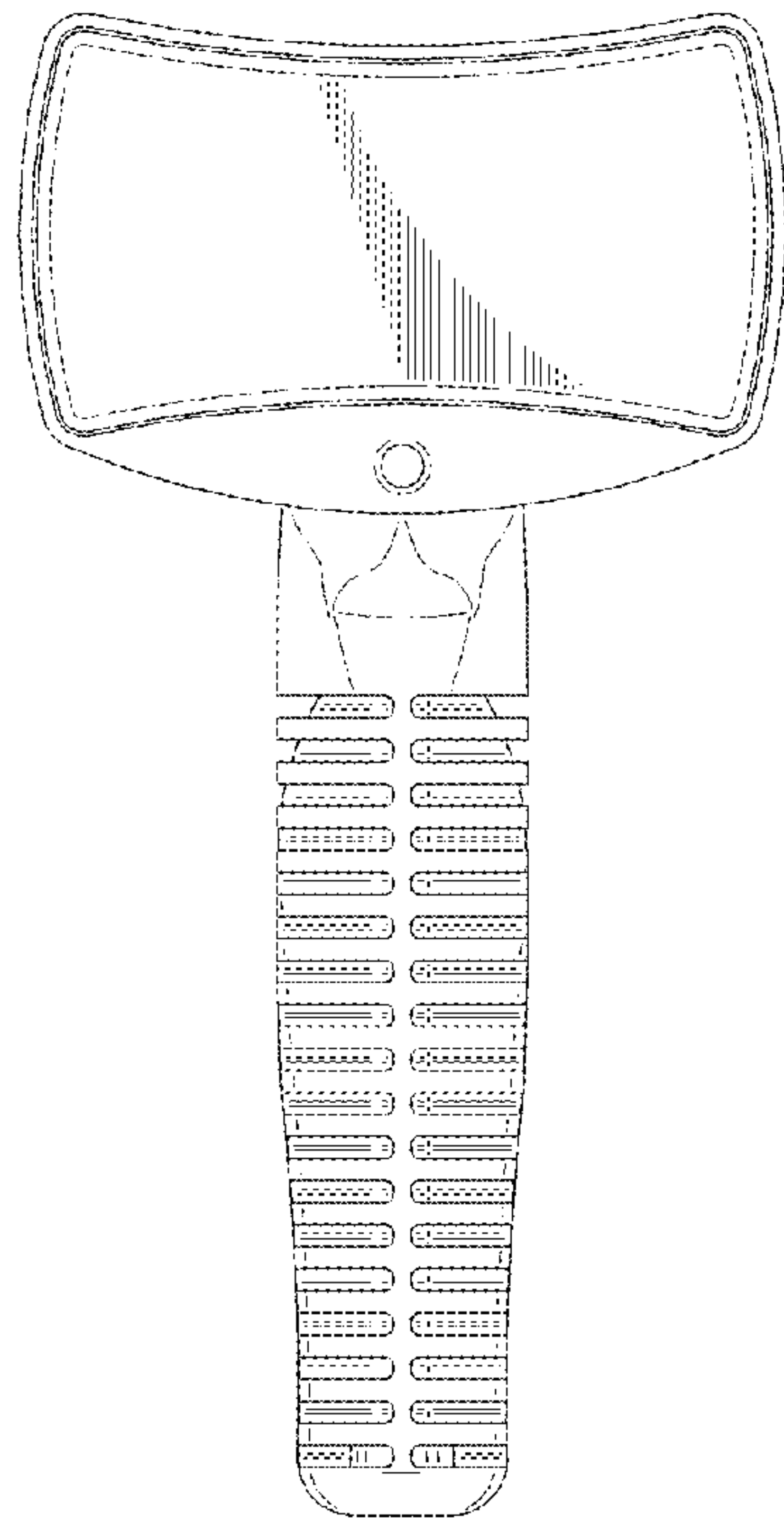


FIG. 16

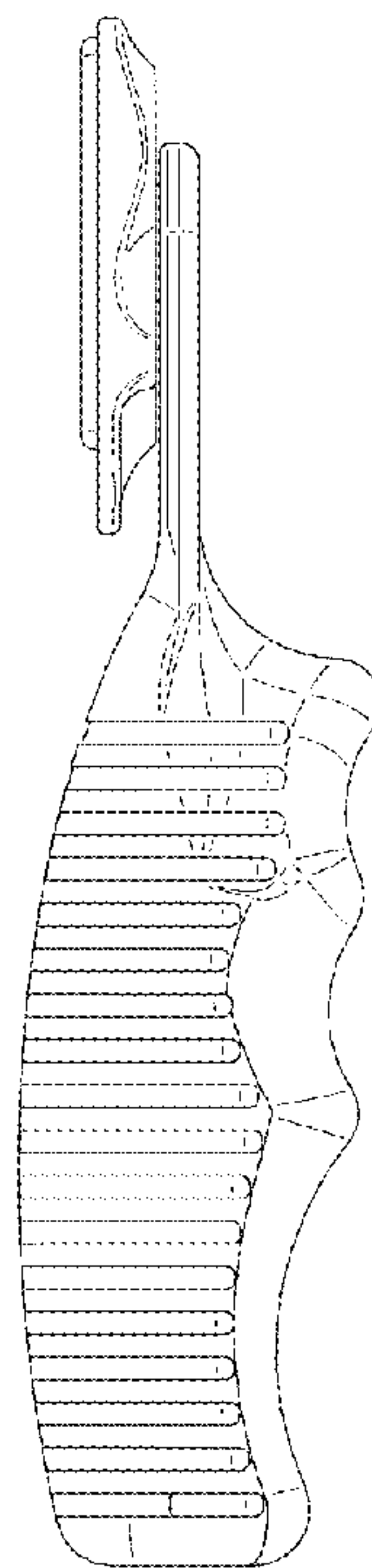


FIG. 17

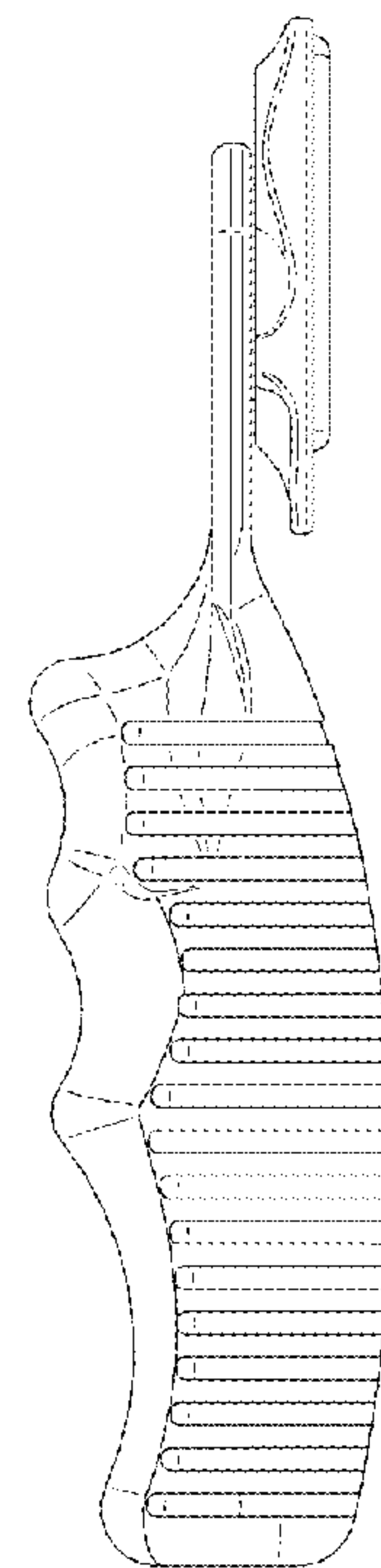


FIG. 18

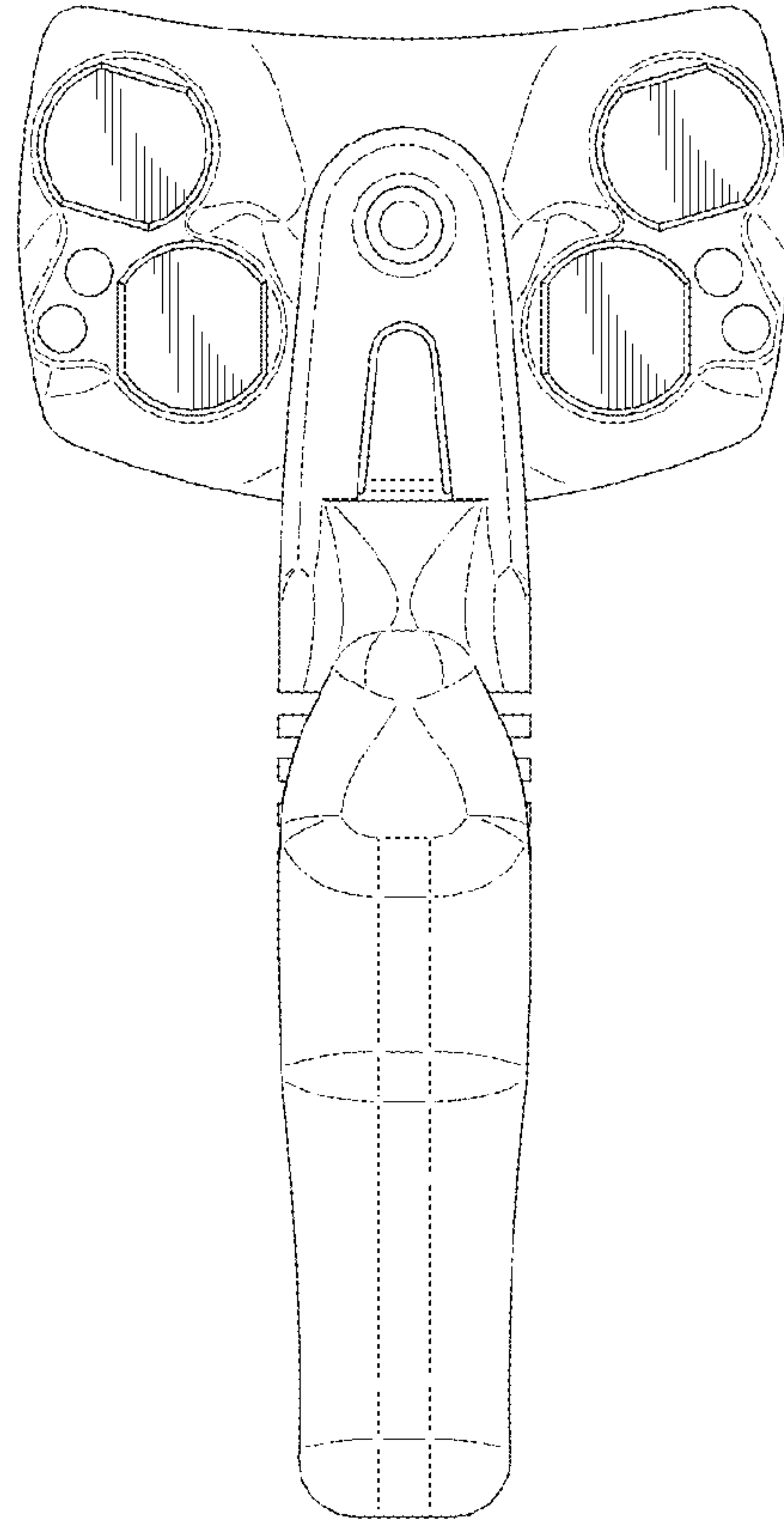


FIG. 19

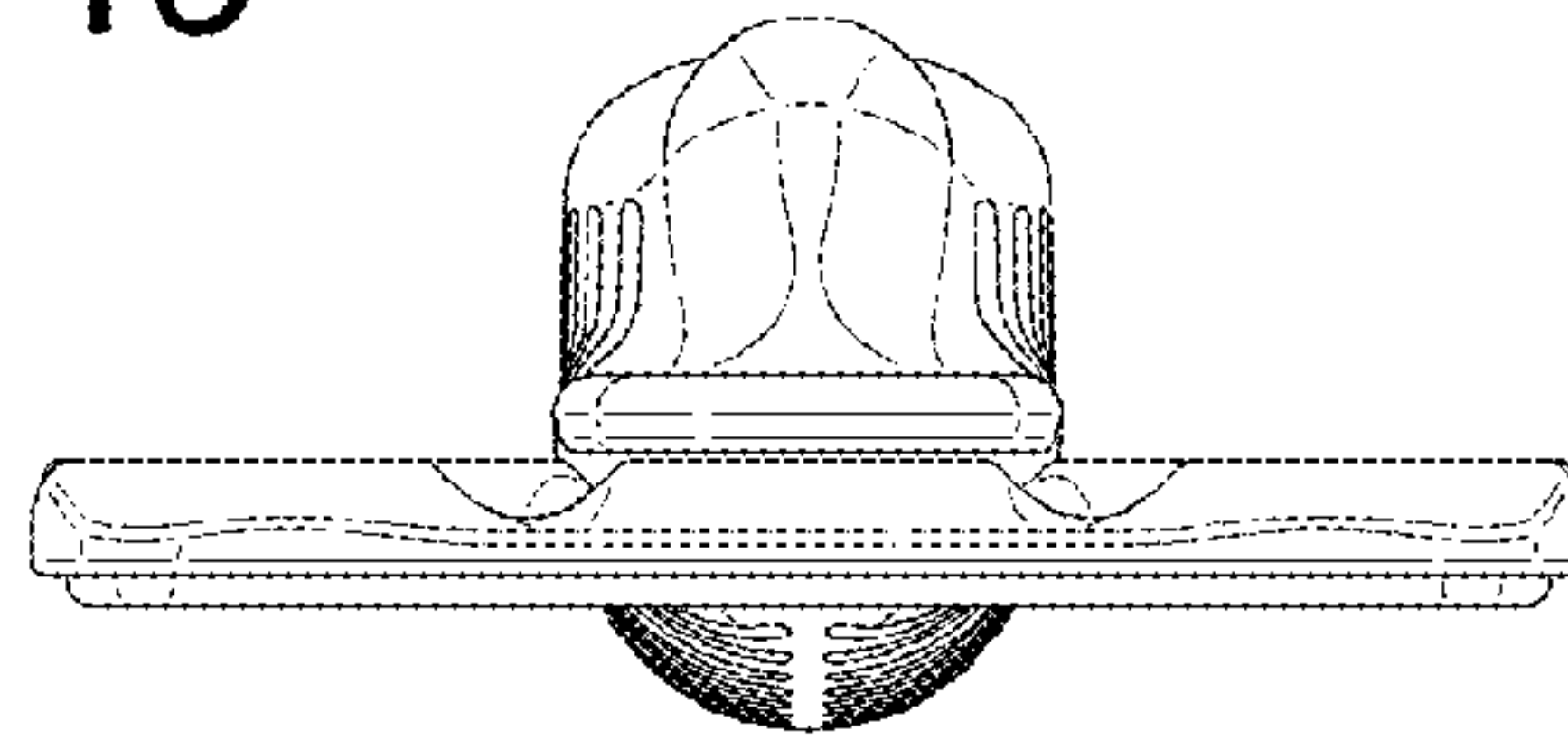


FIG. 20

