



US00D730449S

(12) **United States Design Patent**
Hulth et al.

(10) **Patent No.:** **US D730,449 S**

(45) **Date of Patent:** **** May 26, 2015**

(54) **ELECTRONIC SHELF LABELING DEVICE**

(56) **References Cited**

(71) Applicant: **Pricer AB**, Sollentuna (SE)

U.S. PATENT DOCUMENTS

(72) Inventors: **Nils Hulth**, Uppsala (SE); **Björn Nilsson**, Uppsala (SE); **Jörgen Jubro**, Bälinge (SE)

4,939,861	A *	7/1990	Soubliere	40/651
5,461,809	A *	10/1995	Fowler et al.	40/655
5,473,832	A *	12/1995	Briechle et al.	40/124.05
6,622,410	B2 *	9/2003	Wilkes et al.	40/654
D487,483	S *	3/2004	Chen	D20/19
D528,146	S *	9/2006	Fitch	D18/4.4
D552,322	S *	10/2007	Perrier et al.	D34/27
D574,438	S *	8/2008	Mori	D20/22
D607,059	S *	12/2009	Chida	D20/43
D660,360	S *	5/2012	Richter	D20/10
8,443,854	B2 *	5/2013	Long	150/147
2006/0076094	A1 *	4/2006	Kaminski	150/147
2009/0290350	A1 *	11/2009	Zhao et al.	362/253
2011/0239509	A1 *	10/2011	Horikiri	40/661.08

(73) Assignee: **PRICER AB**, Solentuna (SE)

(**) Term: **14 Years**

(21) Appl. No.: **29/441,074**

(22) Filed: **Dec. 31, 2012**

* cited by examiner

(30) **Foreign Application Priority Data**

Jul. 6, 2012 (EM) 002069708-0004

Primary Examiner — Mary Ann Calabrese

(51) **LOC (10) Cl.** **20-02**

(74) *Attorney, Agent, or Firm* — Buchanan Ingersoll & Rooney P.C.

(52) **U.S. Cl.**
USPC **D20/42**

(57) **CLAIM**

The ornamental design for an electronic shelf labeling device, as shown and described.

(58) **Field of Classification Search**

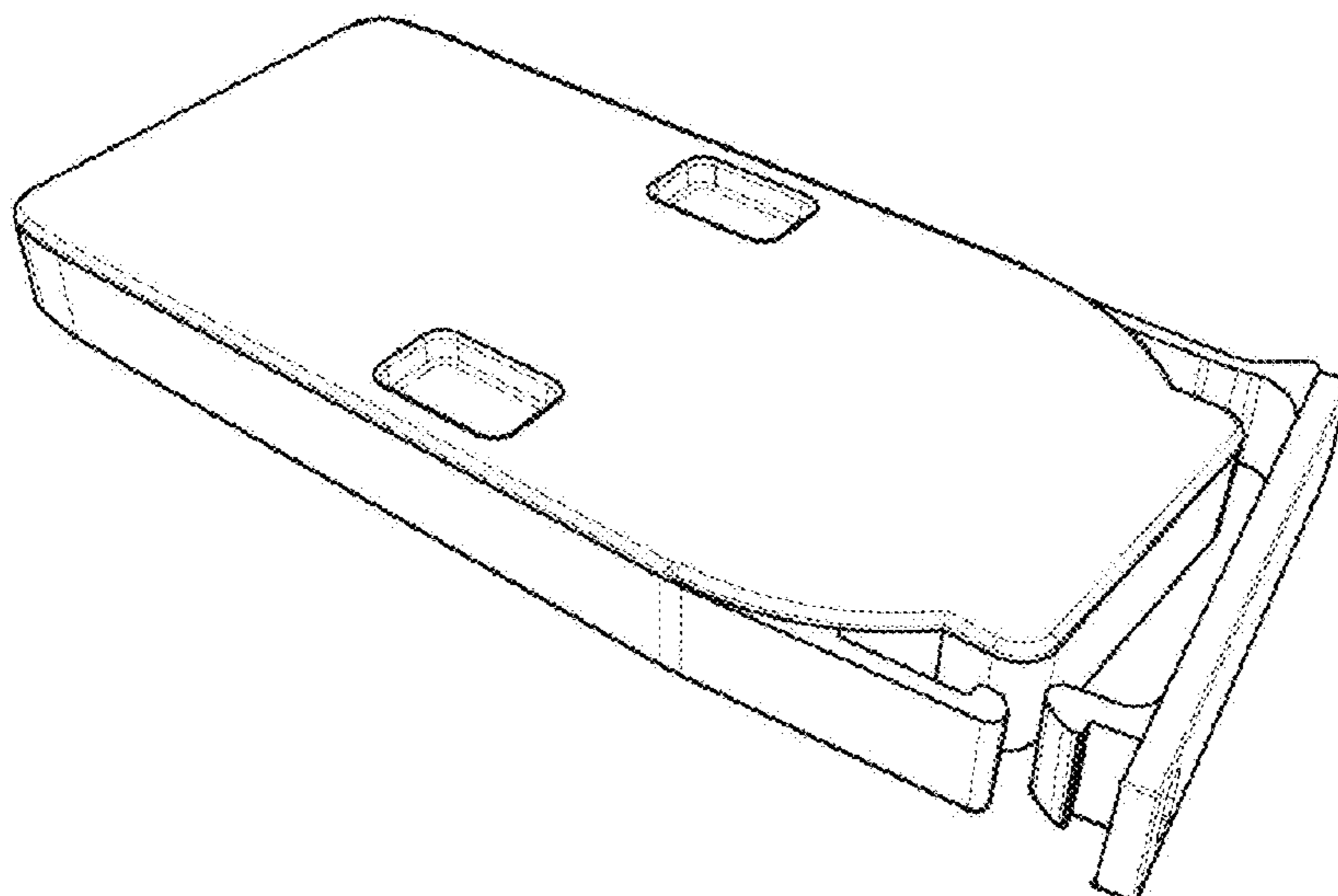
CPC G09F 3/16; G09F 3/20; G09F 3/204; G09F 3/208; G02B 6/0008; F21V 33/00
USPC D20/10, 18, 19, 22–28, 41–43, 99; 40/124.05, 299.01, 300–302, 325, 446, 40/538, 541, 584, 591, 605, 611.9, 612, 40/615, 617, 647, 651, 654, 655, 658; D10/109.1, 106.9, 106.92, 113.4; D18/4.4; D30/155; D34/27; 362/253, 362/812

DESCRIPTION

FIG. 1 is a top, left perspective view of an electronic shelf labeling device showing our new design.
FIG. 2 is a right side elevational view thereof.
FIG. 3 is a left side elevational view thereof.
FIG. 4 is a front elevational view thereof.
FIG. 5 is a rear elevational view thereof.
FIG. 6 is a top plan view thereof; and,
FIG. 7 is a bottom plan view thereof.
The broken lines are for the purpose of illustrating the environment of the article only and form no part of the claimed design.

See application file for complete search history.

1 Claim, 4 Drawing Sheets



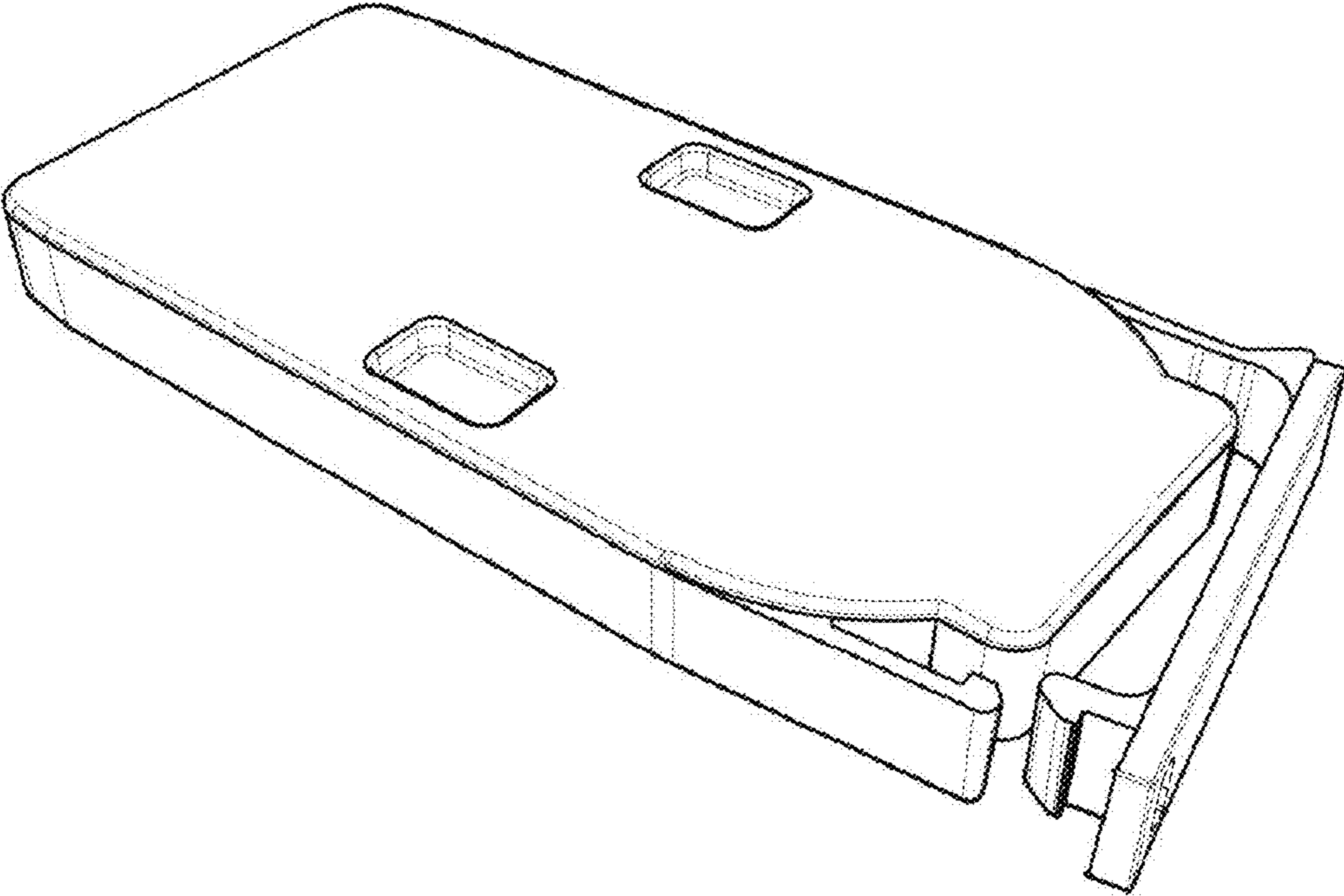


FIG. 1

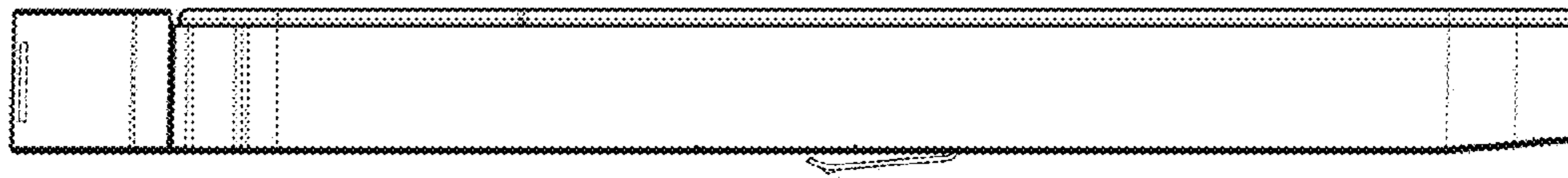


FIG. 2

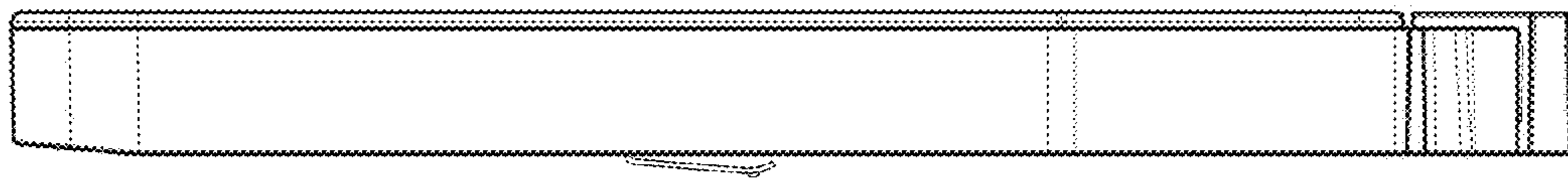


FIG. 3

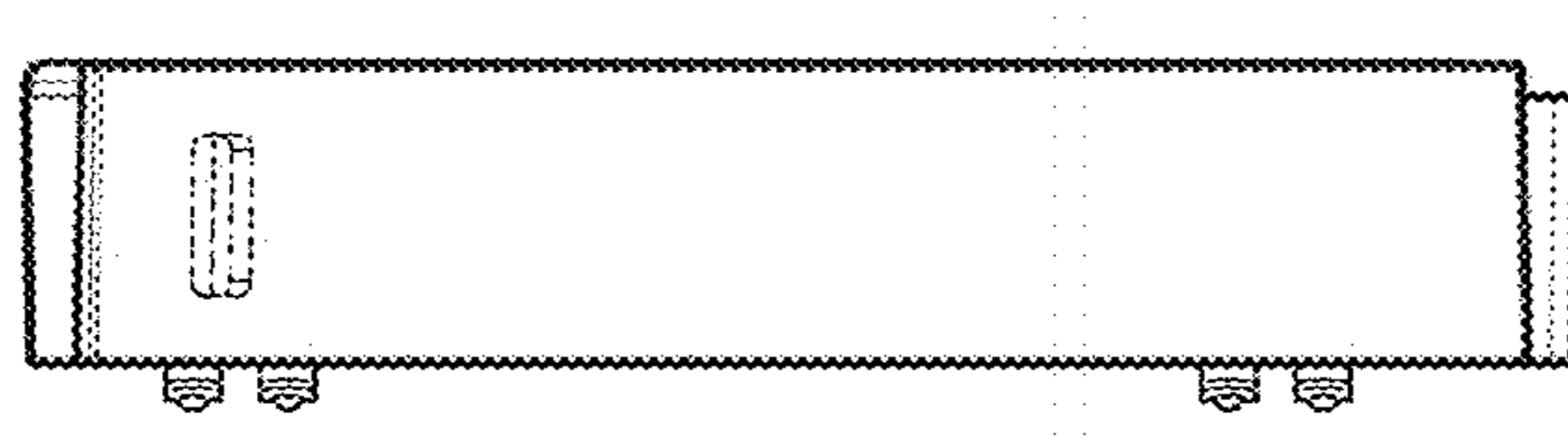


FIG. 4

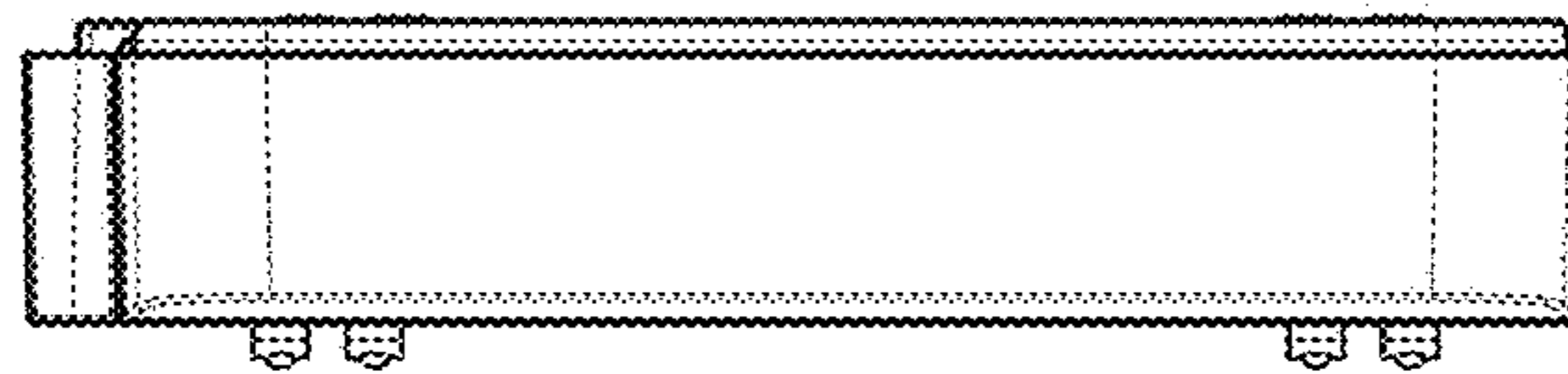


FIG. 5

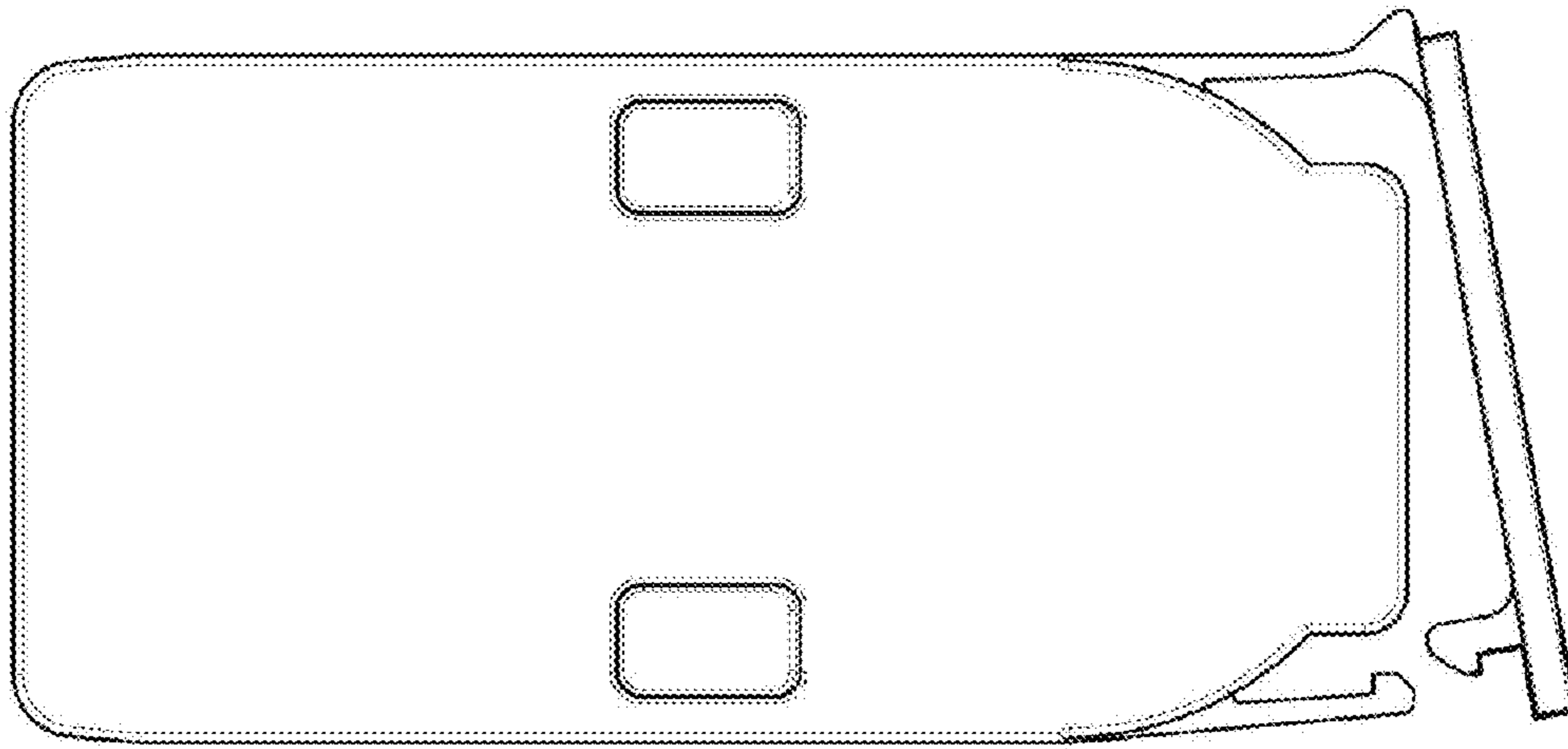


FIG. 6

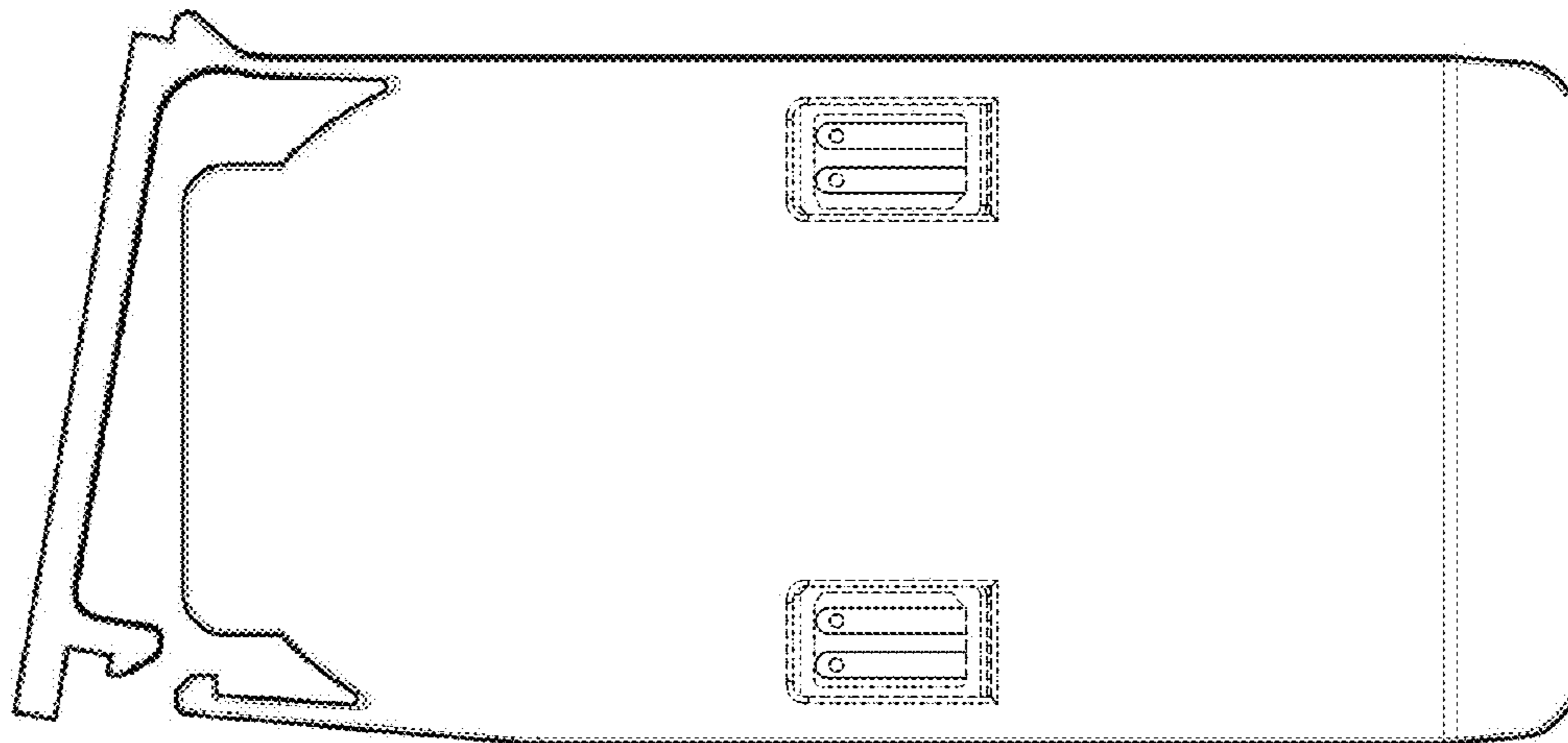


FIG. 7