

US00D730446S

(12) **United States Design Patent**
Busch

(10) **Patent No.:** **US D730,446 S**
(45) **Date of Patent:** **** May 26, 2015**

(54) **FOLDING PEN FOR A POCKET KEY ORGANIZER**

(71) Applicant: **BladeKey LLC**, Tempe, AZ (US)

(72) Inventor: **James David Busch**, Tempe, AZ (US)

(73) Assignee: **BladeKey LLC**, Tempe, AZ (US)

(**) Term: **14 Years**

(21) Appl. No.: **29/502,498**

(22) Filed: **Sep. 17, 2014**

Related U.S. Application Data

(63) Continuation-in-part of application No. 29/457,348, filed on Jun. 9, 2013, now Pat. No. Des. 714,537, which is a continuation-in-part of application No. 29/438,466, filed on Nov. 30, 2012, now Pat. No. Des. 683,951, which is a continuation of application No. 29/406,366, filed on Nov. 13, 2011, now Pat. No. Des. 674,590.

(51) **LOC (10) Cl.** **19-06**

(52) **U.S. Cl.**
USPC **D19/121**; D19/157; D3/207; D8/43

(58) **Field of Classification Search**
CPC A46B 5/02; G06F 3/033; G06F 3/041; G08C 21/00
USPC D11/1-2, 14, 26-29, 89-92, 44, 48, 81, D11/99; 63/26-28, 32; D3/207-212; D8/43; 70/456 B, 408, 457, 458; 206/37.1; D10/64; D19/121, 135, 157, 81, 83, D19/84, 98, 123

See application file for complete search history.

(56) **References Cited**

U.S. PATENT DOCUMENTS

D3,942 S 3/1870 Elwell
1,728,128 A * 9/1929 Nobyoshi 24/11 CT

(Continued)

FOREIGN PATENT DOCUMENTS

CN 2691863 4/2005
CN 201131411 10/2008

(Continued)

OTHER PUBLICATIONS

Ethanf, "Do you hate your keys jingling? (Bicycle Content)," EDCForums (Sep. 12, 2011).

(Continued)

Primary Examiner — Ralf Seifert

(74) *Attorney, Agent, or Firm* — James David Busch

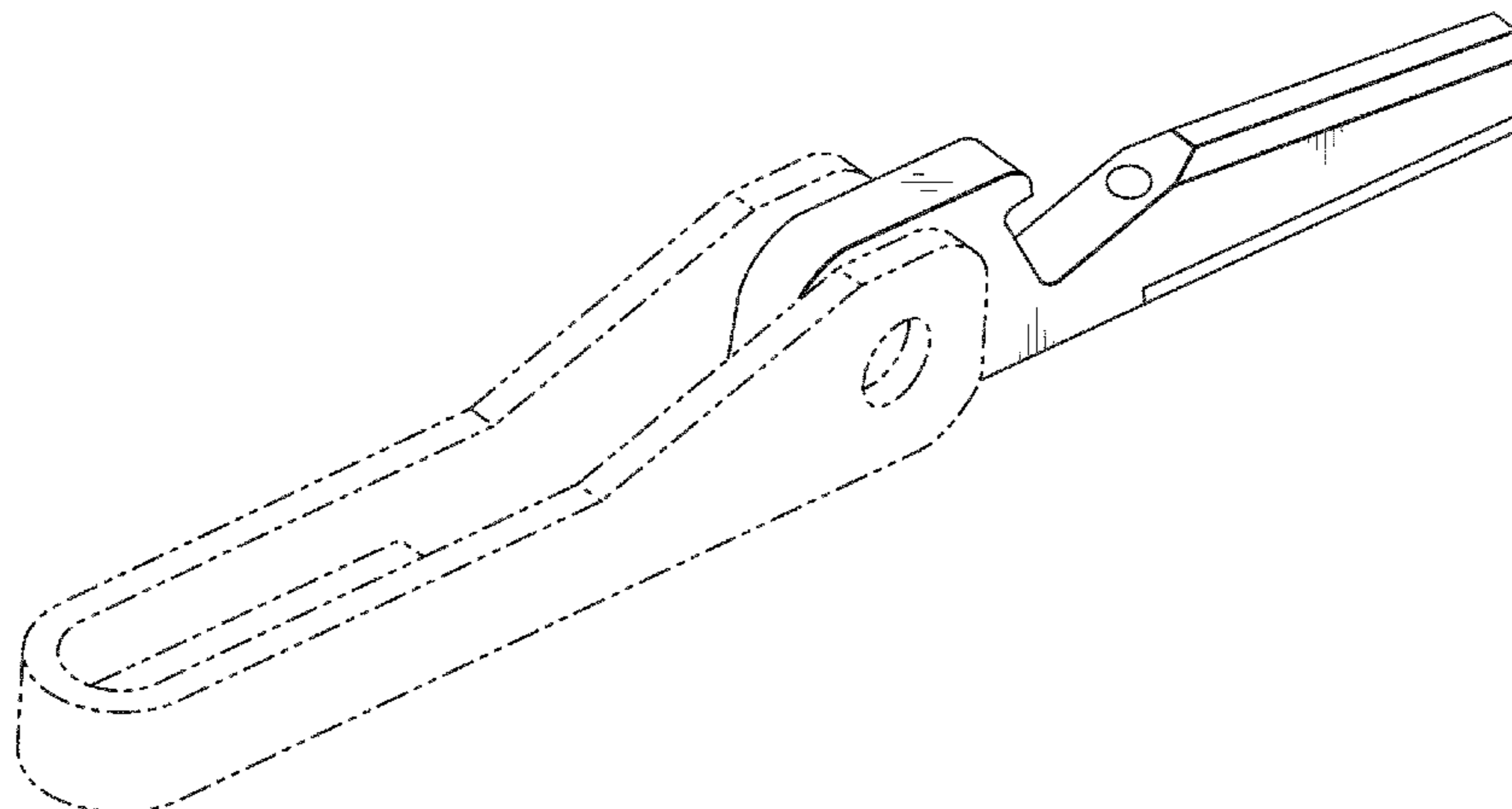
(57) **CLAIM**

I claim the ornamental design for a folding pen for a pocket key organizer, substantially as shown and described.

DESCRIPTION

FIG. 1 is a front perspective view of the folding pen for a pocket key organizer;
FIG. 2 is a bottom perspective view of FIG. 1;
FIG. 3 is a front view of FIG. 1;
FIG. 4 is a rear side view of FIG. 1;
FIG. 5 is a left side view of FIG. 1;
FIG. 6 is a right view of FIG. 1;
FIG. 7 is a top view of FIG. 1;
FIG. 8 is a bottom view of FIG. 1;
FIG. 9 is a cross-section of FIG. 7;
FIG. 10 is a left side view of FIG. 1 shown in a use in a stored position with a pocket key organizer;
FIG. 11 is a left side view of FIG. 1 shown in a use in an extended position with a pocket key organizer; and,
FIG. 12 is a front perspective view of FIG. 1 shown in a use in an extended position with a pocket key organizer.
The features shown in broken lines in the various Figures are for illustrating the environmental structure and form no part of the claimed design.

1 Claim, 4 Drawing Sheets



(56)

References Cited

U.S. PATENT DOCUMENTS

1,885,957 A 11/1932 Singleton
 1,922,755 A 8/1933 Buxton
 2,038,070 A 4/1936 Welch
 2,228,726 A 1/1941 Loesch
 2,344,581 A 3/1944 Ziegeweid
 D156,677 S 5/1948 Smith
 2,482,623 A 9/1949 Kaminer
 2,514,940 A 7/1950 Hogue
 2,547,340 A 4/1951 Mullan
 2,547,524 A 4/1951 Gross
 2,583,961 A 1/1952 Nash
 2,600,749 A 6/1952 Gallagher
 2,625,814 A 1/1953 Mullan
 2,637,994 A 5/1953 Harrison
 2,659,231 A 11/1953 Glubiak
 D172,355 S * 6/1954 Zimmer D19/84
 2,699,667 A 1/1955 Mark
 2,836,053 A 5/1958 Slarreit
 2,869,232 A 1/1959 Kivela
 2,882,710 A 4/1959 Furn
 D185,686 S 7/1959 Tronson
 2,931,208 A 4/1960 Prim
 2,964,937 A 12/1960 Laufin
 2,969,668 A 1/1961 Aitchison
 2,978,897 A 4/1961 Capitani
 2,989,861 A 6/1961 Schefman
 3,004,422 A 10/1961 Starrett
 D198,910 S * 8/1964 Stolarz D3/210
 3,277,680 A 10/1966 Merila
 3,299,930 A 1/1967 Schumer
 D206,875 S * 2/1967 Mosch D8/99
 3,355,917 A 12/1967 Albert
 3,363,440 A 1/1968 Rivers
 3,394,565 A 7/1968 Turman
 3,407,021 A * 10/1968 Mosch 401/29
 3,407,636 A 10/1968 Kovacevic
 3,421,349 A 1/1969 St. Clair
 3,455,131 A 7/1969 Shofner
 3,527,072 A 9/1970 Demetreon
 3,606,777 A 9/1971 Watson
 3,672,192 A 6/1972 Dontas
 3,677,044 A 7/1972 De Frees
 3,696,649 A 10/1972 Chow et al.
 3,882,702 A * 5/1975 Wiczer 70/406
 D237,561 S 11/1975 Kesner
 3,931,688 A 1/1976 Owens
 D248,960 S 8/1978 Iverson
 4,149,812 A * 4/1979 Huffman, Jr. 401/6
 4,297,864 A 11/1981 Beier
 4,351,173 A 9/1982 Toyoda
 4,417,612 A 11/1983 Couture et al.
 4,454,737 A 6/1984 Toyoda
 4,524,594 A 6/1985 Bascou
 4,549,827 A * 10/1985 Mack 401/29
 4,569,215 A 2/1986 McCarthy
 4,571,967 A 2/1986 Jacobsen
 4,658,479 A 4/1987 Sanders
 4,901,547 A 2/1990 Dal Palu'
 4,939,917 A 7/1990 Cartwright
 4,941,569 A 7/1990 Lindmayer et al.
 D310,101 S * 8/1990 Gauthier D19/55
 4,951,489 A 8/1990 Proch
 D310,449 S * 9/1990 Agrippino D3/208
 D332,384 S 1/1993 Dague
 D334,528 S 4/1993 Franklin
 5,199,560 A 4/1993 Lee et al.
 5,207,082 A 5/1993 LeMaitre
 D356,019 S 3/1995 Sakai
 D357,166 S 4/1995 Concari
 5,460,022 A 10/1995 Parsons
 D364,269 S 11/1995 Sabosky
 5,544,510 A 8/1996 Botteon et al.
 5,568,741 A 10/1996 Parsons
 D382,190 S 8/1997 Blackston et al.
 D385,301 S * 10/1997 Wang D19/54

5,704,235 A 1/1998 Stahle
 5,704,236 A 1/1998 Parsons
 5,711,194 A 1/1998 Anderson
 5,732,579 A 3/1998 D'Hont et al.
 5,768,925 A 6/1998 Ozawa et al.
 5,791,211 A 8/1998 Bondhus et al.
 D402,459 S 12/1998 Steinmacher
 D404,284 S 1/1999 Sacco et al.
 D405,675 S 2/1999 Rivera
 D405,953 S * 2/1999 Legg D3/210
 D415,343 S 10/1999 Maddox
 6,016,676 A 1/2000 McConnell
 D423,209 S 4/2000 Guyot
 D427,501 S 7/2000 Berg et al.
 6,106,131 A 8/2000 Hao
 D434,302 S 11/2000 Van Den Acker
 6,164,102 A 12/2000 Gapco
 D442,060 S 5/2001 Neset
 D442,061 S 5/2001 Harris et al.
 D442,466 S 5/2001 Van Den Acker
 D444,502 S * 7/2001 Luntz D19/84
 6,282,996 B1 9/2001 Berg et al.
 6,464,419 B1 * 10/2002 Chan 401/131
 D469,806 S * 2/2003 Chan D19/46
 D473,710 S 4/2003 Szilva
 D478,207 S 8/2003 Johnson
 D485,297 S * 1/2004 Reda et al. D19/36
 6,684,673 B2 2/2004 Florendo
 6,763,938 B1 7/2004 Nelson
 D498,259 S * 11/2004 Kung D19/46
 D499,764 S * 12/2004 Arnold D19/84
 6,892,558 B2 5/2005 Chodosh
 D509,538 S * 9/2005 Yeh D19/46
 D514,310 S 2/2006 Roye
 7,032,419 B2 4/2006 Booker
 D528,163 S * 9/2006 Mandel D19/84
 7,125,186 B1 * 10/2006 Stokes 401/8
 7,127,922 B2 10/2006 Khounsombath et al.
 D539,526 S 4/2007 Stein
 D579,494 S * 10/2008 Chan et al. D19/36
 D593,318 S 6/2009 Kelleghan
 D624,305 S 9/2010 Downes
 D626,590 S * 11/2010 Pugilisi D19/51
 8,182,166 B2 5/2012 Colman
 D665,992 S * 8/2012 Wilbur D3/207
 D674,590 S * 1/2013 Busch D3/207
 D683,951 S * 6/2013 Busch D3/207
 8,493,369 B2 7/2013 Liang et al.
 D693,202 S * 11/2013 Berman D8/105
 D705,533 S 5/2014 Tunney
 D709,344 S * 7/2014 Adelman et al. D8/105
 D714,537 S * 10/2014 Busch D3/207
 D714,539 S * 10/2014 Busch D3/207

FOREIGN PATENT DOCUMENTS

CN 201494157 6/2010
 CN 201552879 8/2010
 CN 202782316 3/2013
 CN 203077923 7/2013

OTHER PUBLICATIONS

Anonymous, "Products," Down Home Leather, Nov. 24, 2011.
 Anonymous, "Novel Key Holder," Popular Mechanics at p. 161 (Jan. 1923).
 Anonymous, "Key & Holders," Able Home Aides (Nov. 24, 2011).
 Crew, "My new custom 'multi-key', made from a Gerber Curvel!," EDCForums (Dec. 1, 2010).
 Legoman0721, "Cold Steel Mini Tac Tanto," EDCForums (Nov. 24, 2010).
 Aphi, "Switchkey," EDCForums (Dec. 19, 2010).
 Shadeone, "The Real Leatherman KEYman! My custom Multi-Key!!," EDCForums (Aug. 6, 2007).
 Anonymous, "Master Key Set," T-Parts (Date Unknown).
 Anonymous, "True Utility® Keyring System," True Utility (Date Unknown).

(56)

References Cited

OTHER PUBLICATIONS

Dieck, "Ultra Ultra minimalist keyring," EDCForums (May 29, 2008).
Diaz, Oscar, "While u sleep," Oscar Diaz Studio (Date Unknown).
Wild Style, "wild style's daily carry," EDCForums (Oct. 21, 2009).
Anonymous, "Carrying Keys," Carryology (Jun. 3, 2010).
Busch, "Photo Set 1," (Jul. 8, 2007).
Busch, "Photo Set 2," (Jul. 8, 2007).
F3RG, "Crank Bros. Folding Keychain," Mtbr Forums (Jan. 29, 2009).
Anonymous, "Photo Of Keys" (Date Unknown).
PYRO222, "Multi-tool Keys—Mod / Hack," Instructables (Jul. 20, 2008).
Anonymous, "Compact Key Chain," Sagawisiw (Jun. 10, 2012).

Lota, Jon, "KeyFlip," Kickstarter.com (Jan. 25, 2013) (printed Jun. 9, 2013).
Tunney, Michael Patrick, "SmartKey," Kickstarter.com (May 5, 2013) (printed Jun. 9, 2013).
Anonymous, "nail-file-pen," Halsun International (Date Unknown) (printed Apr. 21, 2014).
Anonymous, "Signature Item No. 54104," Victorinox (Date Unknown) (printed Apr. 21, 2014).
Anonymous, "Retractable Pen Refill Item No. 30459," Victorinox (Date Unknown) (printed Apr. 21, 2014).
Anonymous, "Ballpoint Pen, Large Item No. 30422," Victorinox (Date Unknown) (printed Apr. 21, 2014).
Anonymous, "Ballpoint Pen, Large Item No. 30422," Victorinox (Date Unknown) (printed Apr. 22, 2014).

* cited by examiner

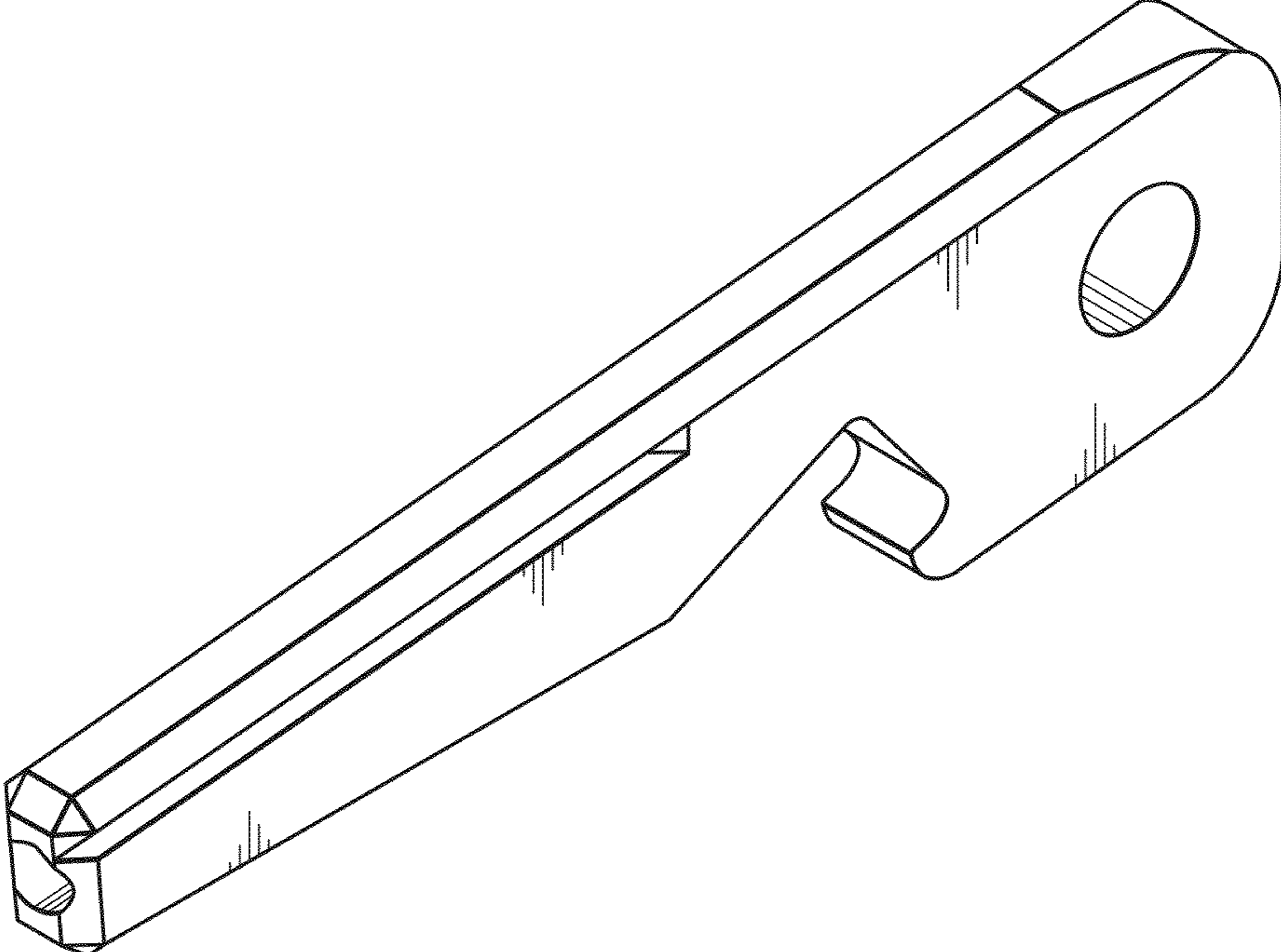


FIG. 1

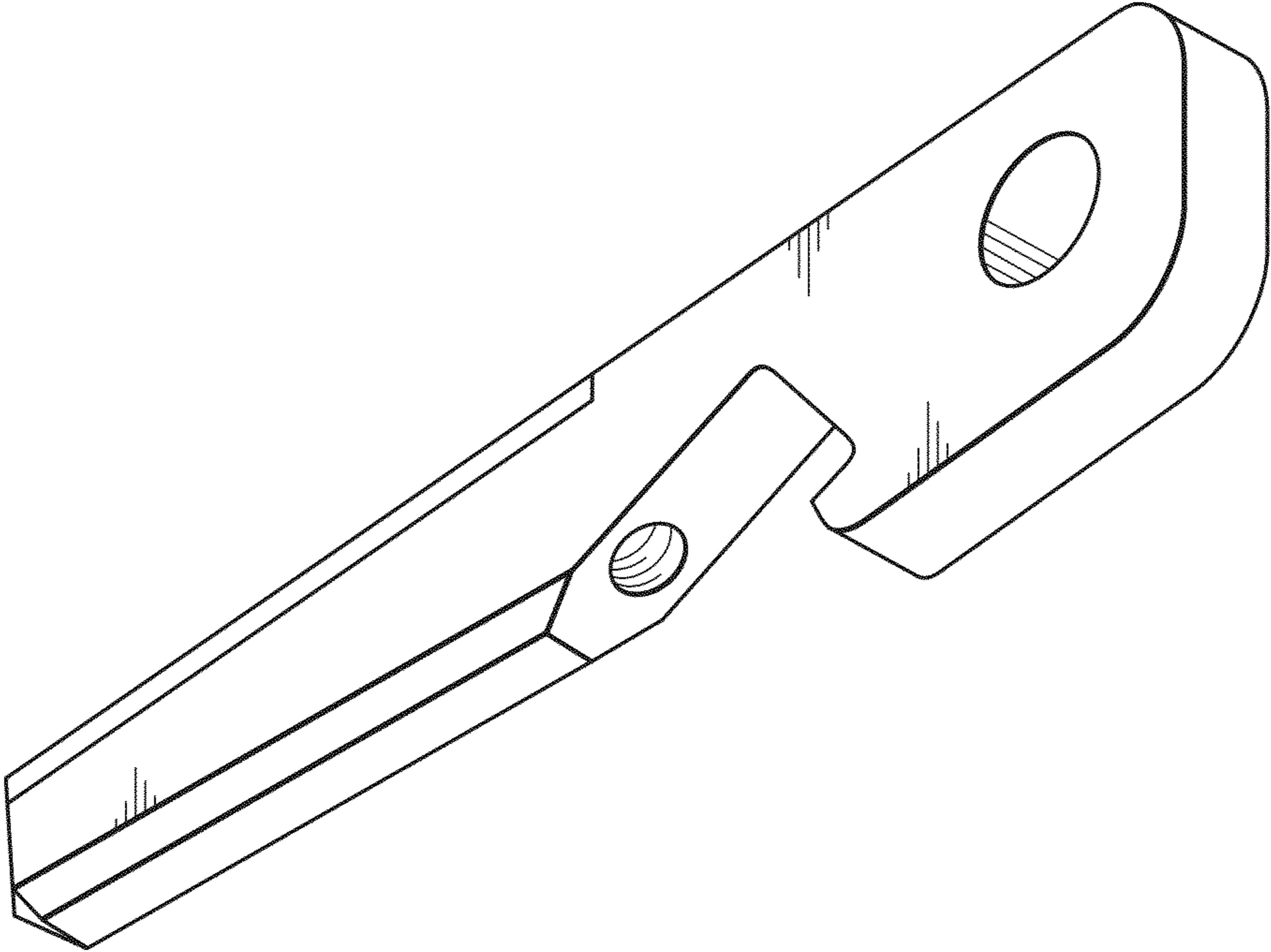


FIG. 2

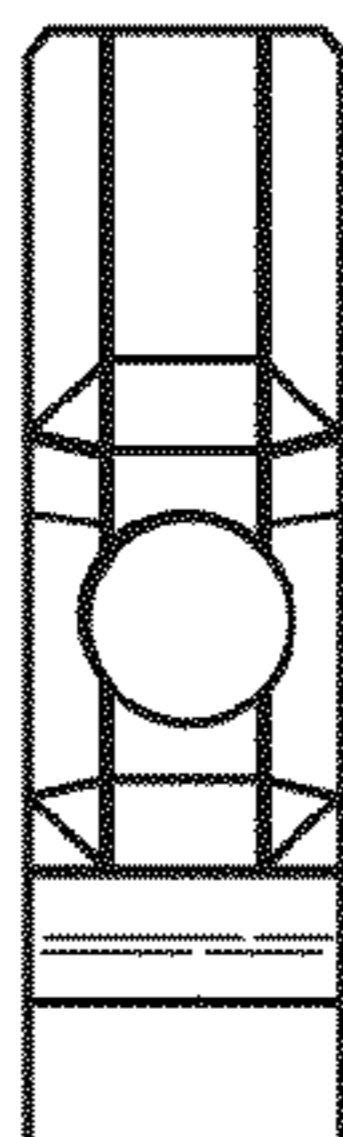


FIG. 3



FIG. 4

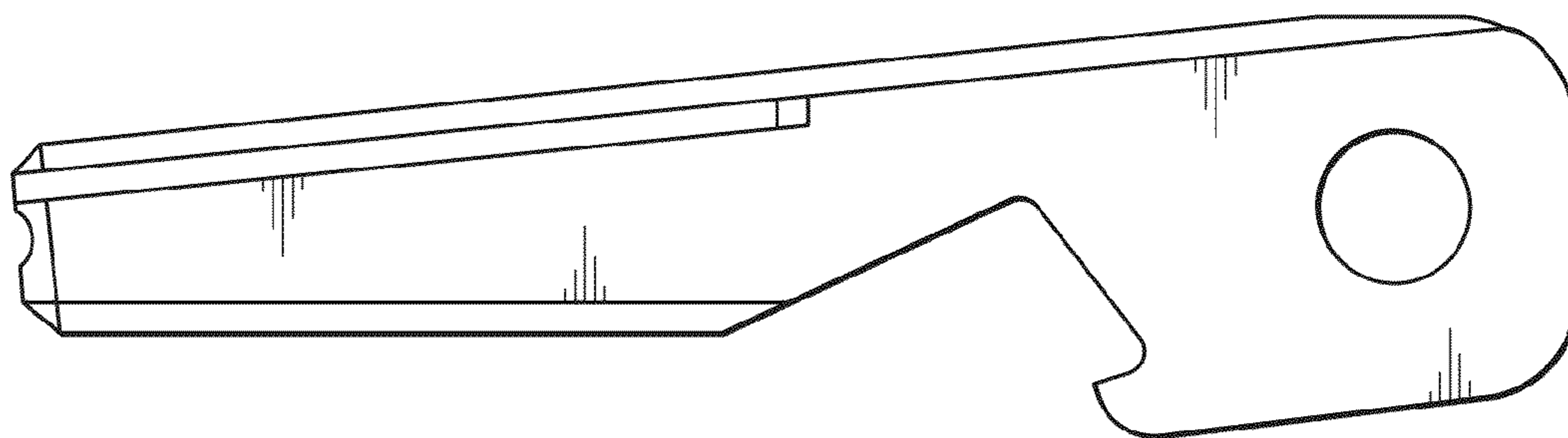


FIG. 5

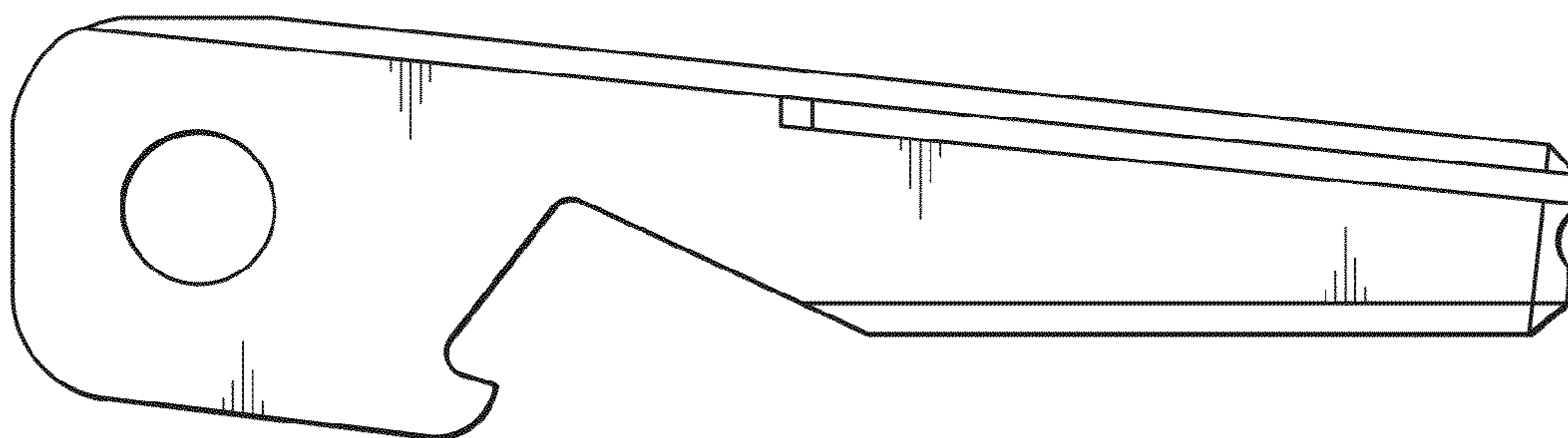


FIG. 6

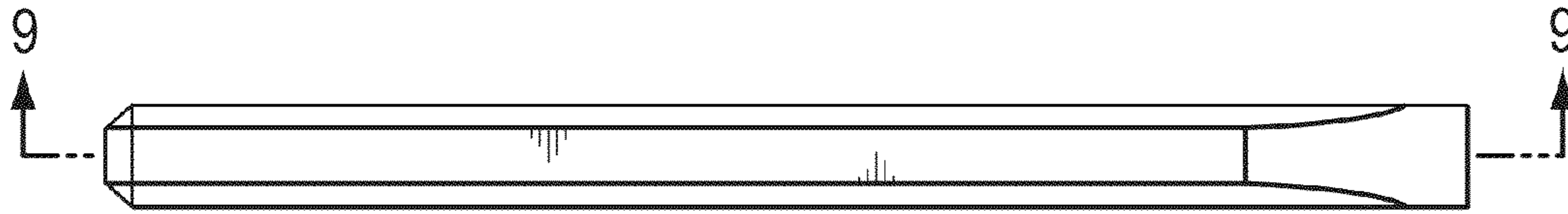


FIG. 7

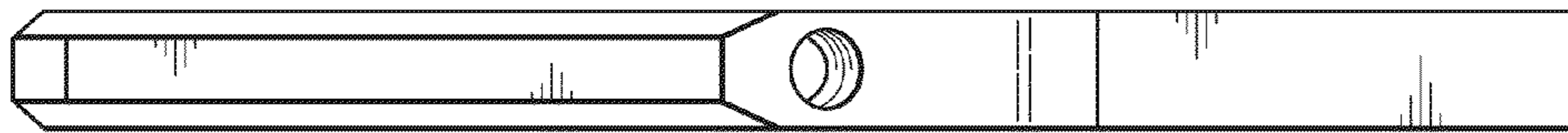


FIG. 8

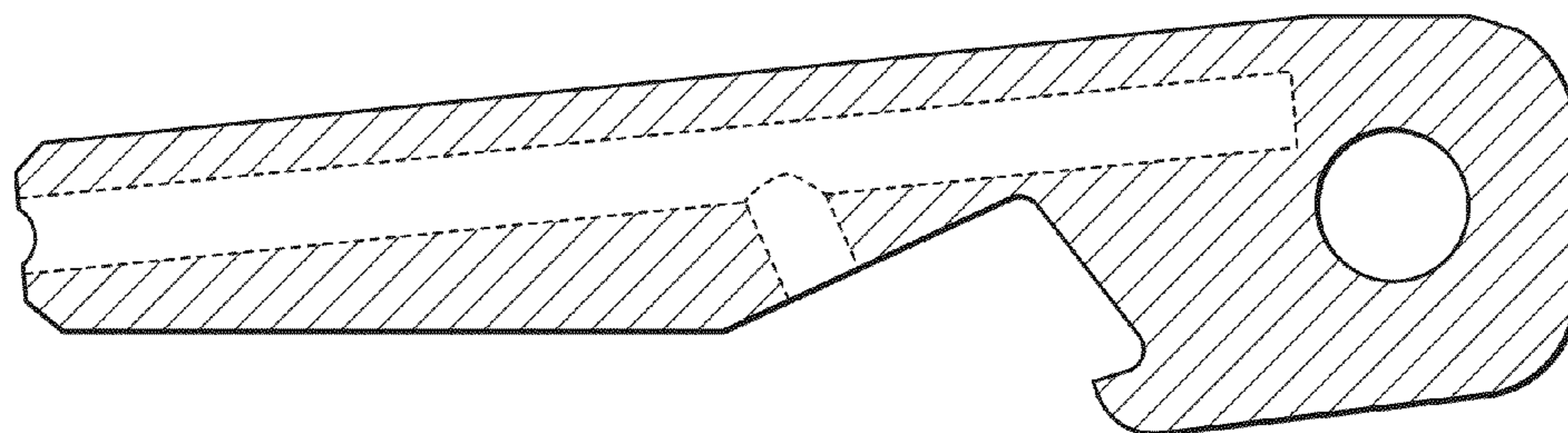


FIG. 9

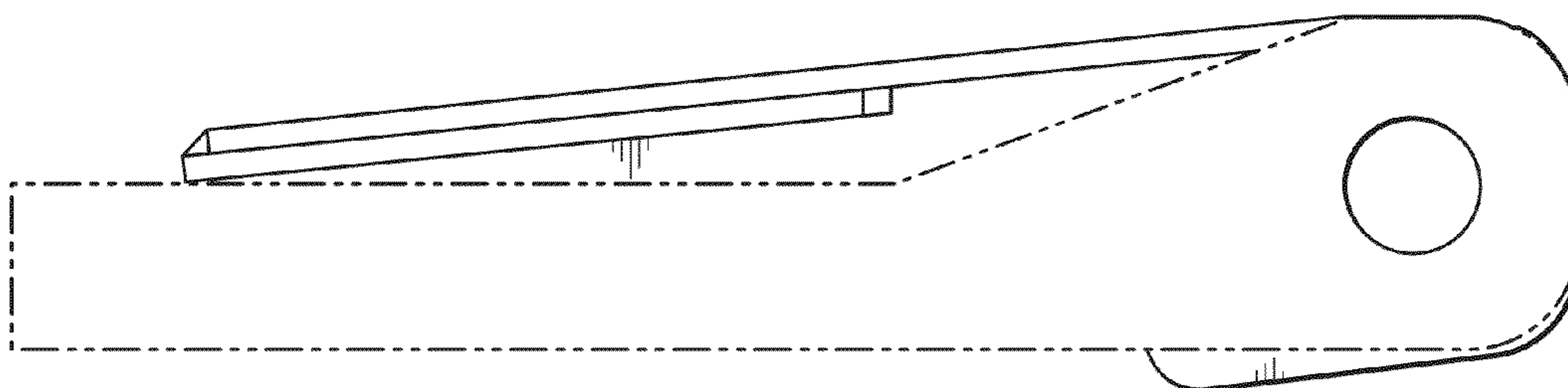


FIG. 10

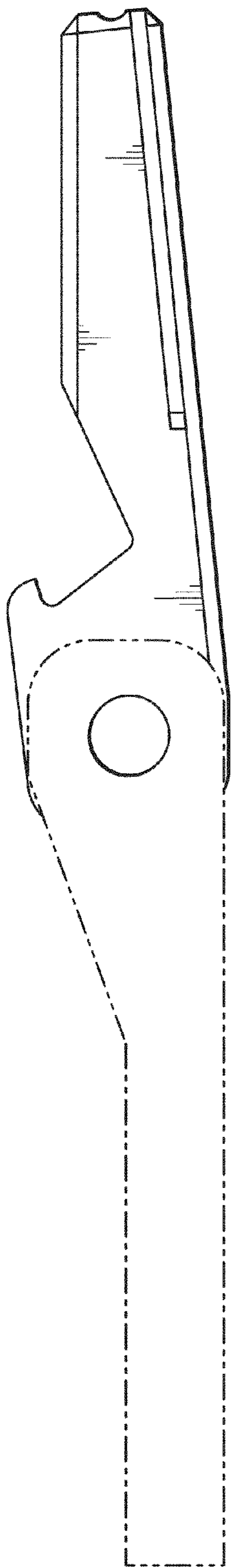


FIG. 11

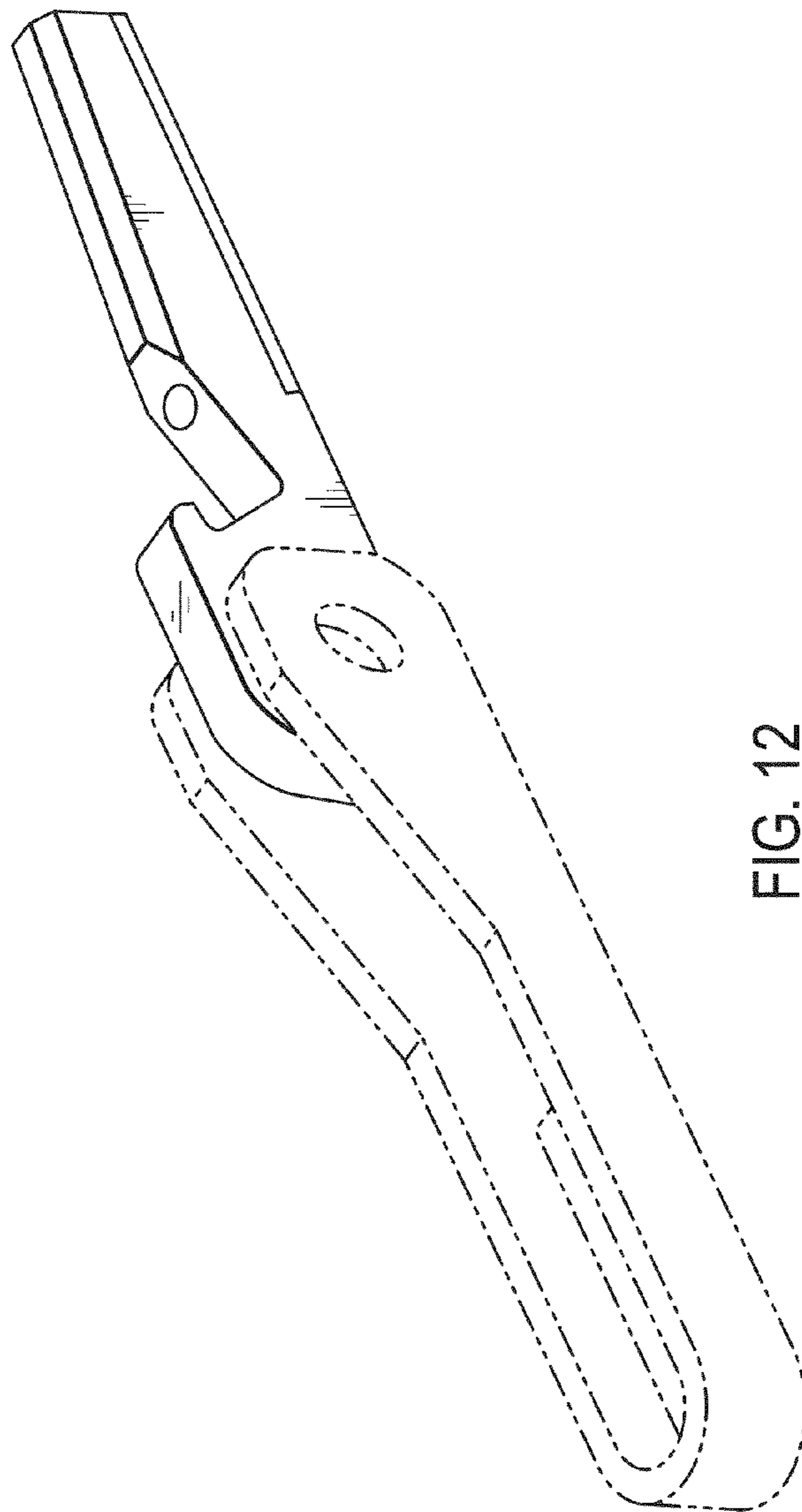


FIG. 12