



US00D730445S

(12) **United States Design Patent**
Suzuki

(10) **Patent No.:** **US D730,445 S**
(45) **Date of Patent:** **** May 26, 2015**

(54) **COATING TRANSFER DEVICE**

FOREIGN PATENT DOCUMENTS

(71) Applicant: **Tombow Pencil Co., Ltd.**, Tokyo (JP)

JP 1224115 S 11/2004
JP 1359197 S 5/2009

(72) Inventor: **Kazuhiko Suzuki**, Kawasaki (JP)

(Continued)

(73) Assignee: **Tombow Pencil Co., Ltd.**, Tokyo (JP)

OTHER PUBLICATIONS

(**) Term: **14 Years**

Jan. 20, 2014, Decision of Design Registration from the Korean Patent Office in Korean Patent Application No. 30-2013-0046128, which shares the same priority as this U.S. application.

(21) Appl. No.: **29/478,248**

(Continued)

(22) Filed: **Jan. 2, 2014**

Primary Examiner — Austin Murphy

(30) **Foreign Application Priority Data**

(74) *Attorney, Agent, or Firm* — Kolisch Hartwell, P.C.

Jul. 25, 2013 (JP) 2013-016955

(51) **LOC (10) Cl.** **19-02**

(52) **U.S. Cl.**

USPC **D19/69**

(58) **Field of Classification Search**

CPC B65H 35/0026; B65H 35/0073; B65H 35/0033; B65H 35/007; B26F 3/02

USPC D19/70, 69, 36, 68; 242/588.6, 588.2; 225/77, 6, 56, 39, 26, 25, 19, 11;

206/411; 156/577, 527, 523; D8/354, D8/382, 385, 499

See application file for complete search history.

(57)

CLAIM

What is claimed is the ornamental design for a coating transfer device, as shown and described.

DESCRIPTION

FIG. 1 is a perspective view of the bottom front and left sides of a coating transfer device according to an embodiment of the present invention having a cap coupled to the bottom of the device.

FIG. 2 is a front elevation of the embodiment of FIG. 1.

FIG. 3 is a left elevation of the embodiment of FIG. 1.

FIG. 4 is a rear elevation of the embodiment of FIG. 1.

FIG. 5 is a right elevation of the embodiment of FIG. 1.

FIG. 6 is a bottom plan view of the embodiment of FIG. 1.

FIG. 7 is a top plan view of the embodiment of FIG. 1.

FIG. 8 is a perspective view of the bottom front and left sides of a coating transfer device according to an alternative embodiment of the present invention having the cap coupled at the top of the device; and,

FIG. 9 is a left elevation of the embodiment of FIG. 8.

The broken lines shown in the drawings are for illustrative purposes only and form no part of the claimed design.

(56) **References Cited**

U.S. PATENT DOCUMENTS

D467,617 S * 12/2002 Soetewey D19/69

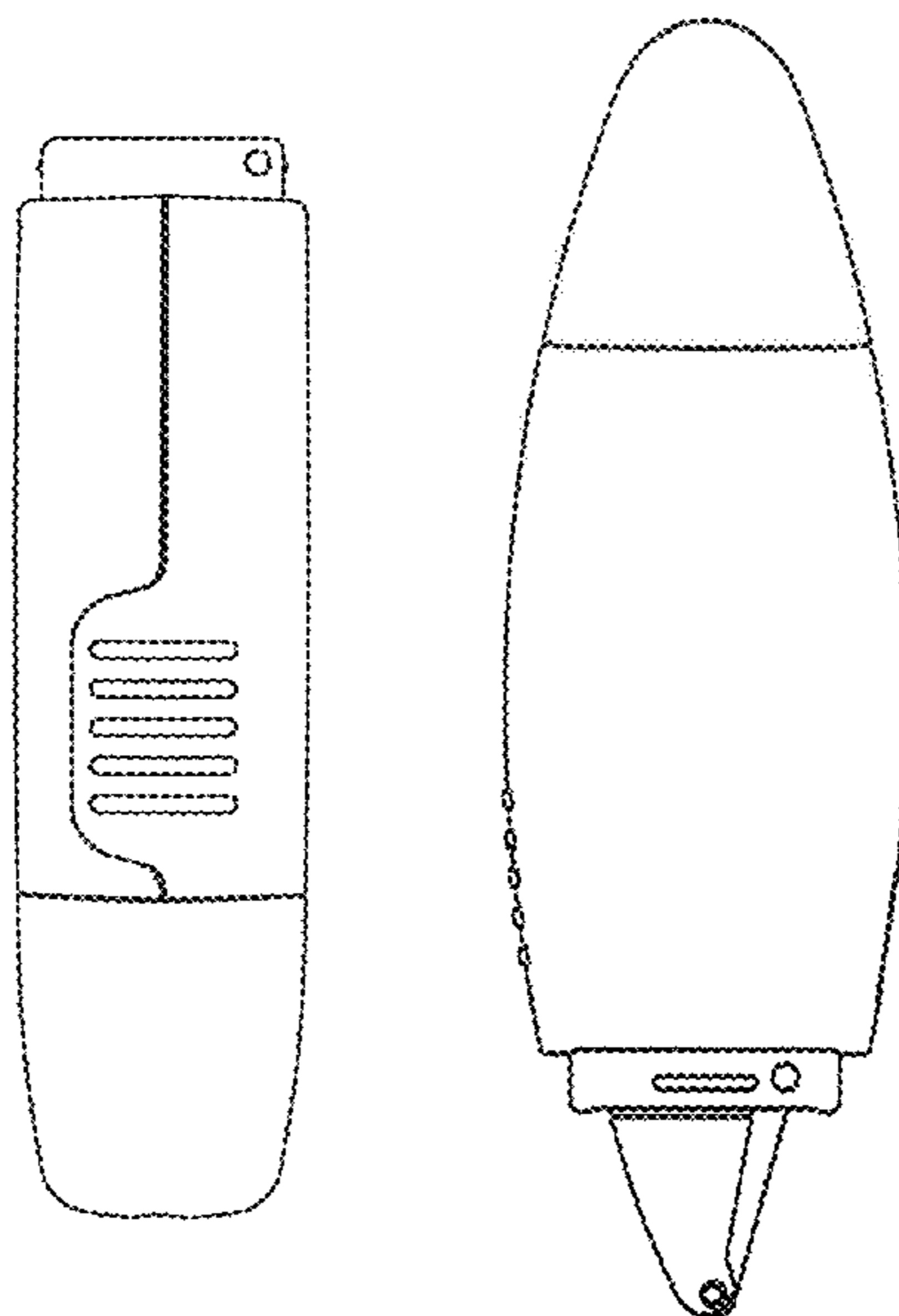
D524,373 S 7/2006 Kimura

D532,457 S * 11/2006 Chen D19/69

D542,845 S 5/2007 Suzuki

(Continued)

1 Claim, 6 Drawing Sheets



(56)

References Cited

U.S. PATENT DOCUMENTS

D542,846 S 5/2007 Suzuki
 D543,238 S 5/2007 Suzuki
 D543,239 S 5/2007 Suzuki
 D543,240 S 5/2007 Suzuki
 D559,322 S 1/2008 Kobayashi
 D574,431 S 8/2008 Kouda
 D574,432 S 8/2008 Kouda
 D574,892 S 8/2008 Kouda
 D577,771 S 9/2008 Kouda
 D580,984 S 11/2008 Kouda
 D581,466 S * 11/2008 Lin D19/69
 D588,644 S 3/2009 Kobayashi
 D595,774 S 7/2009 Kouda
 D619,174 S * 7/2010 Yeh D19/69
 D619,655 S 7/2010 Suzuki
 D620,526 S 7/2010 Suzuki
 D620,527 S 7/2010 Suzuki
 D620,528 S 7/2010 Suzuki
 D623,231 S 9/2010 Suzuki
 D636,025 S 4/2011 Kouda
 D640,321 S 6/2011 Kuronuma
 D640,322 S 6/2011 Kouda

D640,742 S 6/2011 Booty, Jr.
 D650,860 S * 12/2011 Wu D19/69
 D659,761 S * 5/2012 Matsushita et al. D19/69
 D660,359 S * 5/2012 Ariga et al. D19/69
 D661,353 S * 6/2012 Ariga D19/69
 D665,448 S * 8/2012 Ariga et al. D19/67

FOREIGN PATENT DOCUMENTS

KR 300256291 S 4/2000
 TW D124830 S 9/2008

OTHER PUBLICATIONS

May 17, 2014, Examination Decision and Search Report from the Taiwan Patent Office in Taiwanese Patent Application No. 102306304, which shares the same priority as this U.S. application.
 May 10, 2014, Examination Report from Japanese Patent Office, in Japanese Design Application No. D2013-16955, which is the priority application for this U.S. application.
 Jan. 16, 2015, Notice of Allowance in U.S. Appl. No. 29/478,371, which shares the same priority as this U.S. application.

* cited by examiner

Fig. 1

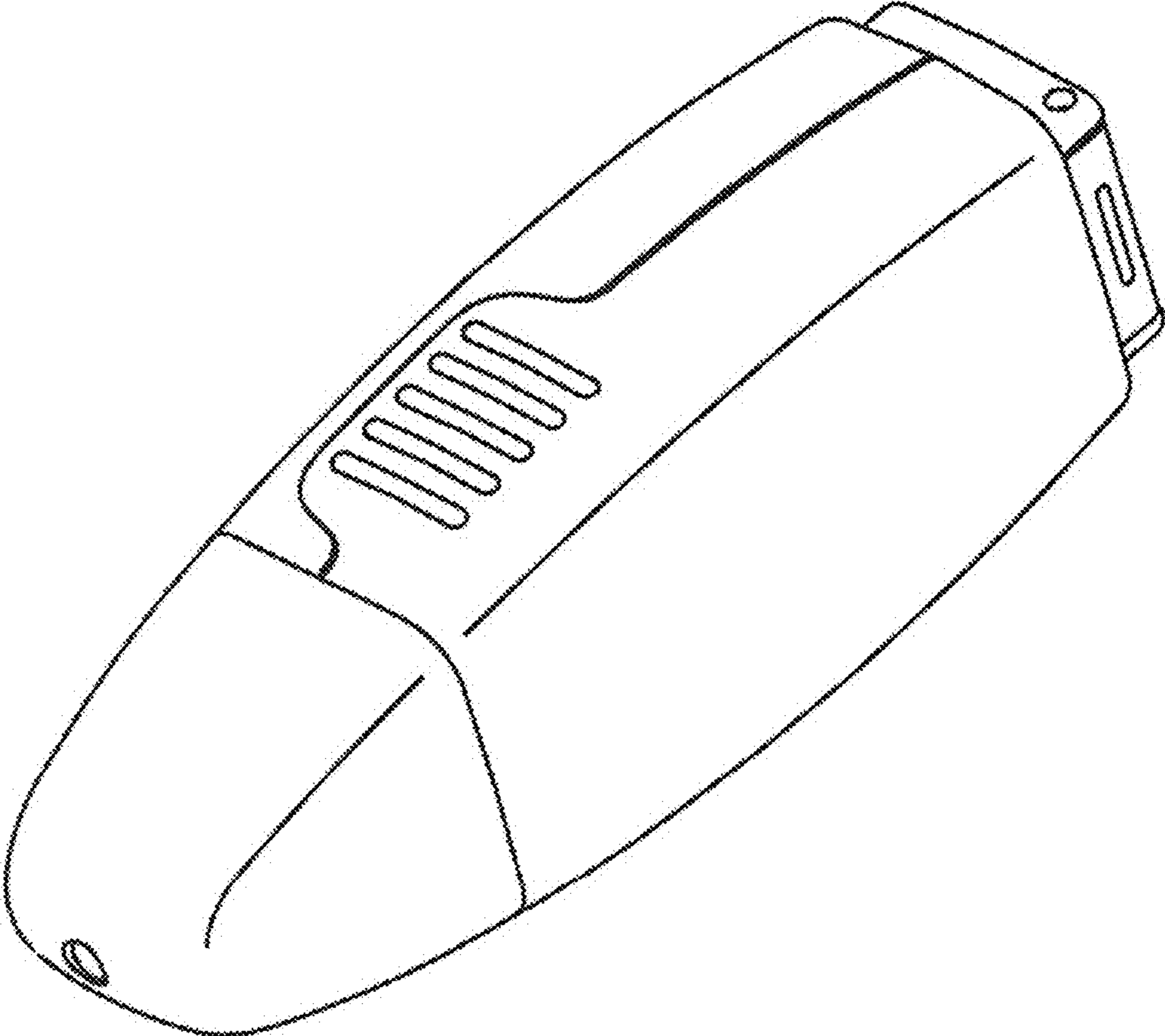


Fig. 2

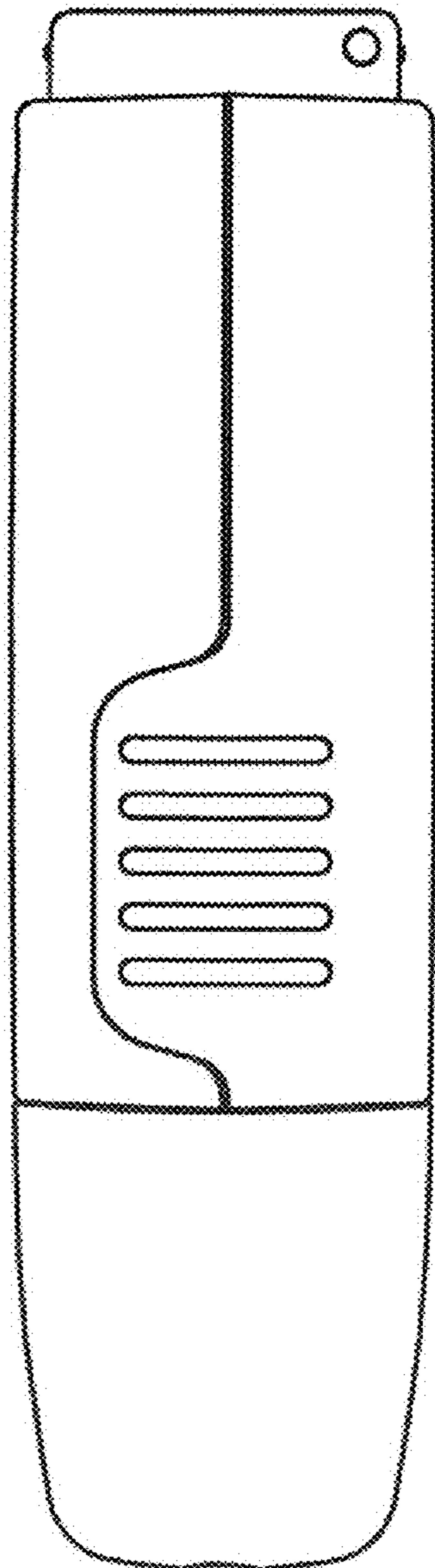


Fig. 3

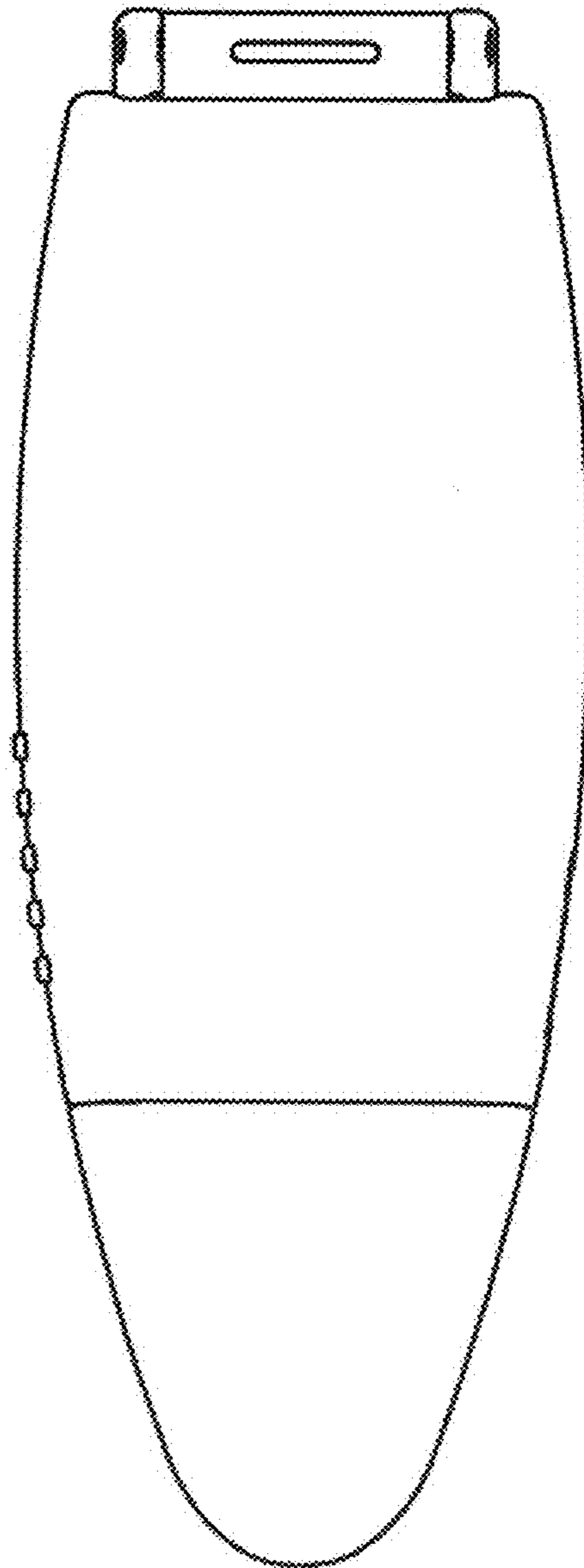


Fig. 4

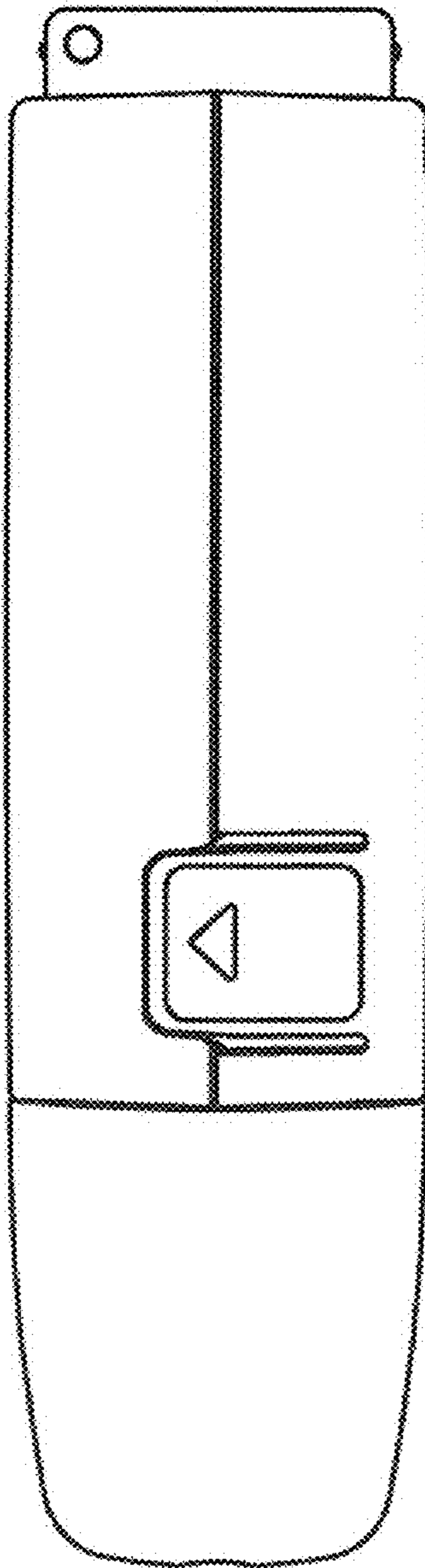


Fig. 5

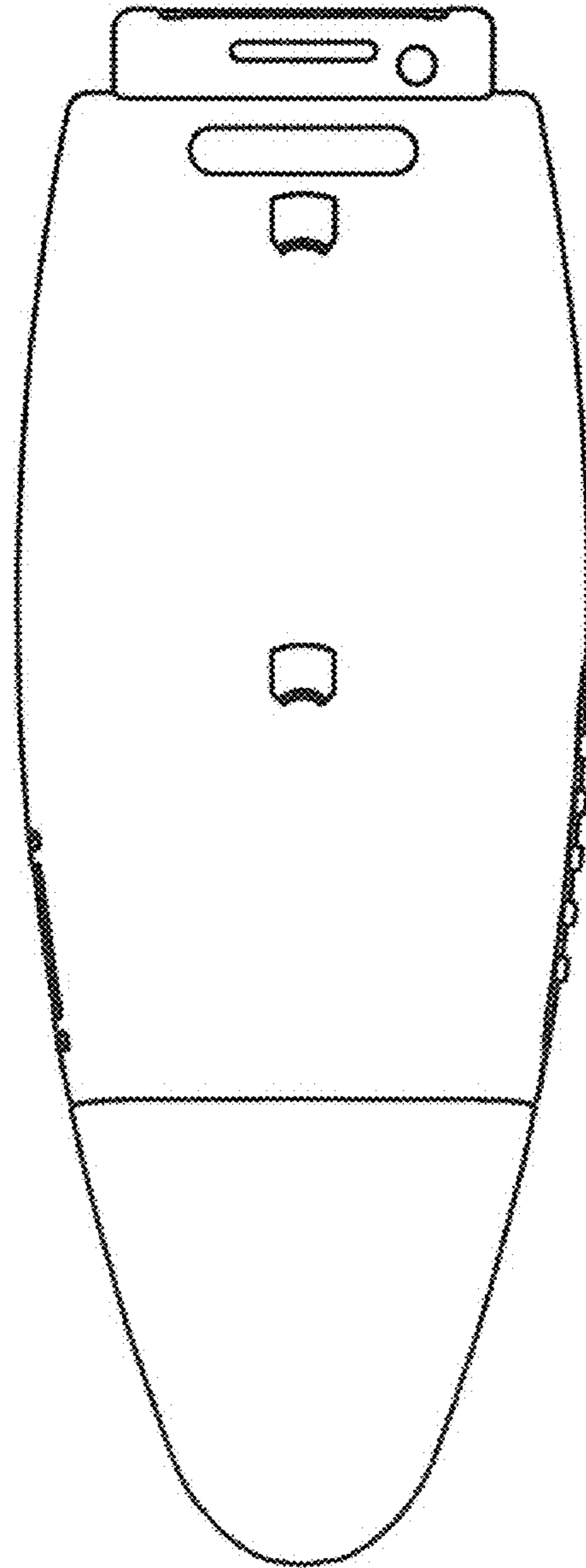


Fig. 6

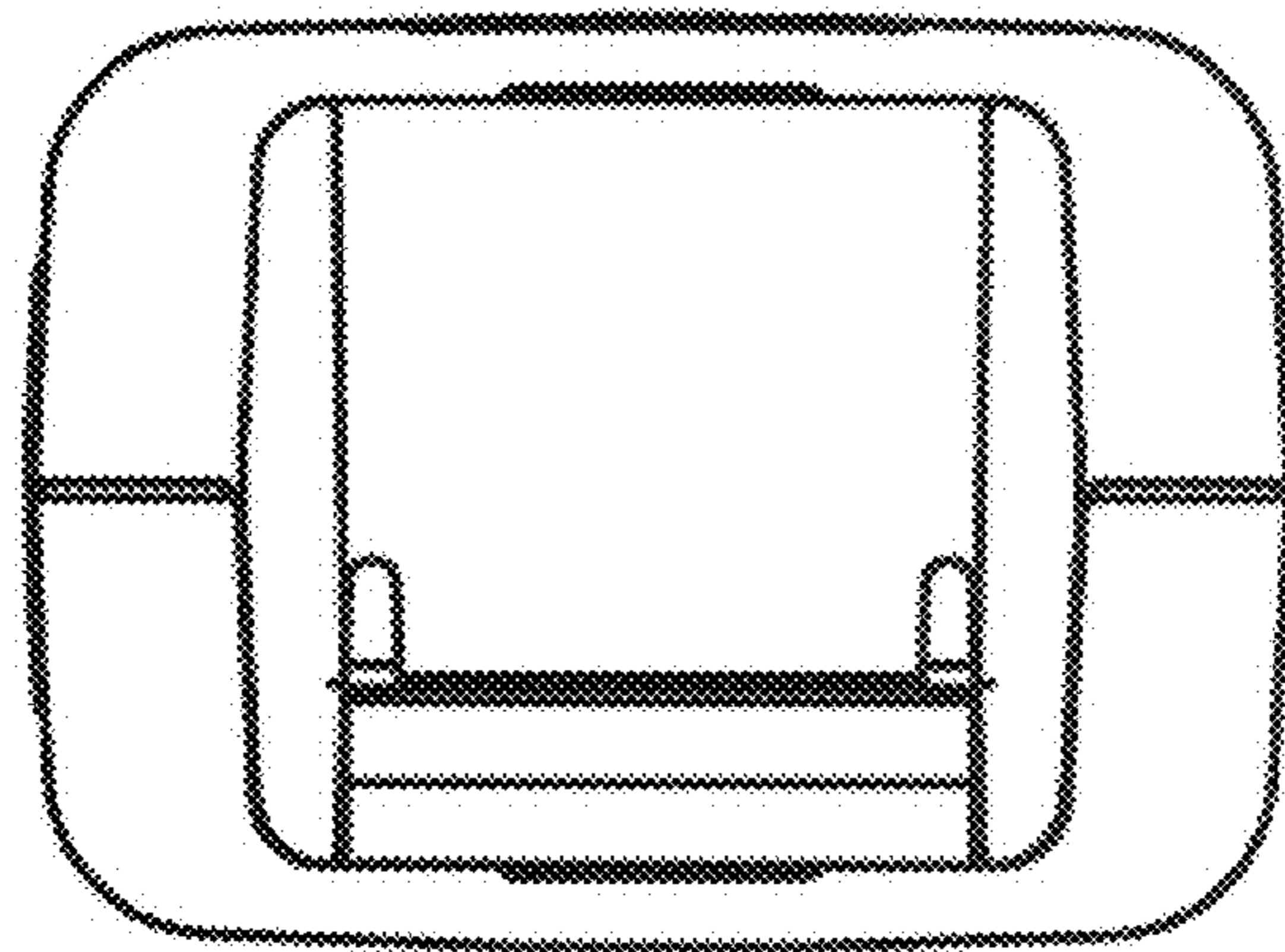


Fig. 7

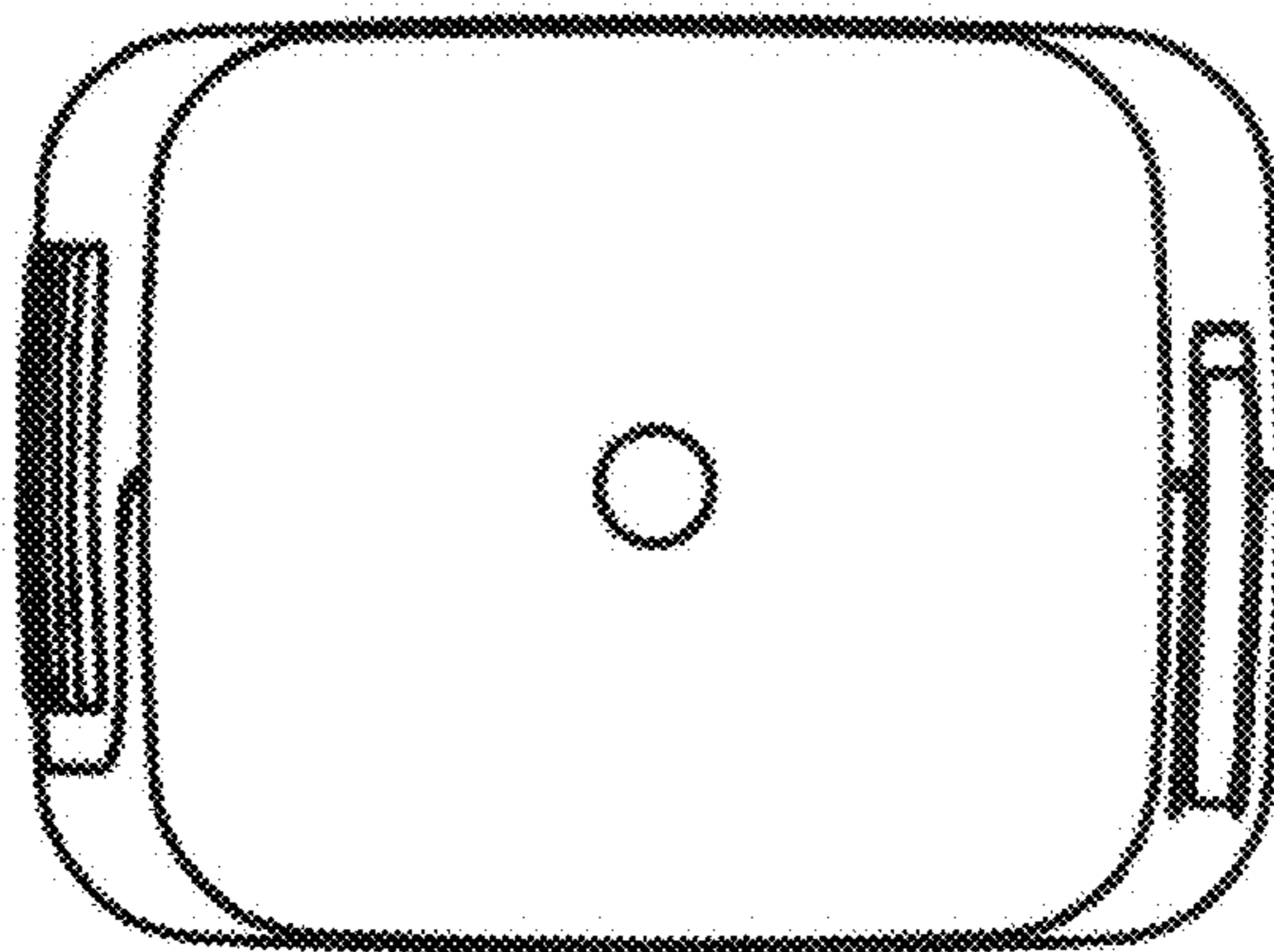


Fig. 8

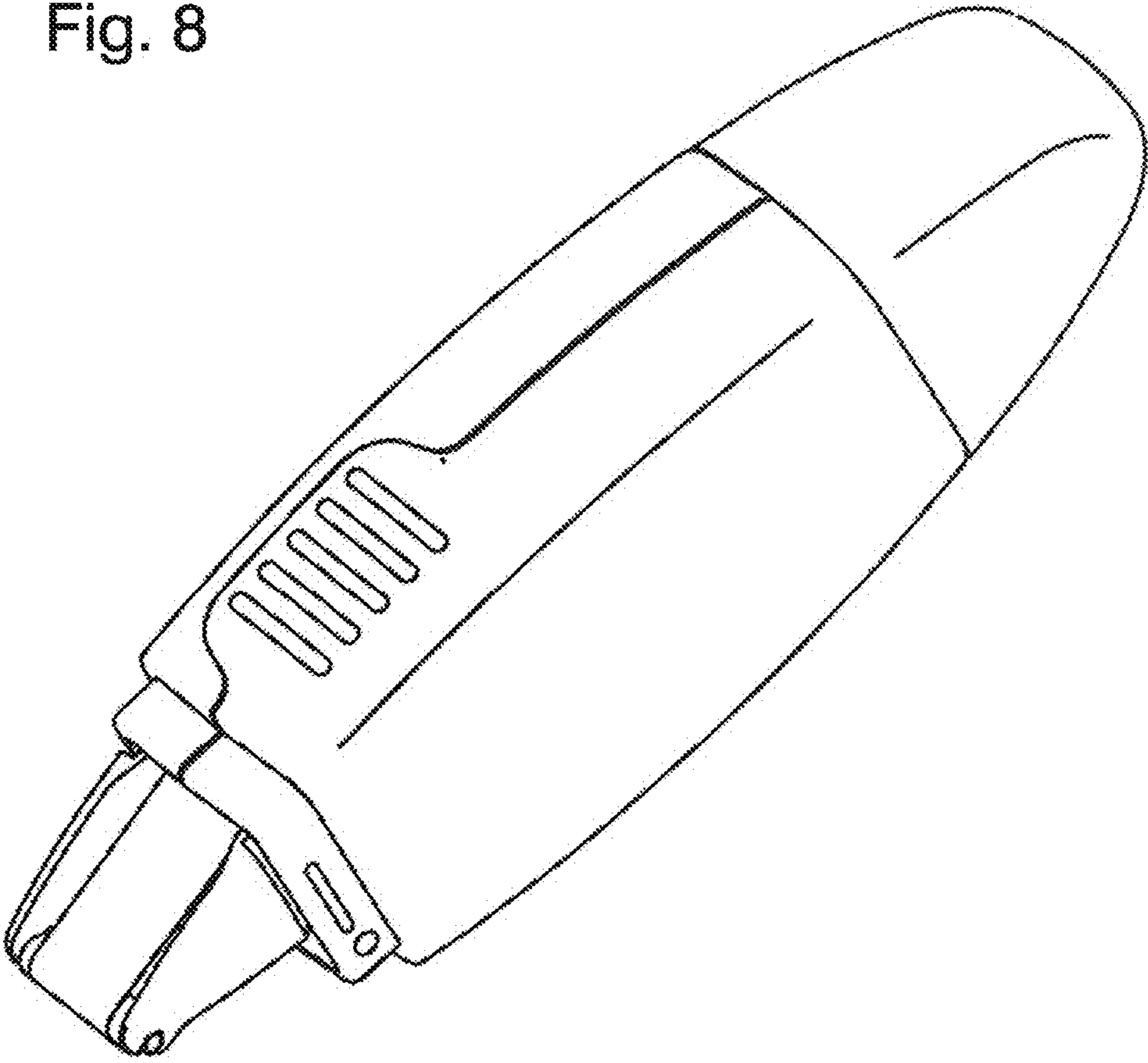


Fig. 9

