



US00D730444S

(12) **United States Design Patent**
Hansen et al.

(10) **Patent No.:** **US D730,444 S**

(45) **Date of Patent:** **** May 26, 2015**

(54) **DISPENSER**

(71) Applicant: **Beekley Corporation**, Bristol, CT (US)

(72) Inventors: **Florence M. Hansen**, Prospect, CT (US); **Peter A. Papadopoulos**, Windsor, CT (US); **Renee Apostolidis**, Rocky Hill, CT (US)

(73) Assignee: **Beekley Corporation**, Bristol, CT (US)

(**) Term: **14 Years**

(21) Appl. No.: **29/449,535**

(22) Filed: **Mar. 15, 2013**

(51) **LOC (10) Cl.** **19-02**

(52) **U.S. Cl.**
USPC **D19/69**

(58) **Field of Classification Search**
CPC B65H 37/005; B65H 27/37; B65H 35/006;
B65H 35/0026; B65H 35/0073; B65H 35/0033
USPC D19/36, 70, 69, 68; D13/133, 146;
242/588.6, 588.3, 588.2; 225/77, 6, 56,
225/69, 26, 25, 19, 11; 206/411; 156/577,
156/527, 523
See application file for complete search history.

(56) **References Cited**

U.S. PATENT DOCUMENTS

D494,623	S	*	8/2004	Huang	D19/69
D517,606	S	*	3/2006	Daffertshofer et al.	D19/69
D586,675	S	*	2/2009	Wagner et al.	D10/72
D586,676	S	*	2/2009	Wagner et al.	D10/72
D609,274	S	*	2/2010	Hsu et al.	D19/69
D616,941	S	*	6/2010	Bradfield	D19/69
D645,087	S	*	9/2011	Fung et al.	D19/69
D647,565	S	*	10/2011	Pourian et al.	D19/69
D656,548	S	*	3/2012	Packard et al.	D19/69
D657,420	S	*	4/2012	Clover et al.	D19/69
D713,452	S	*	9/2014	Goldmeier	D19/69

D720,807	S	*	1/2015	Jianvarakul et al.	D19/69
2005/0284982	A1		12/2005	Kasper		
2007/0267148	A1*		11/2007	Steele et al.	156/577

OTHER PUBLICATIONS

“Beekley Spots® are out of the Box! and into New Packaging!”, Aug. 2005, Beekley Corporation, Bristol, CT.

* cited by examiner

Primary Examiner — Austin Murphy

(74) *Attorney, Agent, or Firm* — McCarter & English, LLP

(57) **CLAIM**

The ornamental design for a dispenser, as shown and described.

DESCRIPTION

FIG. 1 is a front perspective view of a first embodiment of a dispenser;

FIG. 2 is a left side elevational view thereof;

FIG. 3 is a right side elevational view thereof;

FIG. 4 is a front elevational view thereof;

FIG. 5 is a rear elevational view thereof;

FIG. 6 is a top plan view thereof; and

FIG. 7 is a bottom plan view thereof.

FIG. 8 is a front perspective view of a second embodiment of a dispenser;

FIG. 9 is a left side elevational view thereof;

FIG. 10 is a right side elevational view thereof;

FIG. 11 is a front elevational view thereof;

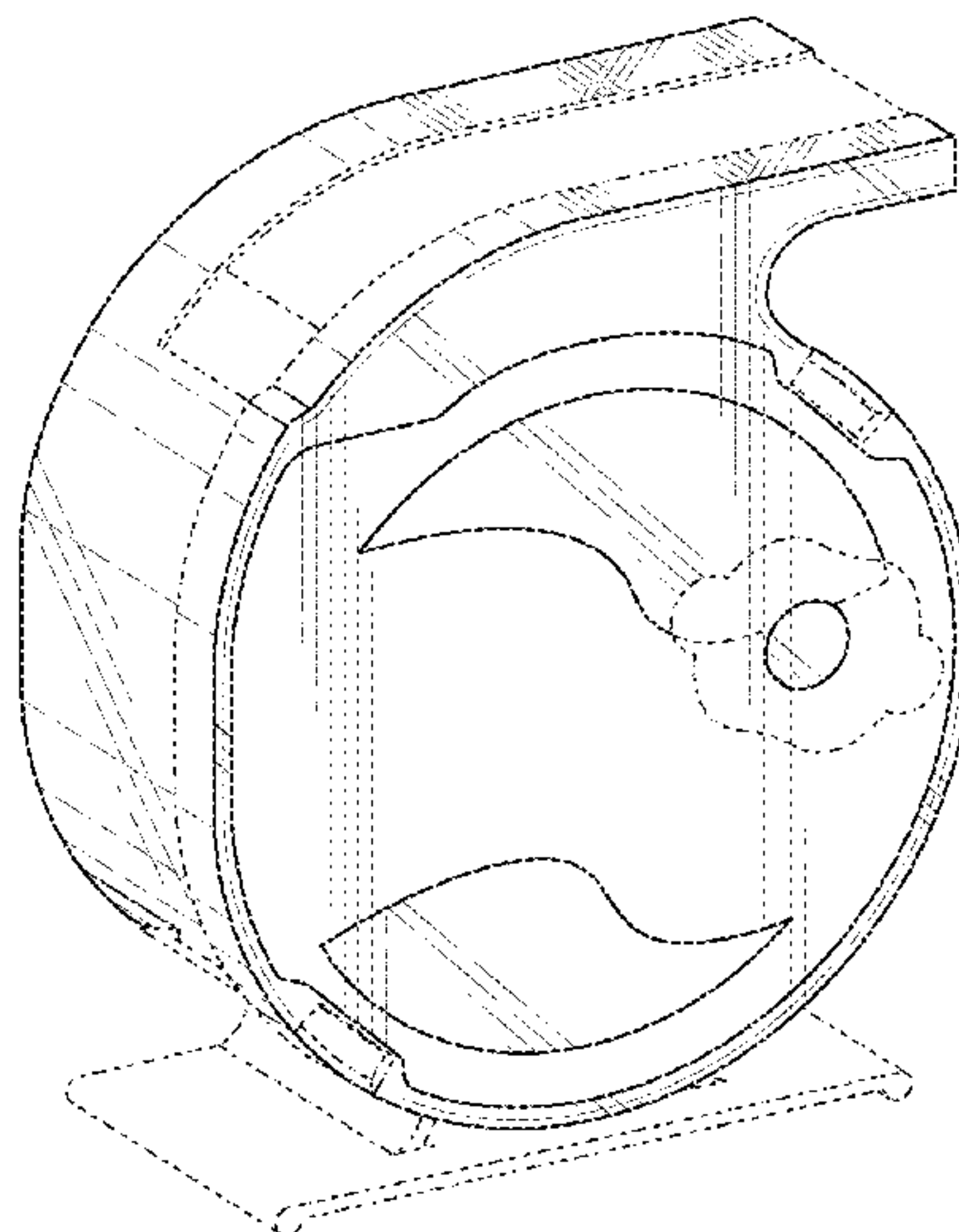
FIG. 12 is a rear elevational view thereof;

FIG. 13 is a top plan view thereof; and,

FIG. 14 is a bottom plan view thereof.

The broken lines in the figures show structure or boundaries that are not part of the claimed design, but rather show the environment in which the design is associated, or show portions of the article in which the design is embodied or applied to, that are not part of the claimed design.

1 Claim, 8 Drawing Sheets



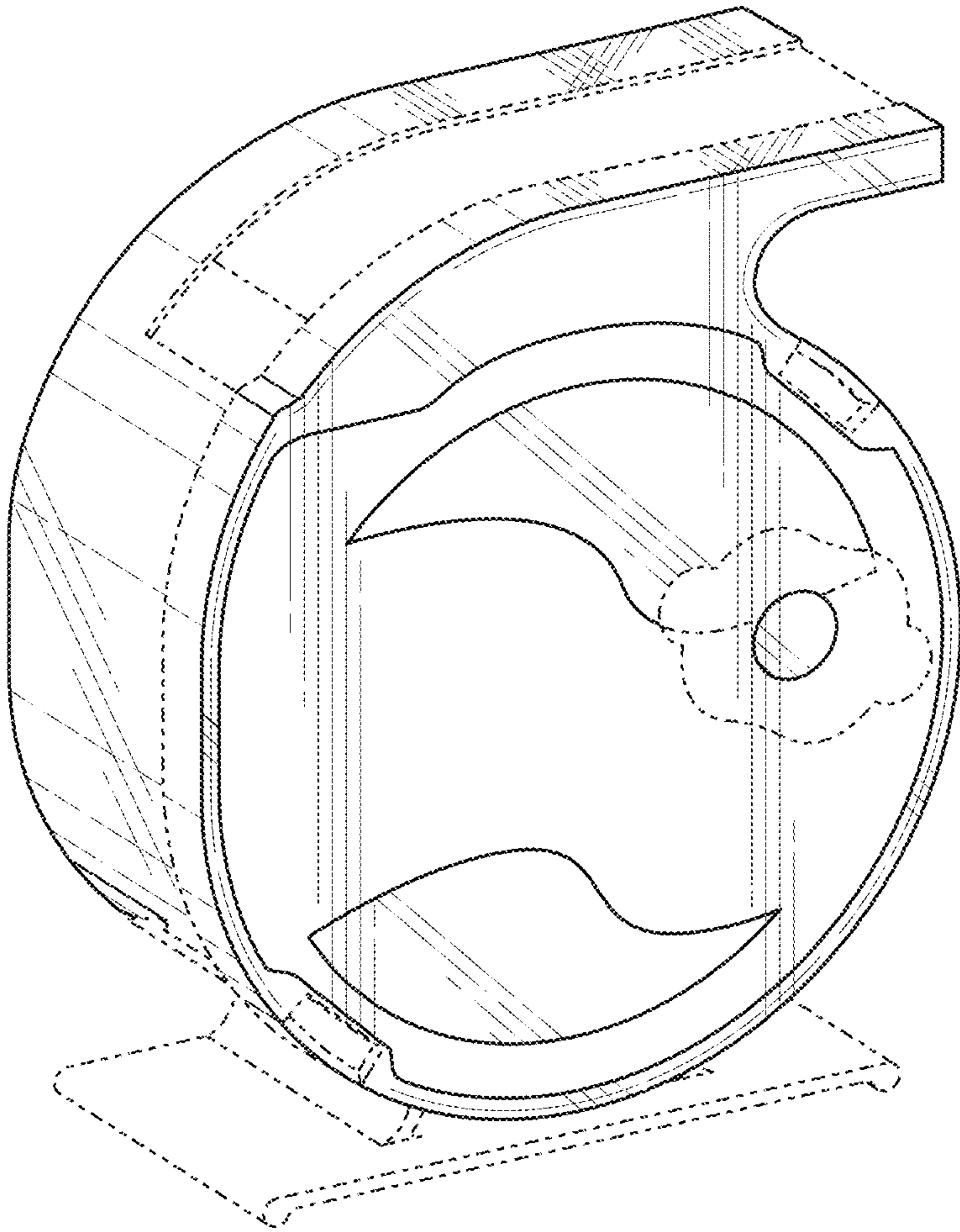


FIG. 1

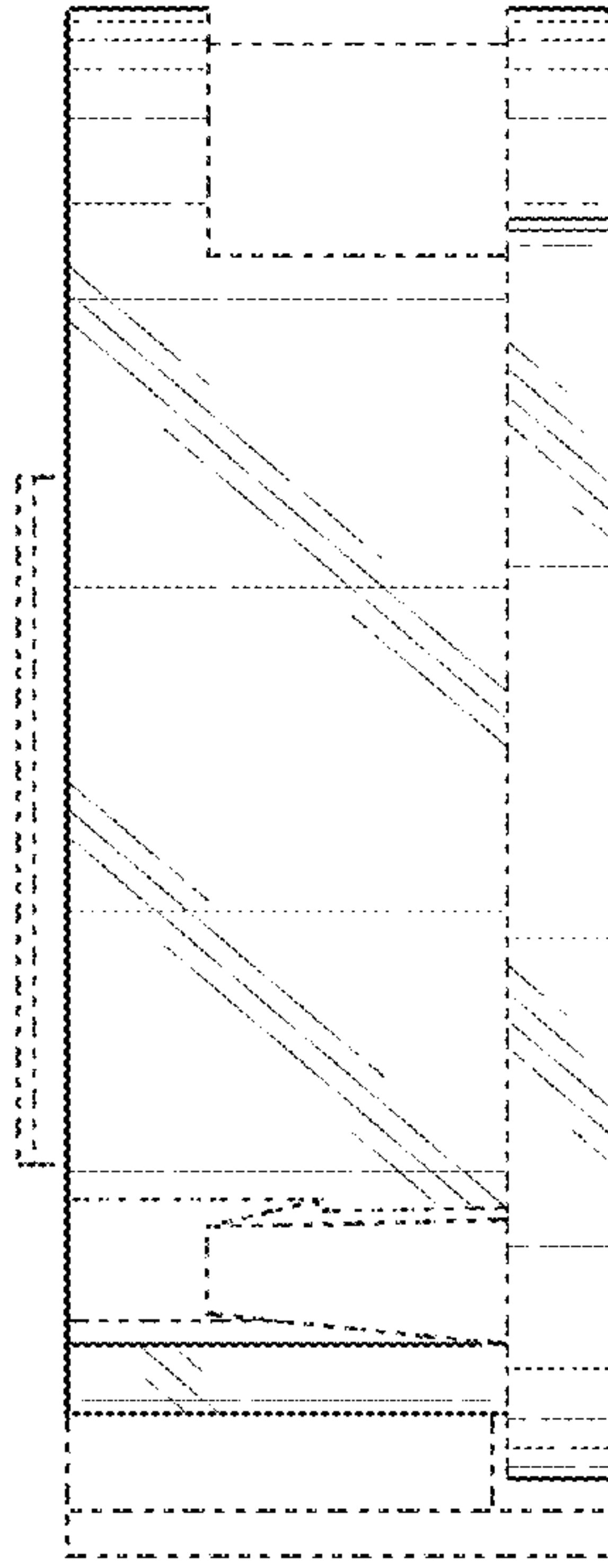


FIG. 2

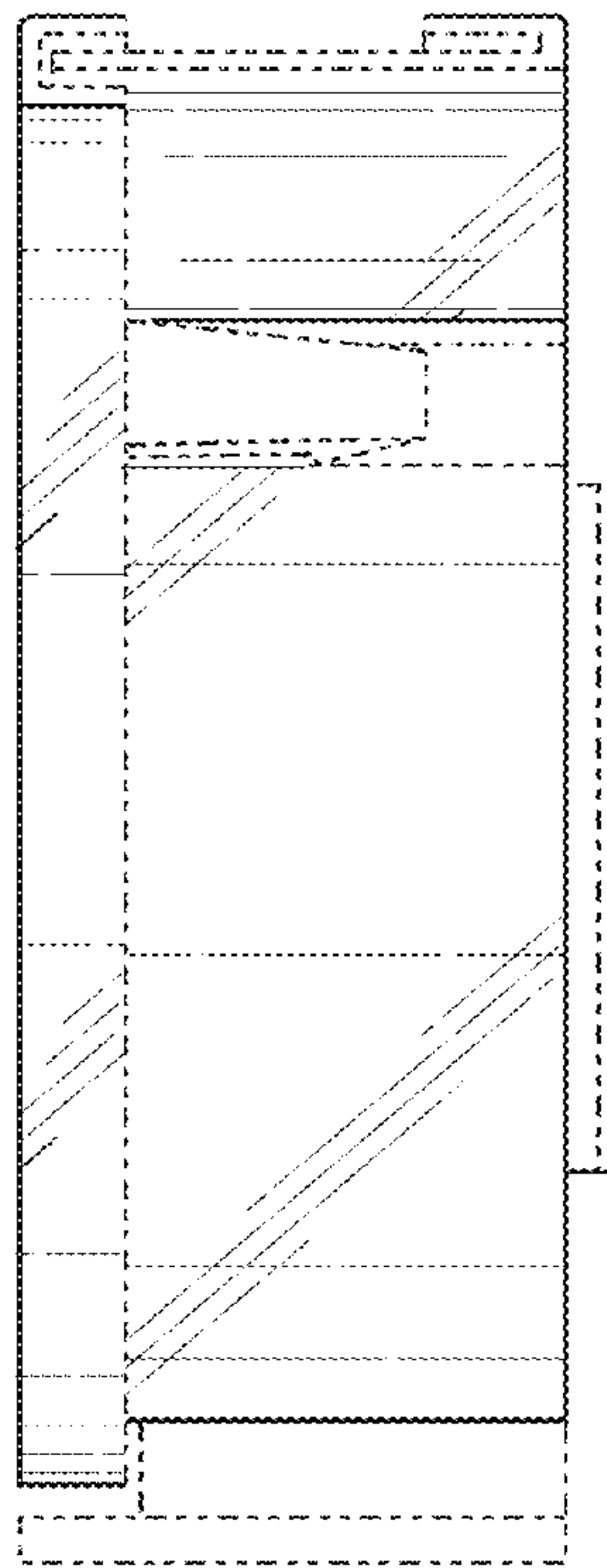


FIG. 3

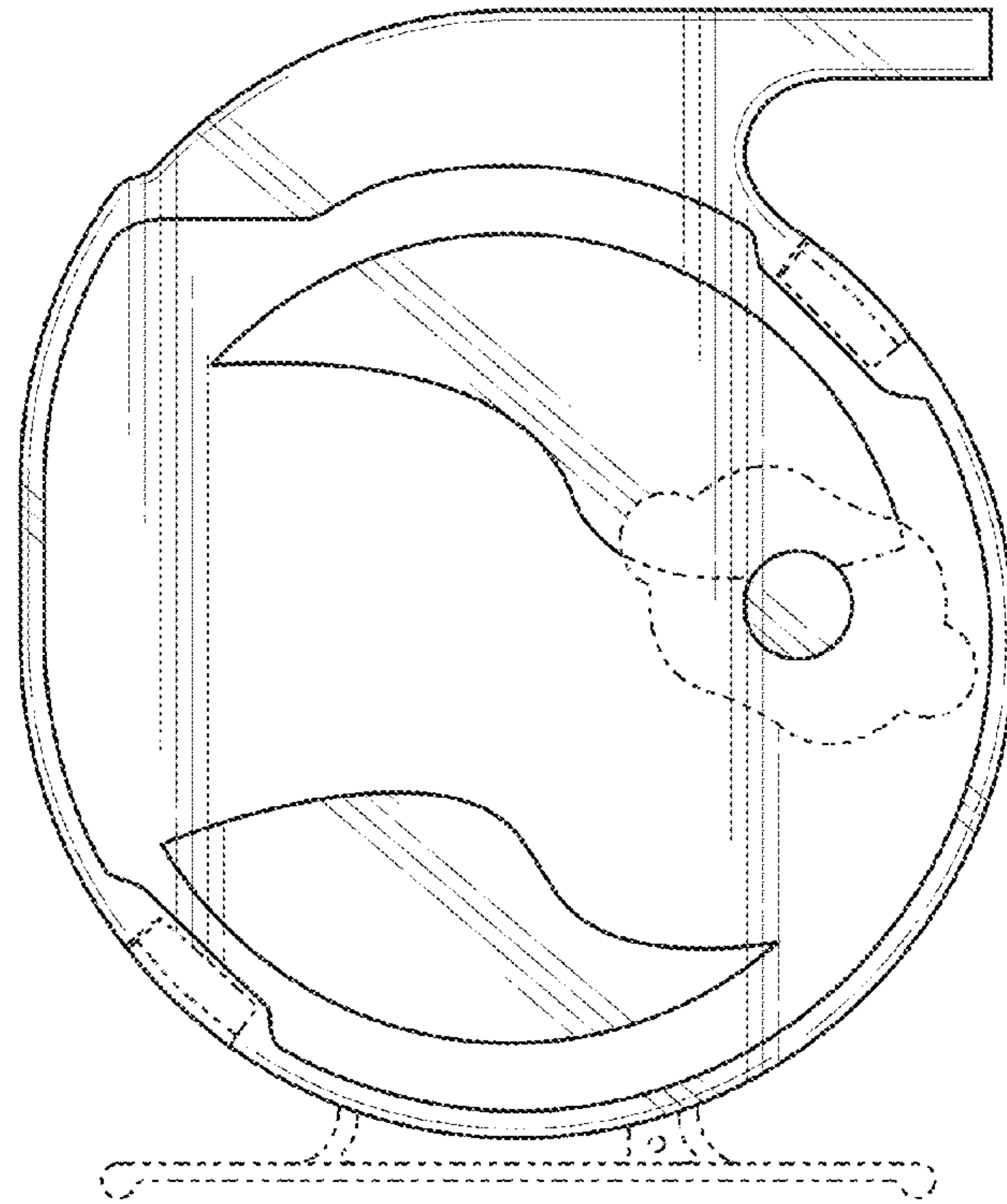


FIG. 4

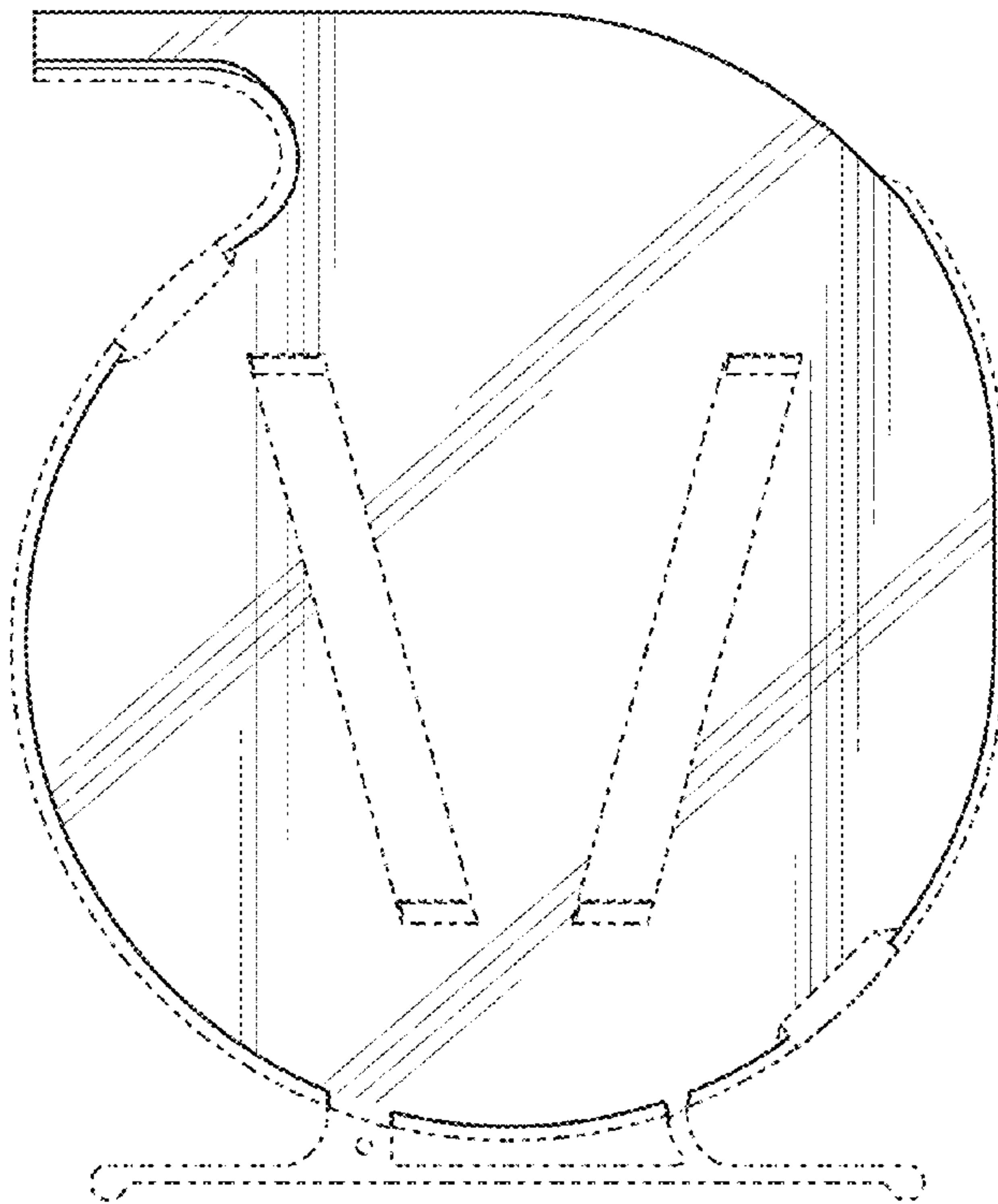


FIG. 5

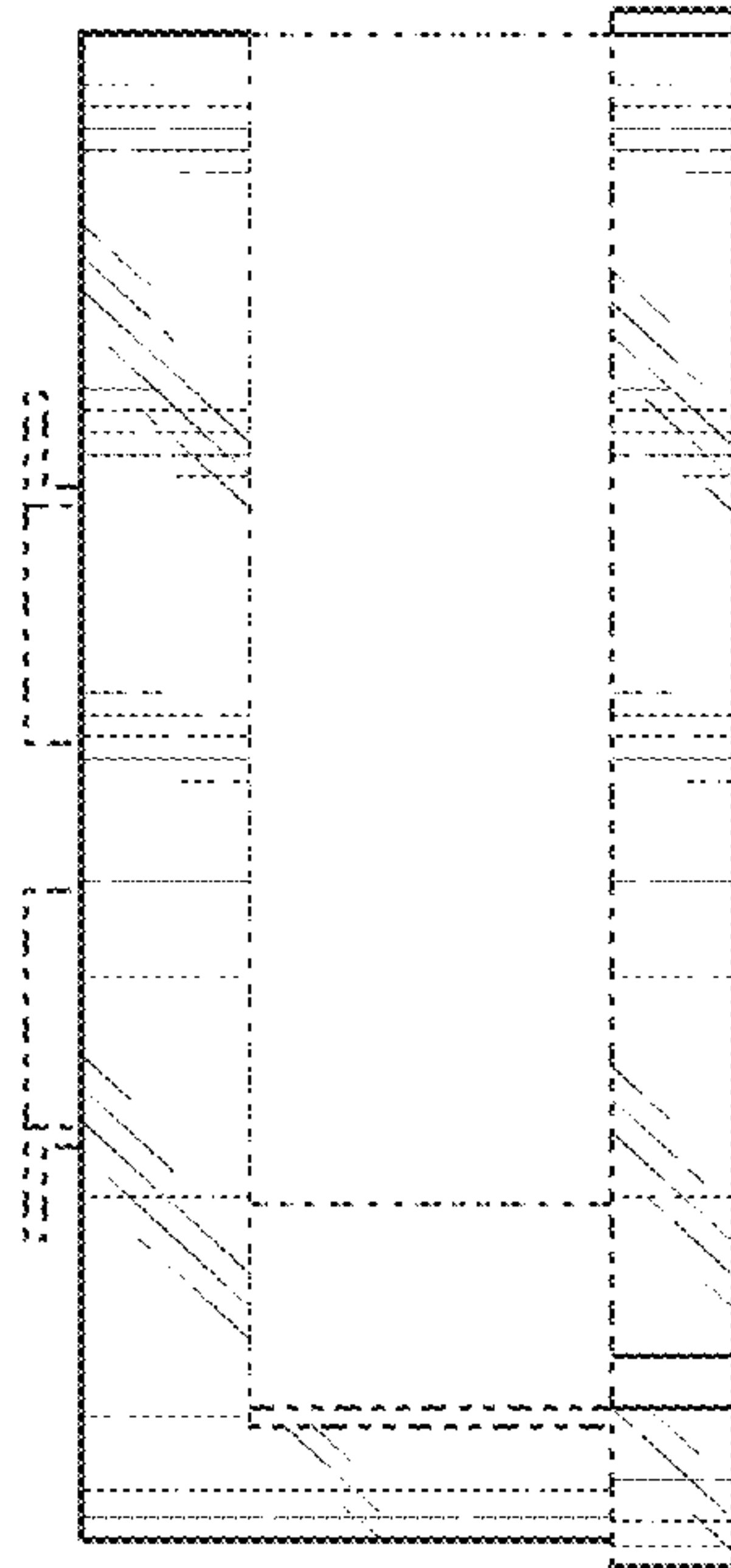


FIG. 6

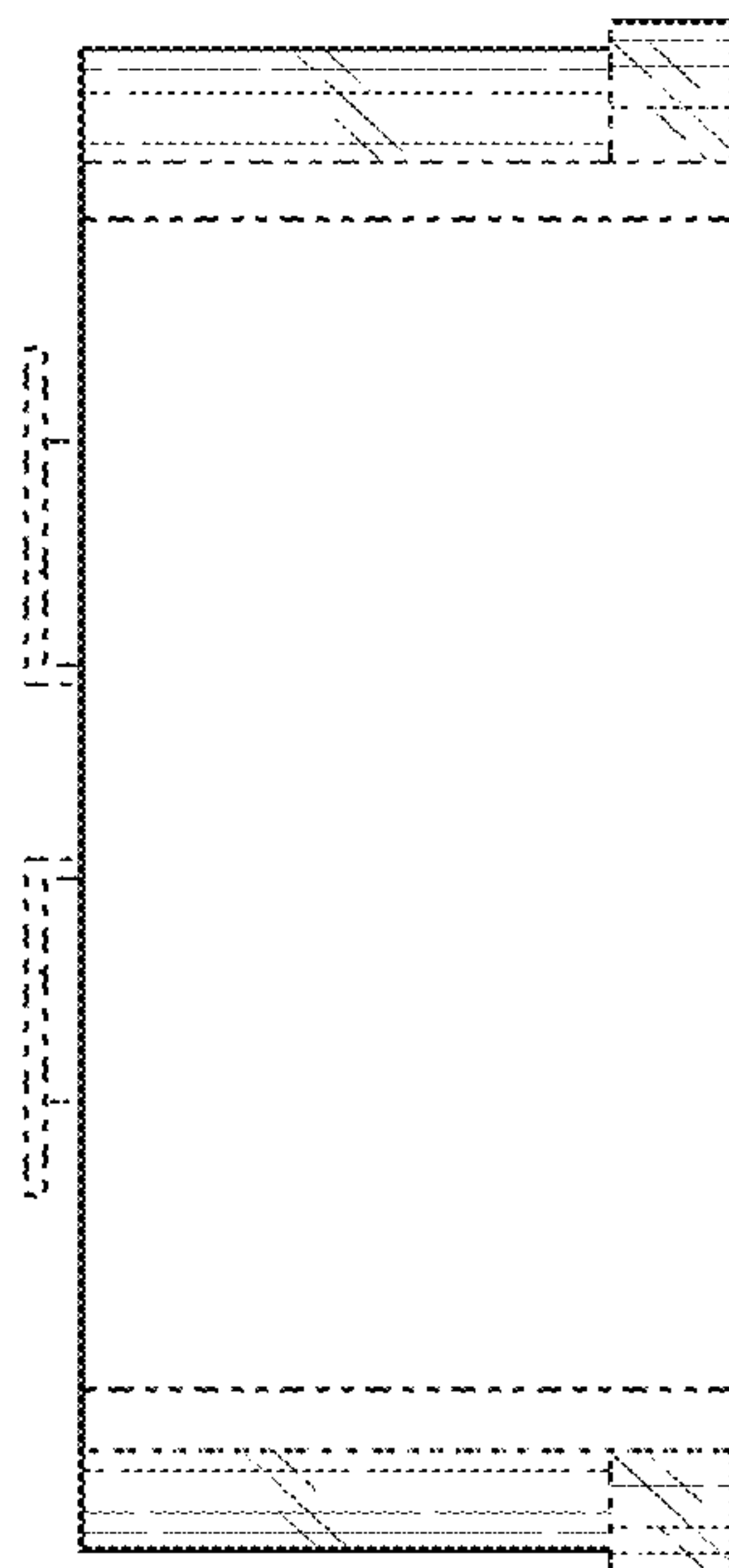


FIG. 7

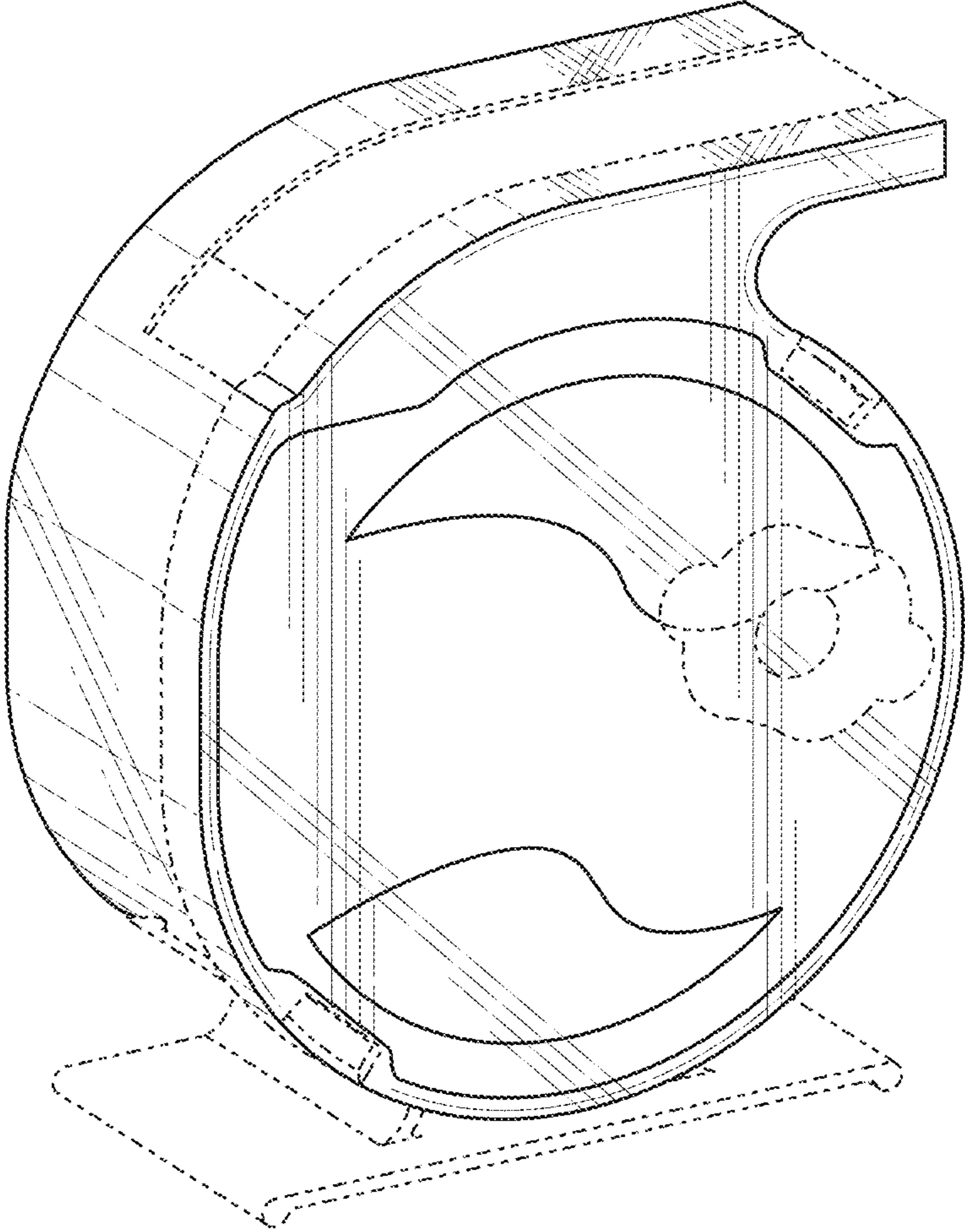


FIG. 8

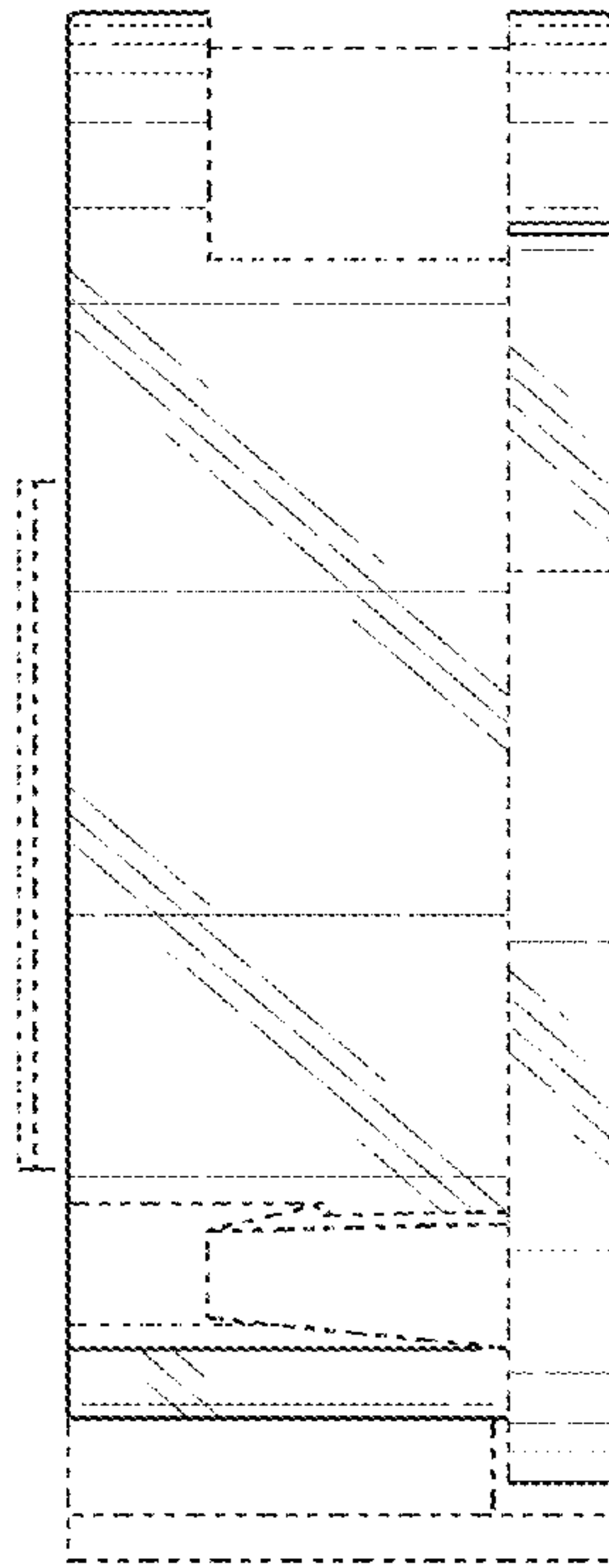


FIG. 9

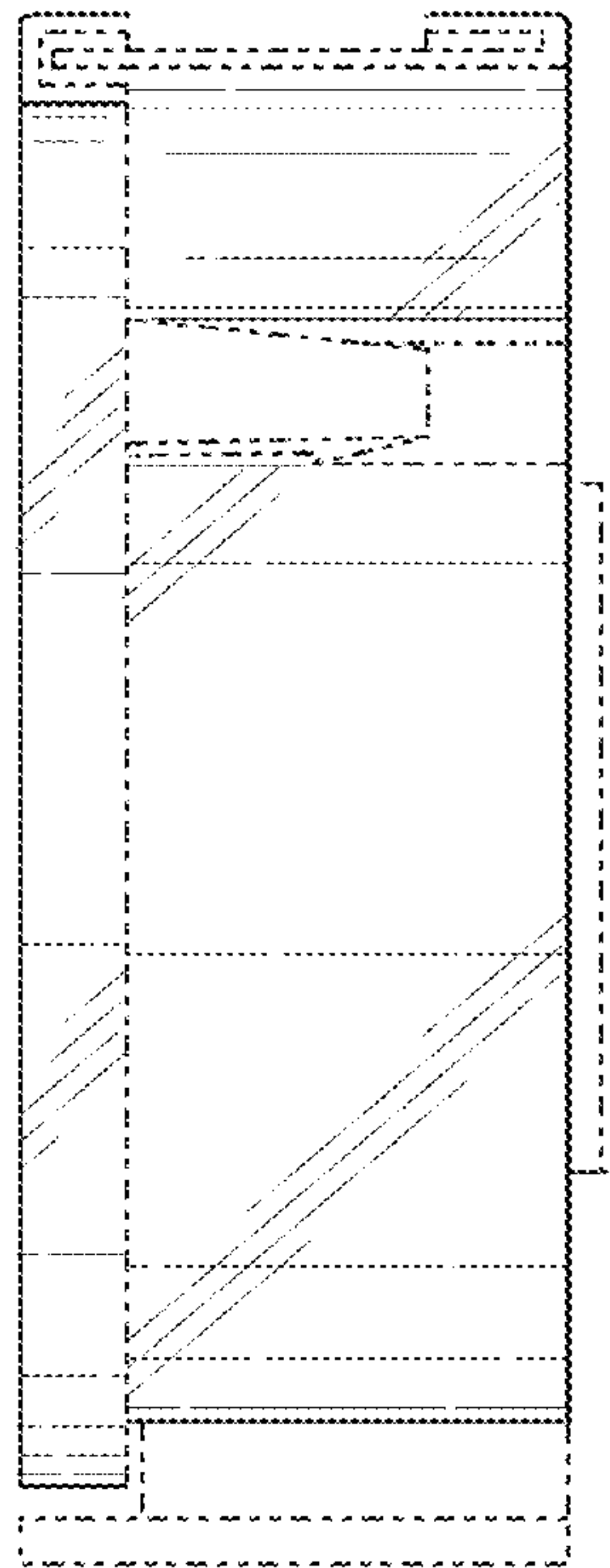


FIG. 10

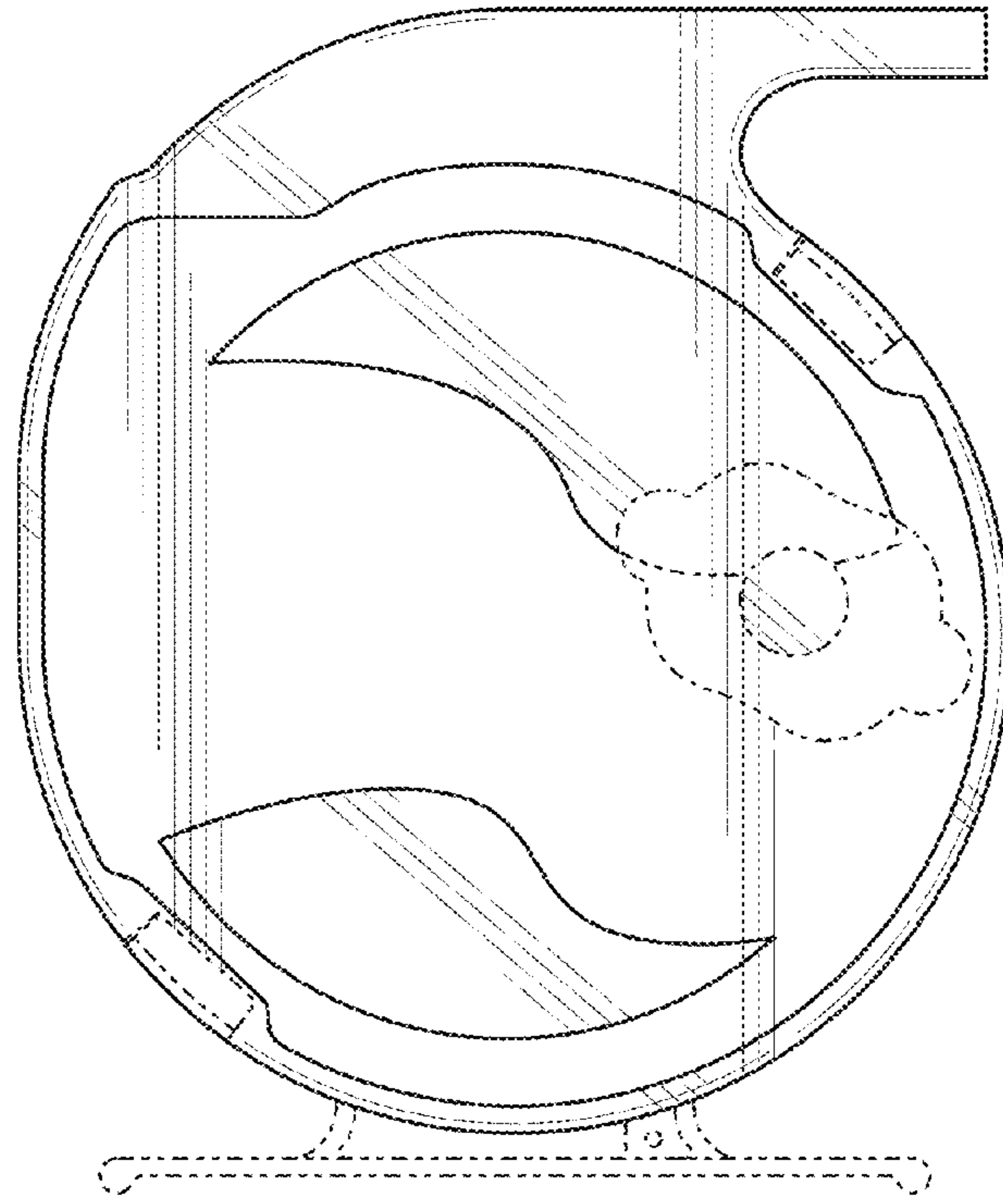


FIG. 11

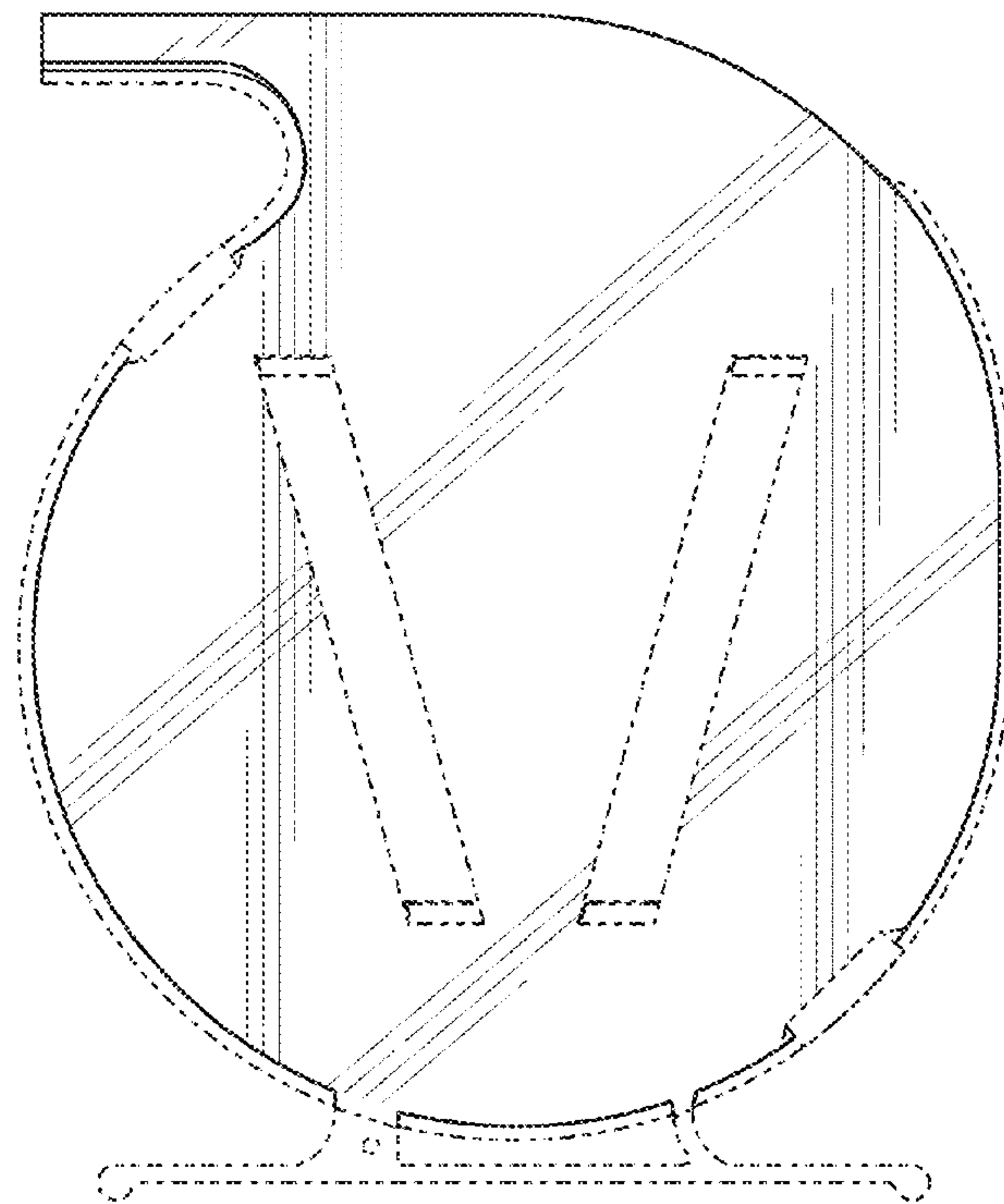


FIG. 12

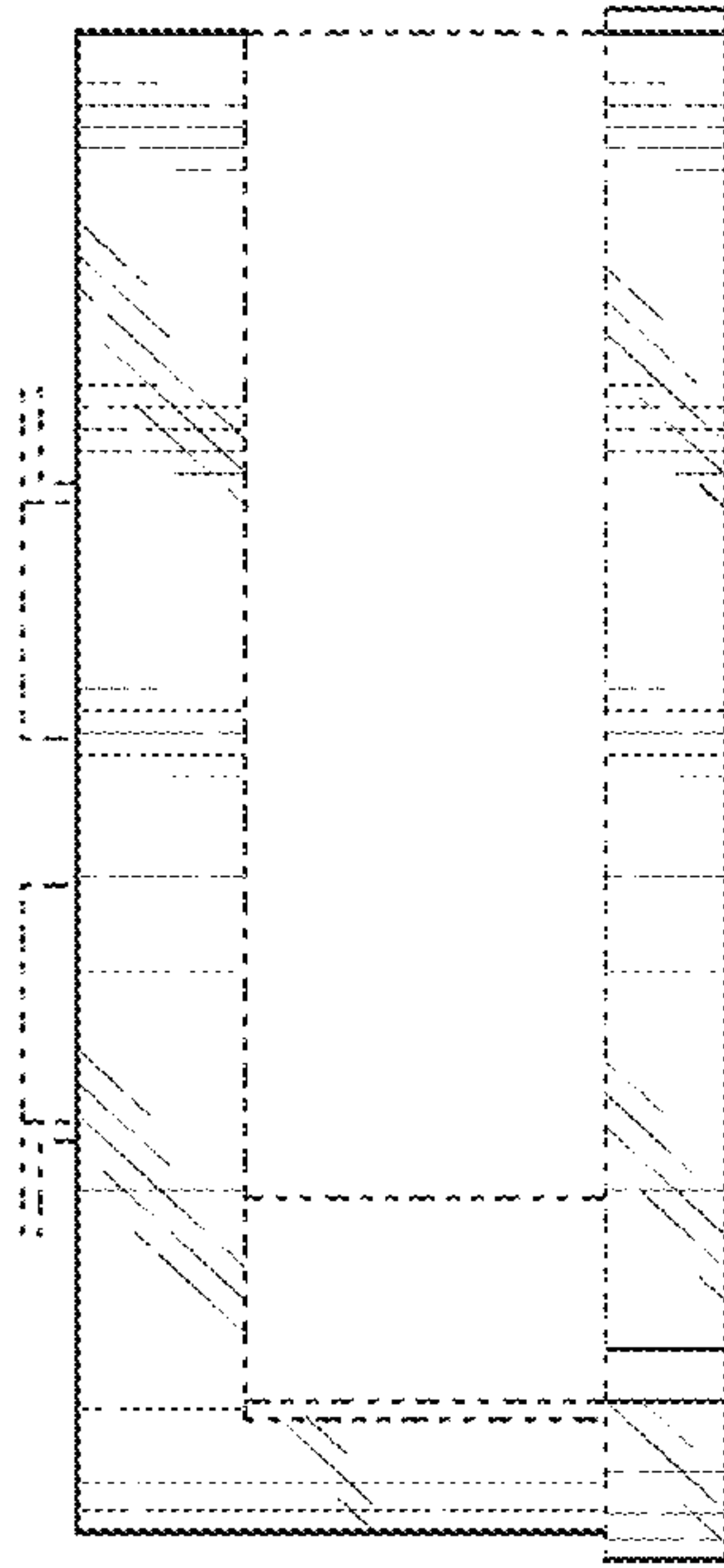


FIG. 13

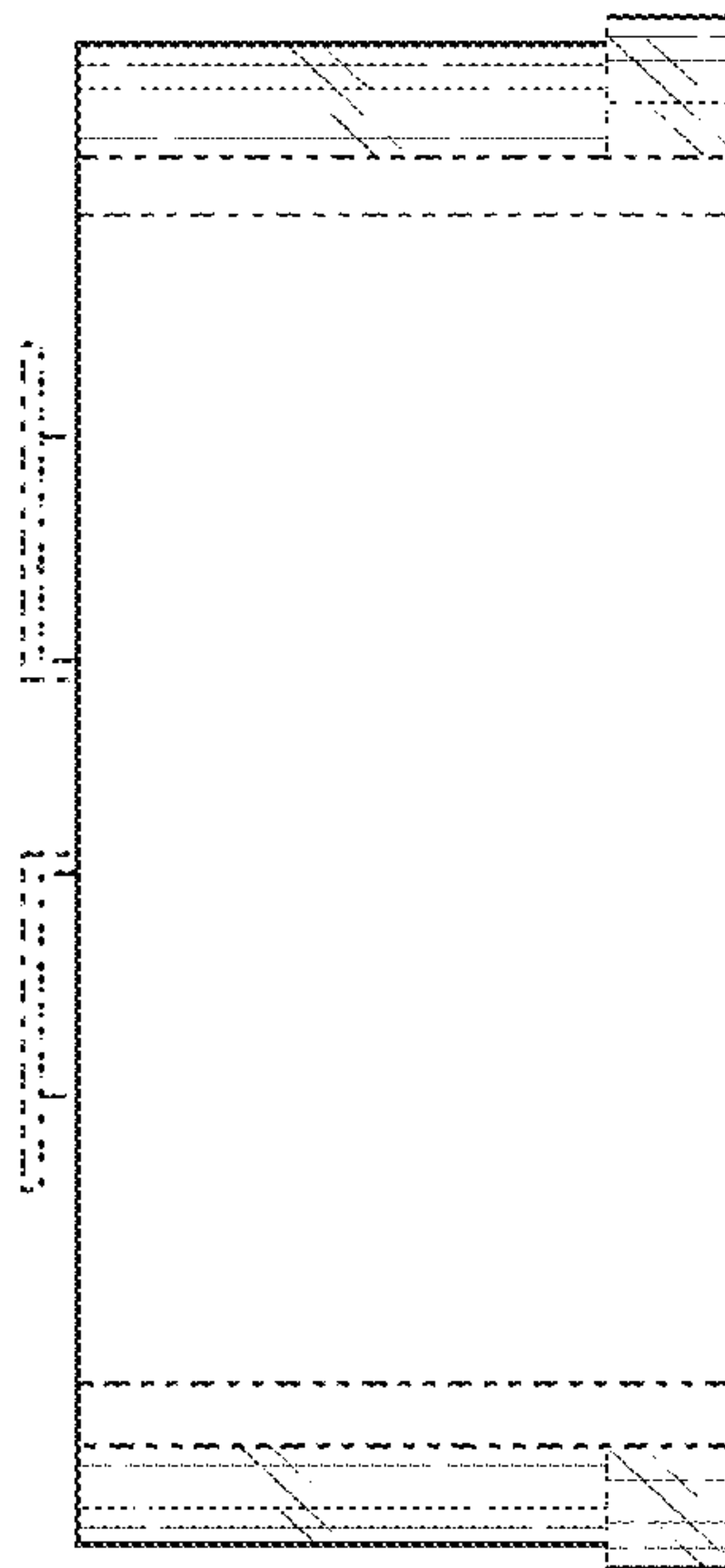


FIG. 14