



US00D730443S

(12) **United States Design Patent**
Lau

(10) **Patent No.:** **US D730,443 S**

(45) **Date of Patent:** **** May 26, 2015**

(54) **CLIP**

(71) Applicant: **Janet K. Lau**, Union City, CA (US)

(72) Inventor: **Janet K. Lau**, Union City, CA (US)

(**) Term: **14 Years**

(21) Appl. No.: **29/490,107**

(22) Filed: **May 6, 2014**

(51) **LOC (10) Cl.** **19-02**

(52) **U.S. Cl.**
USPC **D19/65**

(58) **Field of Classification Search**
USPC D8/394, 395; D19/65, 86, 99, 100;
24/67 R, 67.3, 67.5, 67.7, 67.9, 67.11,
24/546, 547, DIG. 8, DIG. 9
See application file for complete search history.

(56) **References Cited**

U.S. PATENT DOCUMENTS

3,673,641	A *	7/1972	Lorber	24/67.9
D241,342	S *	9/1976	Carroll	D19/34
D268,848	S *	5/1983	Lorber	D19/99
D305,036	S *	12/1989	Voetsch	D19/34
4,914,791	A *	4/1990	Lorber	24/67.9

D309,473	S *	7/1990	Toy	D19/34
D344,545	S *	2/1994	Tsai	D19/65
D356,116	S *	3/1995	Lorber	D19/65
D465,525	S *	11/2002	Dilday	D19/65
D468,357	S *	1/2003	Rosen	D19/65
D479,558	S *	9/2003	Lorber	D19/65
6,973,700	B2 *	12/2005	Hsiao	24/67.9
D548,793	S *	8/2007	Oas et al.	D19/65
D551,297	S *	9/2007	Gram	D19/65
2003/0101545	A1 *	6/2003	Hsiao	24/67.9
2004/0045137	A1 *	3/2004	Hsiao	24/67.9

* cited by examiner

Primary Examiner — Elizabeth Albert

(74) *Attorney, Agent, or Firm* — Aka Chan LLP

(57) **CLAIM**

The ornamental design for a clip, as shown and described.

DESCRIPTION

FIG. 1 shows a perspective view of a design of a clip.

FIG. 2 shows a front view of FIG. 1.

FIG. 3 shows a back view of FIG. 1.

FIG. 4 shows a top view of FIG. 1.

FIG. 5 shows a left-side view of FIG. 1.

FIG. 6 shows a right-side view of FIG. 1; and,

FIG. 7 shows a bottom view of FIG. 1.

1 Claim, 1 Drawing Sheet

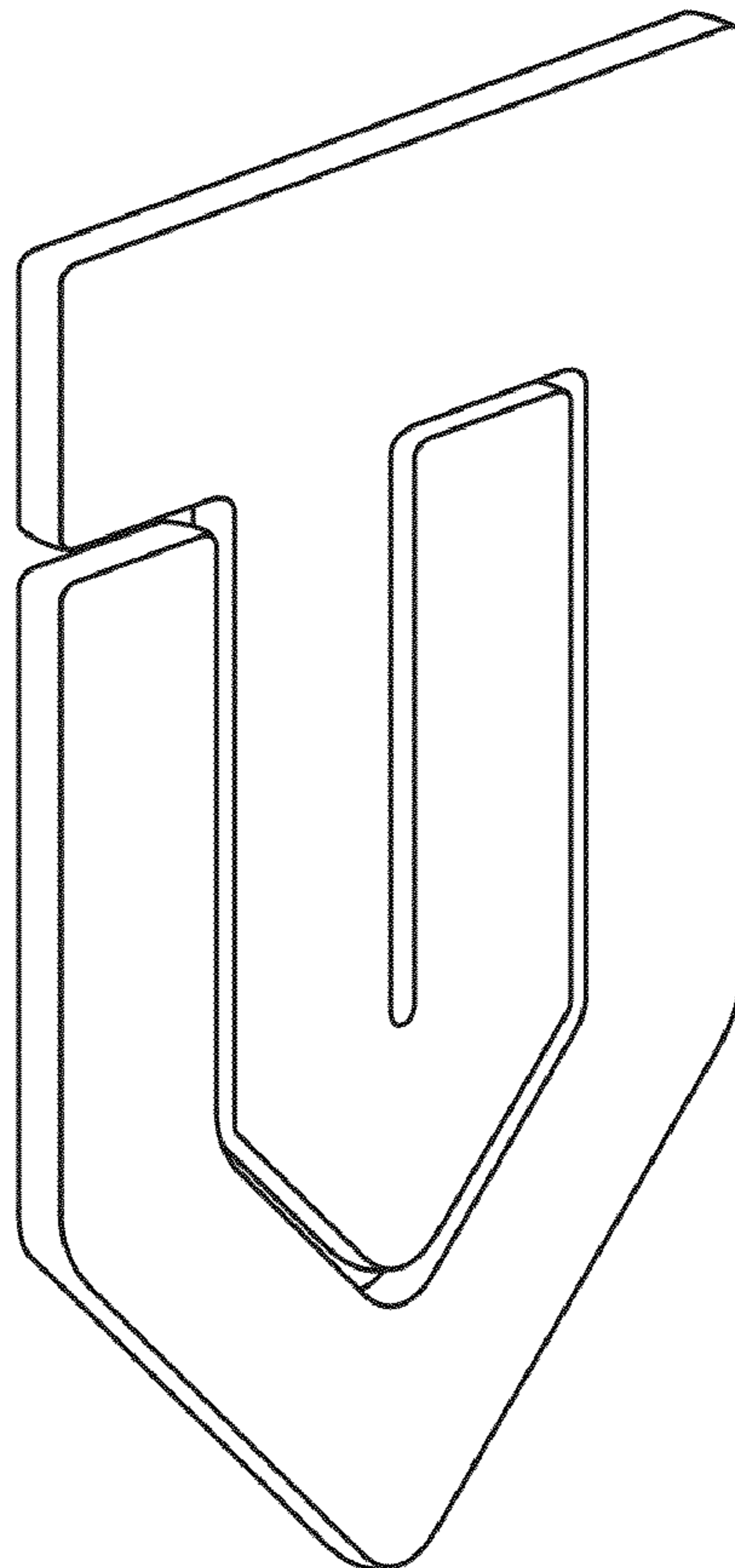


FIG. 1

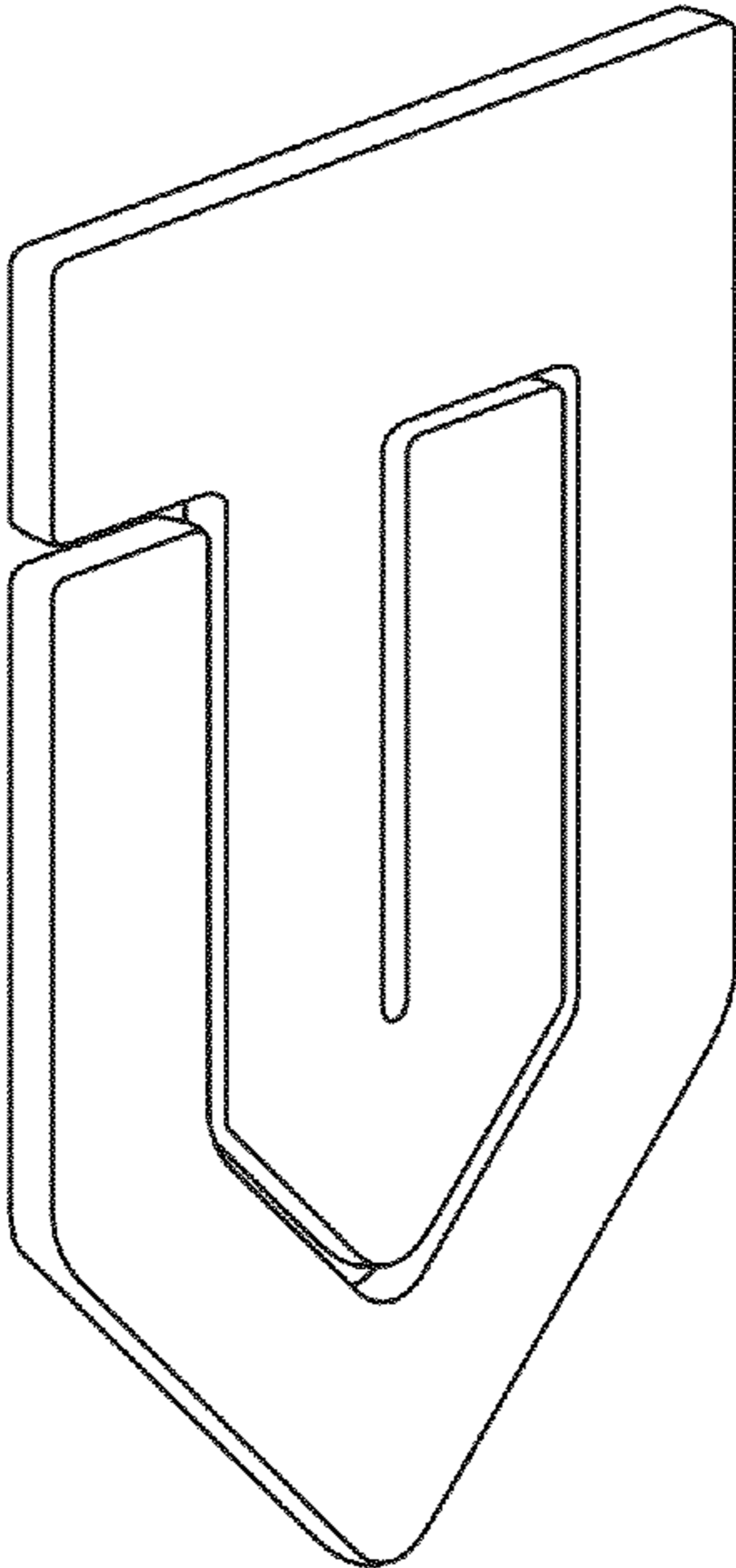


FIG. 2

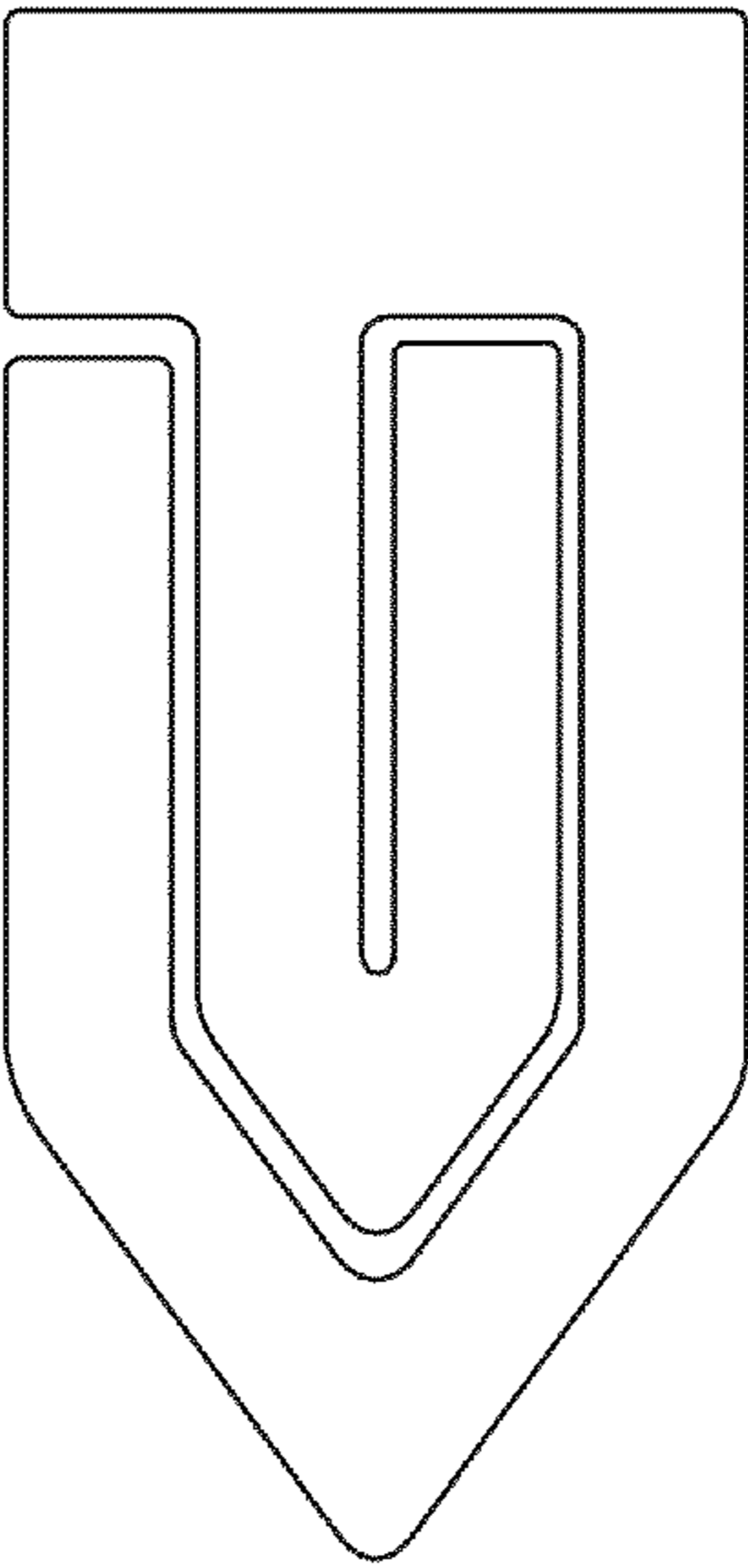


FIG. 3

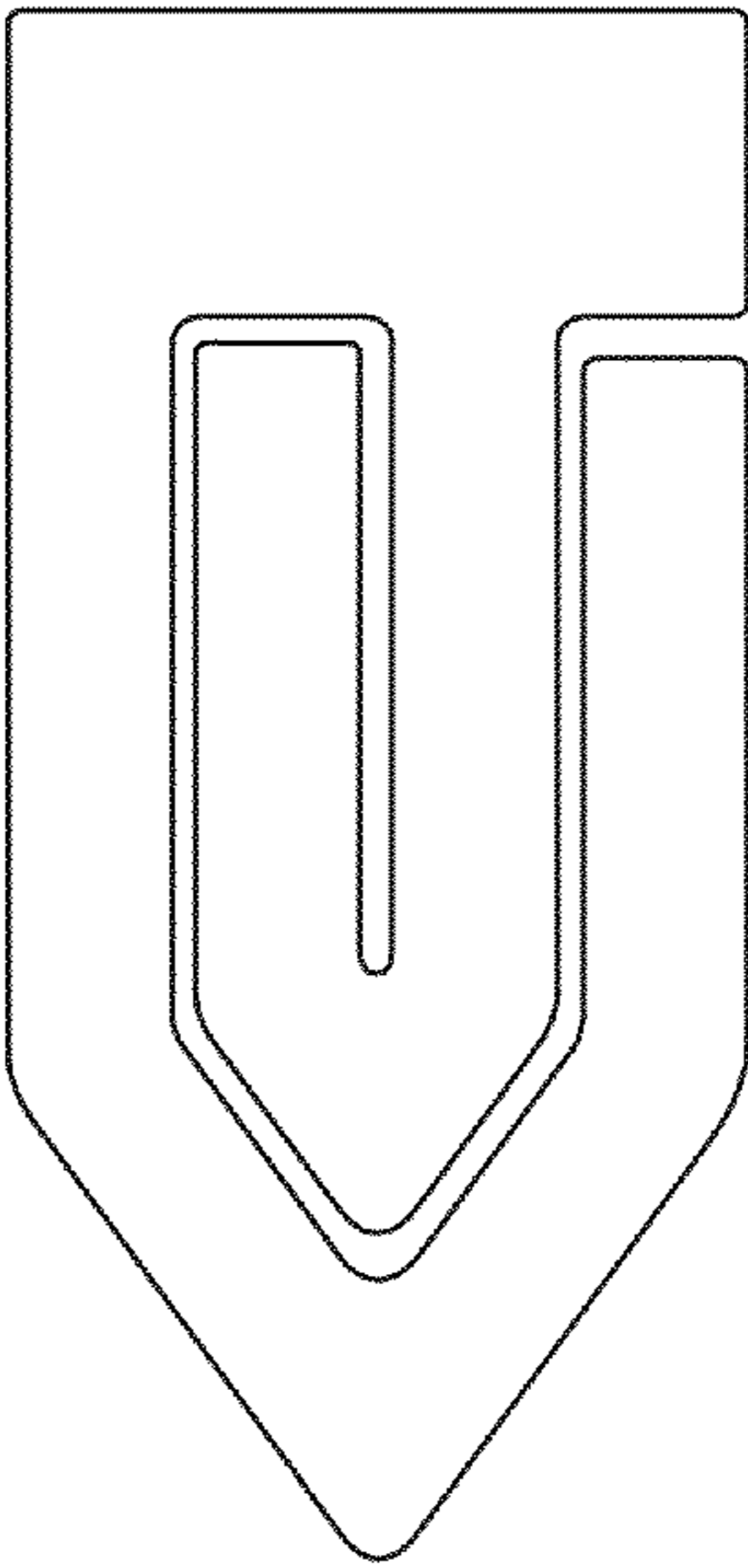


FIG. 5 FIG. 6



FIG. 4

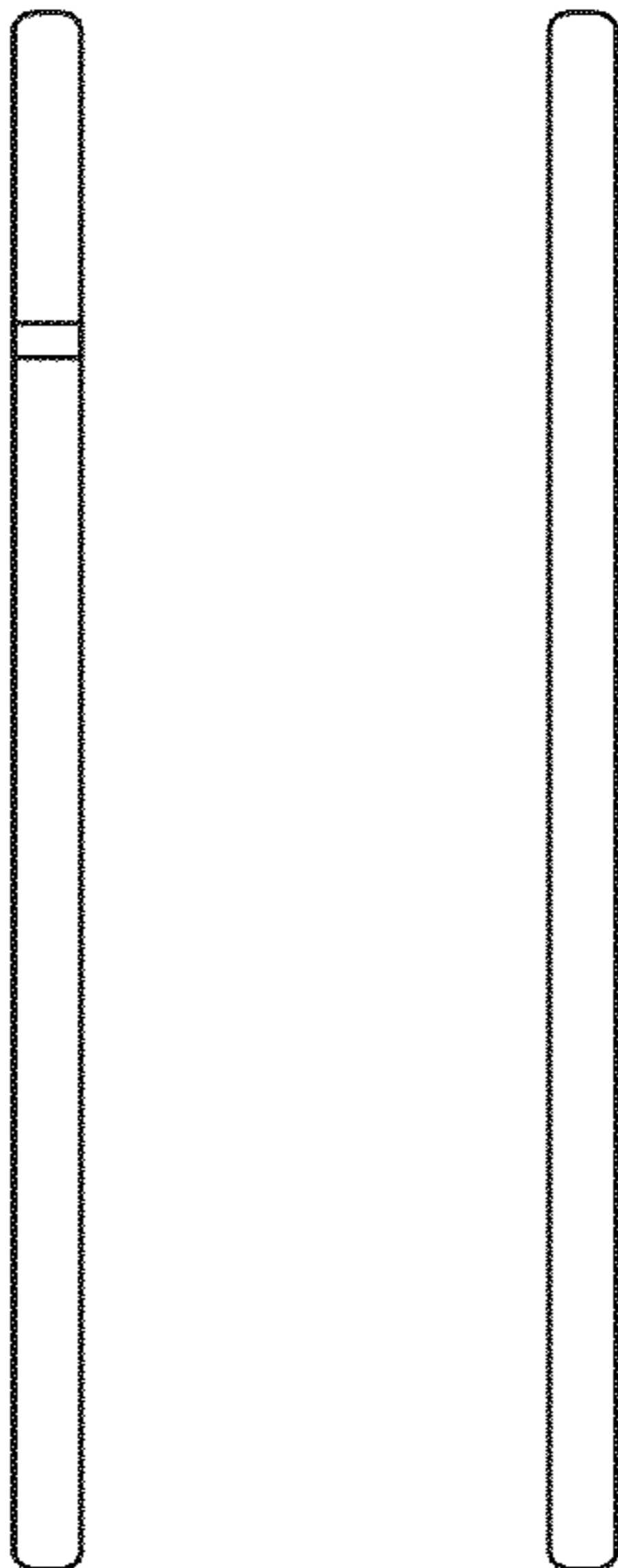


FIG. 7