



US00D730442S

(12) **United States Design Patent**  
**Billon**

(10) **Patent No.:** **US D730,442 S**

(45) **Date of Patent:** **\*\* May 26, 2015**

(54) **CLIP**

(71) Applicant: **Philippe T. Billon**, Oyonnax (FR)

(72) Inventor: **Philippe T. Billon**, Oyonnax (FR)

(\*\*) Term: **14 Years**

(21) Appl. No.: **29/490,106**

(22) Filed: **May 6, 2014**

(51) **LOC (10) Cl.** ..... **19-02**

(52) **U.S. Cl.**  
USPC ..... **D19/65**

(58) **Field of Classification Search**  
USPC ..... D8/394, 395; D19/65, 86, 99, 100;  
24/67 R, 67.3, 67.5, 67.7, 67.9, 67.11,  
24/546, 547, DIG. 8, DIG. 9

See application file for complete search history.

(56) **References Cited**

**U.S. PATENT DOCUMENTS**

3,673,641	A	*	7/1972	Lorber	.....	24/67.9
D241,342	S	*	9/1976	Carroll	.....	D19/34
D268,848	S	*	5/1983	Lorber	.....	D19/99
D305,036	S	*	12/1989	Voetsch	.....	D19/34
4,914,791	A	*	4/1990	Lorber	.....	24/67.9

D309,473	S	*	7/1990	Toy	.....	D19/34
D344,545	S	*	2/1994	Tsai	.....	D19/65
D356,116	S	*	3/1995	Lorber	.....	D19/65
D465,525	S	*	11/2002	Dilday	.....	D19/65
D468,357	S	*	1/2003	Rosen	.....	D19/65
D479,558	S	*	9/2003	Lorber	.....	D19/65
6,973,700	B2	*	12/2005	Hsiao	.....	24/67.9
D548,793	S	*	8/2007	Oas	.....	D19/65
D551,297	S	*	9/2007	Gram	.....	D19/65
2003/0101545	A1	*	6/2003	Hsiao	.....	24/67.9
2004/0045137	A1	*	3/2004	Hsiao	.....	24/67.9

\* cited by examiner

*Primary Examiner* — Elizabeth Albert

(74) *Attorney, Agent, or Firm* — Aka Chan LLP

(57) **CLAIM**

The ornamental design for a clip, as shown and described.

**DESCRIPTION**

- FIG. 1 shows a perspective view of a design of a clip.  
 FIG. 2 shows a front view of the design.  
 FIG. 3 shows a back view of the design.  
 FIG. 4 shows a top view of the design.  
 FIG. 5 shows a left-side view of the design.  
 FIG. 6 shows a right-side view of the design; and,  
 FIG. 7 shows a bottom view of the design.

**1 Claim, 2 Drawing Sheets**

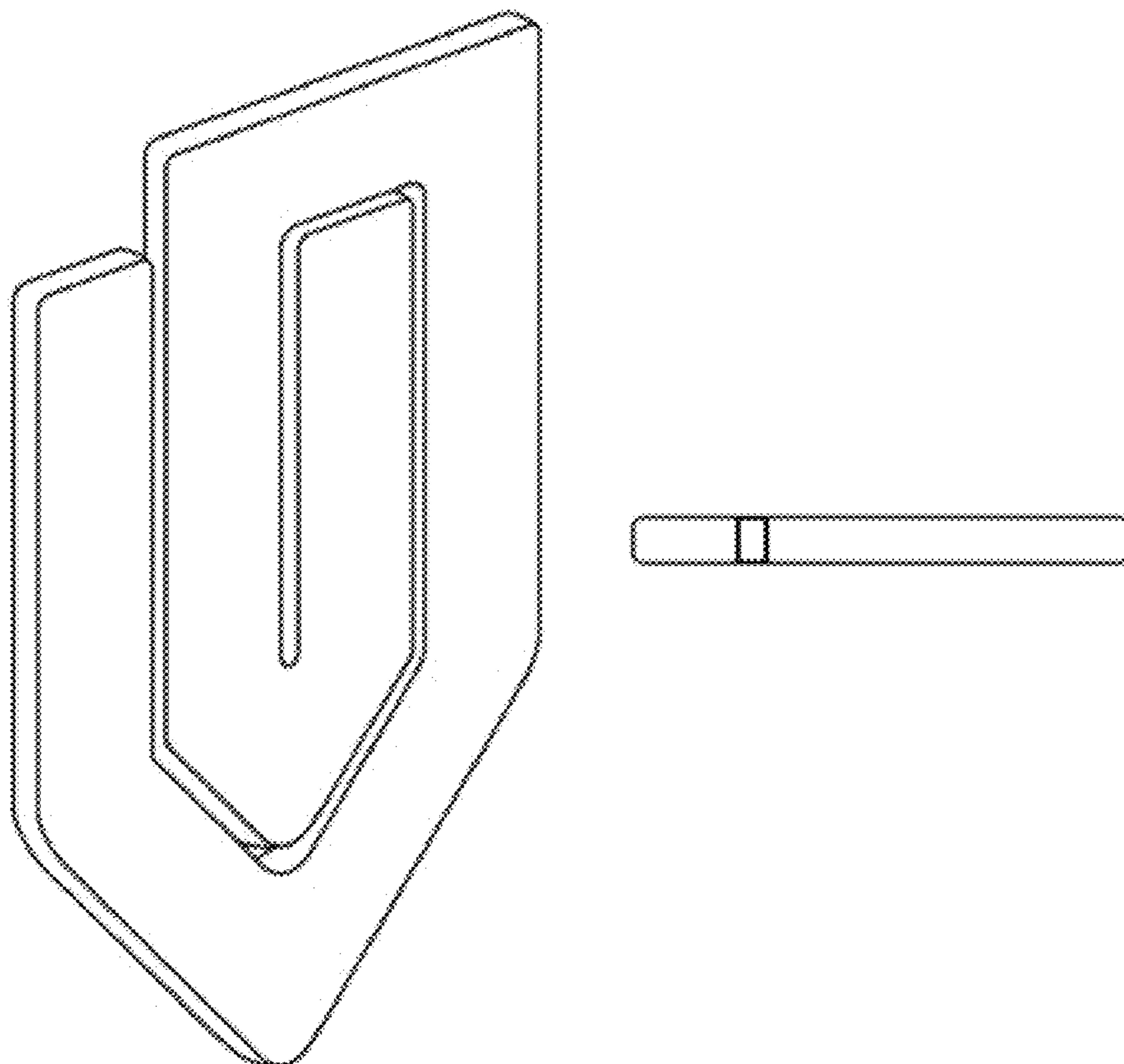


FIG. 1

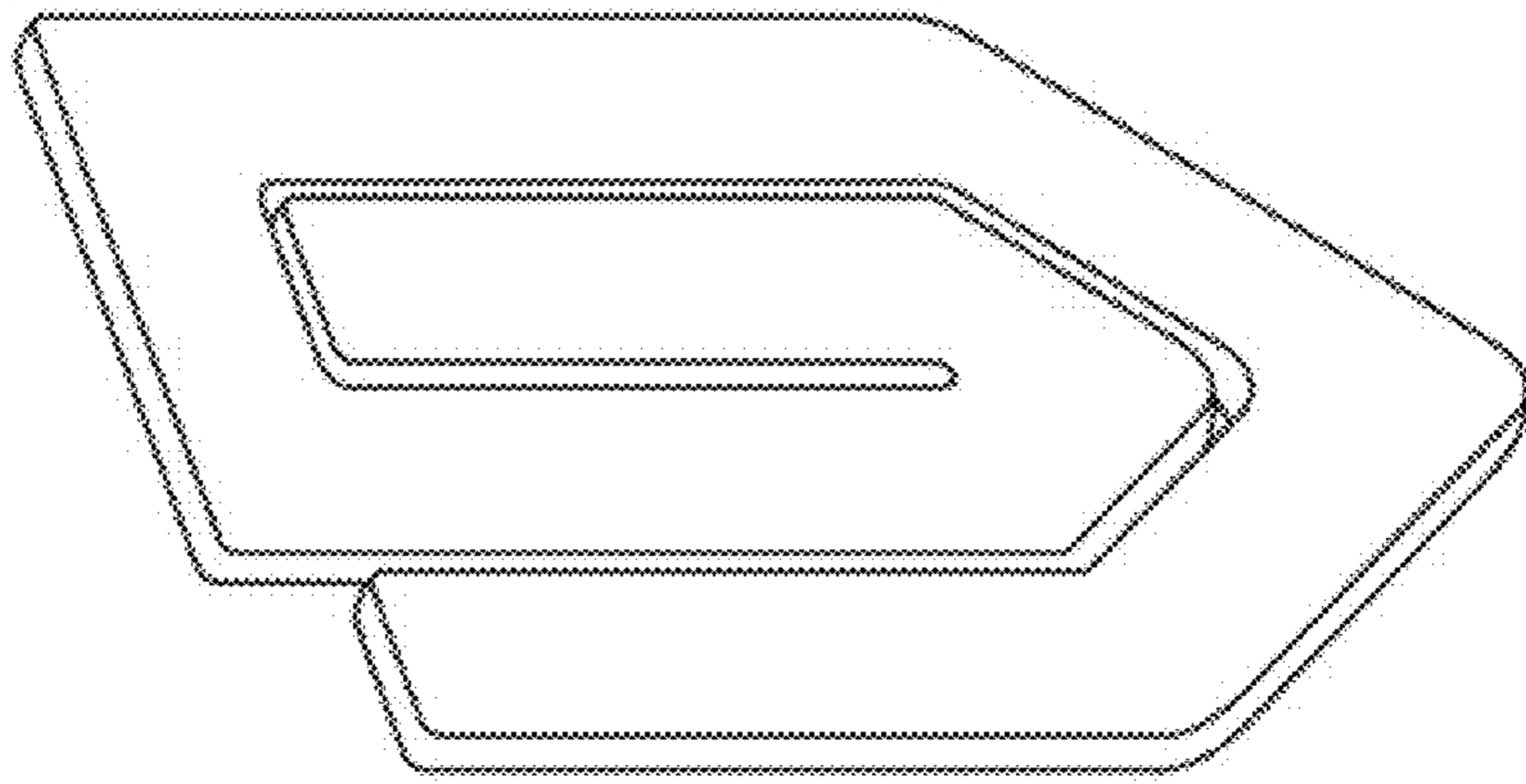


FIG. 2

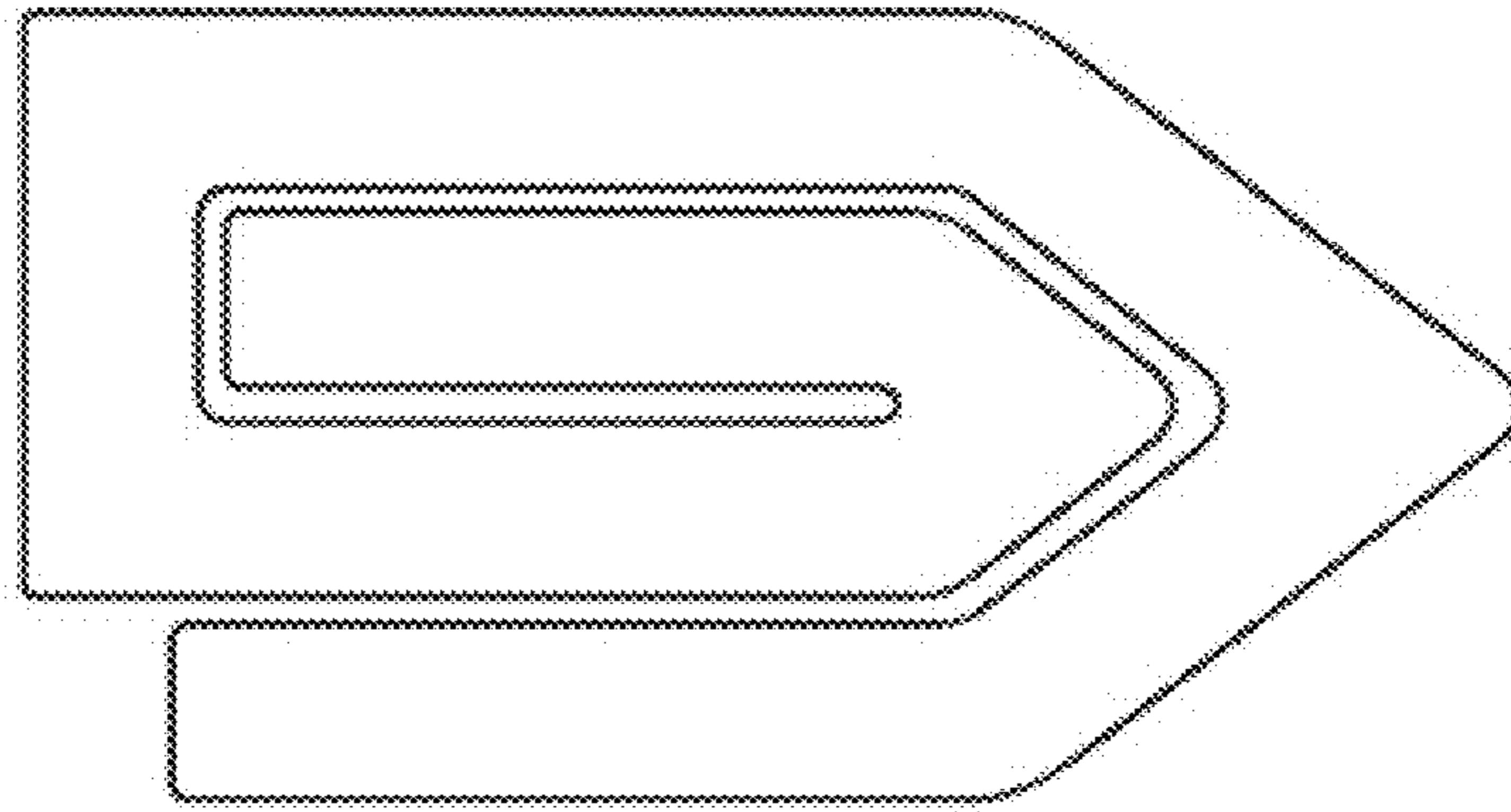


FIG. 3

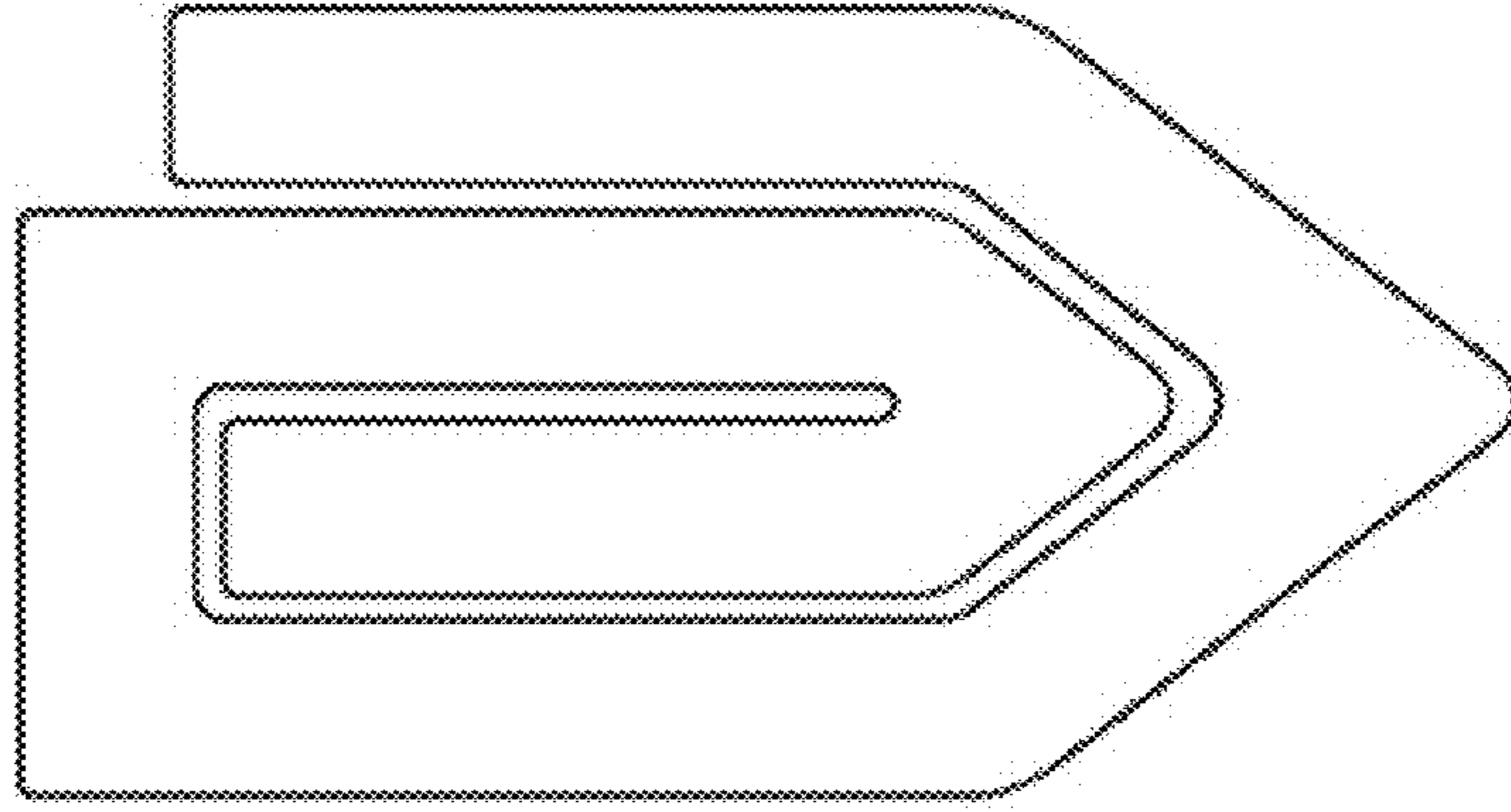


FIG. 5 FIG. 6

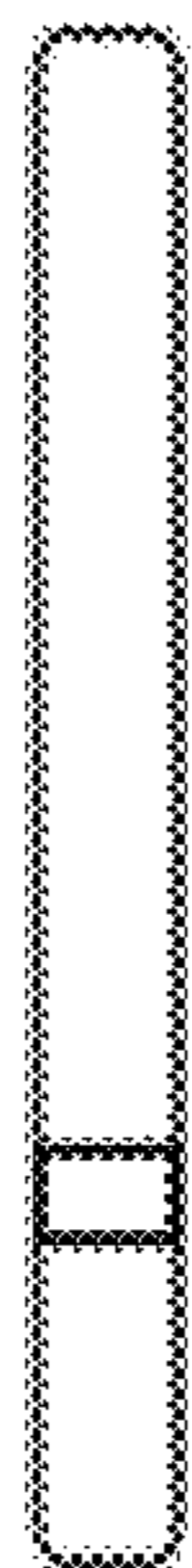
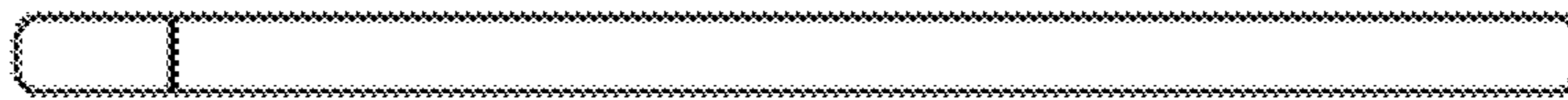


FIG. 4



FIG. 7