



US00D730435S

(12) **United States Design Patent**
Turner

(10) **Patent No.:** **US D730,435 S**

(45) **Date of Patent:** **** May 26, 2015**

(54) **FINE TUNER**

(71) Applicant: **Bling Tuners, LLC**, Ann Arbor, MI (US)

(72) Inventor: **Delia Turner**, Ann Arbor, MI (US)

(73) Assignee: **Bling Tuners, LLC**, Ann Arbor, MI (US)

(**) Term: **14 Years**

(21) Appl. No.: **29/486,243**

(22) Filed: **Mar. 27, 2014**

(51) **LOC (10) Cl.** **17-03**

(52) **U.S. Cl.**
USPC **D17/20**

(58) **Field of Classification Search**
USPC D17/20, 21, 99; 84/297 R, 297 S, 306,
84/312, 454, 455
See application file for complete search history.

(56) **References Cited**

U.S. PATENT DOCUMENTS

| | | | | |
|--------------|------|---------|------------------|----------|
| 3,667,336 | A | 6/1972 | Itzler et al. | |
| 4,026,182 | A | 5/1977 | Gilbrech | |
| D287,137 | S * | 12/1986 | Bushman | D17/20 |
| 4,643,069 | A | 2/1987 | Borisoff et al. | |
| D355,668 | S * | 2/1995 | Reagan | D17/21 |
| D365,118 | S * | 12/1995 | Kyser | D17/20 |
| 6,175,066 | B1 | 1/2001 | McCabe | |
| 7,968,778 | B2 * | 6/2011 | D'Addario et al. | 84/312 R |
| D673,209 | S * | 12/2012 | Reboul | D17/20 |
| D717,367 | S * | 11/2014 | Kyser | D17/20 |
| 2007/0095194 | A1 | 5/2007 | Moerth | |
| 2011/0162507 | A1 | 7/2011 | Lauffer | |

FOREIGN PATENT DOCUMENTS

EP 1629462 B1 9/2007

OTHER PUBLICATIONS

Victoria och George. <https://duoimalmo.wordpress.com/tag/katherine-fong/>. Dec. 2013. "Swarovski Crystal, Gold Plated Violin Fine Tuner".*

Fiddlershop. <http://fiddlershop.com/hill-violin-string-adjuster-1-prong.html>. Copyright 2012. "http://fiddlershop.com/hill-violin-string-adjuster-1-prong.html".*

A. Cavallo Violins. http://www.acavalloviolins.com/shop/fittings/fine_tuners/. Apr. 2012. "Wittner Stable Viola Fine Tuner—Black".* Luxitune website, <http://www.luxitune.com/collections/cello/cello-pave-series/>, Collections tab, Pave Series, printed Apr. 2, 2014.

Luxitune website, <http://www.luxitune.com/collections/violin-viola/pave-series/>, Collections tab, Pave Series, printed Apr. 2, 2014. Luxitune website, <http://www.luxitune.com/collections/violin-viola/solitaire-series/>, Collections tab, Solitaire Series, printed Apr. 2, 2014.

* cited by examiner

Primary Examiner — Rashida Johnson

(74) *Attorney, Agent, or Firm* — Brooks Kushman PC

(57) **CLAIM**

The ornamental design for a fine tuner, as shown and described.

DESCRIPTION

FIG. 1 is a front perspective view of a fine tuner showing my new design;

FIG. 2 is a front view thereof;

FIG. 3 is a rear view thereof;

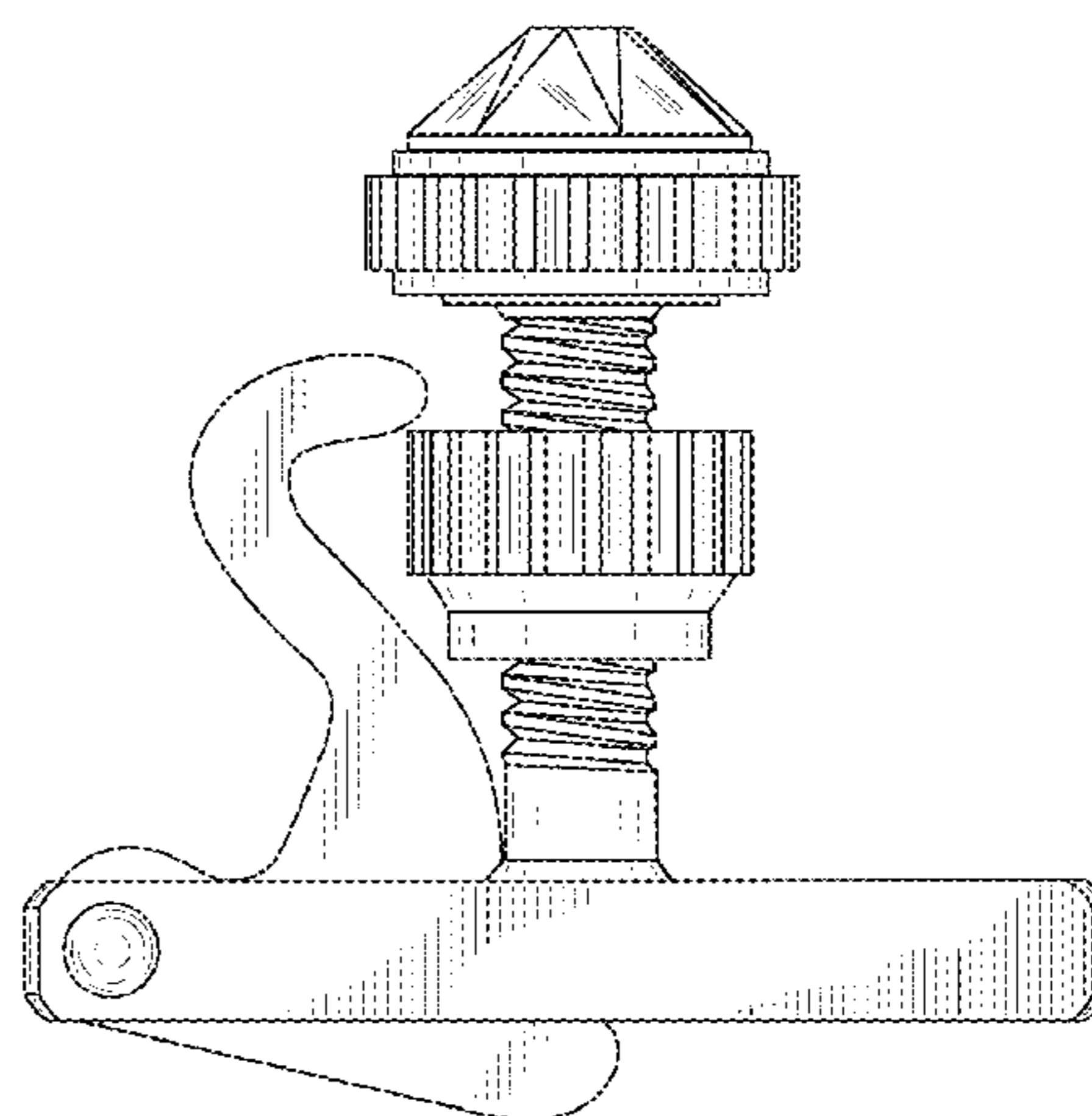
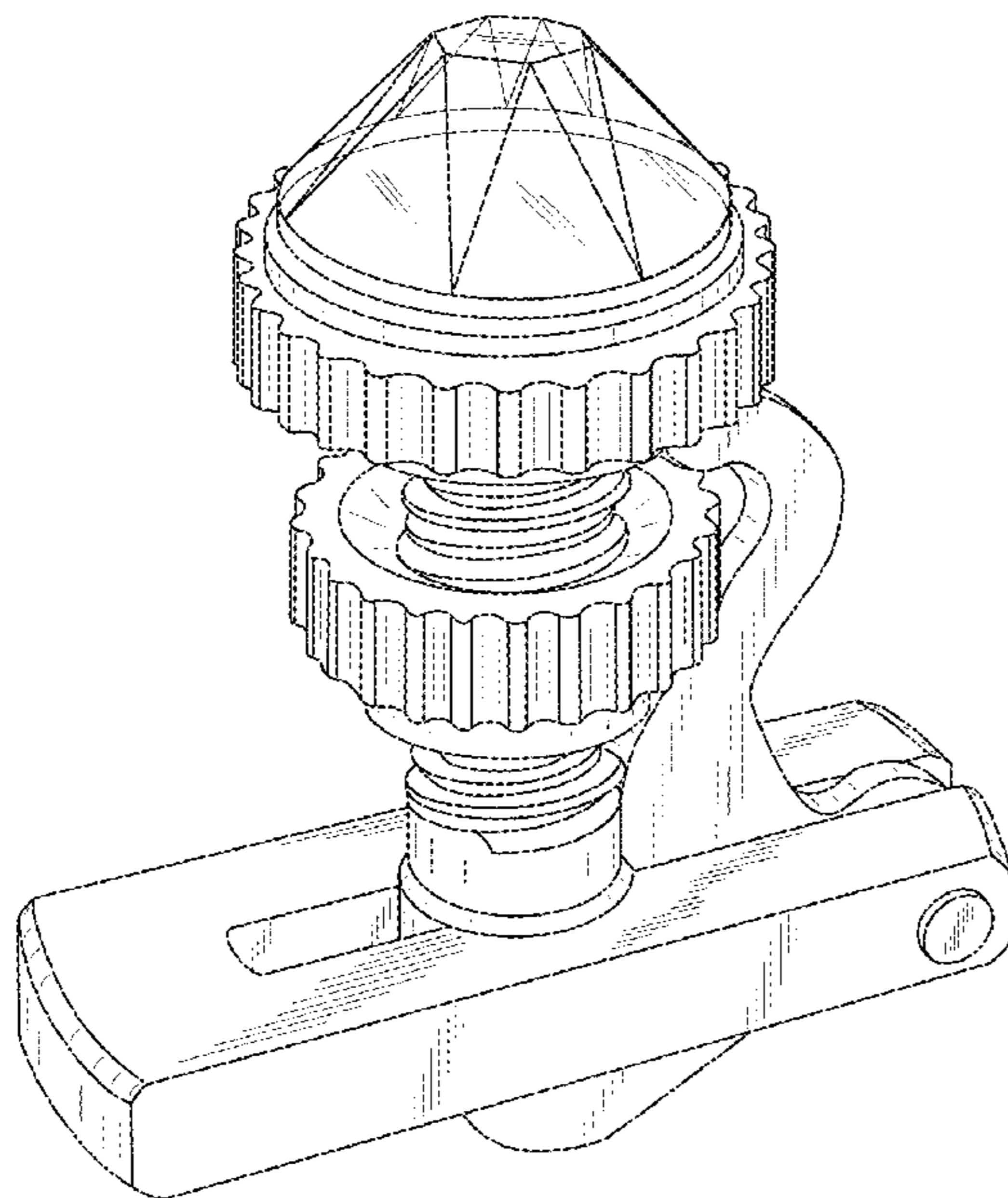
FIG. 4 is left side view thereof;

FIG. 5 is a right side view thereof;

FIG. 6 is a top view thereof; and,

FIG. 7 is a bottom view thereof.

1 Claim, 4 Drawing Sheets



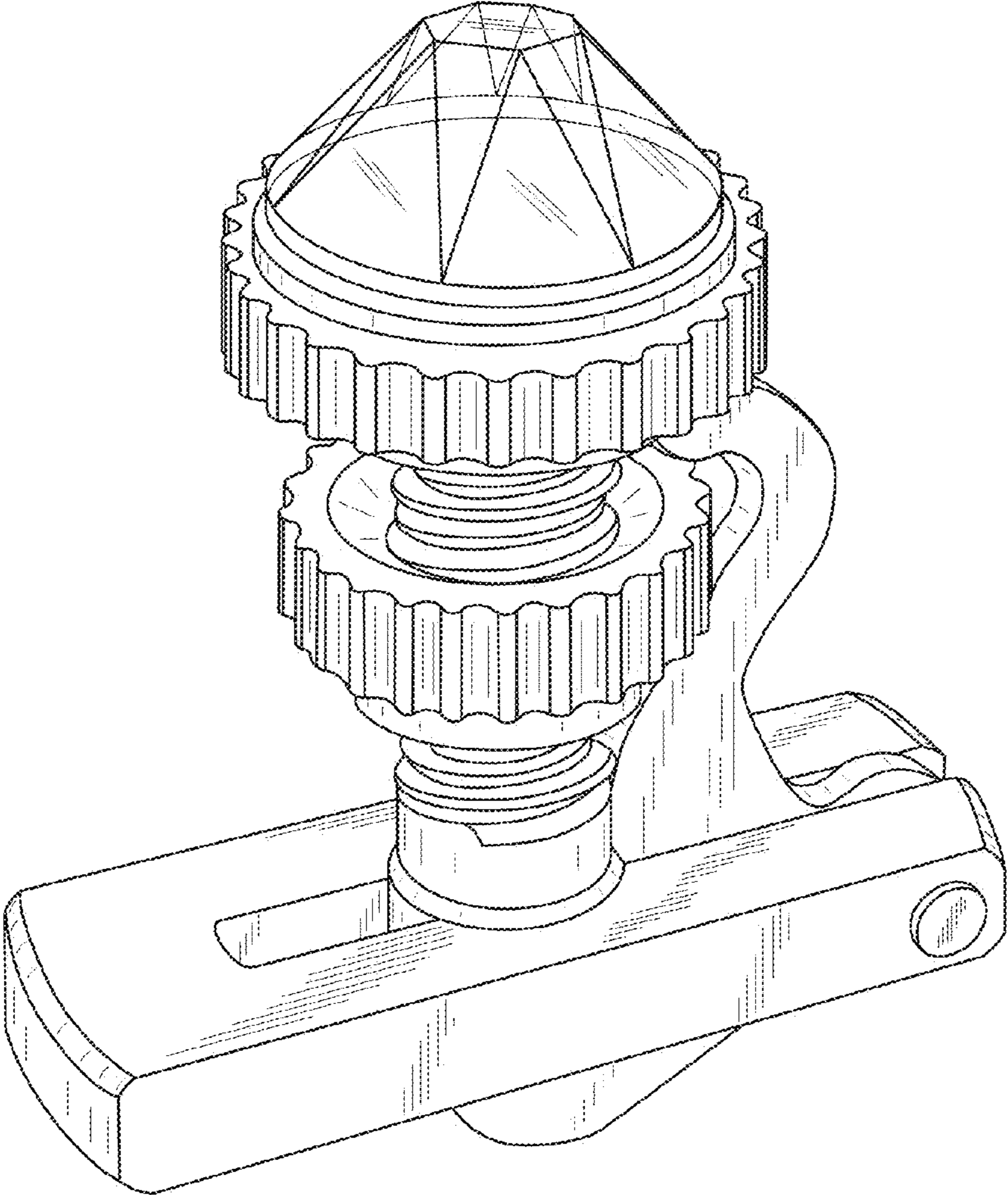


FIG. 1

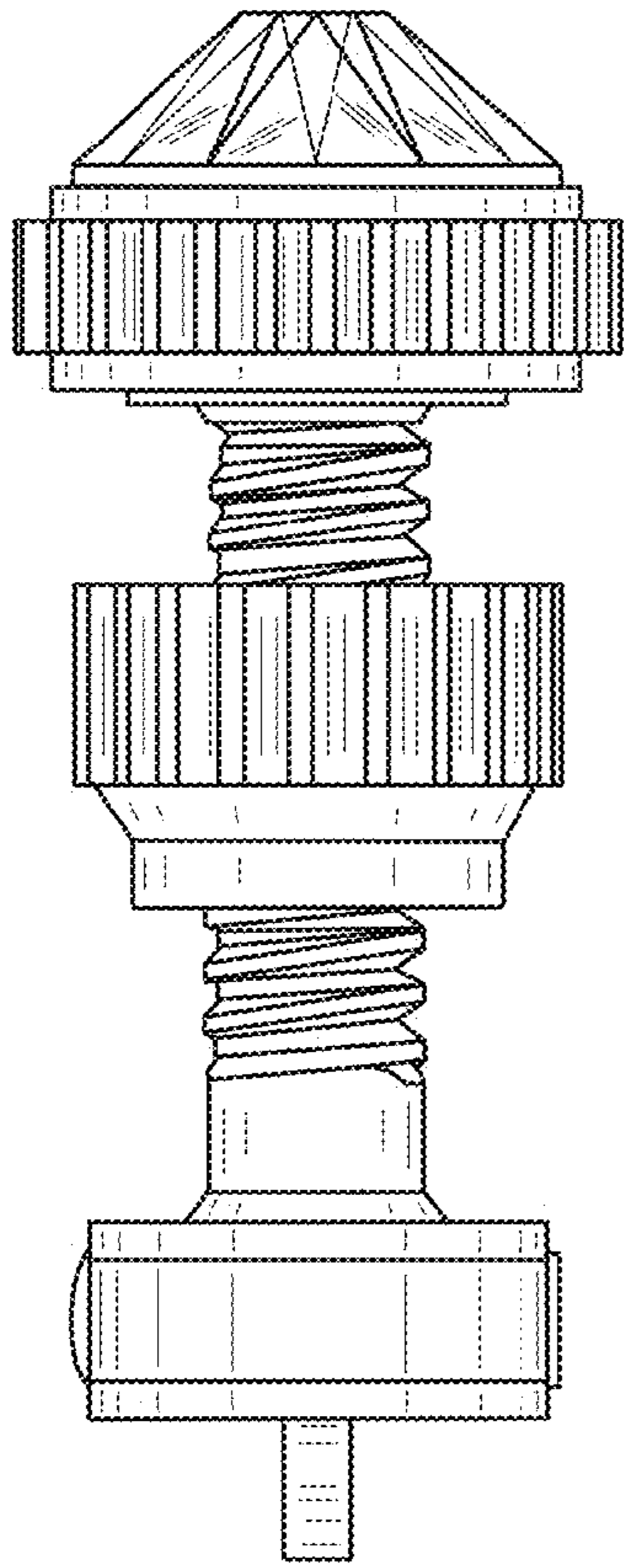


FIG. 2

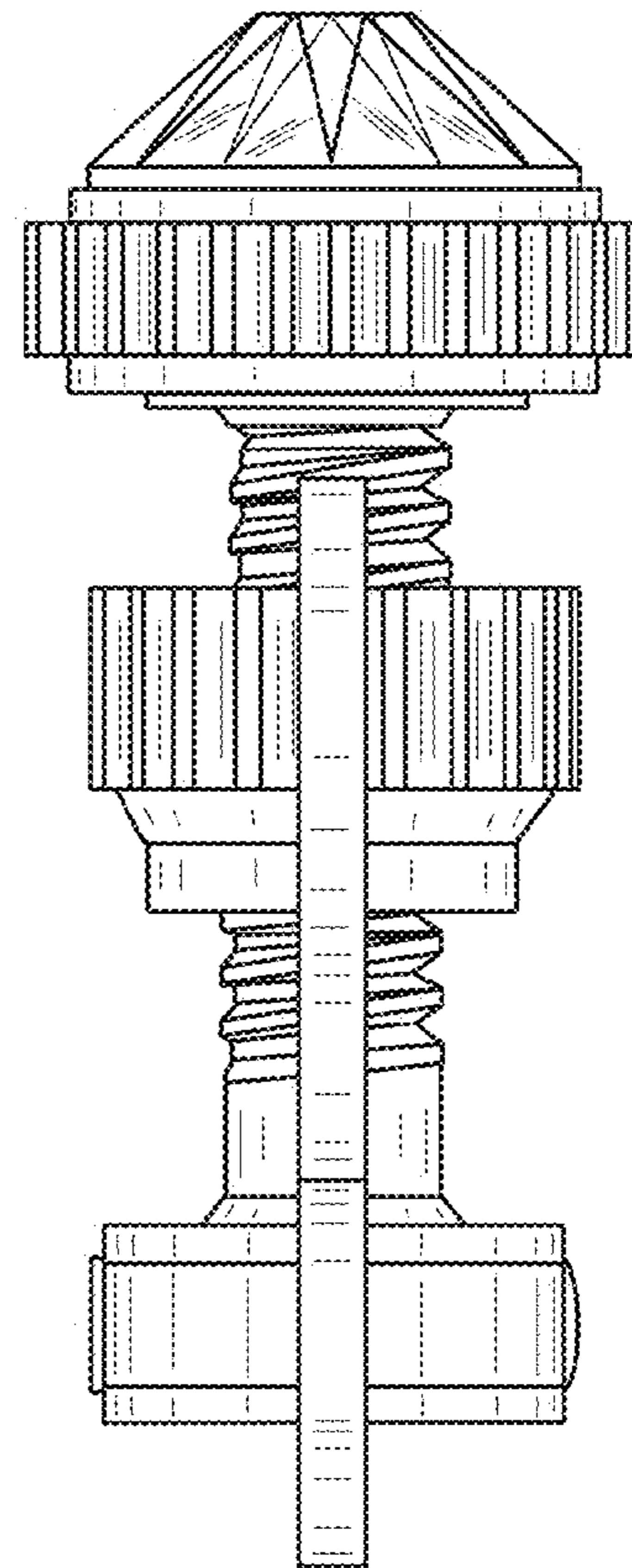


FIG. 3

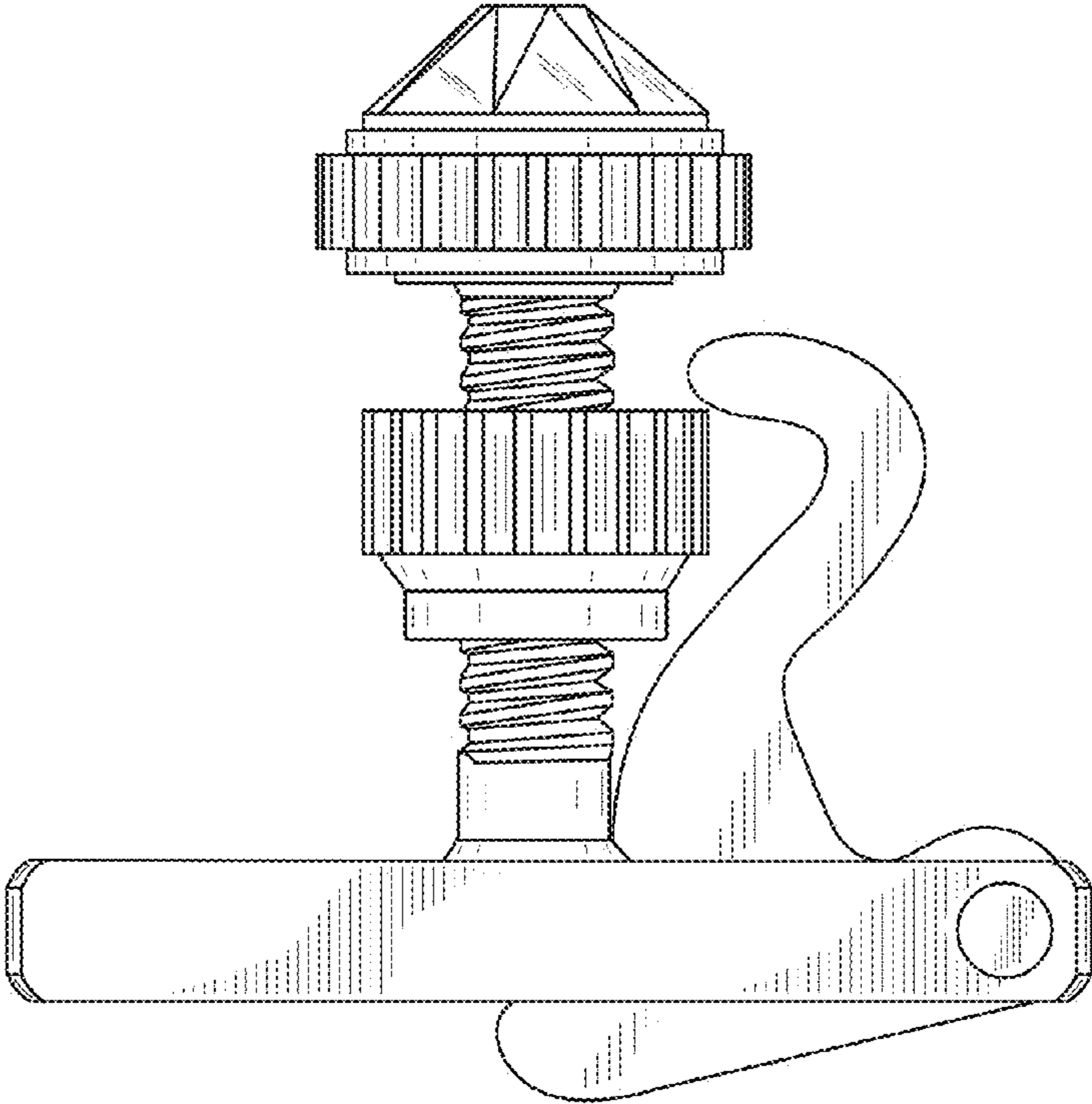


FIG. 4

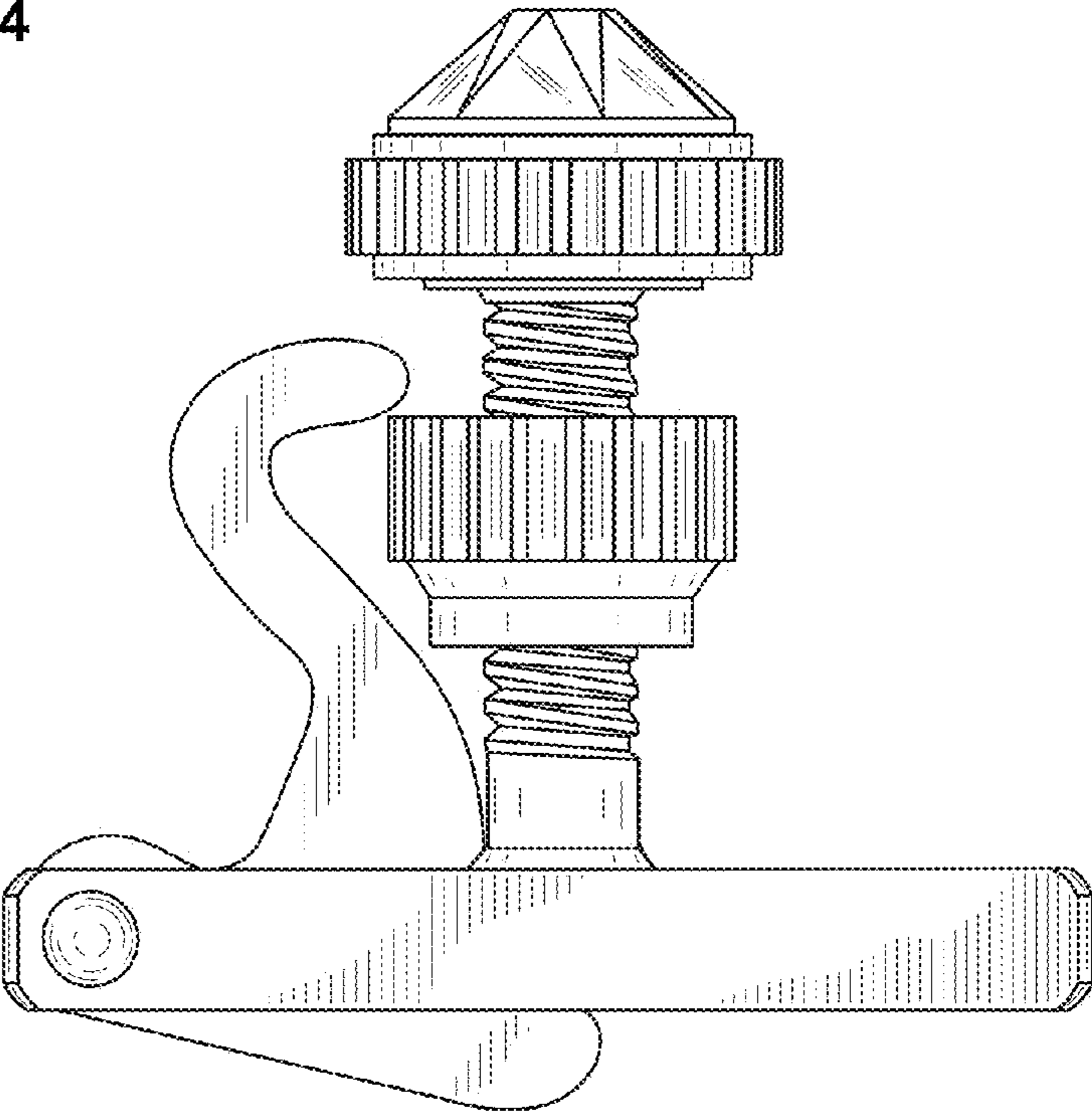


FIG. 5

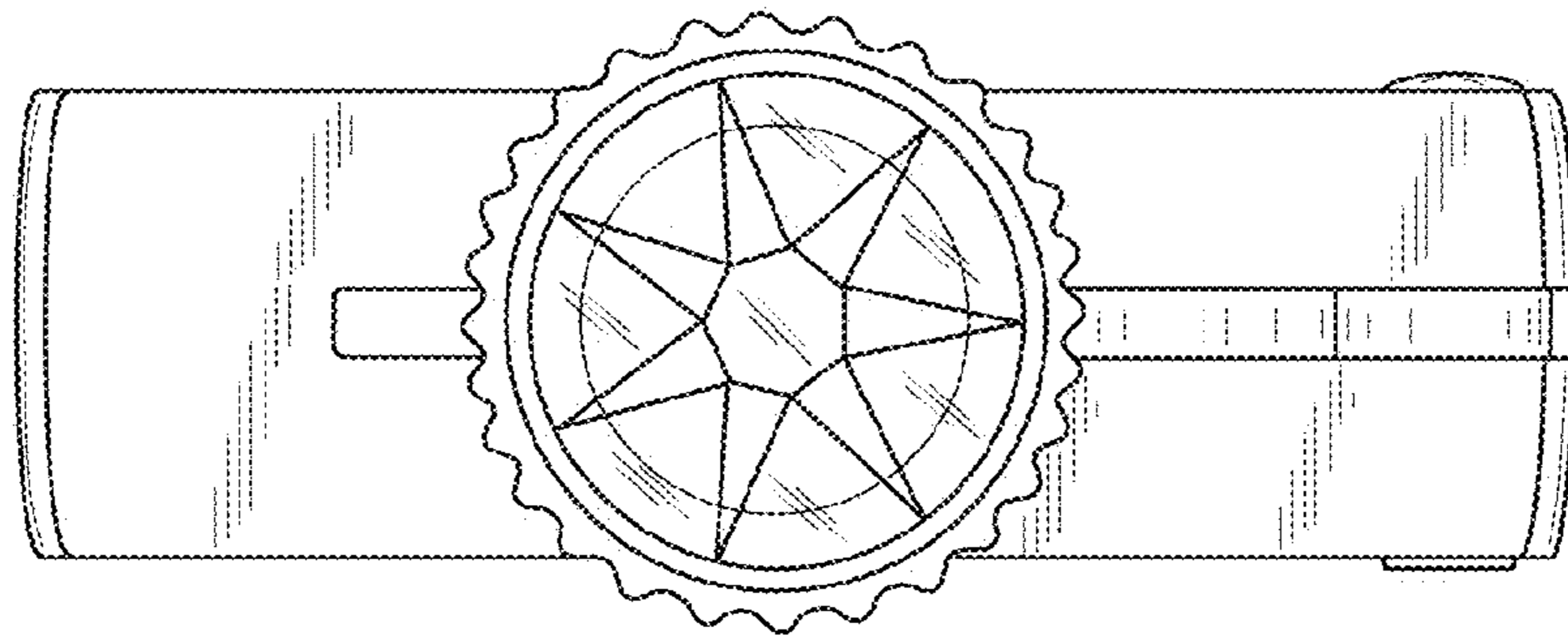


FIG. 6

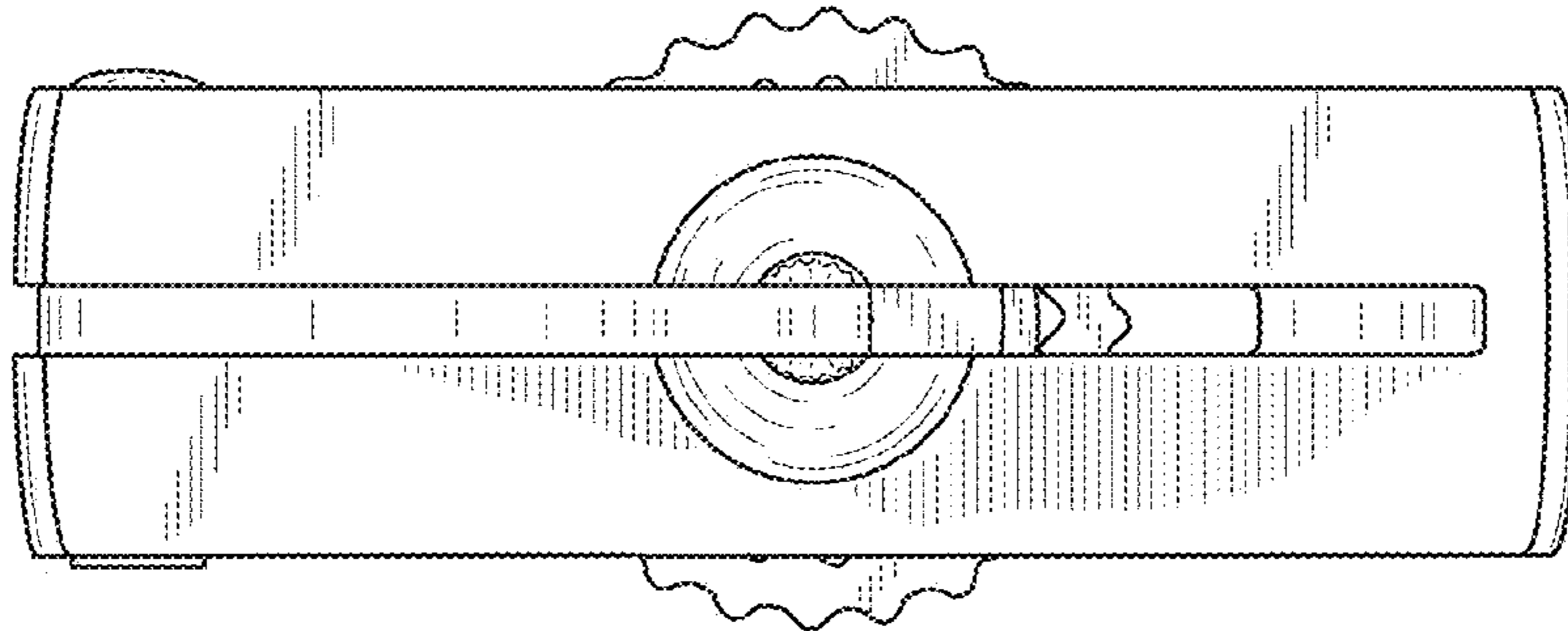


FIG. 7