



US00D730428S

(12) **United States Design Patent**  
**Samuels et al.**

(10) **Patent No.:** **US D730,428 S**

(45) **Date of Patent:** **\*\* May 26, 2015**

(54) **SUCTION CUP MOUNT**

(71) Applicant: **GoPro, Inc.**, San Mateo, CA (US)

(72) Inventors: **Rudy Lucas Samuels**, Mill Valley, CA (US); **Joshua Todd Druker**, Redwood City, CA (US); **Travis Eastman Pynn**, Moss Beach, CA (US); **Nicholas D. Woodman**, Sausalito, CA (US)

(73) Assignee: **GoPro, Inc.**, San Mateo, CA (US)

(\*\*) Term: **14 Years**

(21) Appl. No.: **29/476,824**

(22) Filed: **Dec. 17, 2013**

**Related U.S. Application Data**

(63) Continuation of application No. 29/460,701, filed on Jul. 12, 2013, now Pat. No. Des. 698,851, which is a continuation of application No. 29/434,619, filed on Oct. 15, 2012, now Pat. No. Des. 688,726.

(51) **LOC (10) Cl.** ..... **16-05**

(52) **U.S. Cl.**  
USPC ..... **D16/242**

(58) **Field of Classification Search**  
CPC ..... G03B 17/14; G03B 17/26; G03B 17/30; G03B 17/56; G03B 17/561-17/568; G03B 21/54; F16M 11/14; F16M 11/26; F16M 13/04; H04N 5/2254  
USPC ..... D16/205, 208, 211, 214, 218-220, 235, D16/237-250, 302, 303; D8/354, 363, 394, D8/395; D14/217, 251, 253, 447, 452  
See application file for complete search history.

(56) **References Cited**

**U.S. PATENT DOCUMENTS**

D521,850 S 5/2006 Richter et al.  
D545,825 S 7/2007 Richter

(Continued)

**OTHER PUBLICATIONS**

Shenzhen AEE Technology, Co., Ltd., "Professional car camcorder CD20," 4 pages, Archived on Webarchive.org on Sep. 24, 2012,

[online] [Retrieved on Jan. 9, 2013] Retrieved from the internet <URL:http://web-beta.archive.org/web/20120924044527/http://aee.com/en/productshow.asp?Sendid=77>.

*Primary Examiner* — Susan Bennett Hattan

*Assistant Examiner* — Vy Koenig

(74) *Attorney, Agent, or Firm* — Fenwick & West LLP

(57) **CLAIM**

The ornamental design for a suction cup mount, as shown and described.

**DESCRIPTION**

FIG. 1 is a top and left side perspective view of a suction cup mount in a folded and locked and unrotated configuration showing our new design;

FIG. 2 is a top and right side perspective view thereof;

FIG. 3 is top plan view thereof;

FIG. 4 is a bottom plan view thereof;

FIG. 5 is a rear elevational view thereof;

FIG. 6 is a front elevational view thereof;

FIG. 7 is a left side elevational view thereof;

FIG. 8 is a right side elevational view thereof; and

FIG. 9 is a top and left side perspective view of a suction cup mount in an unfolded and locked and unrotated configuration.

FIG. 10 is top and right side perspective view thereof.

FIG. 11 is a top plan view thereof.

FIG. 12 is a front elevational view thereof.

FIG. 13 is right side elevational view thereof.

FIG. 14 is right side elevational view of a suction cup mount in an unfolded and unlocked configuration.

FIG. 15 is a top and right side perspective view thereof.

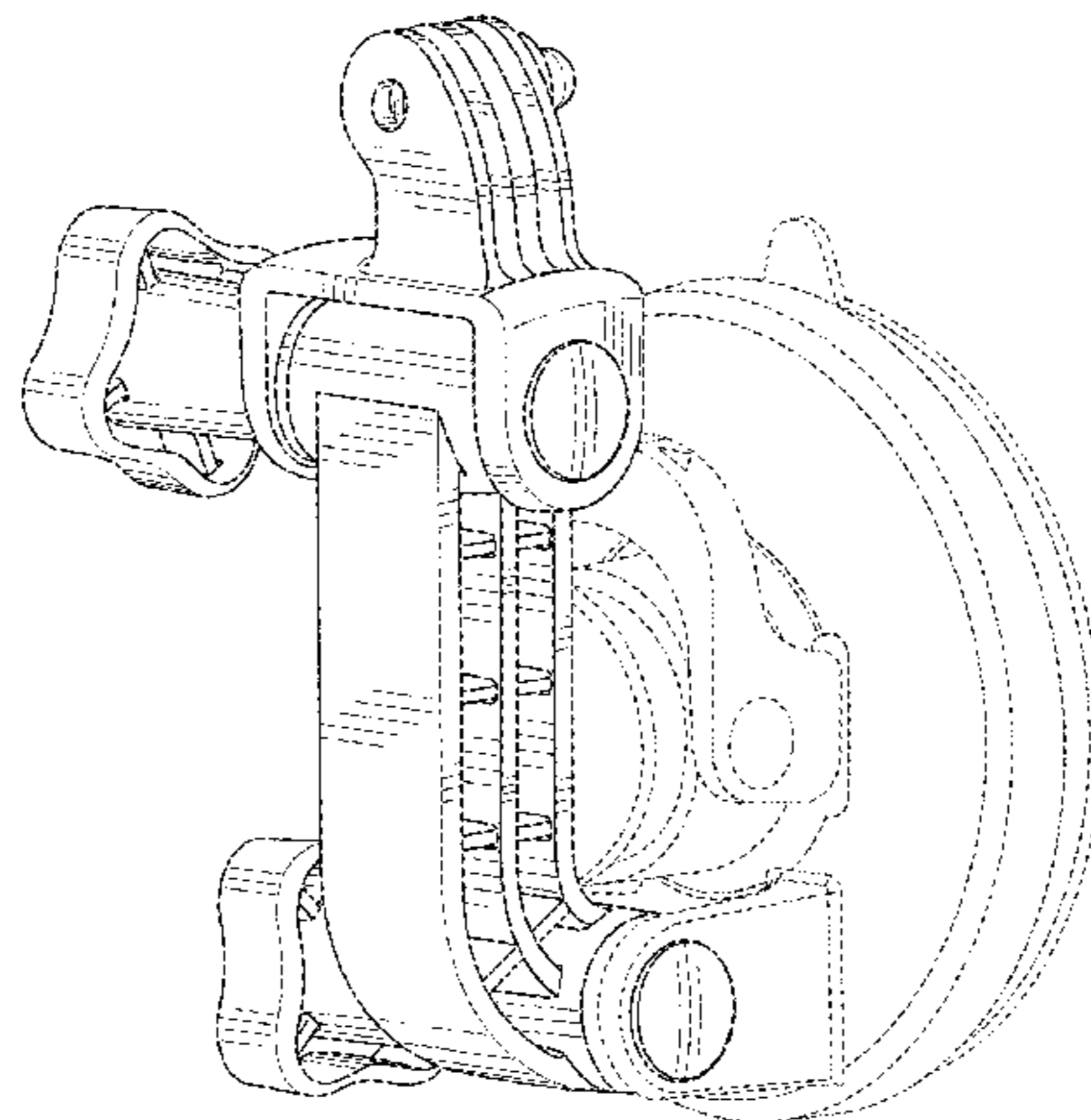
FIG. 16 is top and left side perspective view of a suction cup mount in a folded and locked and rotated configuration;

FIG. 17 is a top plan view thereof; and,

FIG. 18 is a top and right side perspective view of a suction cup mount in an unfolded and locked and rotated configuration.

The broken lines in the drawings showing portions of the suction cup mount are included for the purpose of illustrating environmental structure and form no part of the claimed design.

**1 Claim, 18 Drawing Sheets**



(56)

**References Cited**

U.S. PATENT DOCUMENTS

D554,136 S 10/2007 Richter  
 D554,137 S 10/2007 Richter  
 D556,205 S 11/2007 Wohlford  
 D566,530 S 4/2008 Brassard  
 D580,847 S 11/2008 Mo  
 D587,188 S 2/2009 Mo  
 D592,205 S 5/2009 O'Brien  
 D602,024 S 10/2009 Richter  
 D602,025 S 10/2009 Richter  
 D619,586 S 7/2010 Richter  
 D619,587 S 7/2010 Richter  
 7,766,288 B2 8/2010 Kim et al.  
 D627,624 S 11/2010 Brassard  
 D654,493 S 2/2012 Baumann et al.  
 D655,283 S 3/2012 Richter  
 D655,284 S 3/2012 Richter  
 D664,952 S 8/2012 Richter  
 D670,157 S 11/2012 Mo

D681,028 S 4/2013 Richter  
 D681,029 S 4/2013 Richter  
 D688,726 S 8/2013 Samuels et al.  
 D700,175 S \* 2/2014 Ohm ..... D14/253  
 D709,066 S \* 7/2014 Byun ..... D14/253  
 D714,772 S \* 10/2014 Rozzo et al. .... D14/253  
 2007/0012825 A1 1/2007 Yeh  
 2010/0320341 A1\* 12/2010 Baumann et al. .... 248/206.2  
 2012/0049019 A1 3/2012 Chen

OTHER PUBLICATIONS

Woodman Labs, Inc., "GoPro—Suction Cup Mount," 2 pages, Archived on Webarchive.org on May 18, 2012, [online] [Retrieved on Jan. 9, 2013] Retrieved from the internet <URL:<http://web-beta.archive.org/web/20120518223156/http://gopro.com/camera-mounts/suction-cup-mount/>>.  
 GoPro Suction Cup Mount for Hero Camera. [online] First available Oct. 21, 2012, 2 Pages, Retrieved on Apr. 3, 2013 from URL:<[www.amazon.com/GoPro-Suction-Mount-HERO-Cameras](http://www.amazon.com/GoPro-Suction-Mount-HERO-Cameras)>.

\* cited by examiner

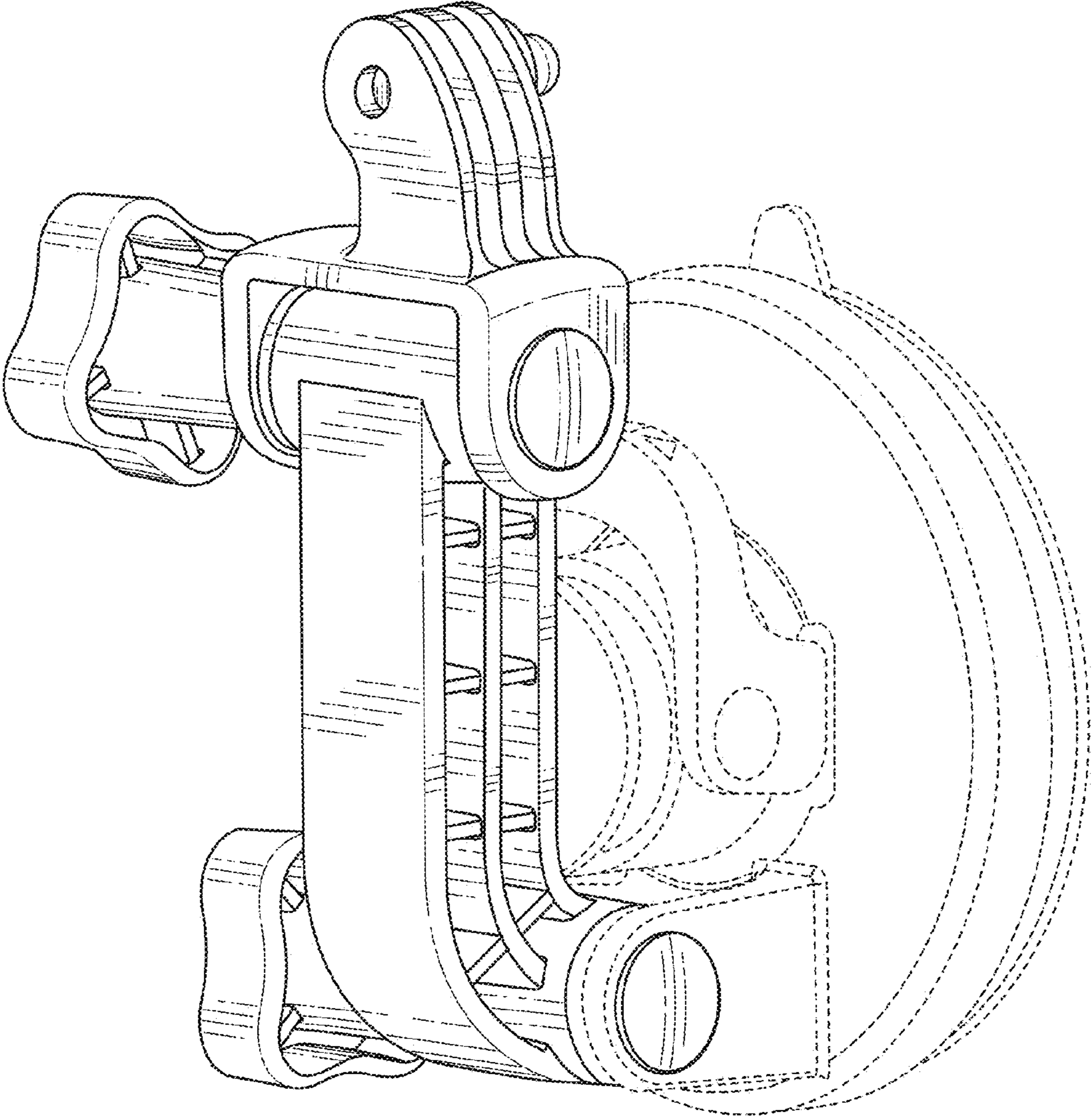


FIG. 1

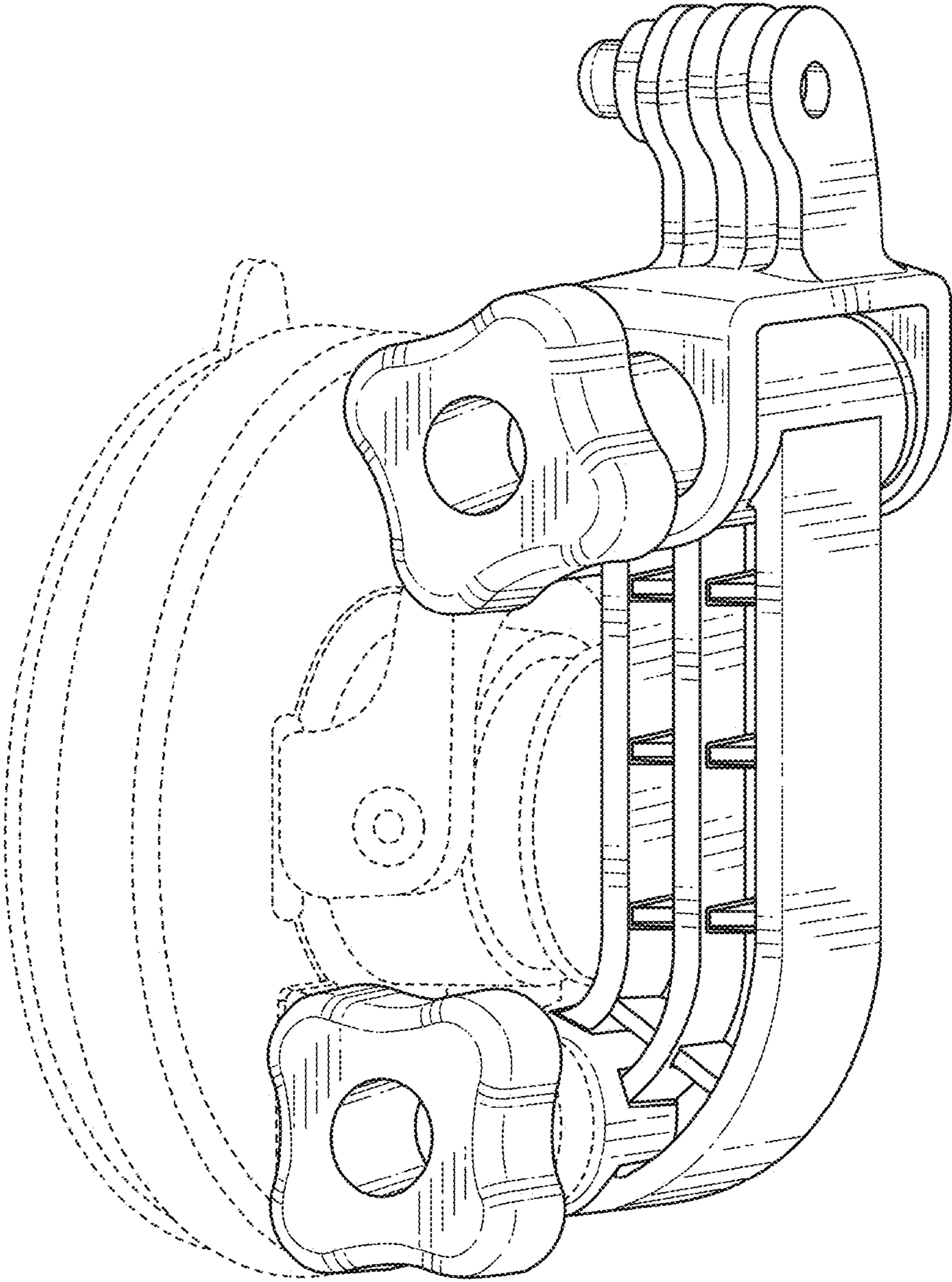


FIG. 2

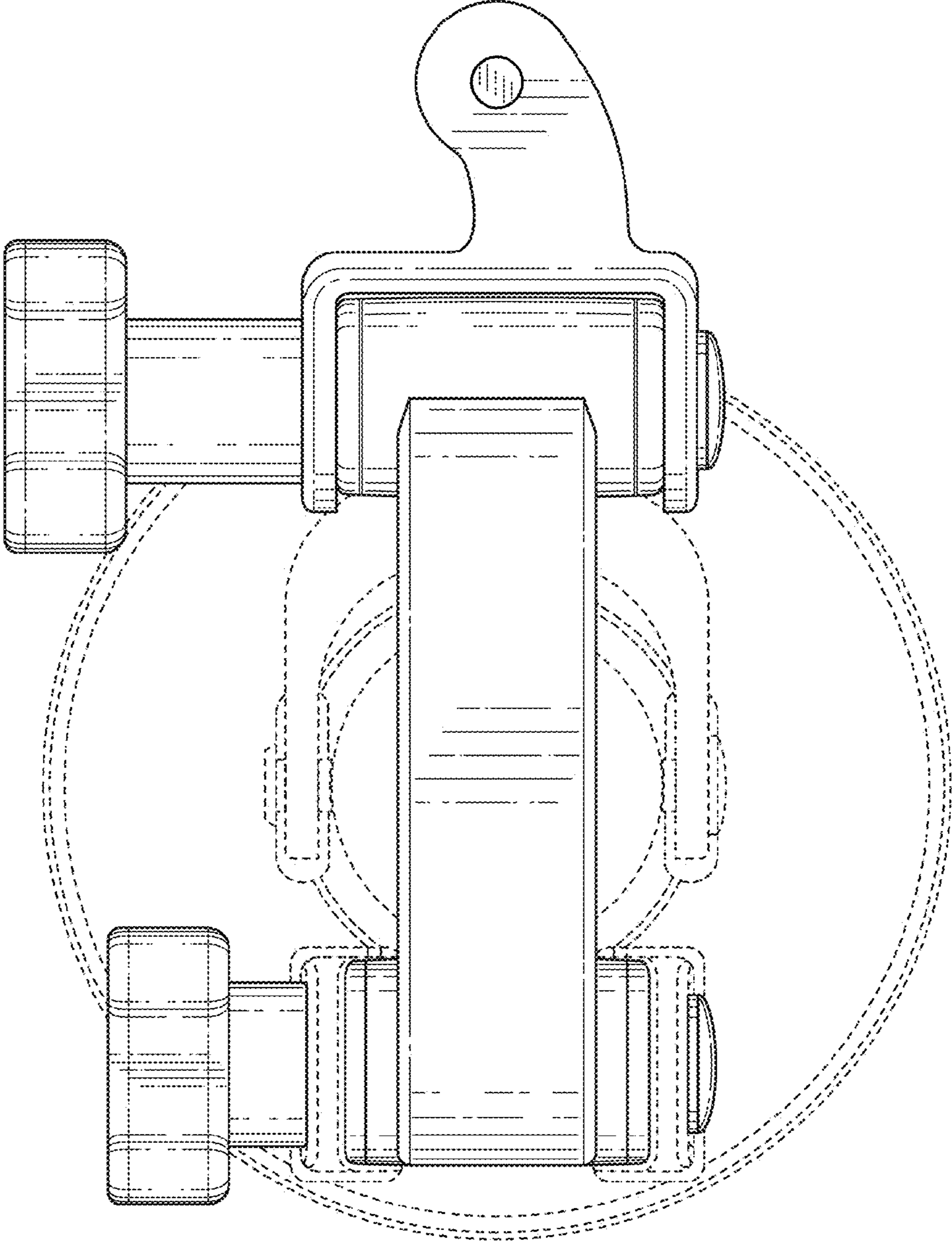


FIG. 3

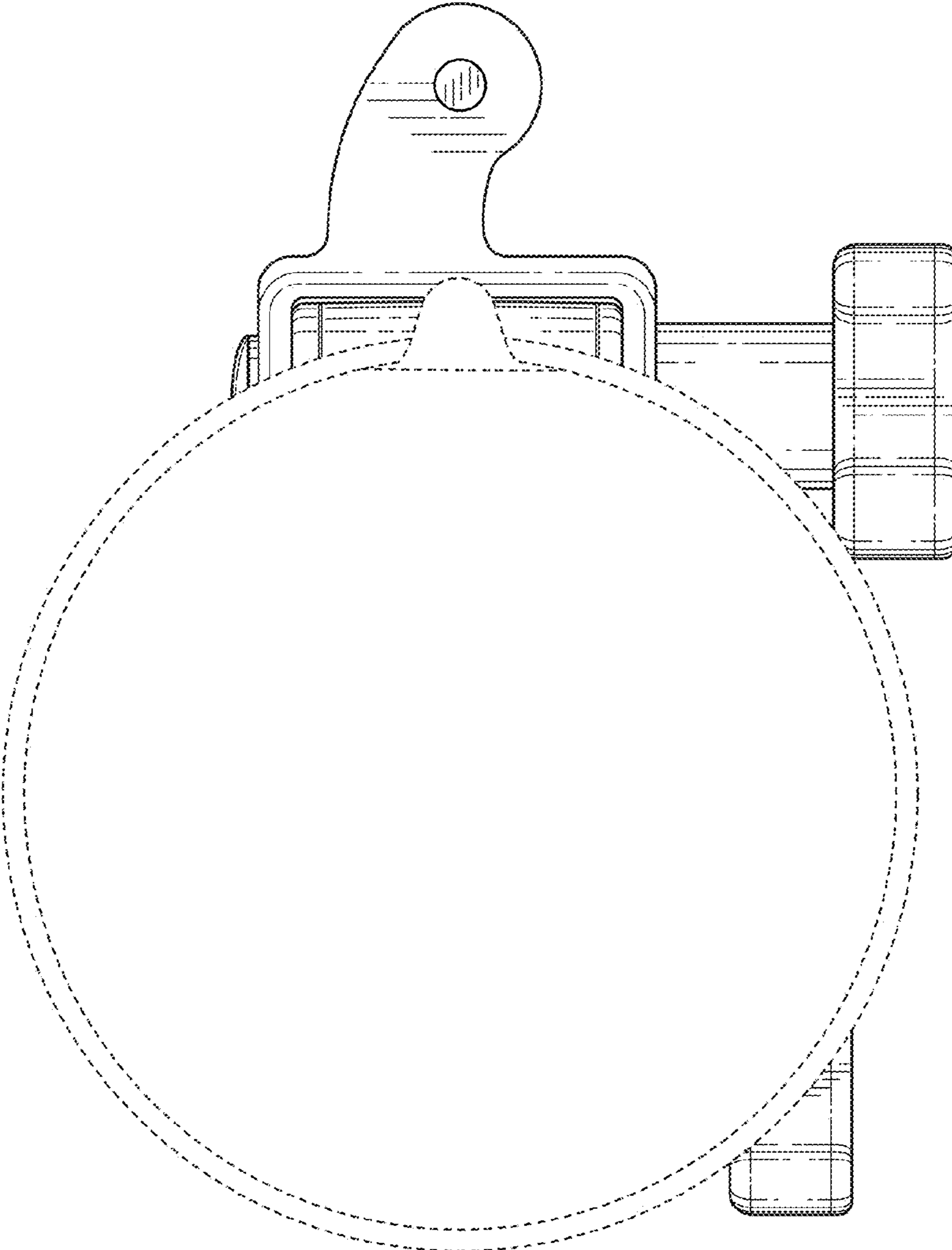


FIG. 4

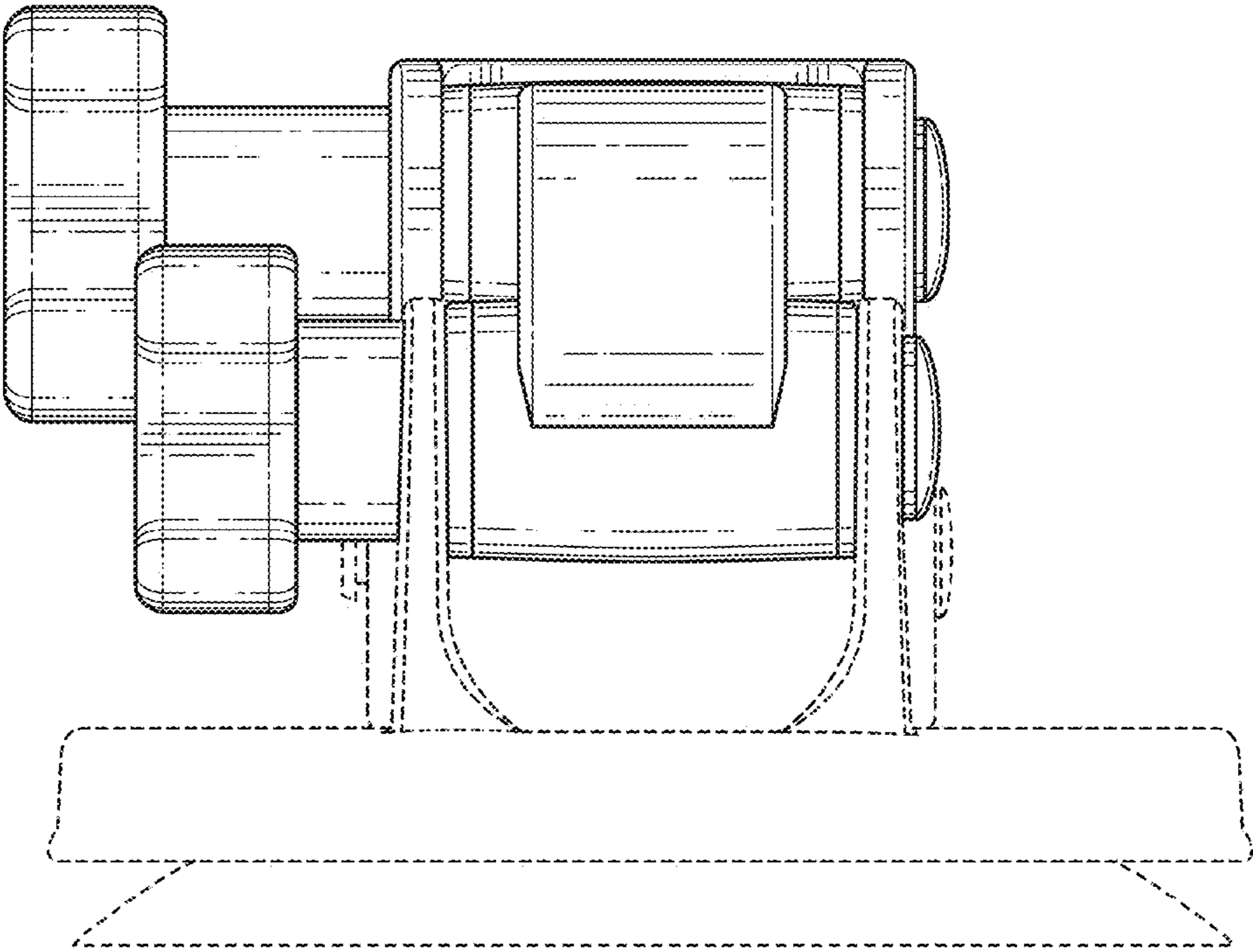


FIG. 5

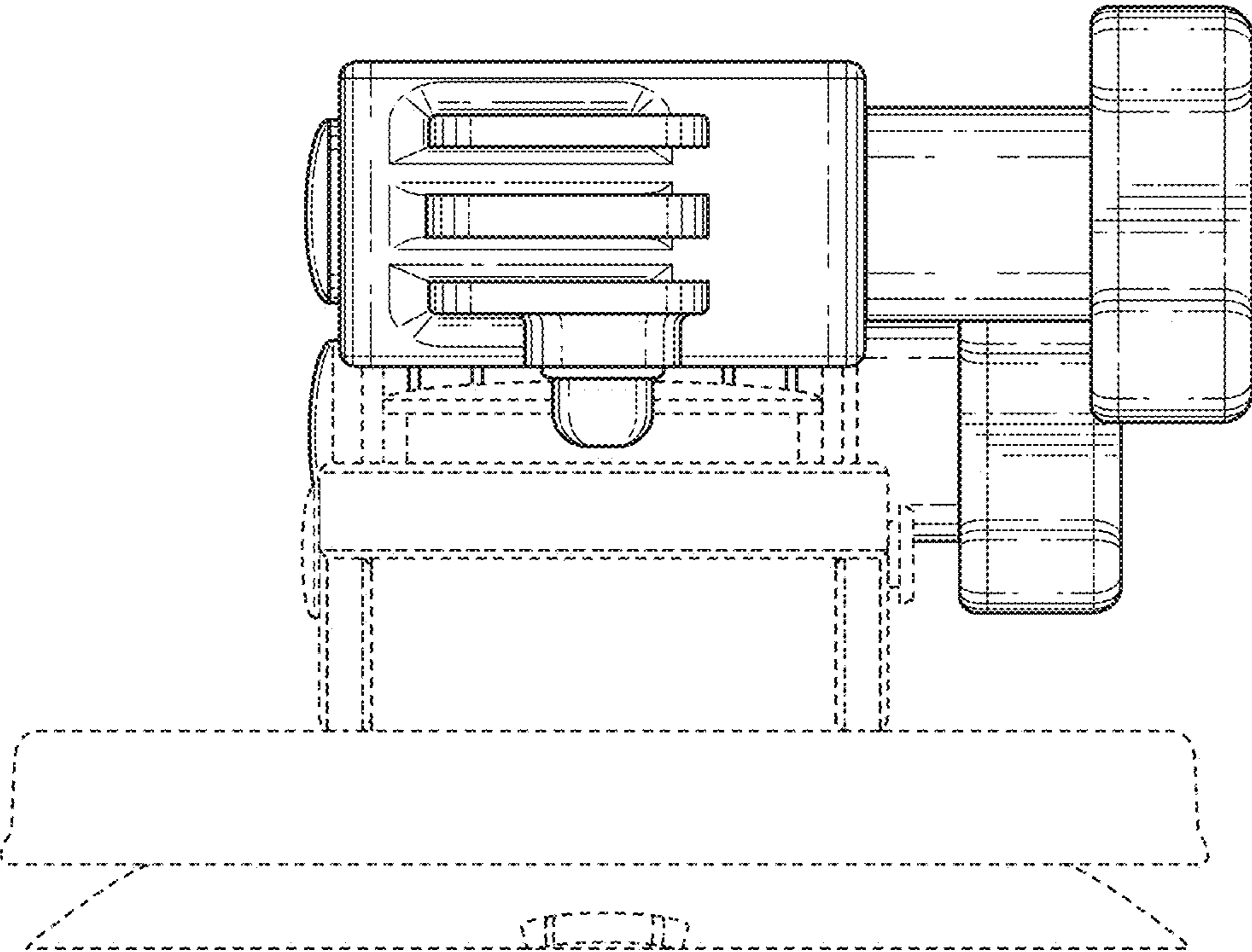


FIG. 6



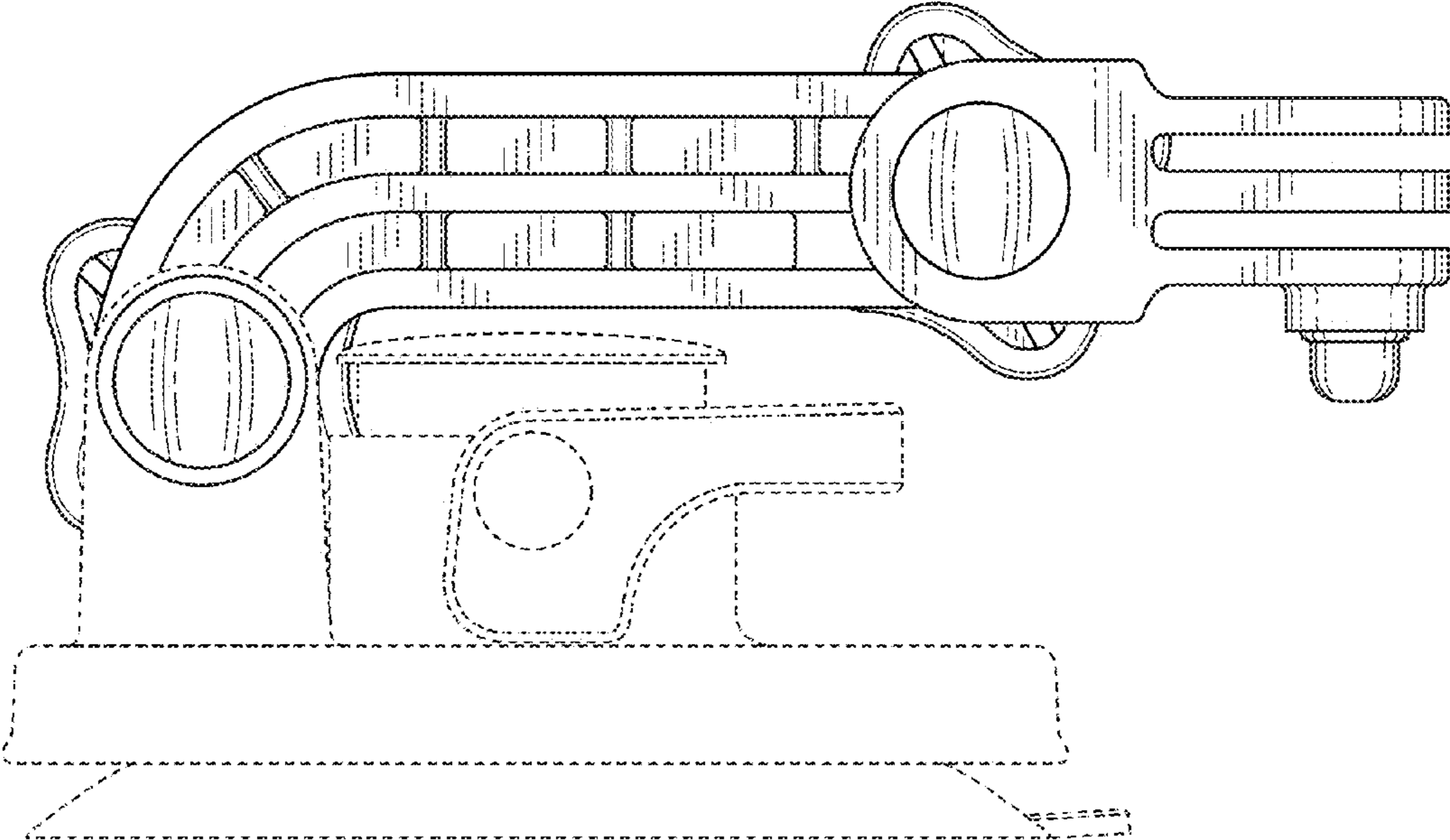


FIG. 7

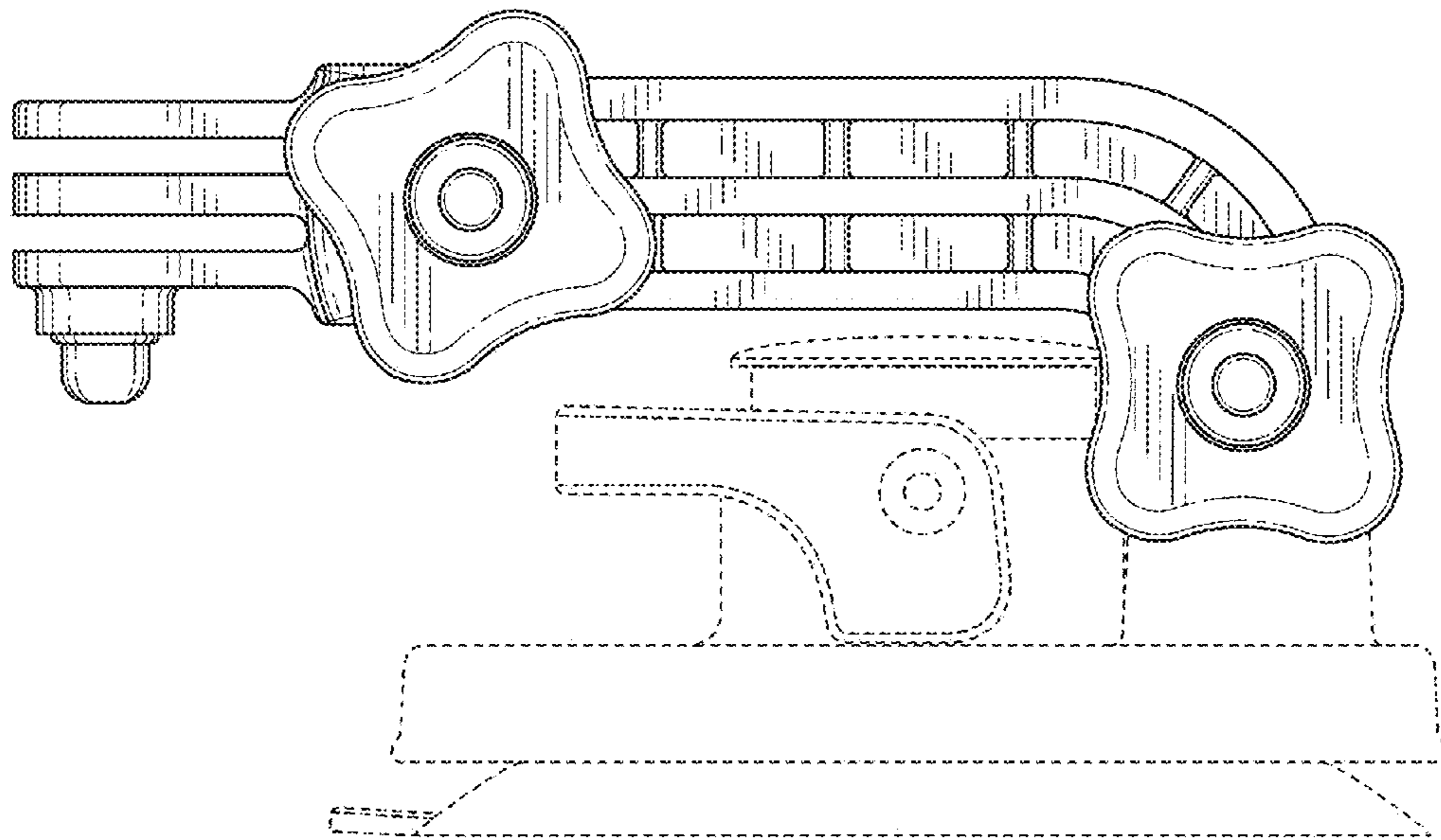


FIG. 8

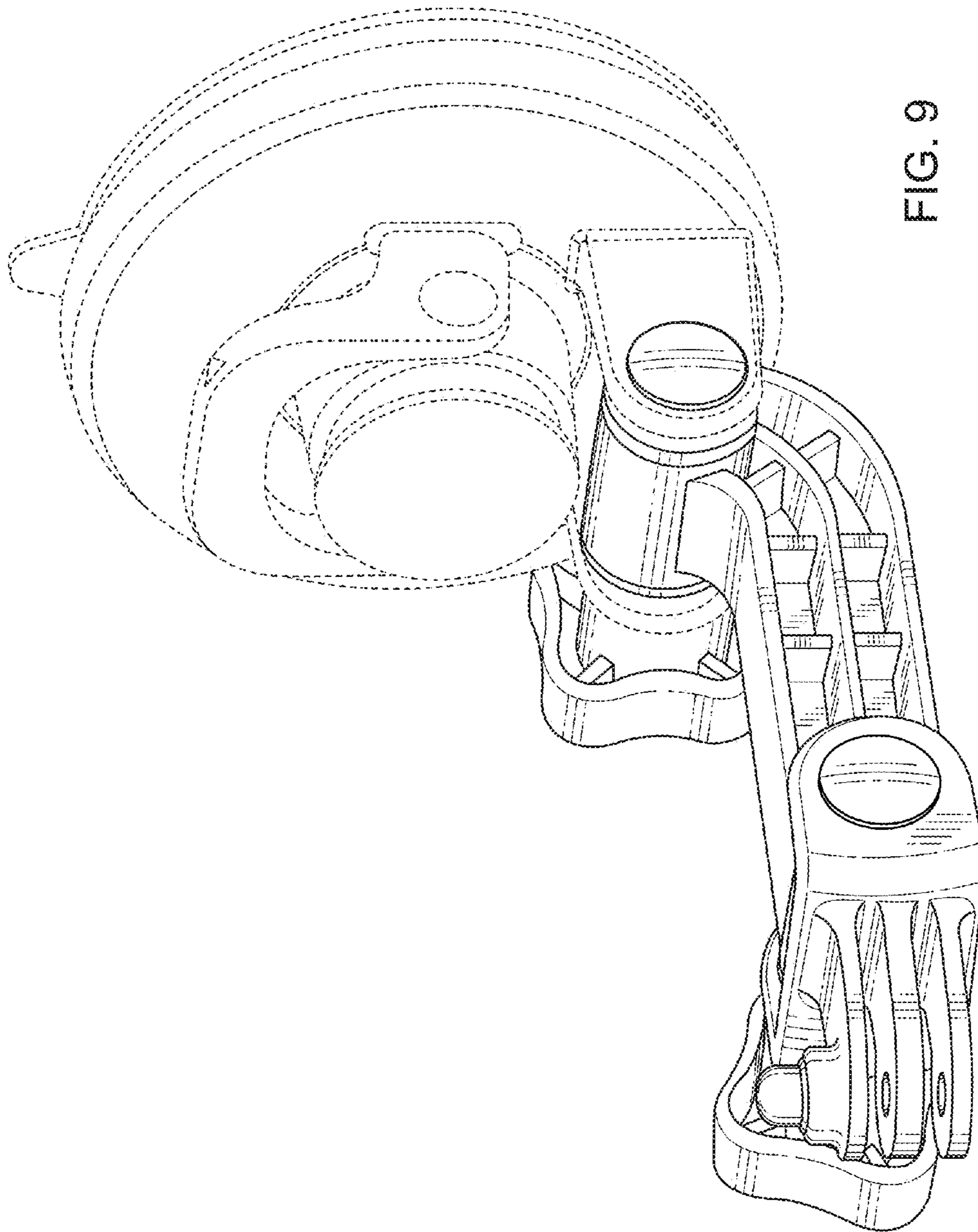


FIG. 9

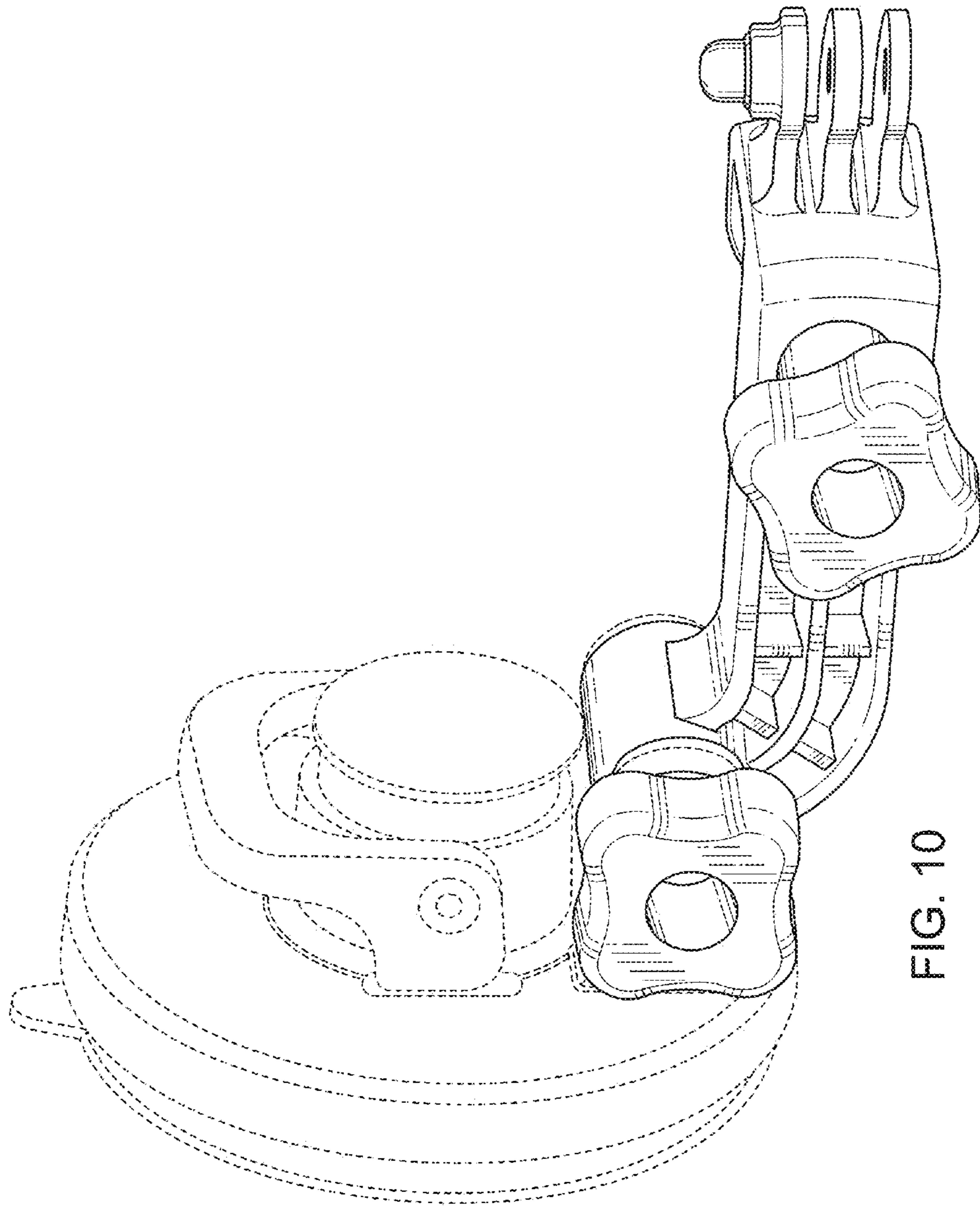


FIG. 10

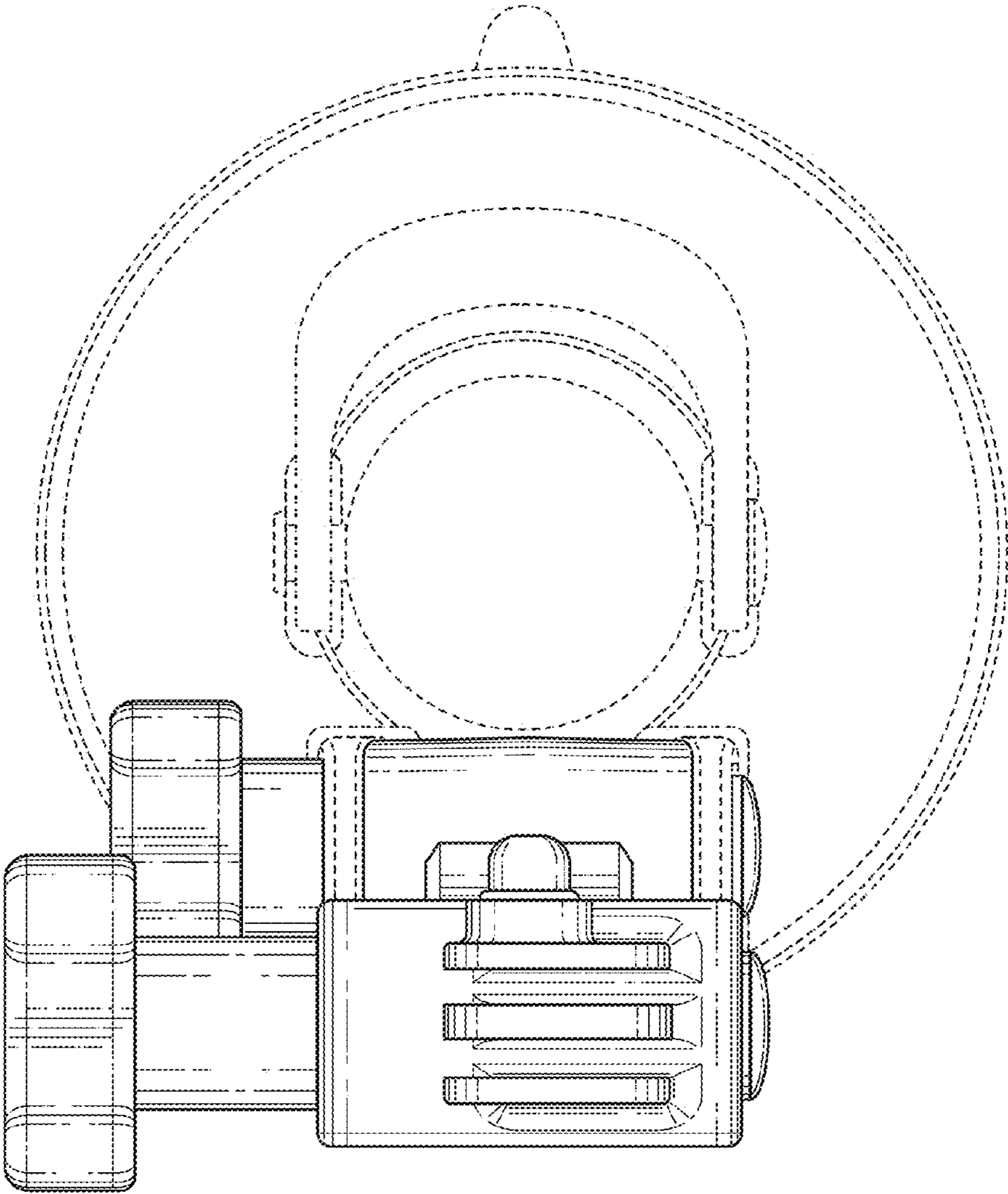


FIG. 11

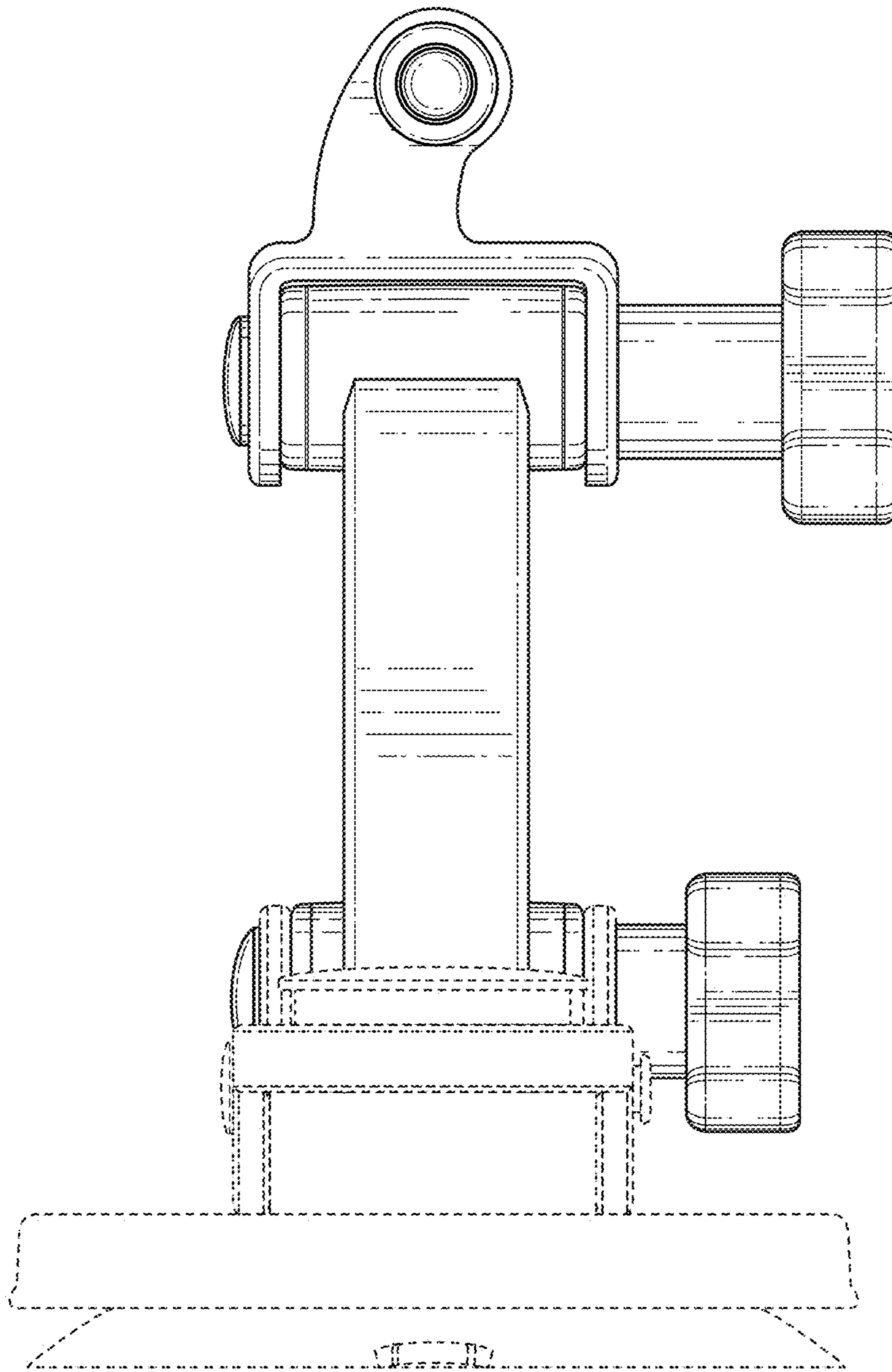


FIG. 12

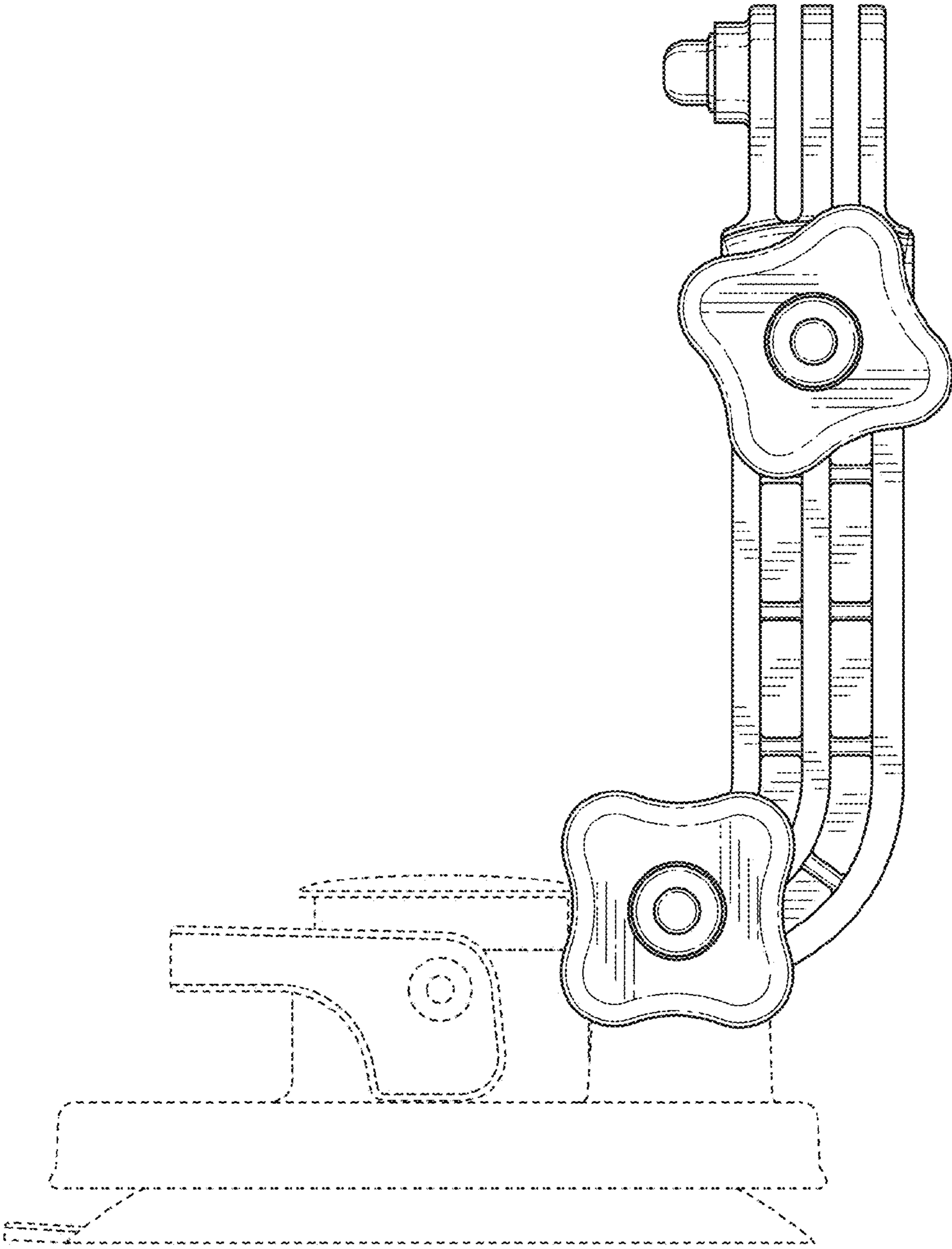


FIG. 13

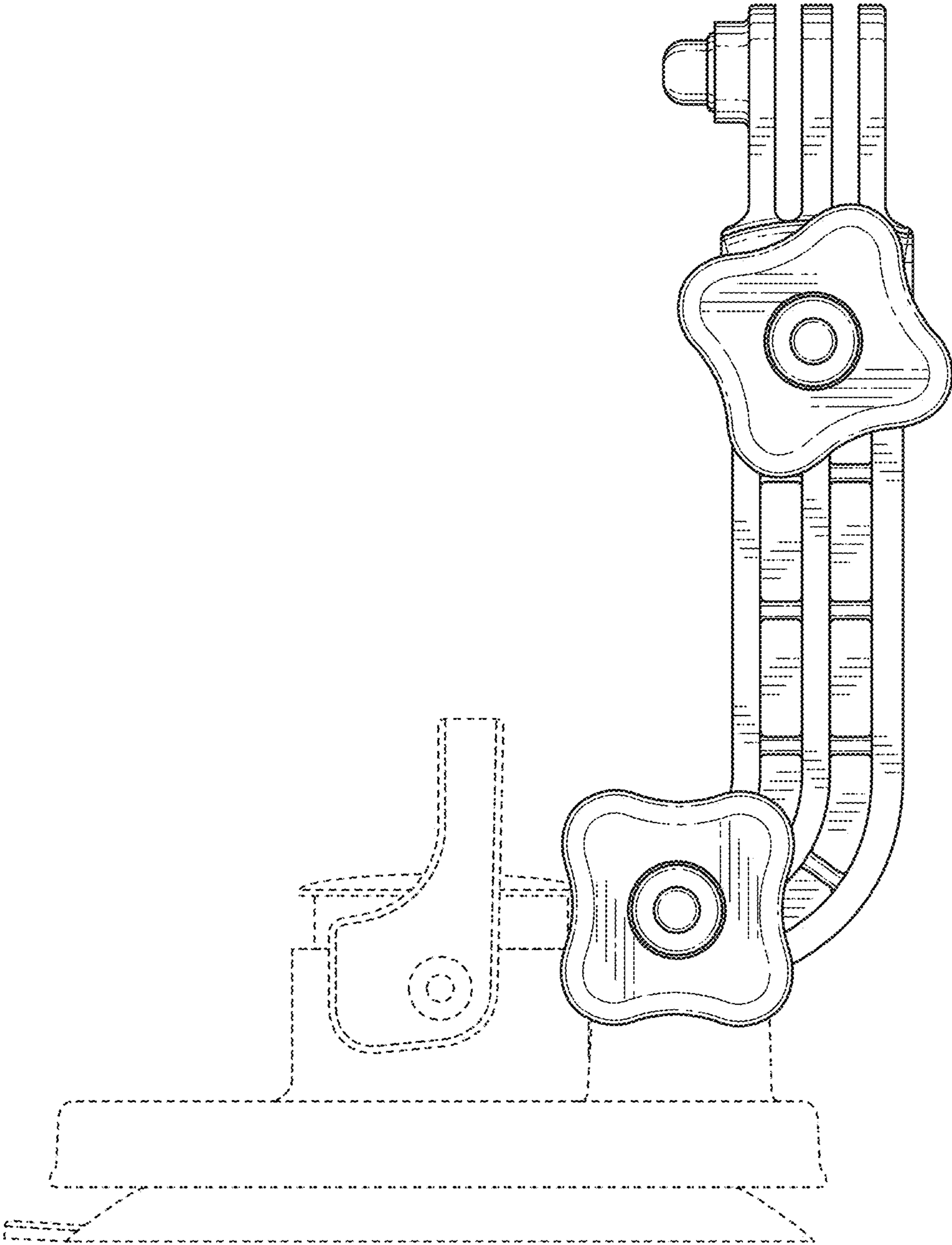


FIG. 14



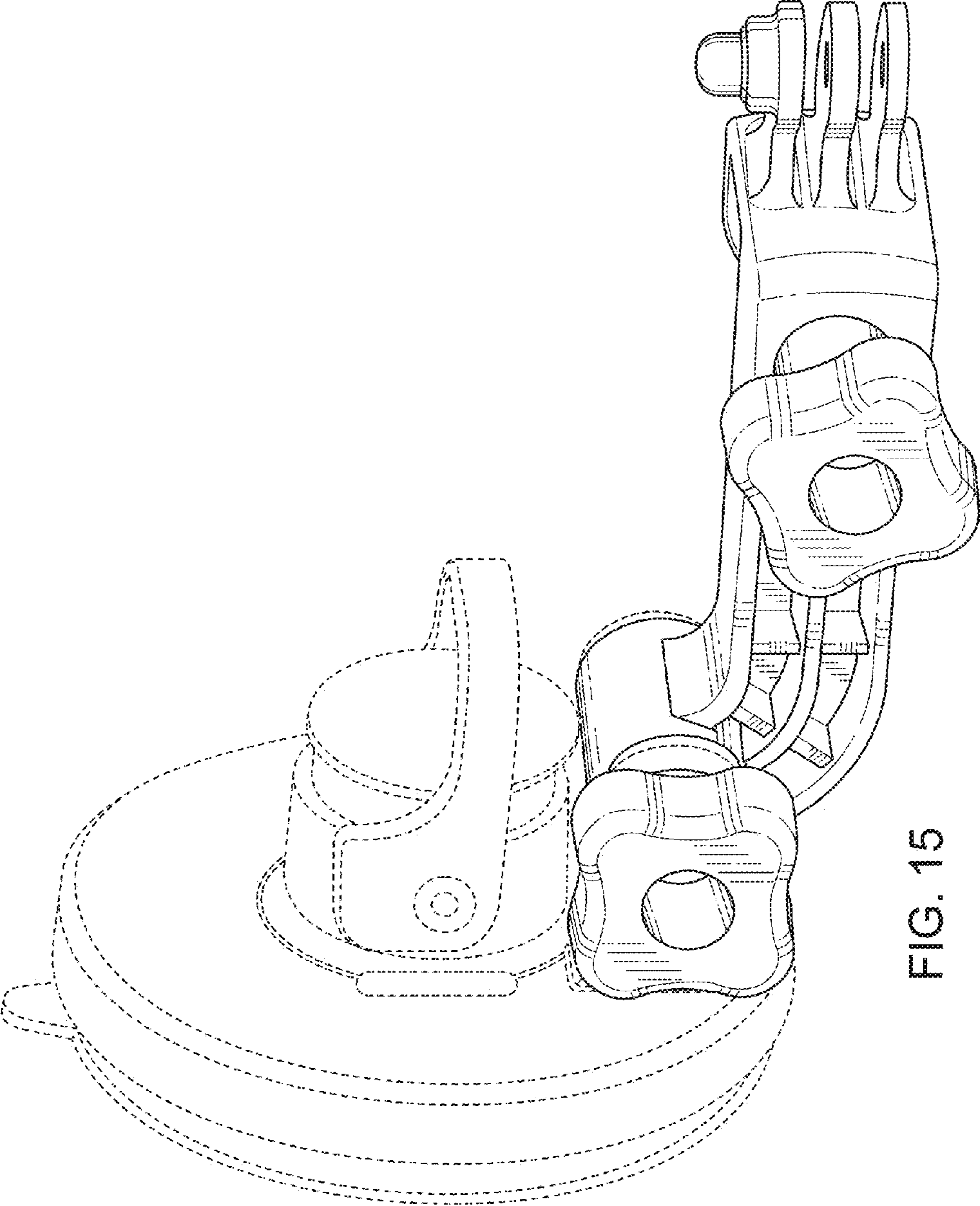


FIG. 15

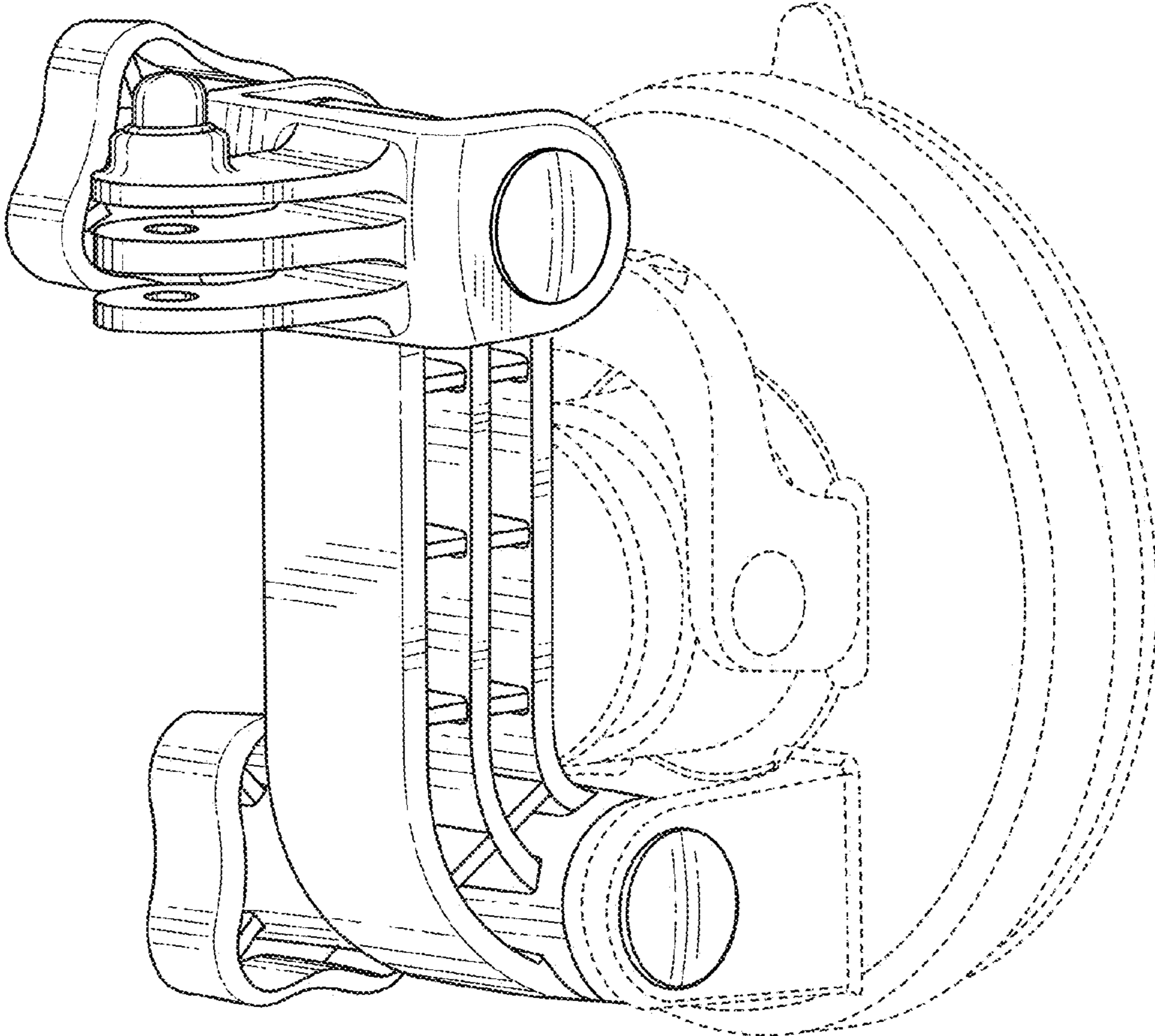


FIG. 16

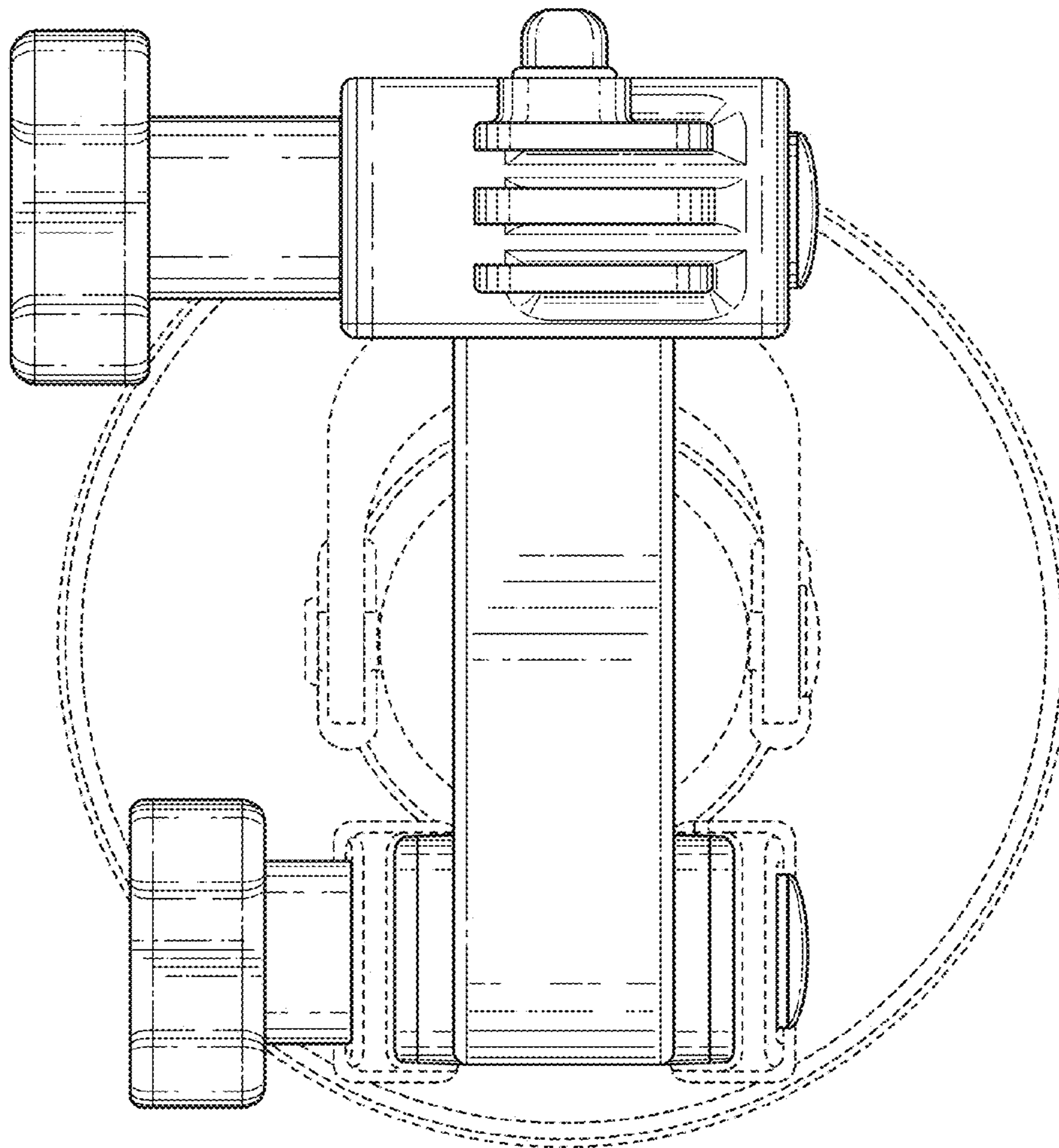


FIG. 17

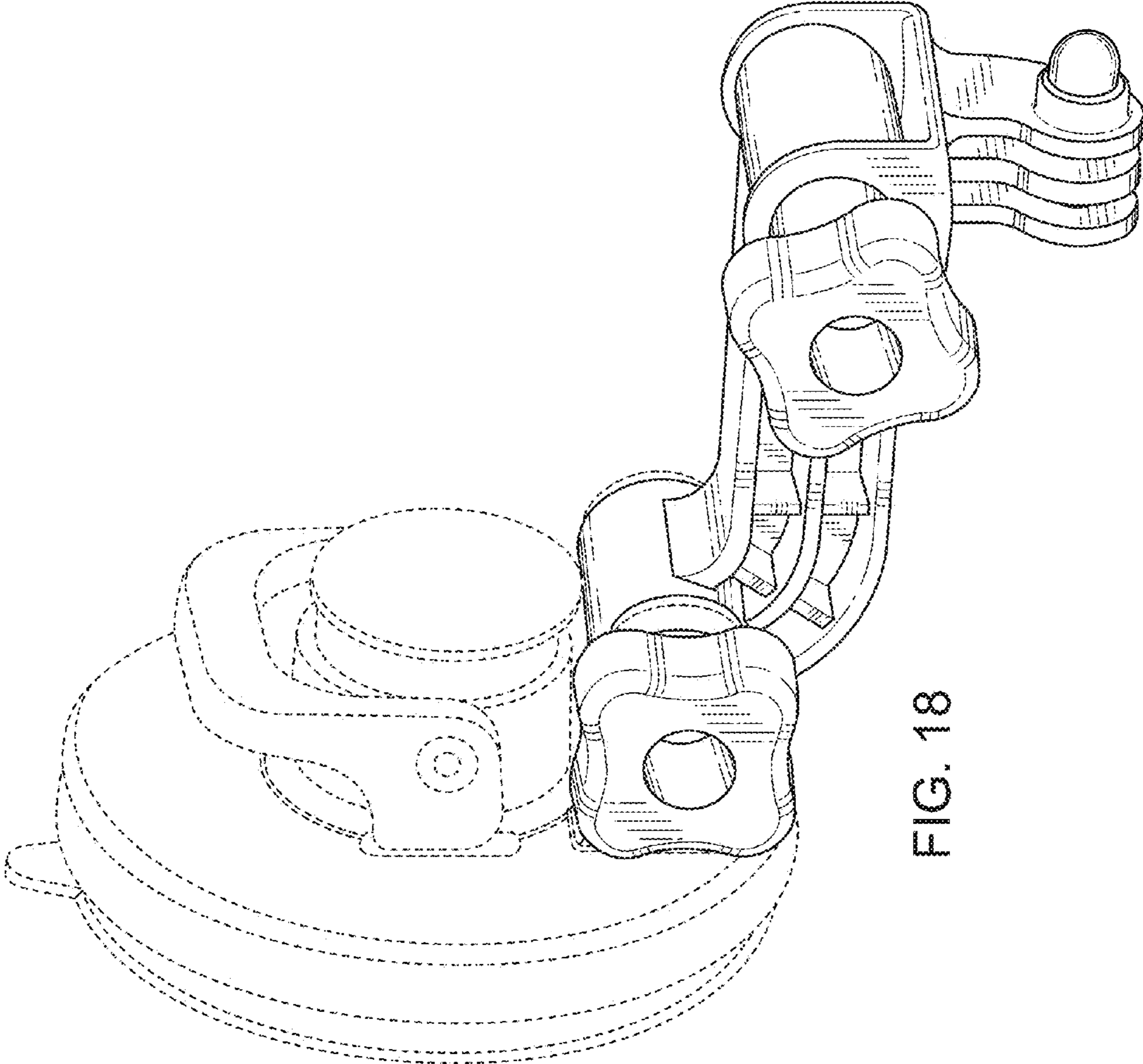


FIG. 18