



US00D730427S

(12) **United States Design Patent**  
**Ohashi et al.**

(10) **Patent No.:** **US D730,427 S**

(45) **Date of Patent:** **\*\* May 26, 2015**

(54) **PROJECTOR**

(71) Applicant: **Panasonic Corporation**, Osaka (JP)

(72) Inventors: **Ippei Ohashi**, Osaka (JP); **Takashi Tsukahara**, Osaka (JP); **Keiji Yuyama**, Osaka (JP)

(73) Assignee: **Panasonic Intellectual Property Management Co., Ltd.**, Osaka (JP)

(\*\*) Term: **14 Years**

(21) Appl. No.: **29/488,851**

(22) Filed: **Apr. 24, 2014**

(30) **Foreign Application Priority Data**

Jan. 29, 2014 (JP) ..... 2014-001629  
Jan. 29, 2014 (JP) ..... 2014-001631

(51) **LOC (10) Cl.** ..... **16-02**

(52) **U.S. Cl.**  
USPC ..... **D16/235**

(58) **Field of Classification Search**  
USPC ..... D16/221, 225, 230–231, 234–235;  
D21/514; 353/115, 119, 122  
See application file for complete search history.

(56) **References Cited**

**U.S. PATENT DOCUMENTS**

D578,150 S \* 10/2008 Sakamaki et al. .... D16/230  
D627,387 S \* 11/2010 Kawaguchi et al. .... D16/230  
8,118,437 B2 \* 2/2012 Otsuki ..... 353/119  
D655,739 S \* 3/2012 Ogawa et al. .... D16/230  
D661,721 S \* 6/2012 Fujikawa et al. .... D16/230  
D663,346 S \* 7/2012 Fujikawa et al. .... D16/230

D711,453 S \* 8/2014 Fujii et al. .... D16/230  
D718,802 S \* 12/2014 Ishibashi et al. .... D16/230  
2011/0181847 A1 \* 7/2011 Yamamoto et al. .... 353/119

\* cited by examiner

*Primary Examiner* — Wan Laymon

(74) *Attorney, Agent, or Firm* — Panasonic Patent Center

(57) **CLAIM**

We claim the ornamental design for a projector, as shown and described.

**DESCRIPTION**

FIG. 1 is a front perspective view of a first embodiment of a projector of the present invention;  
FIG. 2 is a rear perspective view thereof;  
FIG. 3 is a front view thereof;  
FIG. 4 is a rear view thereof;  
FIG. 5 is a first side view thereof;  
FIG. 6 is a second side view thereof;  
FIG. 7 is a top view thereof;  
FIG. 8 is a bottom view thereof;  
FIG. 9 is a front perspective view of a second embodiment of a projector of the present invention;  
FIG. 10 is a rear perspective view thereof;  
FIG. 11 is a front view thereof;  
FIG. 12 is a rear view thereof;  
FIG. 13 is a first side view thereof;  
FIG. 14 is a second side view thereof;  
FIG. 15 is a top view thereof; and,  
FIG. 16 is a bottom view thereof.

The broken line showing of a projector is included for the purpose of illustrating environment and forms no part of the claimed design. Additionally, the unevenly broken lines in the drawings define the limits of the claimed design.

**1 Claim, 16 Drawing Sheets**

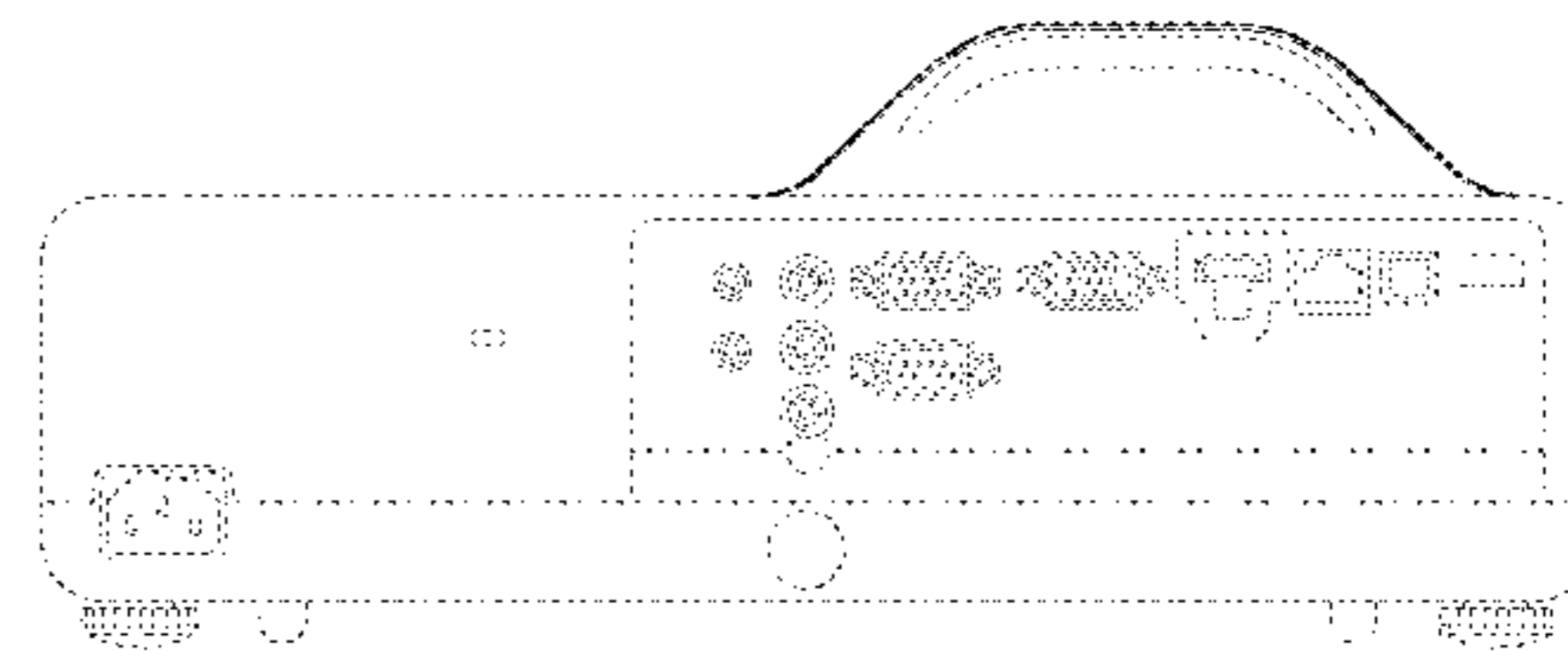
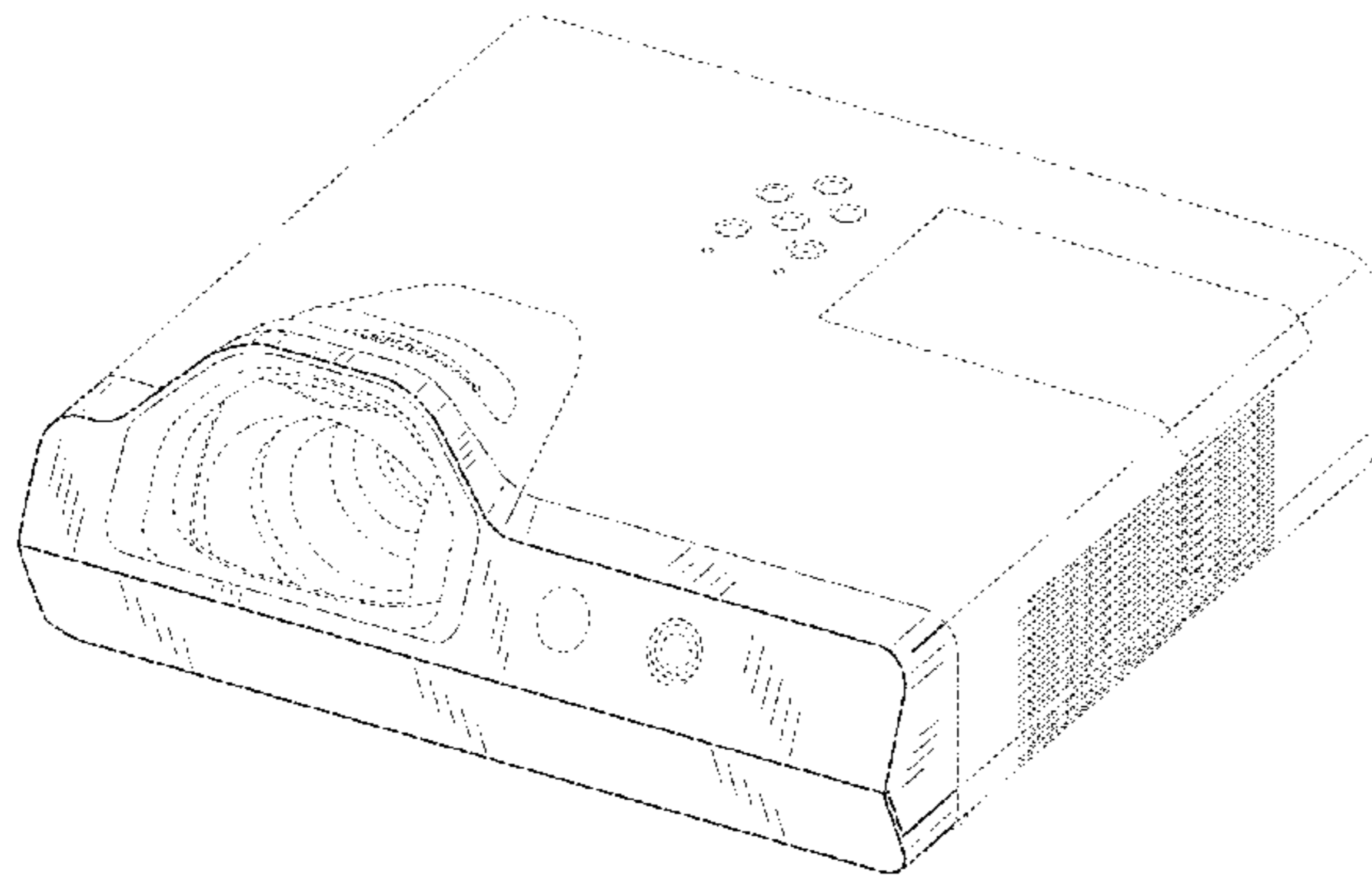


FIG. 1

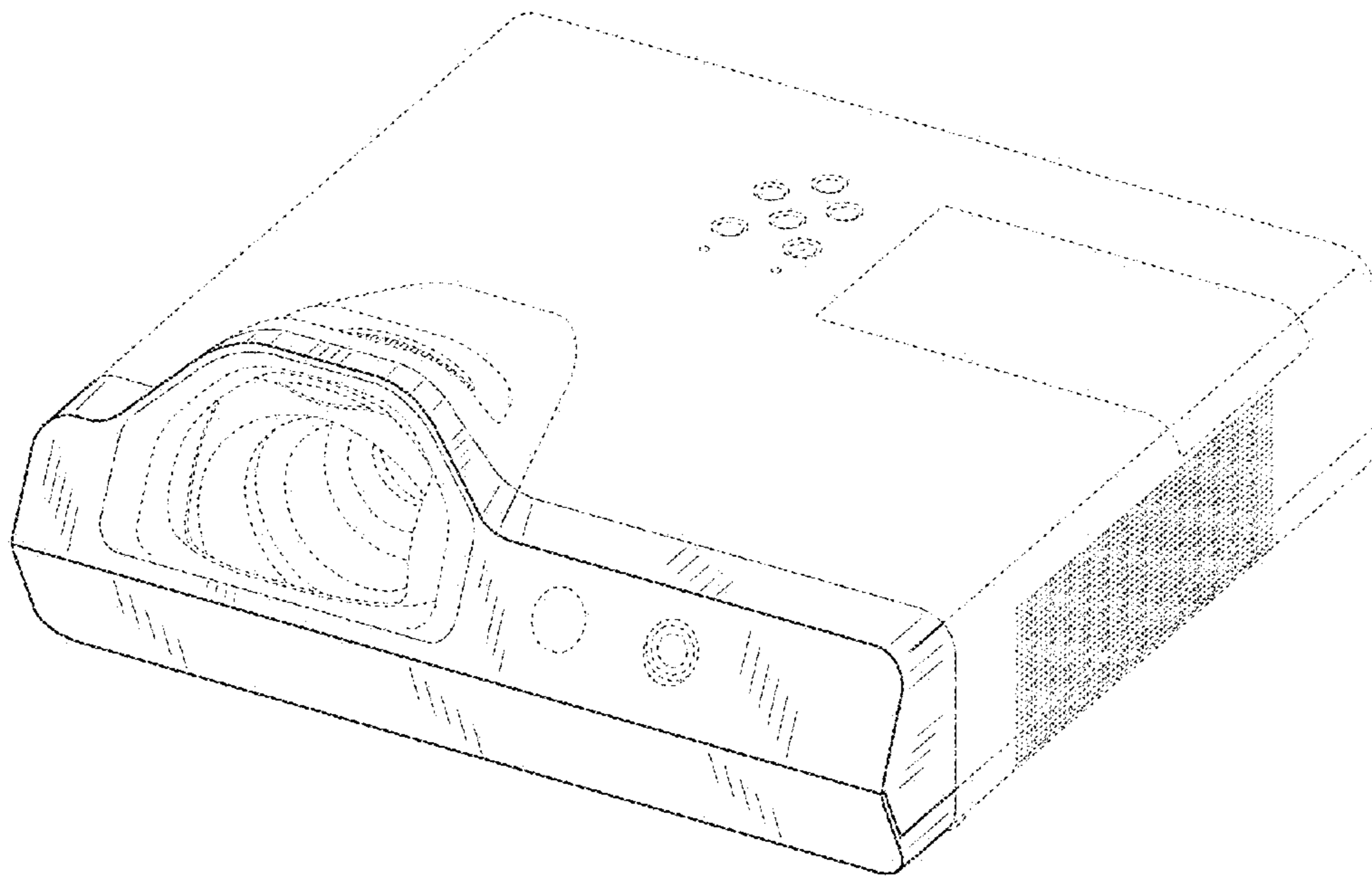


FIG. 2

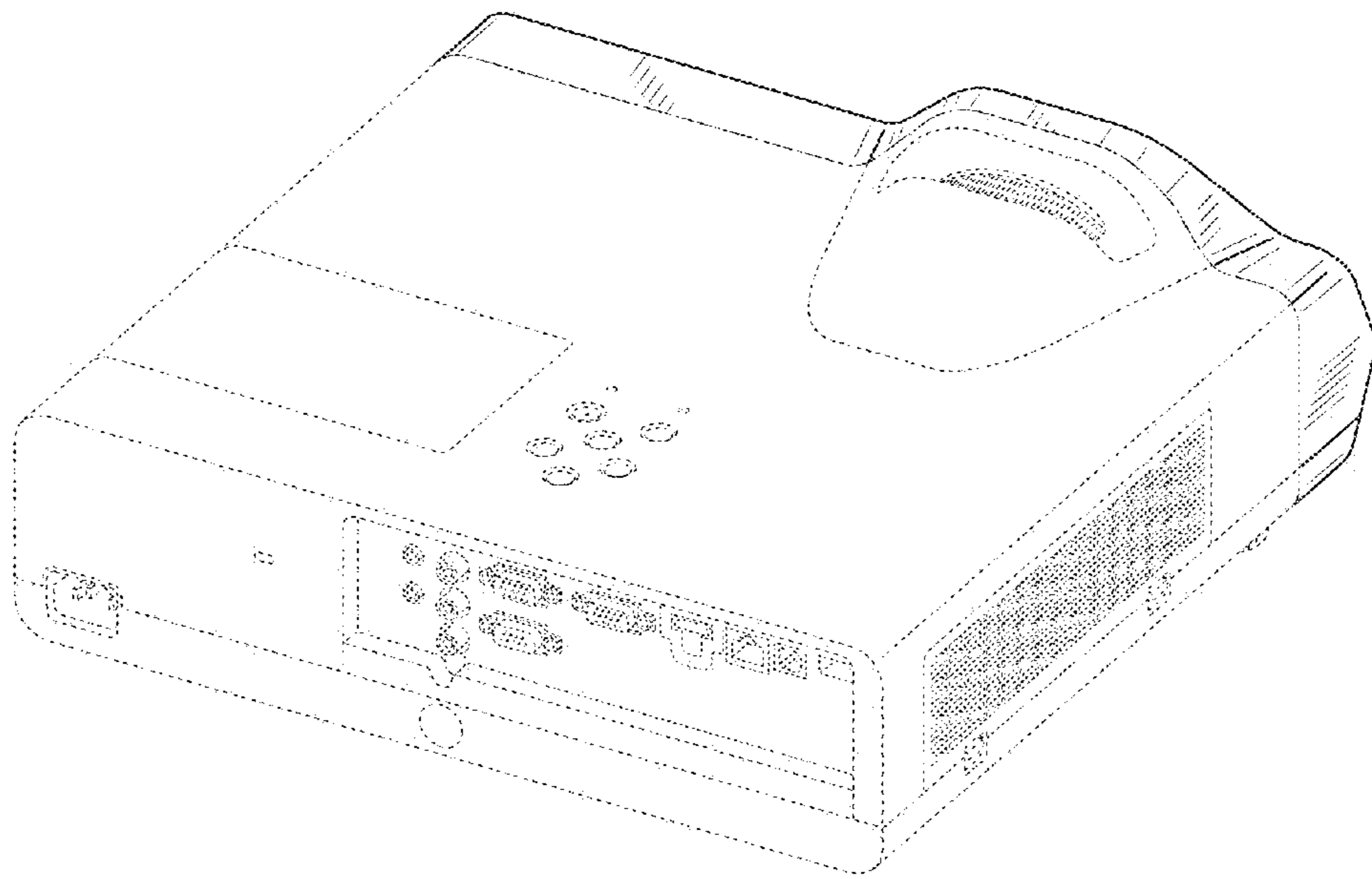


FIG. 3

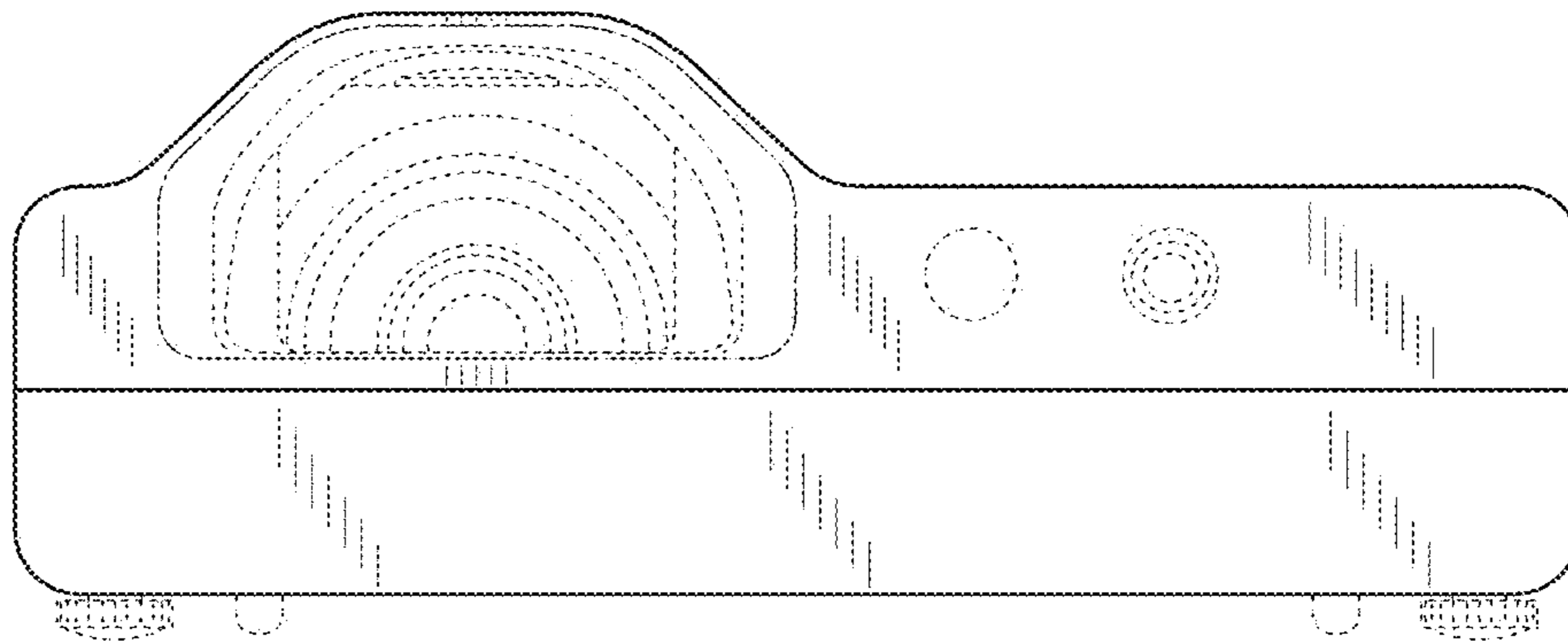


FIG. 4

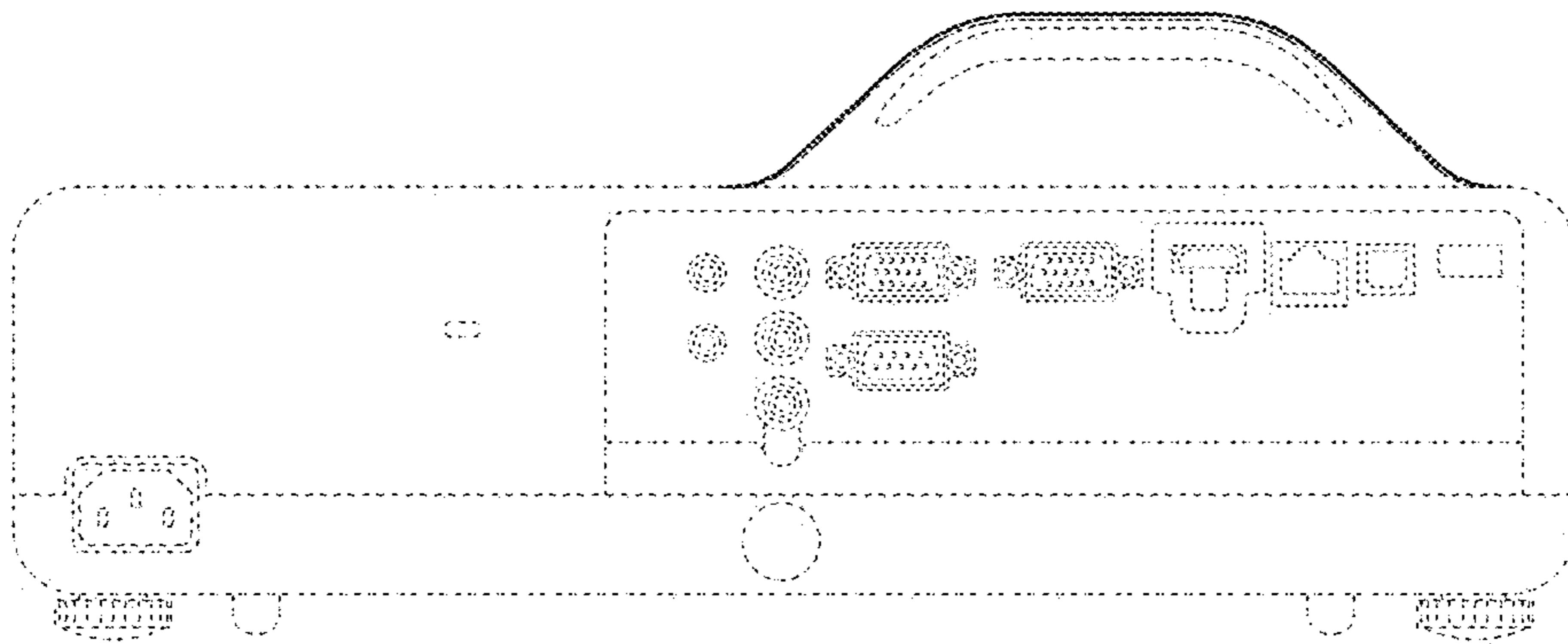


FIG. 5

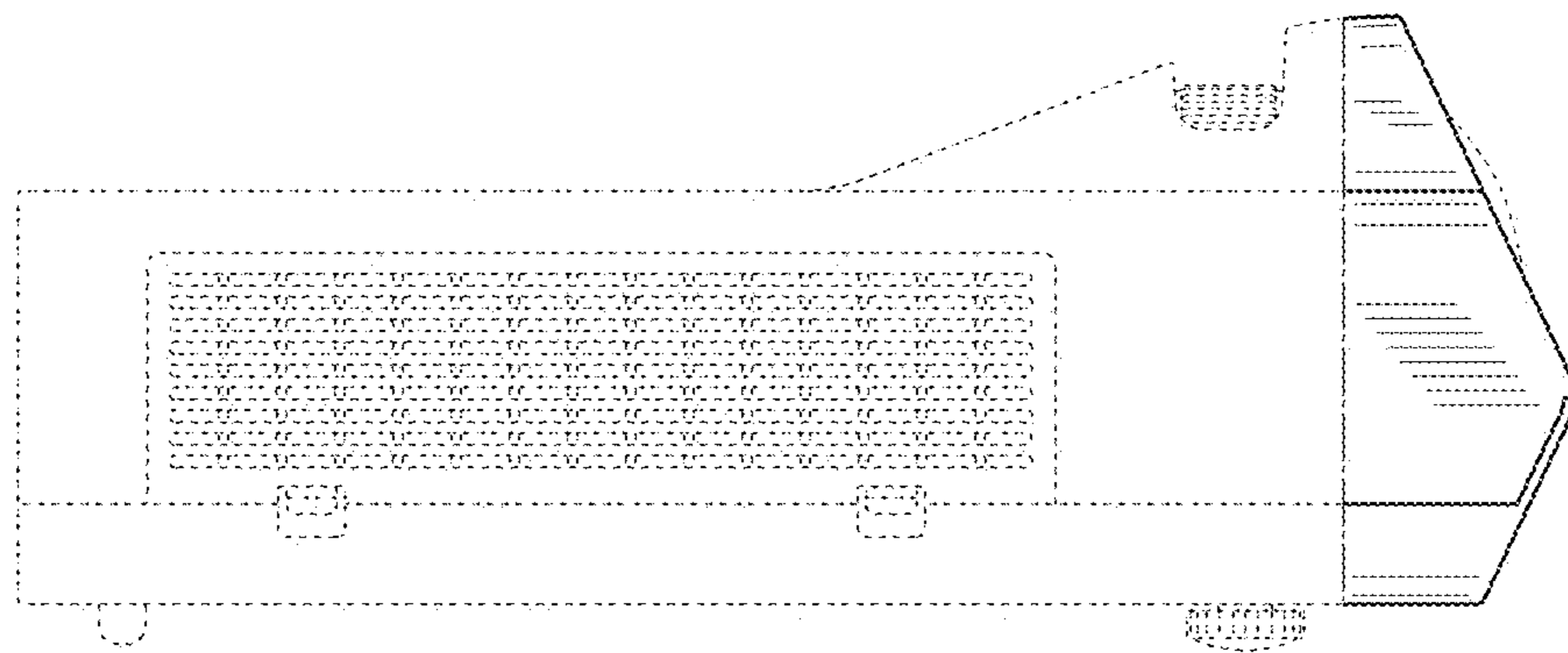


FIG. 6

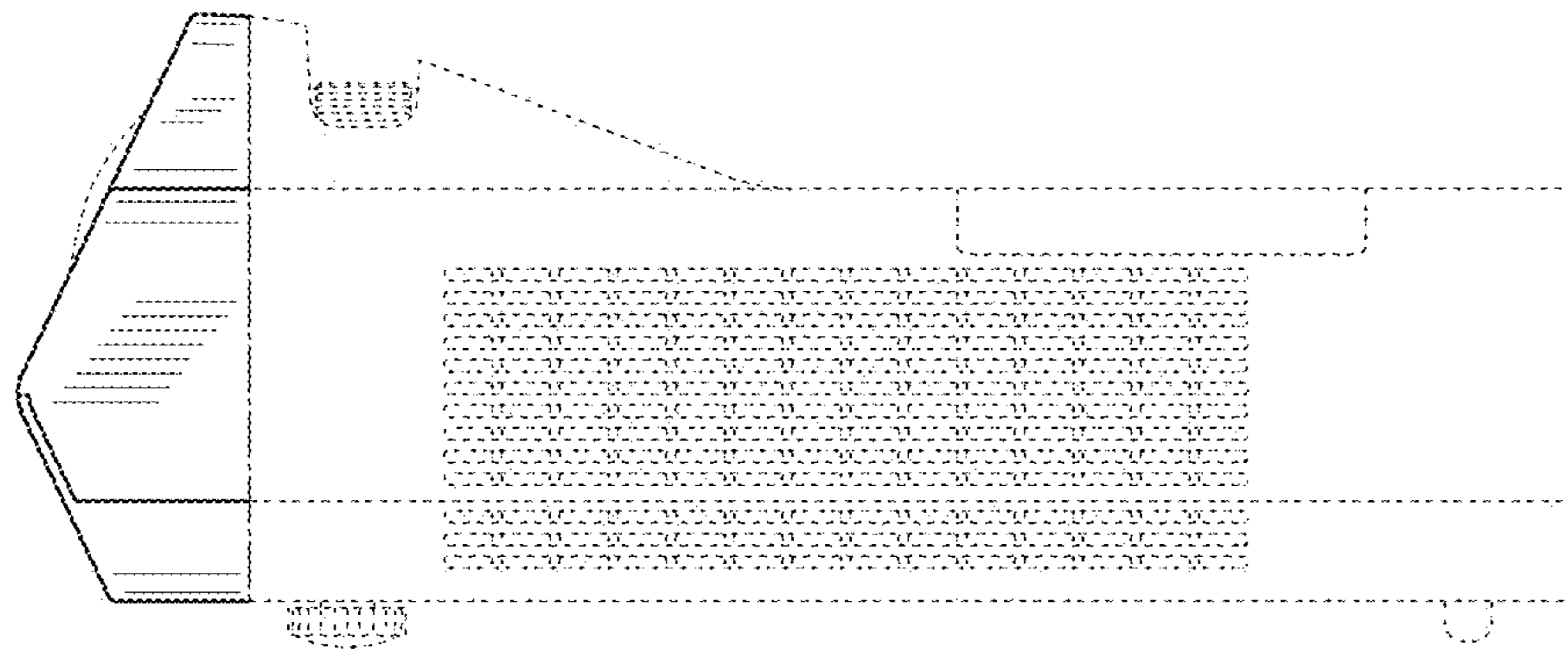


FIG. 7

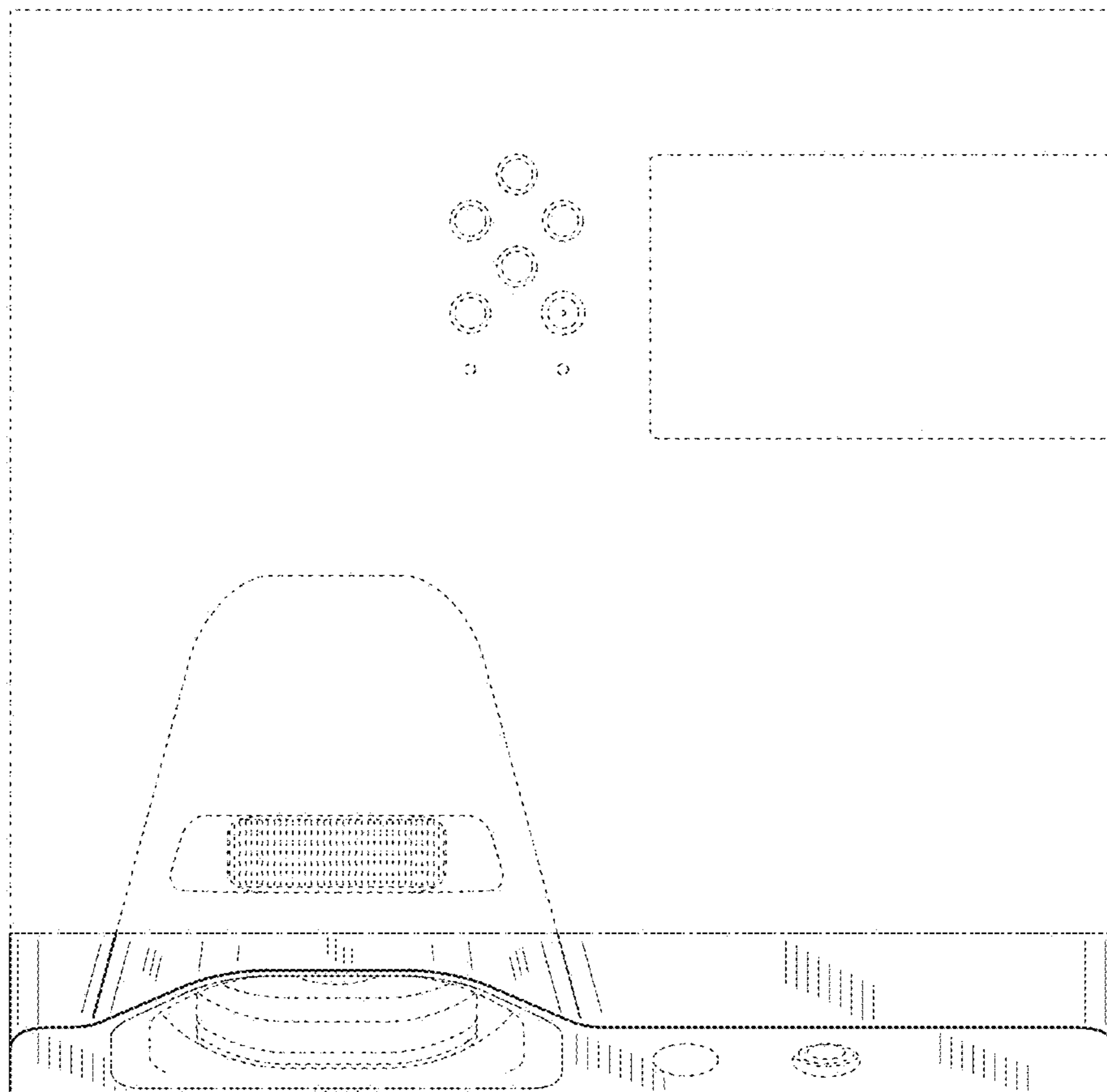




FIG. 8

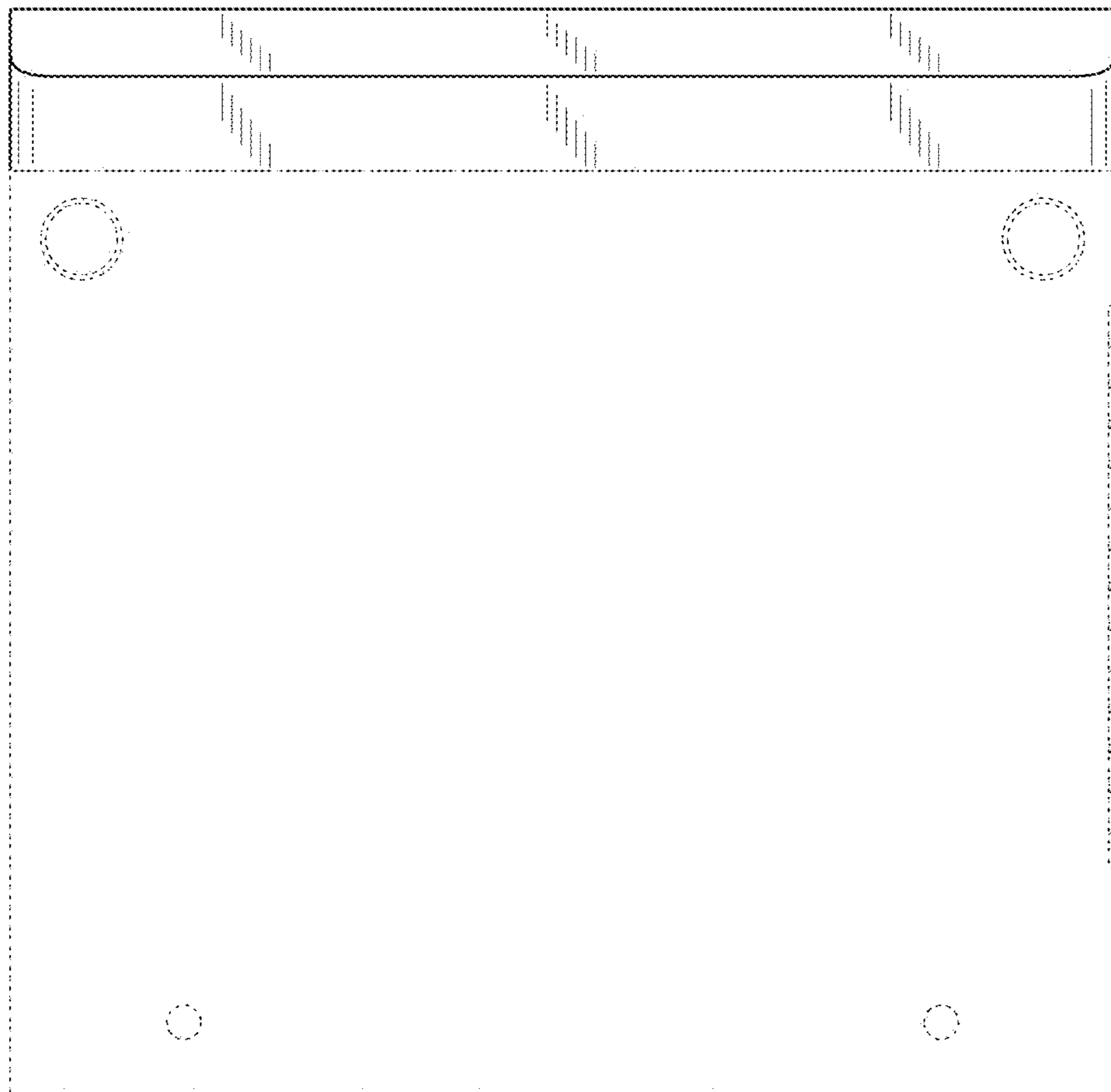


FIG. 9

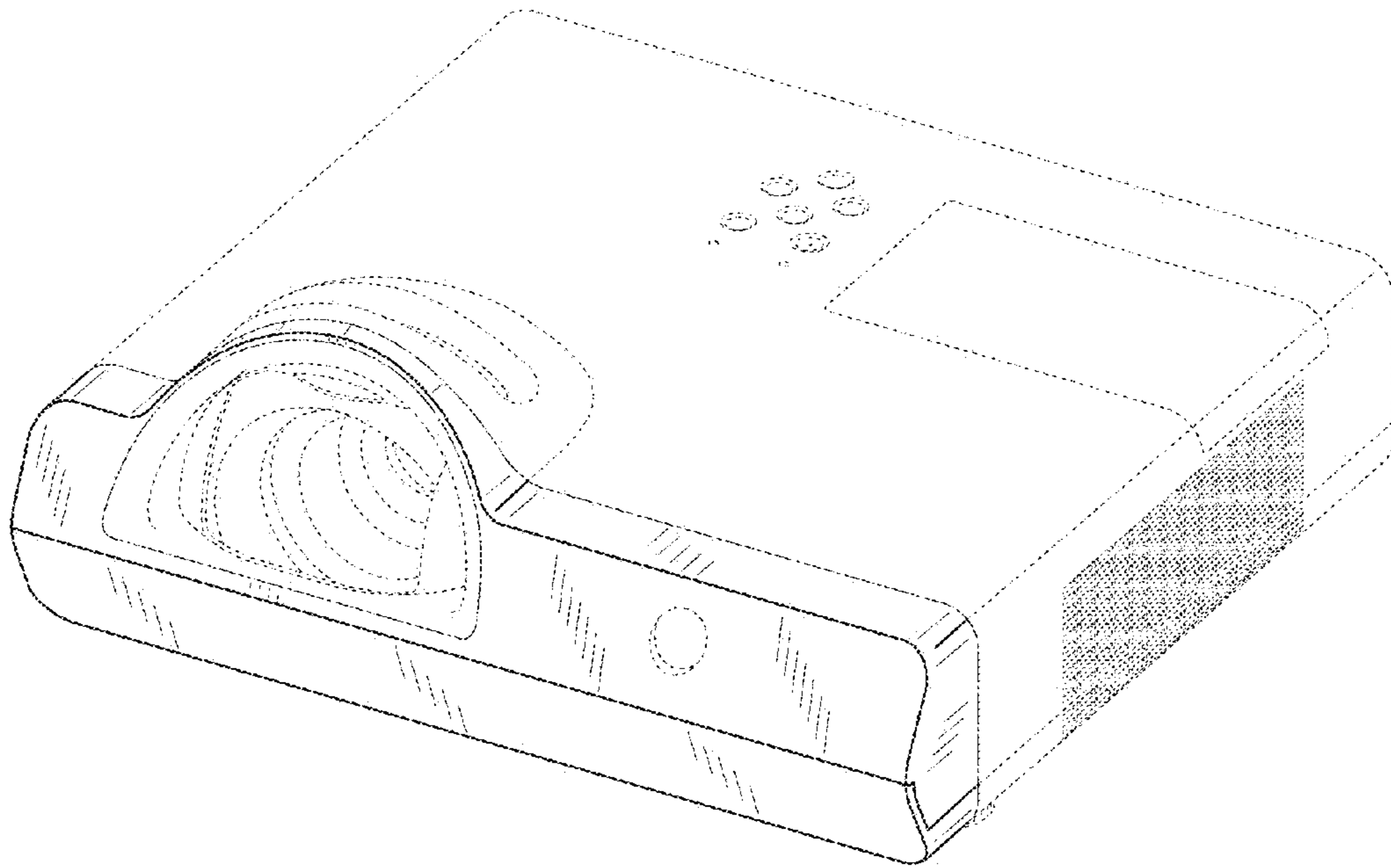


FIG. 10

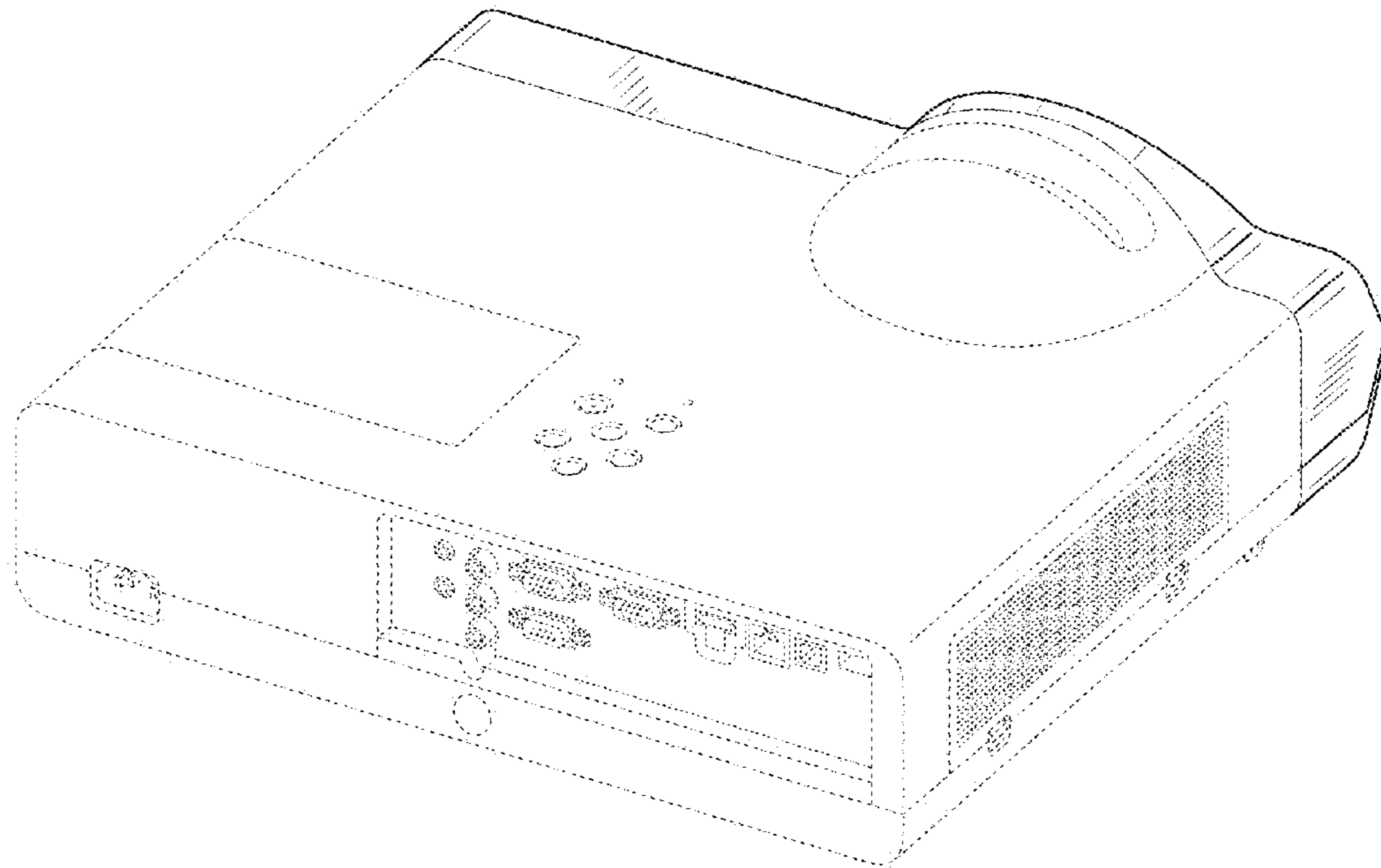


FIG. 11

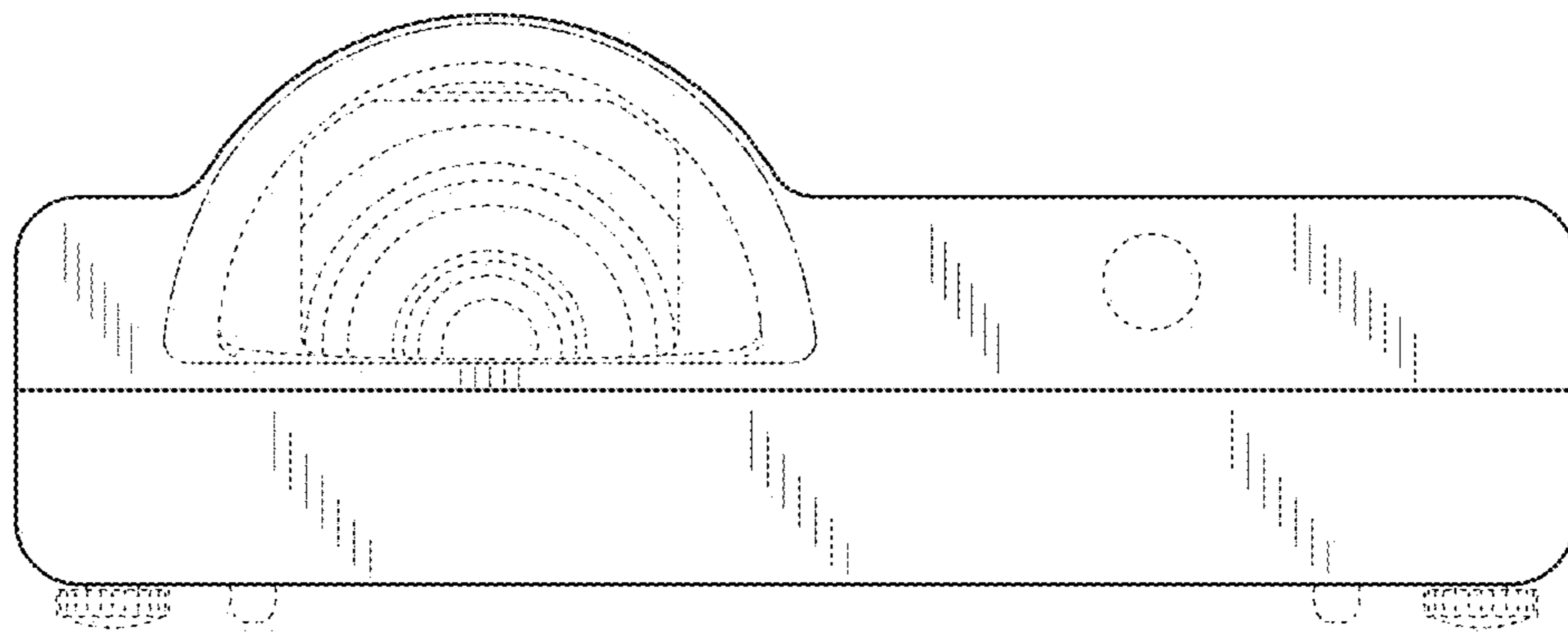


FIG. 12

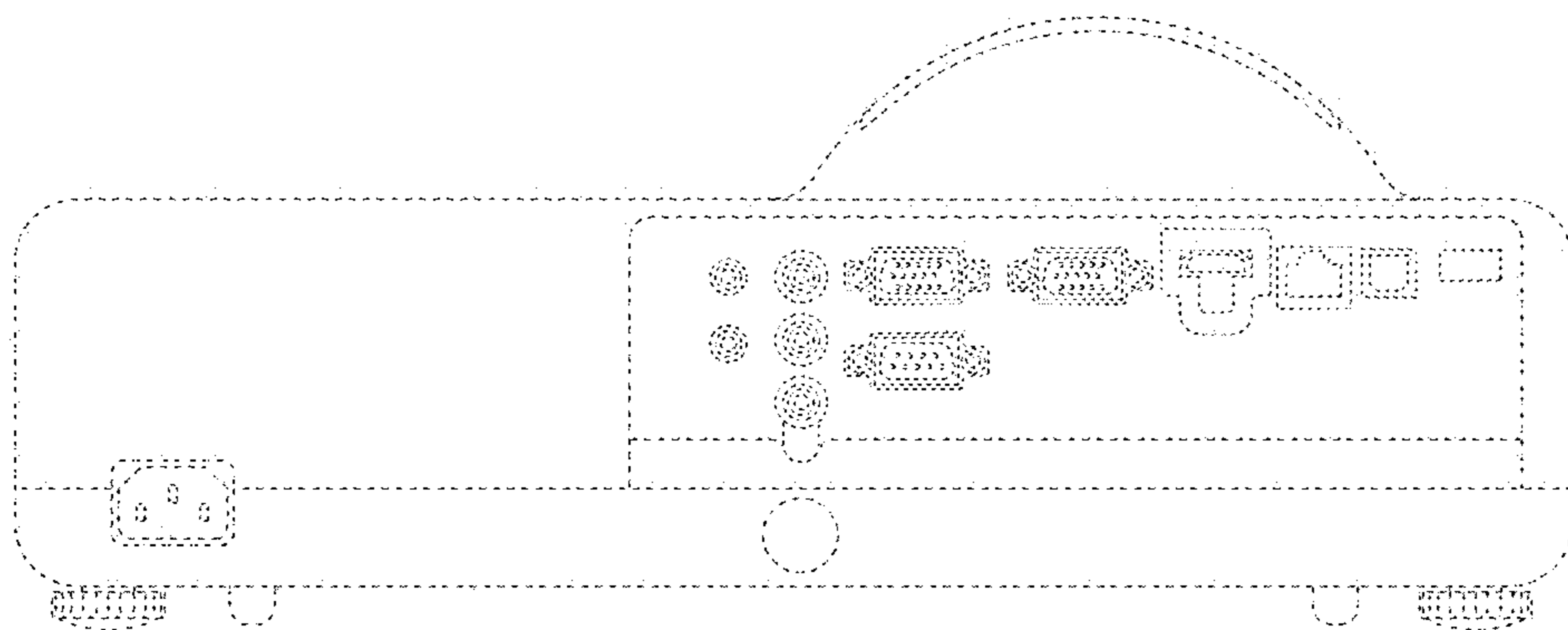


FIG. 13

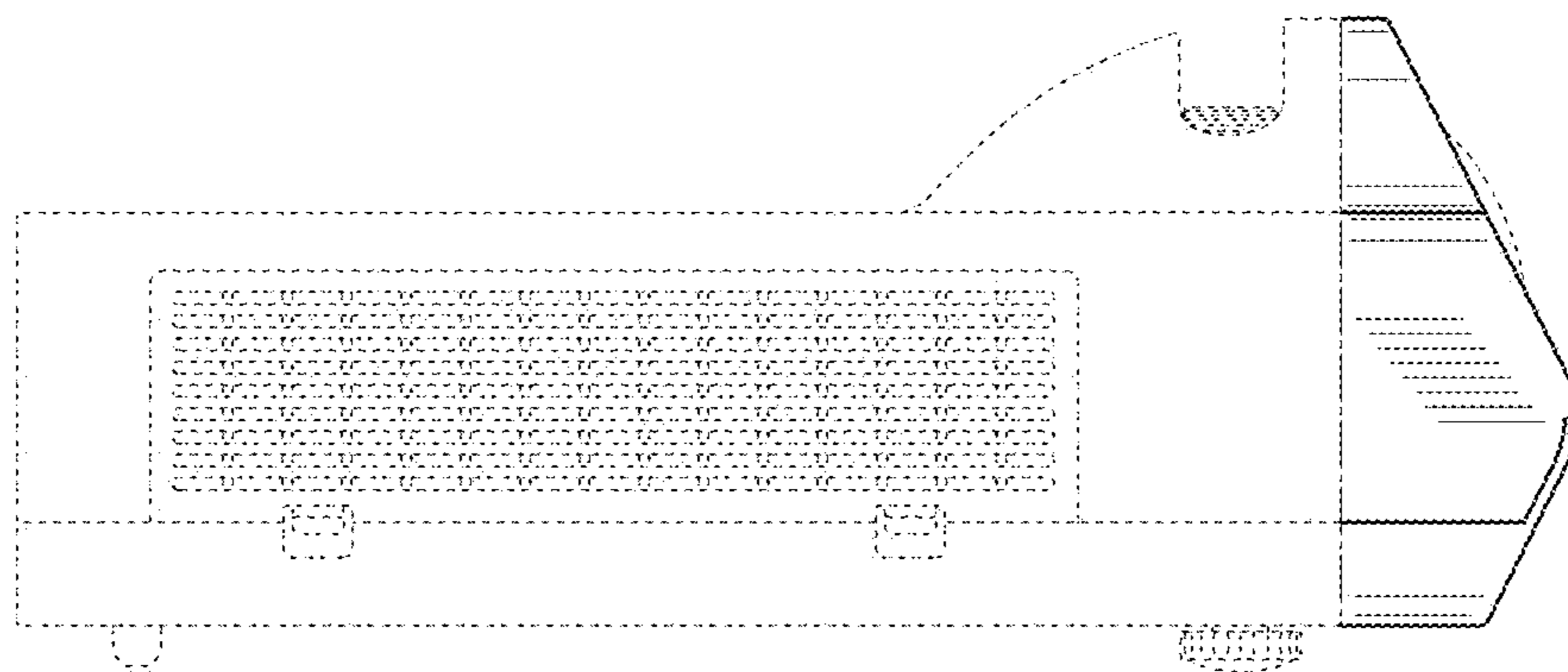


FIG. 14

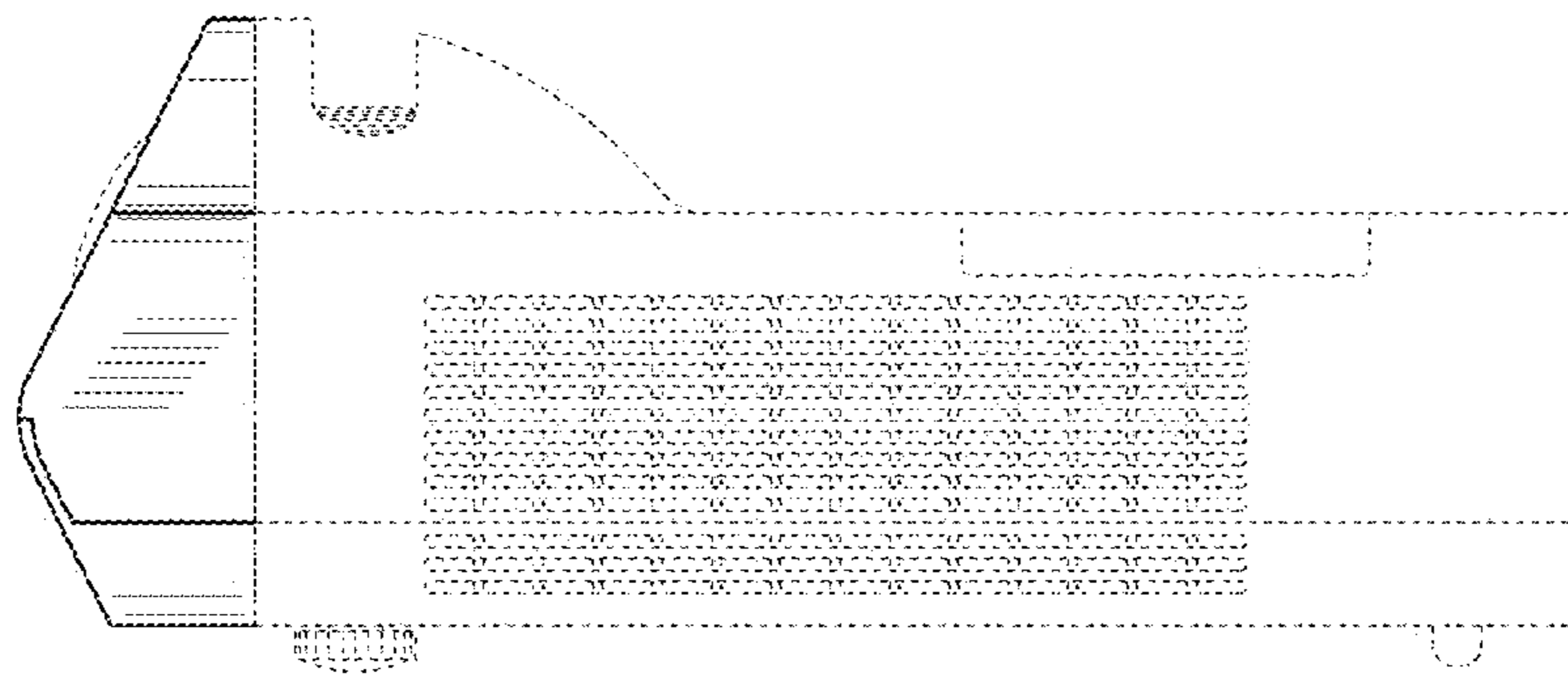


FIG. 15

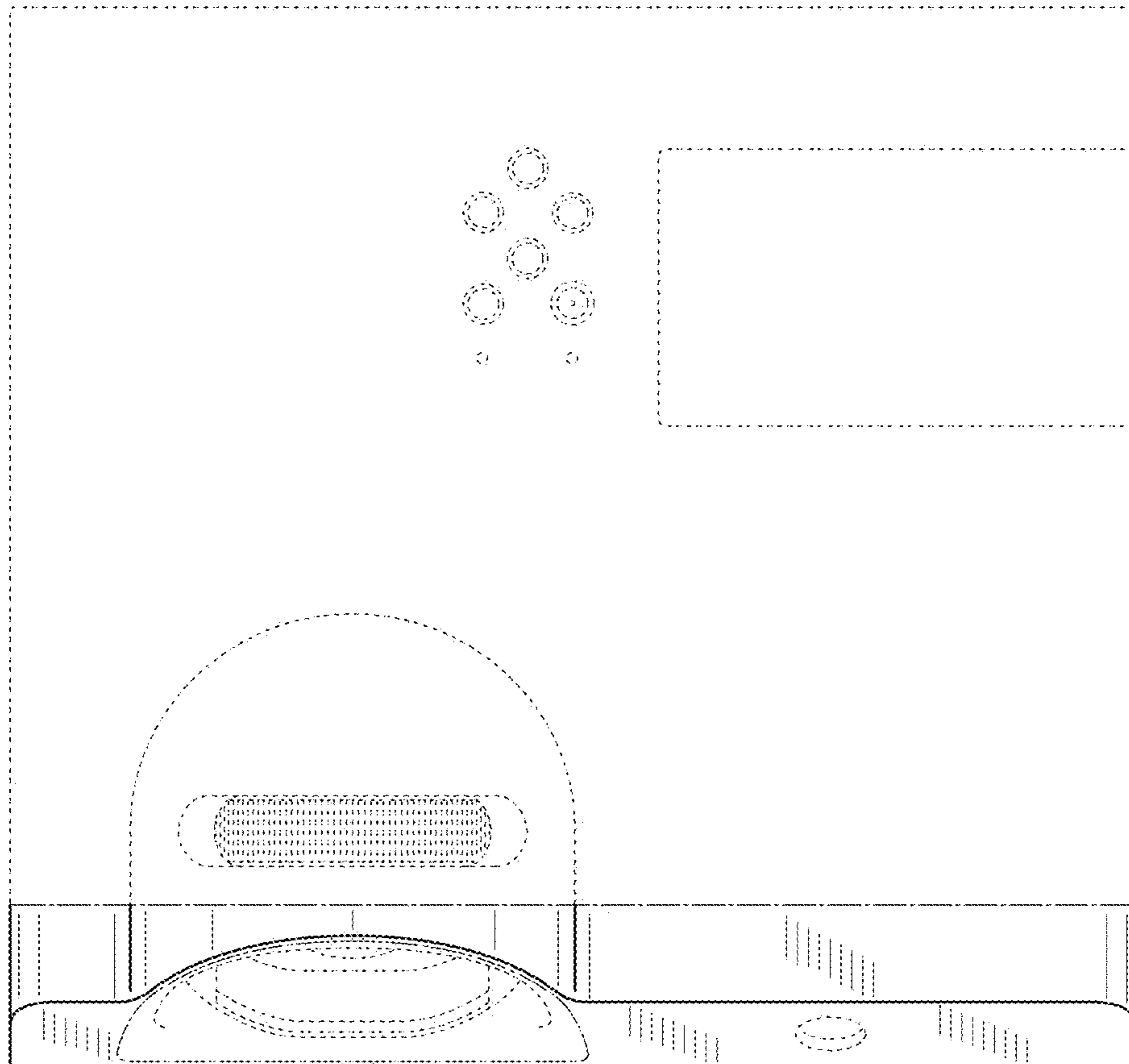




FIG. 16

