



US00D730426S

(12) **United States Design Patent**
DeVries et al.

(10) **Patent No.:** **US D730,426 S**

(45) **Date of Patent:** **** May 26, 2015**

- (54) **PROJECTOR MOUNT**
- (71) Applicant: **Steelcase Inc.**, Grand Rapids, MI (US)
- (72) Inventors: **Timothy Scott DeVries**, Hudsonville, MI (US); **Allen Curtis Hager**, Grand Rapids, MI (US); **Shawn Kerstan Littrell**, Grand Rapids, MI (US)
- (73) Assignee: **Steelcase Inc.**, Grand Rapids, MI (US)
- (**) Term: **14 Years**
- (21) Appl. No.: **29/488,066**
- (22) Filed: **Apr. 15, 2014**

6,811,265	B2	11/2004	Soper et al.	
D500,478	S	1/2005	Bivona	
6,851,226	B2	2/2005	MacGregor et al.	
6,929,371	B2	8/2005	Saito	
6,952,887	B2	10/2005	Muchnik	
7,077,373	B1	7/2006	Hoebener et al.	
7,192,142	B2	3/2007	Yang et al.	
7,230,611	B2	6/2007	Bischoff	
7,272,892	B2	9/2007	Chung	
7,345,870	B2	3/2008	Shin	
7,497,028	B2	3/2009	Nevers et al.	
D598,945	S	8/2009	Gillespie	
8,128,241	B2	3/2012	Bishop	
8,615,947	B2 *	12/2013	Underkofler et al.	248/317
8,651,672	B2 *	2/2014	Otsuka	353/119
D716,363	S *	10/2014	Apter	D16/245
8,919,966	B2 *	12/2014	Falendysz et al.	353/119
2005/0035253	A1	2/2005	Rixom	
2009/0173856	A1	7/2009	Auger et al.	
2010/0045943	A1	2/2010	Gillespie	
2011/0051099	A1	3/2011	Chen et al.	
2011/0163212	A1	7/2011	Bouissiere et al.	
2012/0032046	A1	2/2012	Lee	

Related U.S. Application Data

- (62) Division of application No. 29/432,536, filed on Sep. 17, 2012, now Pat. No. Des. 707,281.
- (51) **LOC (10) Cl.** **16-02**
- (52) **U.S. Cl.**
USPC **D16/235**
- (58) **Field of Classification Search**
USPC D16/235, 242, 244-245; D8/349, 354;
D6/513; D14/128-129, 224, 229;
33/613; 248/176.1, 124.1, 298.1, 317,
248/344, 917
See application file for complete search history.

* cited by examiner

Primary Examiner — Wan Laymon

(74) *Attorney, Agent, or Firm* — Price Heneveld LLP

(57) **CLAIM**

The ornamental design for a projector mount, as shown and described.

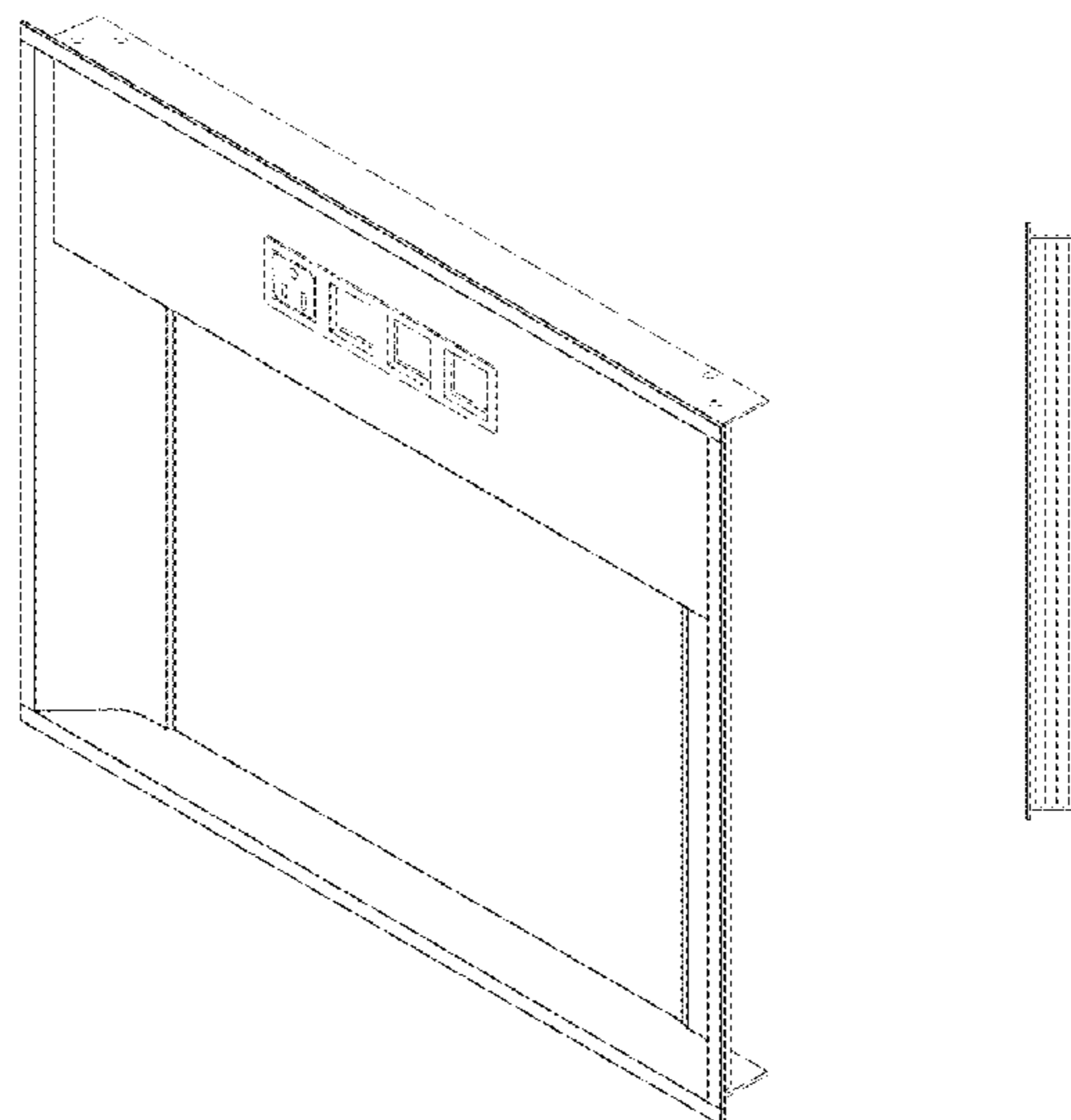
DESCRIPTION

FIG. 1 is an isometric view of a projector mount, according to our new design;
 FIG. 2 is an isometric view;
 FIG. 3 is a front elevational view;
 FIG. 4 is a rear elevational view;
 FIG. 5 is a left-hand side elevational view;
 FIG. 6 is a right-hand side elevational view;
 FIG. 7 is a top plan view; and,
 FIG. 8 is a bottom plan view.

1 Claim, 4 Drawing Sheets

(56) **References Cited**
 U.S. PATENT DOCUMENTS

3,609,346	A	9/1971	Lund et al.
4,160,999	A	7/1979	Claggett
4,750,832	A	6/1988	Lloyd, Sr. et al.
5,394,209	A	2/1995	Stiepel et al.
5,490,655	A	2/1996	Bates
6,379,012	B1	4/2002	Enochs et al.
6,655,813	B1	12/2003	Ng
6,803,962	B1	10/2004	Elberbaum et al.



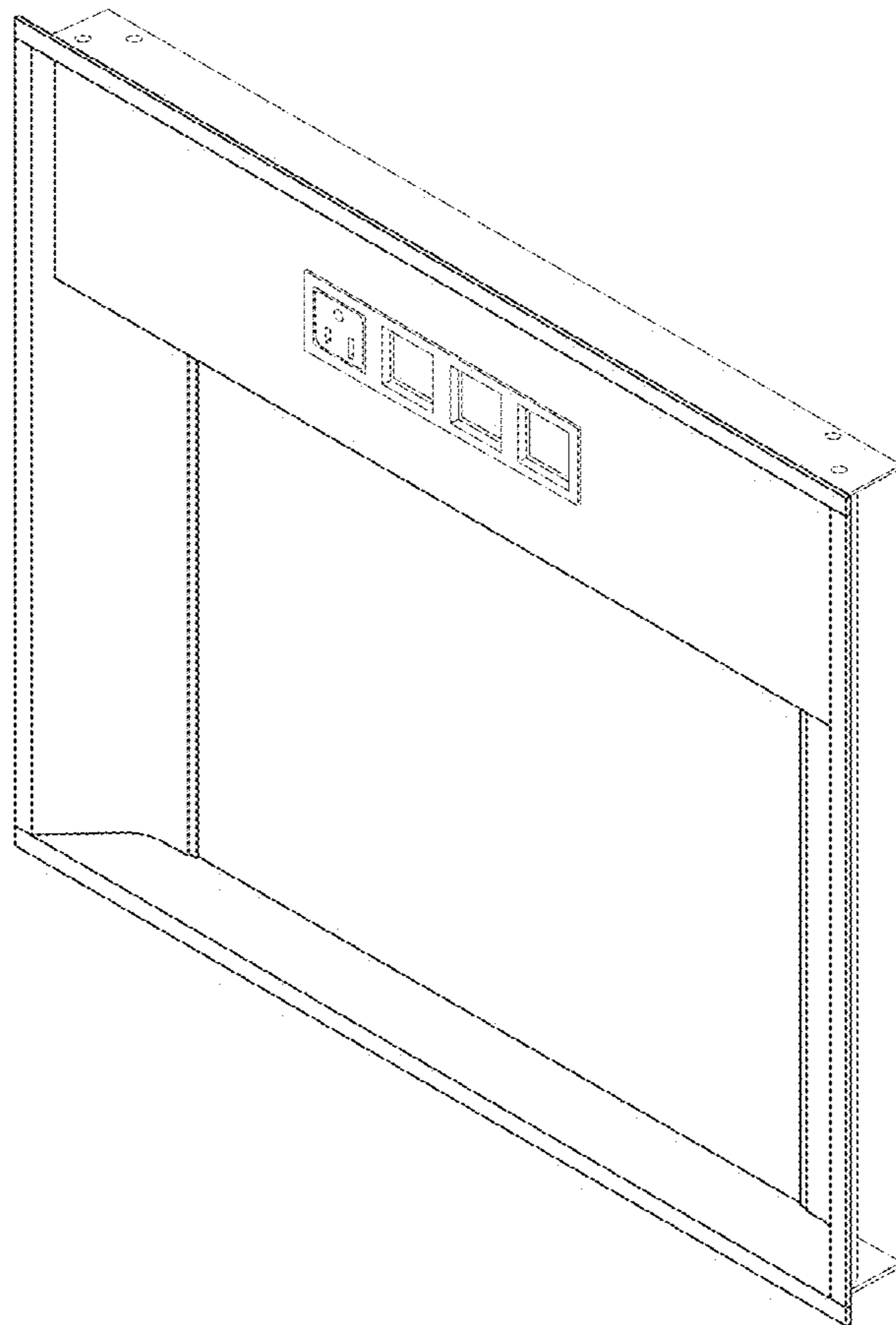


Fig. 1

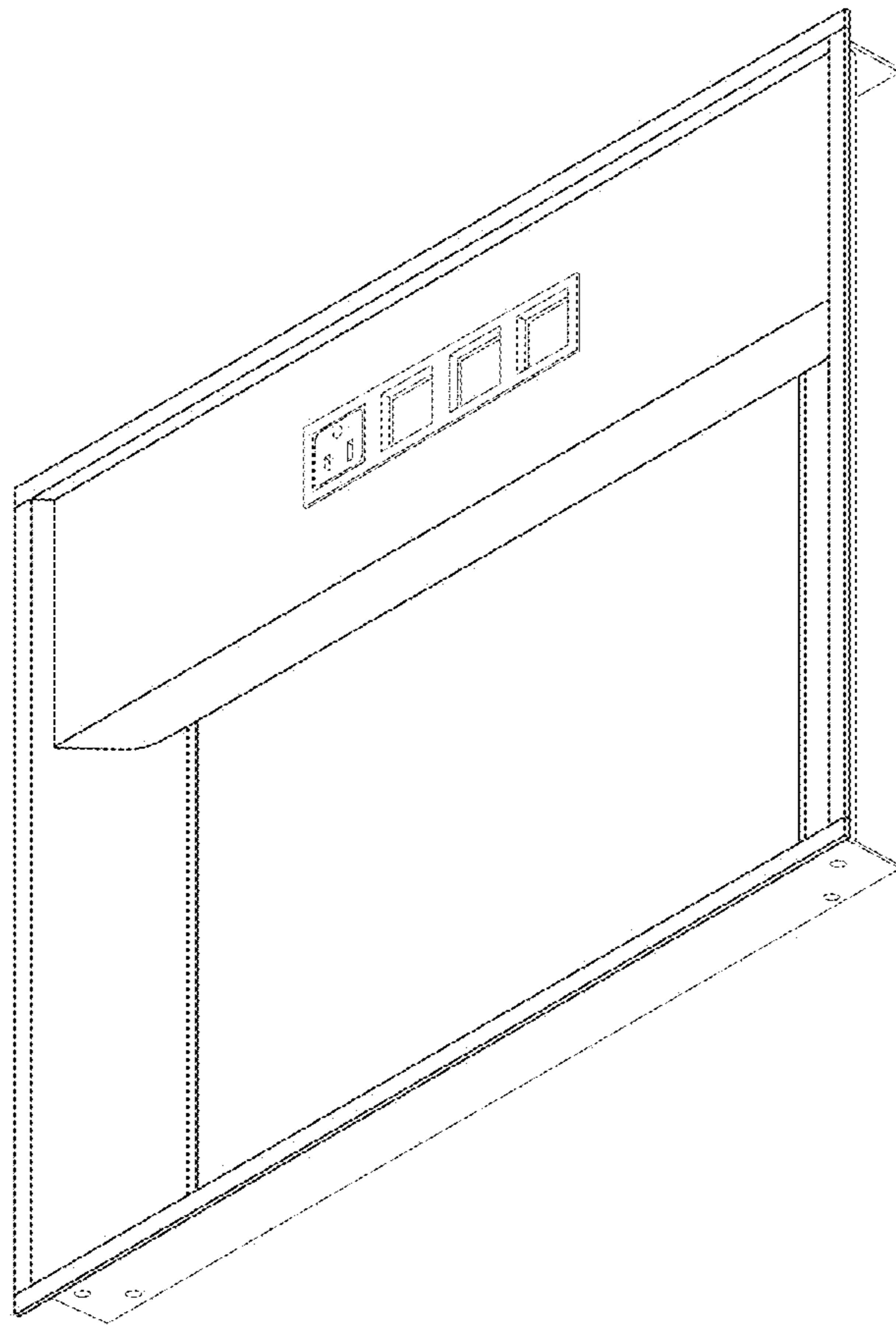


Fig. 2

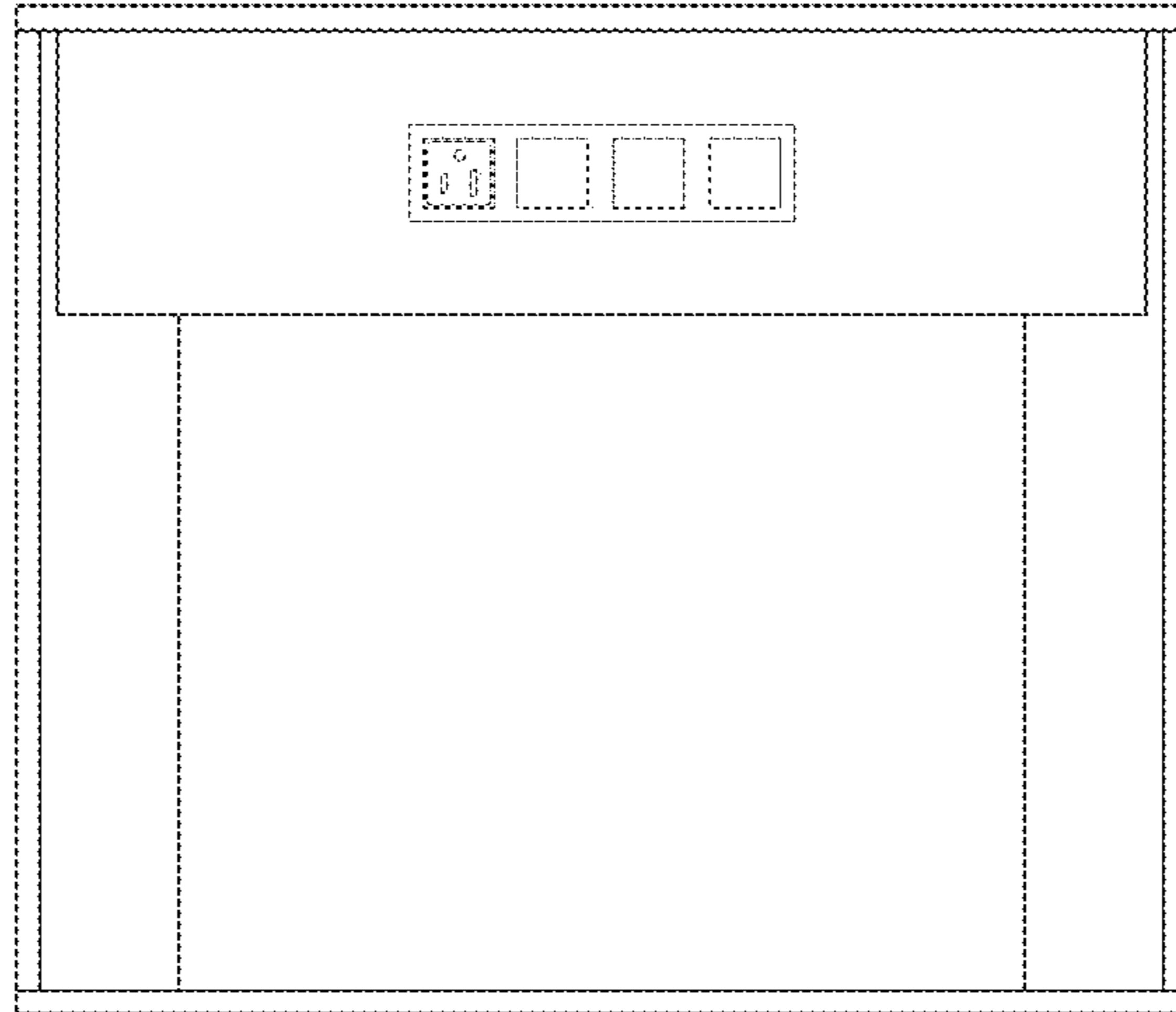


Fig. 3

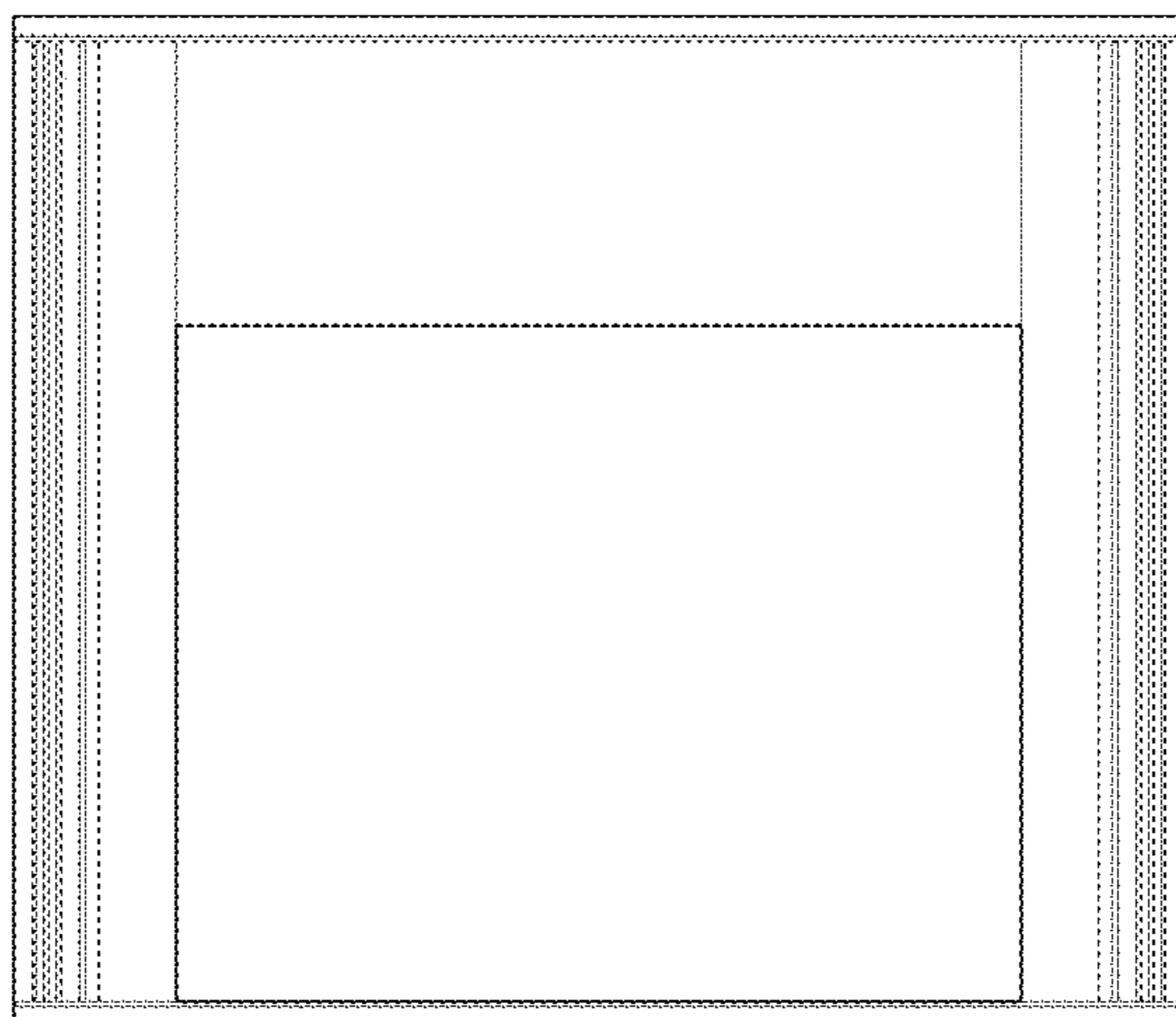


Fig. 4

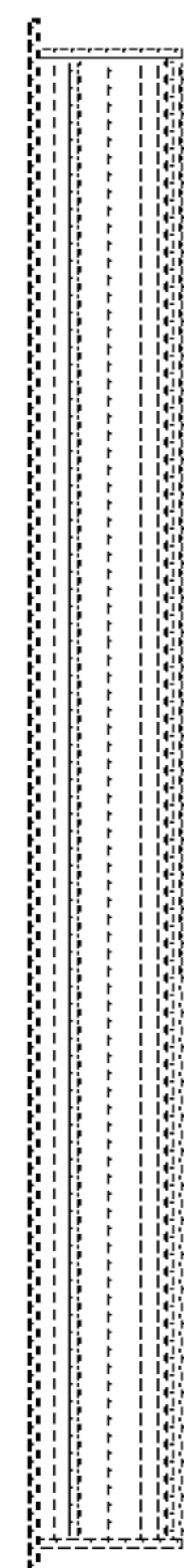


Fig. 5

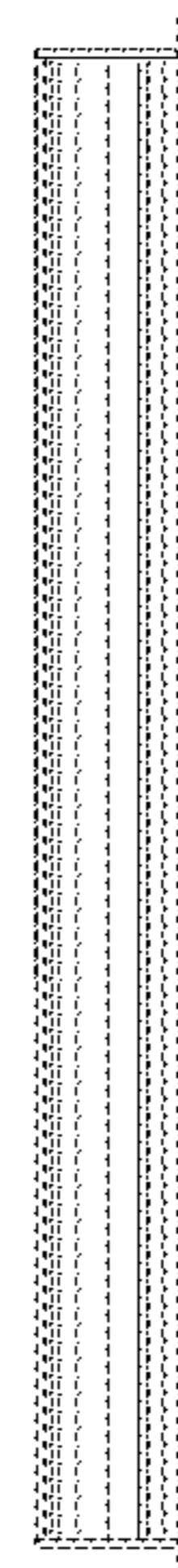


Fig. 6

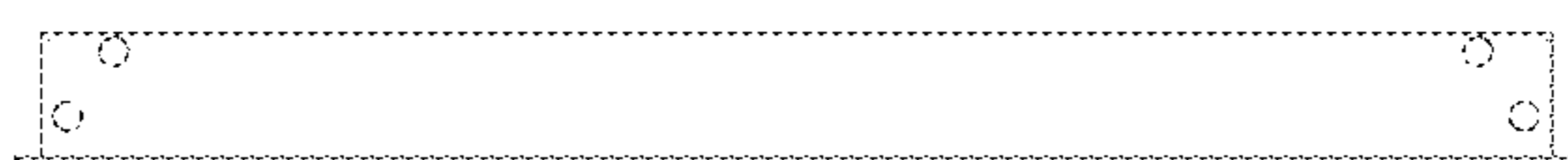


Fig. 7

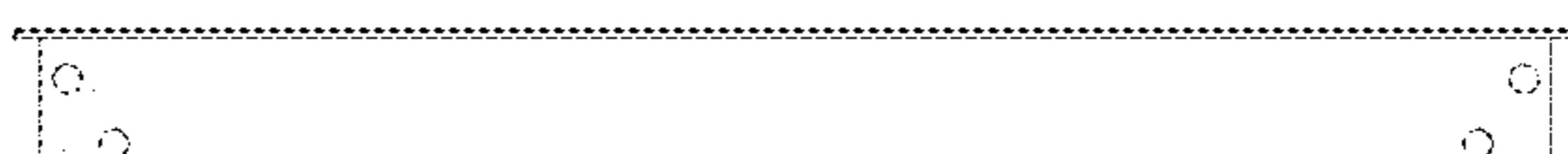


Fig. 8