



US00D730424S

(12) **United States Design Patent**
Sakai

(10) **Patent No.:** **US D730,424 S**

(45) **Date of Patent:** **** May 26, 2015**

(54) **ELECTRONIC CAMERA**

D703,256 S * 4/2014 Sakai D16/219
D706,331 S * 6/2014 Sakai D16/219
D706,851 S * 6/2014 Sakai D16/202

(71) Applicant: **FUJIFILM Corporation**, Minato-ku,
Tokyo (JP)

FOREIGN PATENT DOCUMENTS

(72) Inventor: **Masayuki Sakai**, Saitama (JP)

JP 1433485 S 2/2012

(73) Assignee: **FUJIFILM Corporation**, Tokyo (JP)

OTHER PUBLICATIONS

(**) Term: **14 Years**

Decision of Refusal, dated Jun. 26, 2013, issued in corresponding JP Application No. 2012-020773, 4 pages in English and Japanese.
Notification of Reasons for Refusal, dated Jan. 30, 2013, issued in corresponding JP Application No. 2012-020773, 4 pages in English and Japanese.

(21) Appl. No.: **29/443,974**

(22) Filed: **Jan. 24, 2013**

* cited by examiner

(30) **Foreign Application Priority Data**

Aug. 29, 2012 (JP) 2012-020773

(51) **LOC (10) Cl.** **16-05**

(52) **U.S. Cl.**
USPC **D16/219**

(58) **Field of Classification Search**
CPC G03B 15/03; G03B 17/02; G03B 17/04;
G03B 17/56; G03B 19/04; H04N 5/2251;
H04N 5/2252; H04N 5/2253; H04N 5/2254;
H04N 2101/00
USPC D16/200, 202–206, 208, 217–219;
348/373–376; 396/535, 539–541

See application file for complete search history.

Primary Examiner — Adir Aronovich

Assistant Examiner — Ramzi Almatrahi

(74) *Attorney, Agent, or Firm* — Sughrue Mion, PLLC

(56) **References Cited**

U.S. PATENT DOCUMENTS

D416,271 S * 11/1999 Ikenaga D16/202
D460,097 S * 7/2002 Ohi et al. D16/202
D554,681 S * 11/2007 Ogino et al. D16/202
D557,308 S * 12/2007 Matsuda D16/217
D611,517 S * 3/2010 Yamauchi D16/202
D620,966 S * 8/2010 Chin et al. D16/219
D640,720 S * 6/2011 Yoshii et al. D16/202
D680,149 S * 4/2013 Nakajima D16/219
D702,752 S * 4/2014 Sakai D16/219

(57) **CLAIM**

The ornamental design for a electronic camera, as shown and described.

DESCRIPTION

FIG. 1 is a top, front and right side perspective view of an electronic camera showing my new design;
FIG. 2 is a top, rear and left side perspective view thereof;
FIG. 3 is a front elevational view thereof;
FIG. 4 is a rear elevational view thereof;
FIG. 5 is a top plan view thereof;
FIG. 6 is a bottom plan view thereof;
FIG. 7 is a left side elevational view thereof; and,
FIG. 8 is a right side elevational view thereof.
The broken lines in the drawings are included for the purpose of illustrating environmental subject matter and form no part of the claimed design.

1 Claim, 8 Drawing Sheets

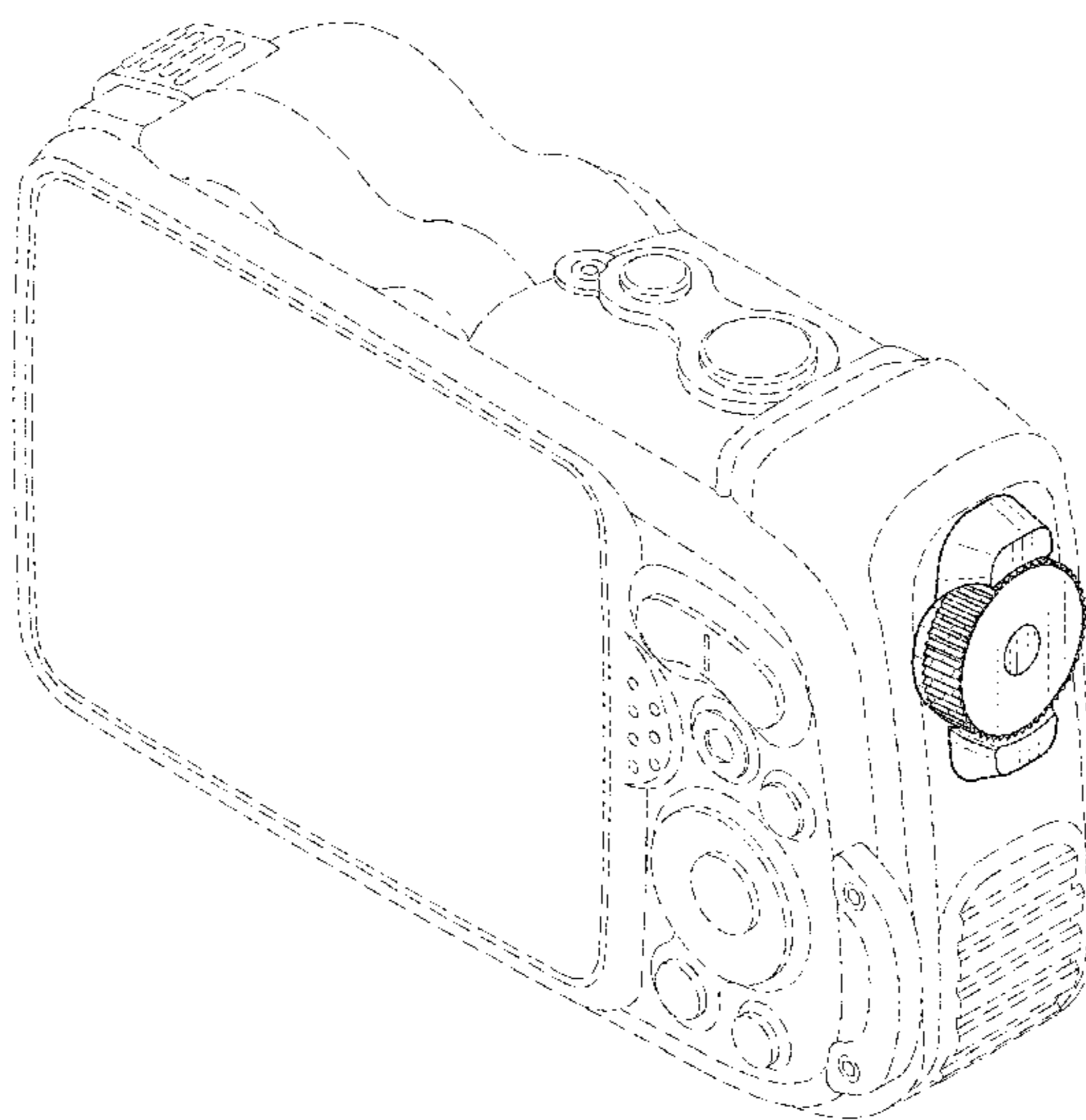


FIG. 1

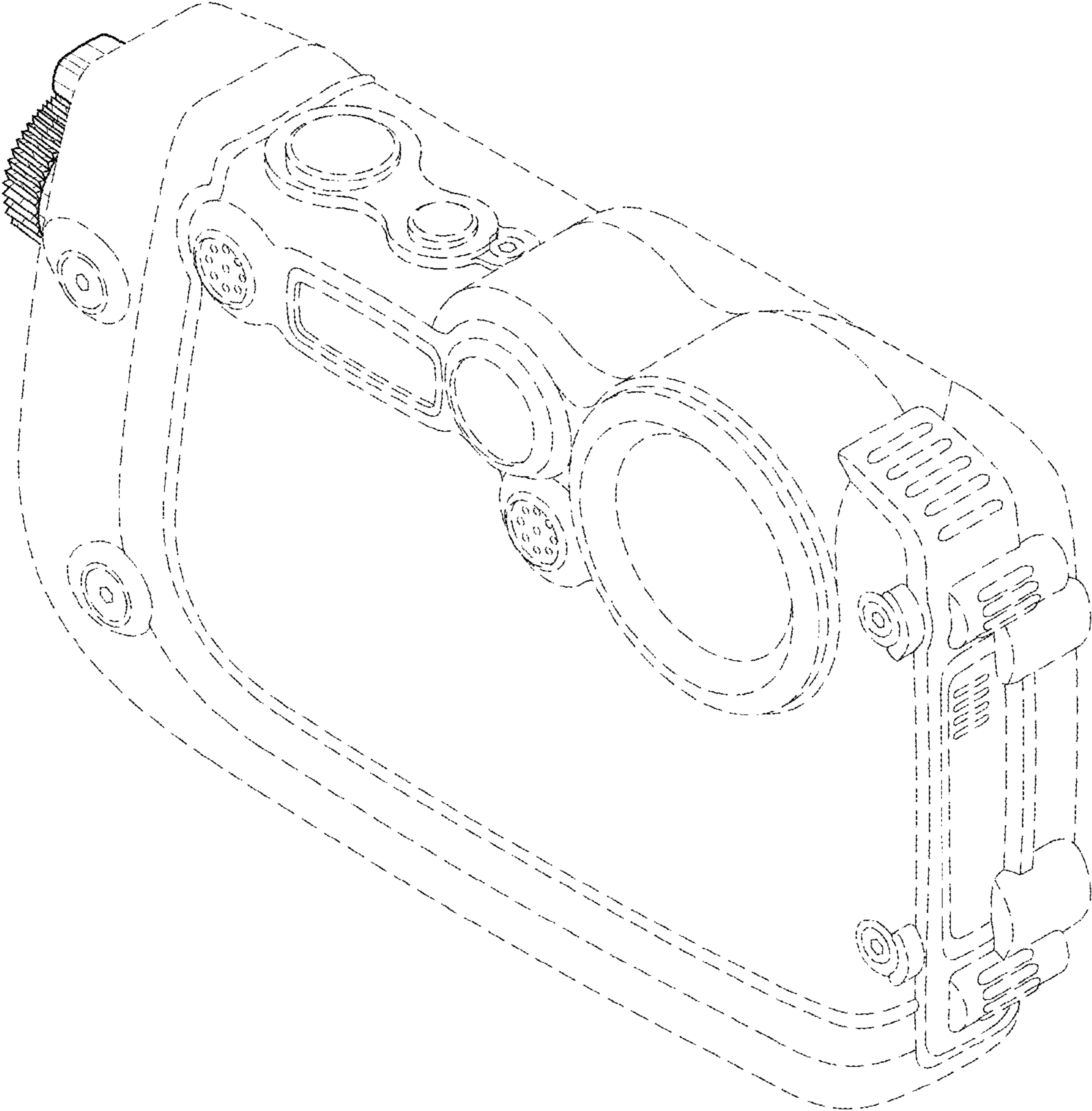


FIG.2

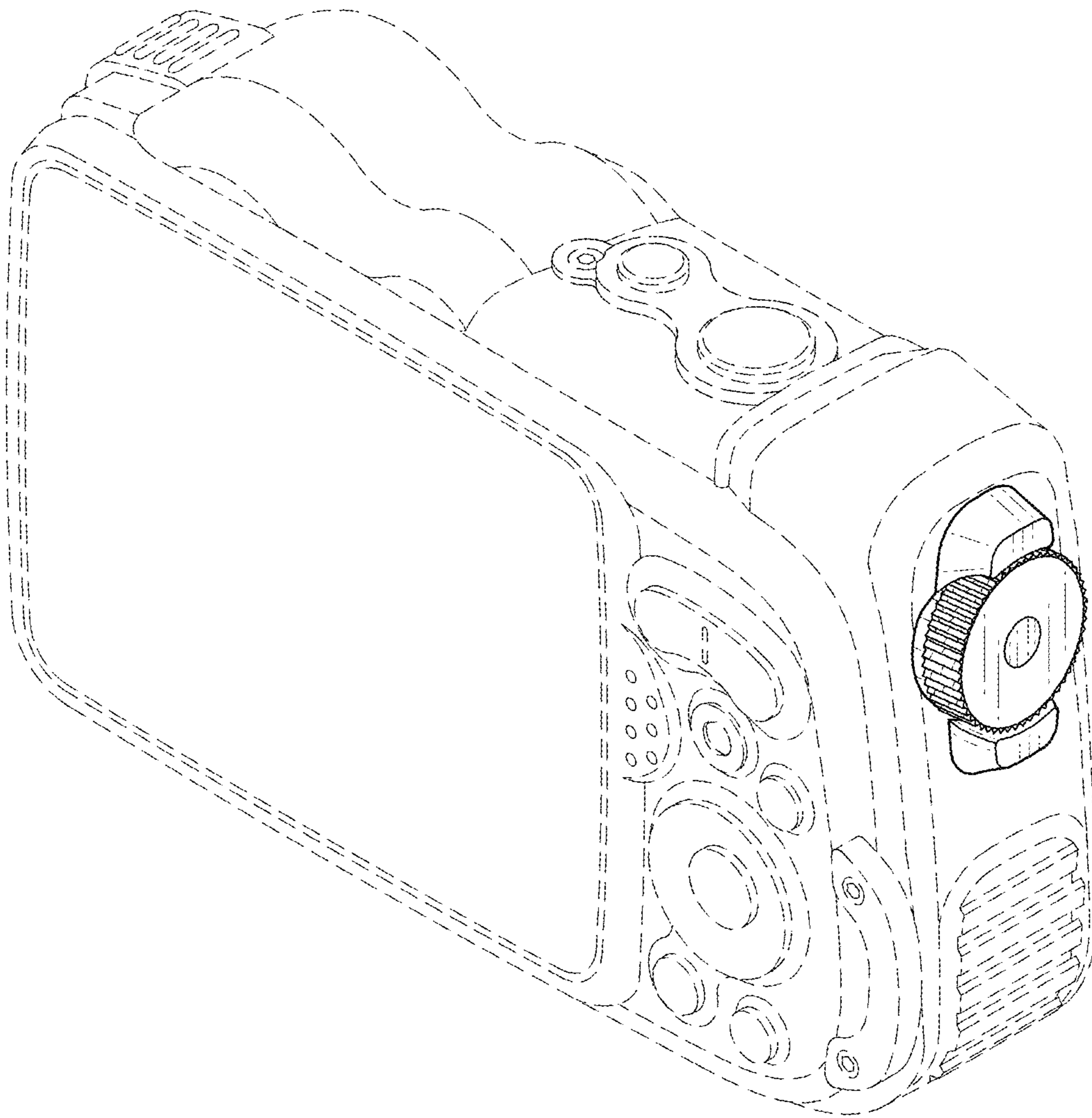


FIG. 3

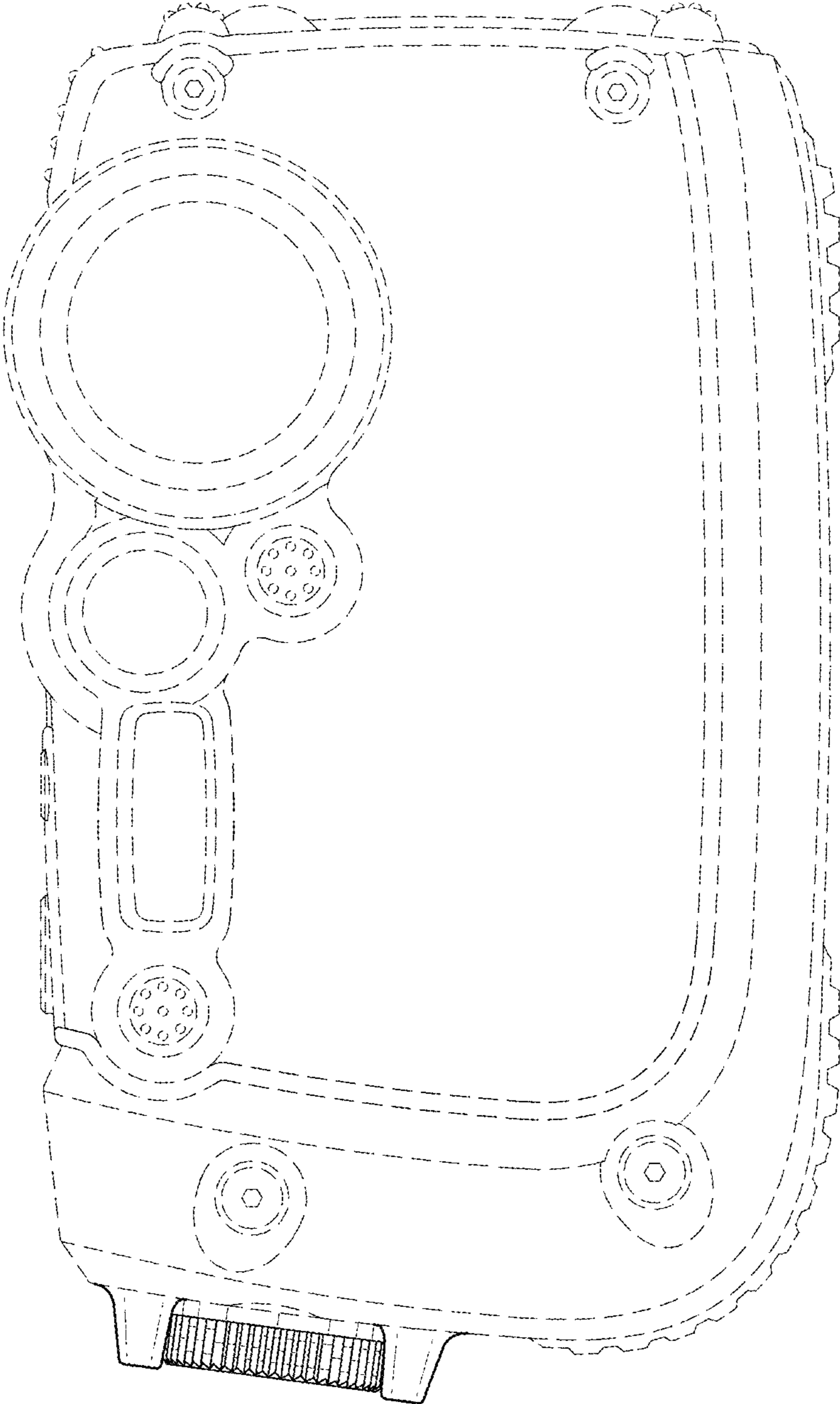


FIG.4

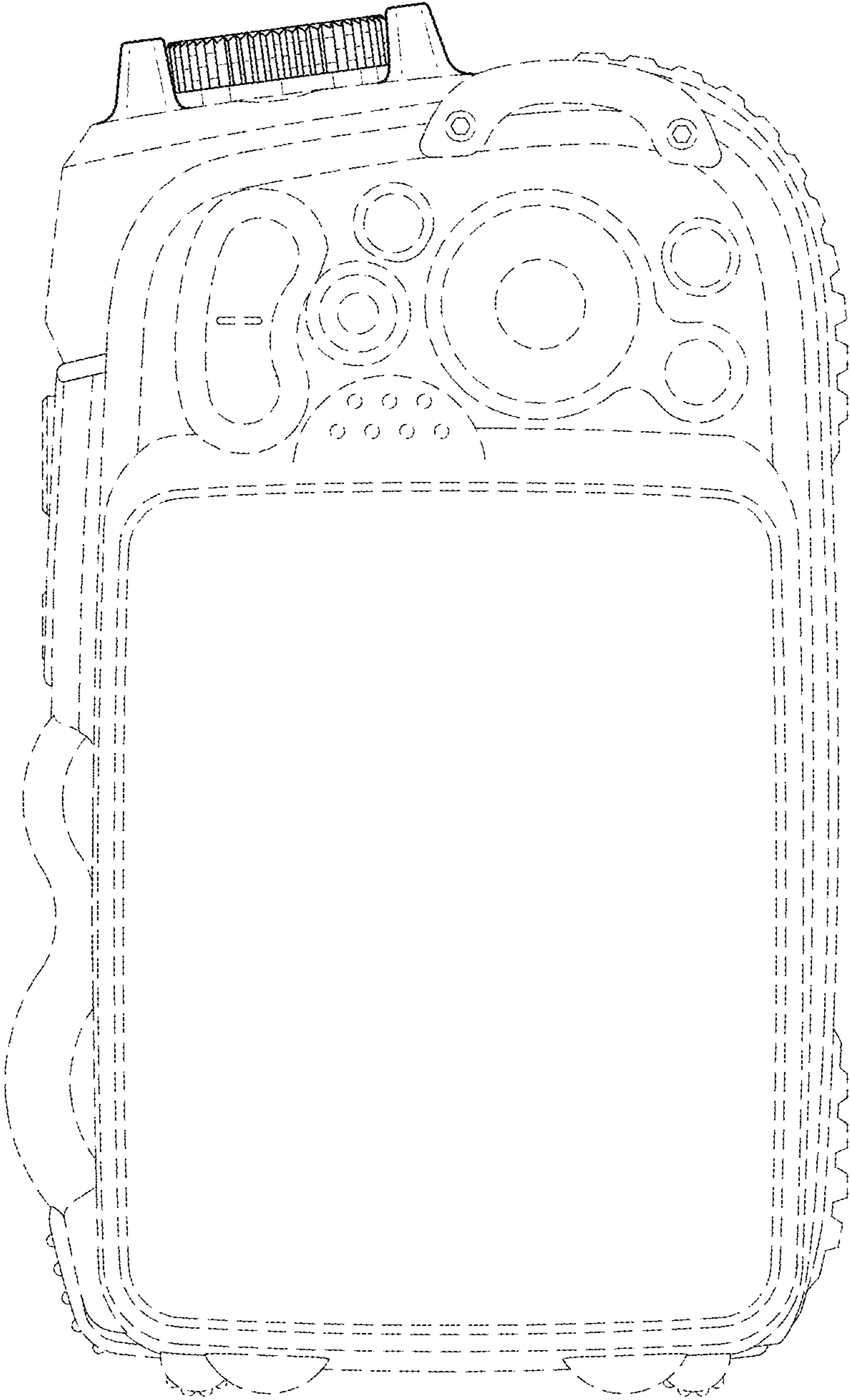


FIG. 5

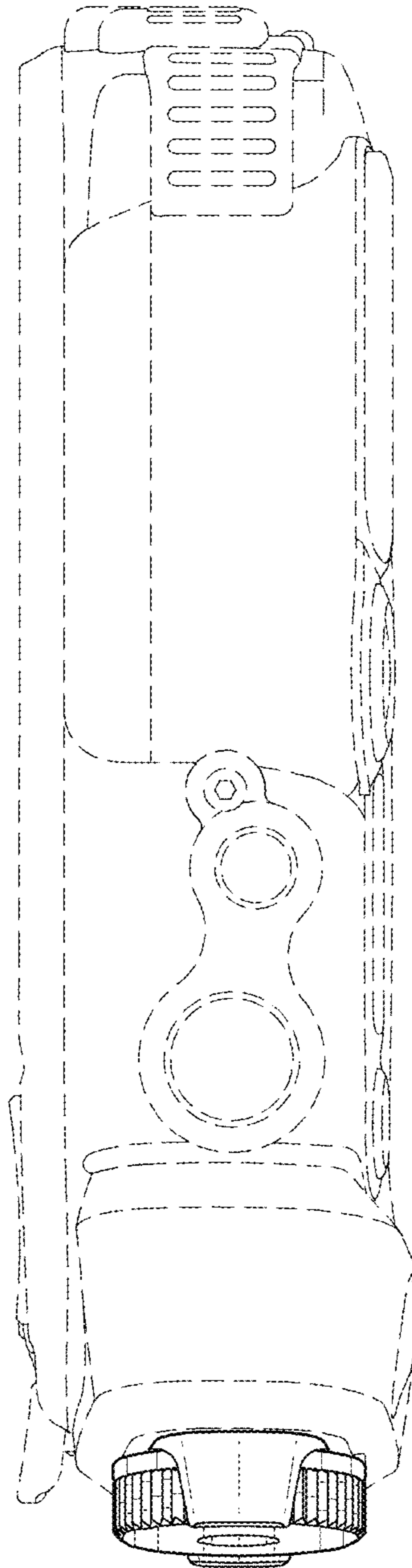


FIG. 6

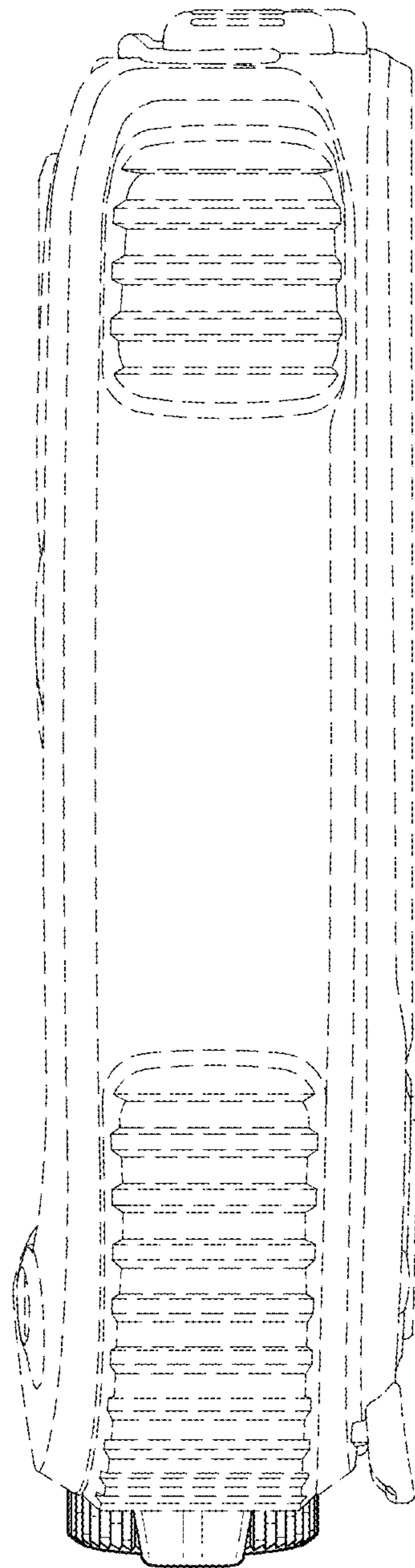


FIG. 7

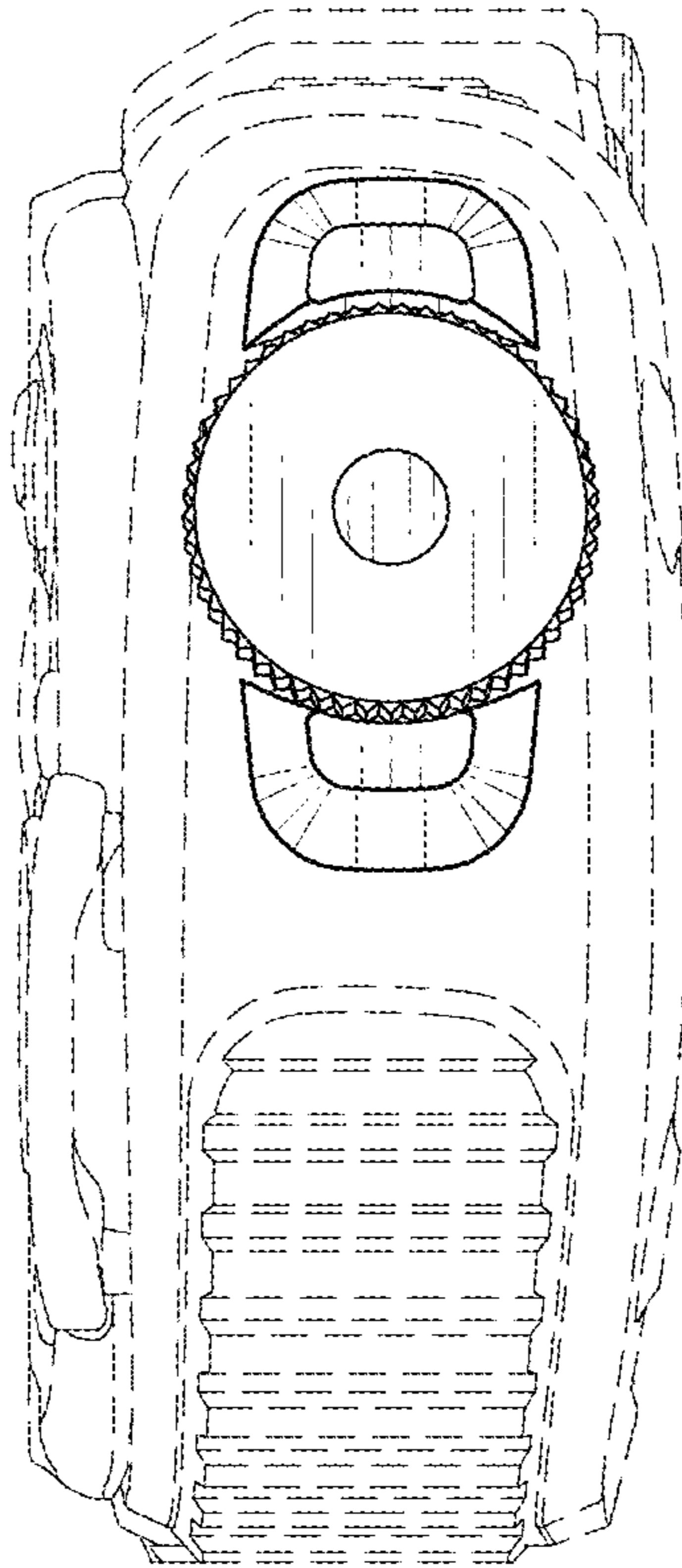


FIG.8

