



US00D730422S

(12) **United States Design Patent**
Kim et al.

(10) **Patent No.:** **US D730,422 S**

(45) **Date of Patent:** **** May 26, 2015**

(54) **CAMERA**

(71) Applicant: **SAMSUNG ELECTRONICS CO., LTD.**, Suwon-si, Gyeonggi-do (KR)

(72) Inventors: **Joo-Hyung Kim**, Busan (KR); **Hideki Ito**, Seoul (KR)

(73) Assignee: **SAMSUNG ELECTRONICS CO., LTD.** (KR)

(**) Term: **14 Years**

(21) Appl. No.: **29/472,974**

(22) Filed: **Nov. 18, 2013**

(30) **Foreign Application Priority Data**

Jun. 17, 2013 (KR) 30-2013-0031107

(51) **LOC (10) Cl.** **16-01**

(52) **U.S. Cl.**
USPC **D16/218**

(58) **Field of Classification Search**

CPC G03B 17/02; G03B 19/04; G03B 17/56;
G03B 17/04; G03B 15/03; G03B 17/14;
H04N 5/2251; H04N 5/2252; H04N 5/2253;
H04N 5/2254; G02B 7/02; G02B 7/04;
G02B 7/14

USPC D16/134, 136, 200, 202–205, 208, 218,
D16/219; 348/36, 335, 373–376; 359/554,
359/826–828; 396/72, 282, 287, 291, 296,
396/529–532, 535, 539–541, 544

See application file for complete search history.

(56) **References Cited**

U.S. PATENT DOCUMENTS

D562,864	S	*	2/2008	Yasutomi	D16/134
D562,865	S	*	2/2008	Yasutomi	D16/134
D566,158	S	*	4/2008	Yasutomi	D16/219
8,265,472	B2	*	9/2012	Masaki	396/72
D693,869	S	*	11/2013	Asano	D16/219
D718,361	S	*	11/2014	Noh	D16/219
D718,362	S	*	11/2014	Noh	D16/219
2010/0284081	A1	*	11/2010	Gutierrez et al.	359/554
2013/0265662	A1	*	10/2013	Araie et al.	359/827
2014/0098278	A1	*	4/2014	Koyama et al.	348/335

* cited by examiner

Primary Examiner — Adir Aronovich

Assistant Examiner — Ramzi Almatrahi

(74) *Attorney, Agent, or Firm* — Cantor Colburn LLP

(57) **CLAIM**

The ornamental design for a camera, as shown and described.

DESCRIPTION

FIG. 1 is a front perspective view of a camera showing our new design;

FIG. 2 is a front elevation view thereof;

FIG. 3 is a rear elevation view thereof;

FIG. 4 is a left-side elevation view thereof;

FIG. 5 is a right-side elevation view thereof;

FIG. 6 is a top plan view thereof;

FIG. 7 is a bottom plan view thereof;

FIG. 8 is a rear perspective view thereof; and,

FIG. 9 is another front perspective view thereof, showing the camera in an environment wherein the camera is combined with a display device.

The broken lines illustrating portions of the camera are for environmental purposes only and form no part of the claimed design.

The shade lines in the figures show contour and not surface ornamentation.

1 Claim, 3 Drawing Sheets

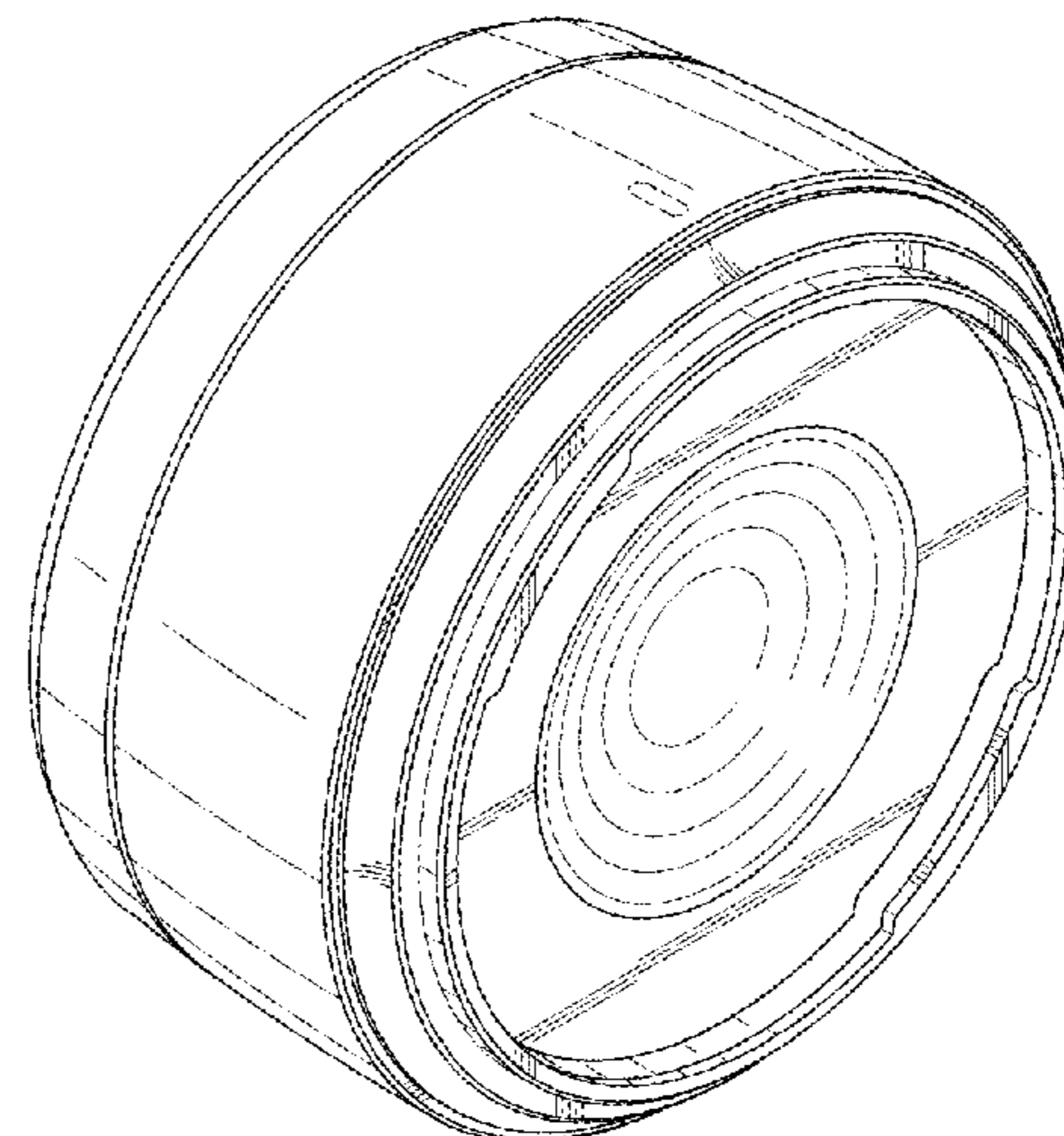
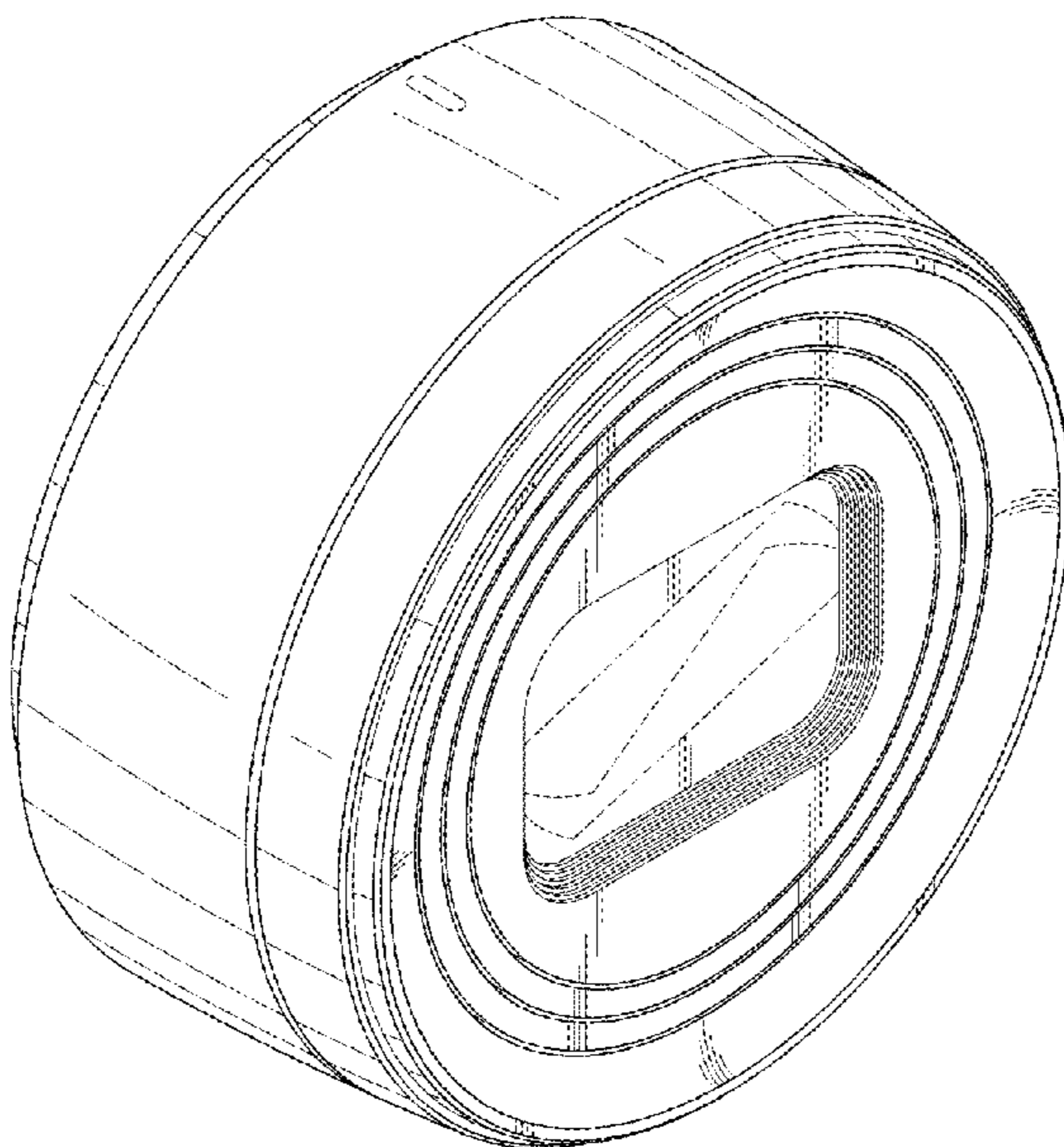


FIG.1

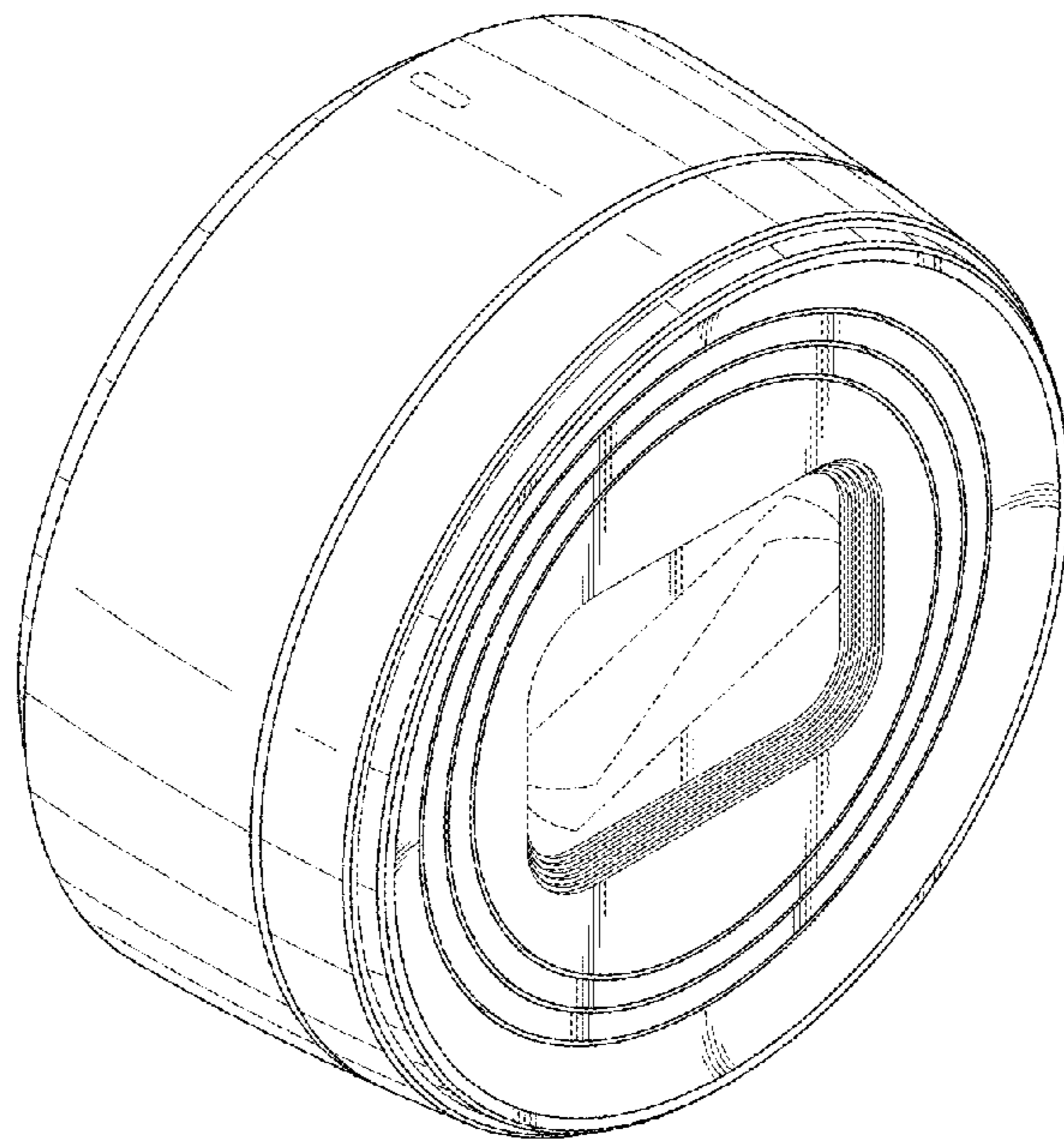


FIG.2

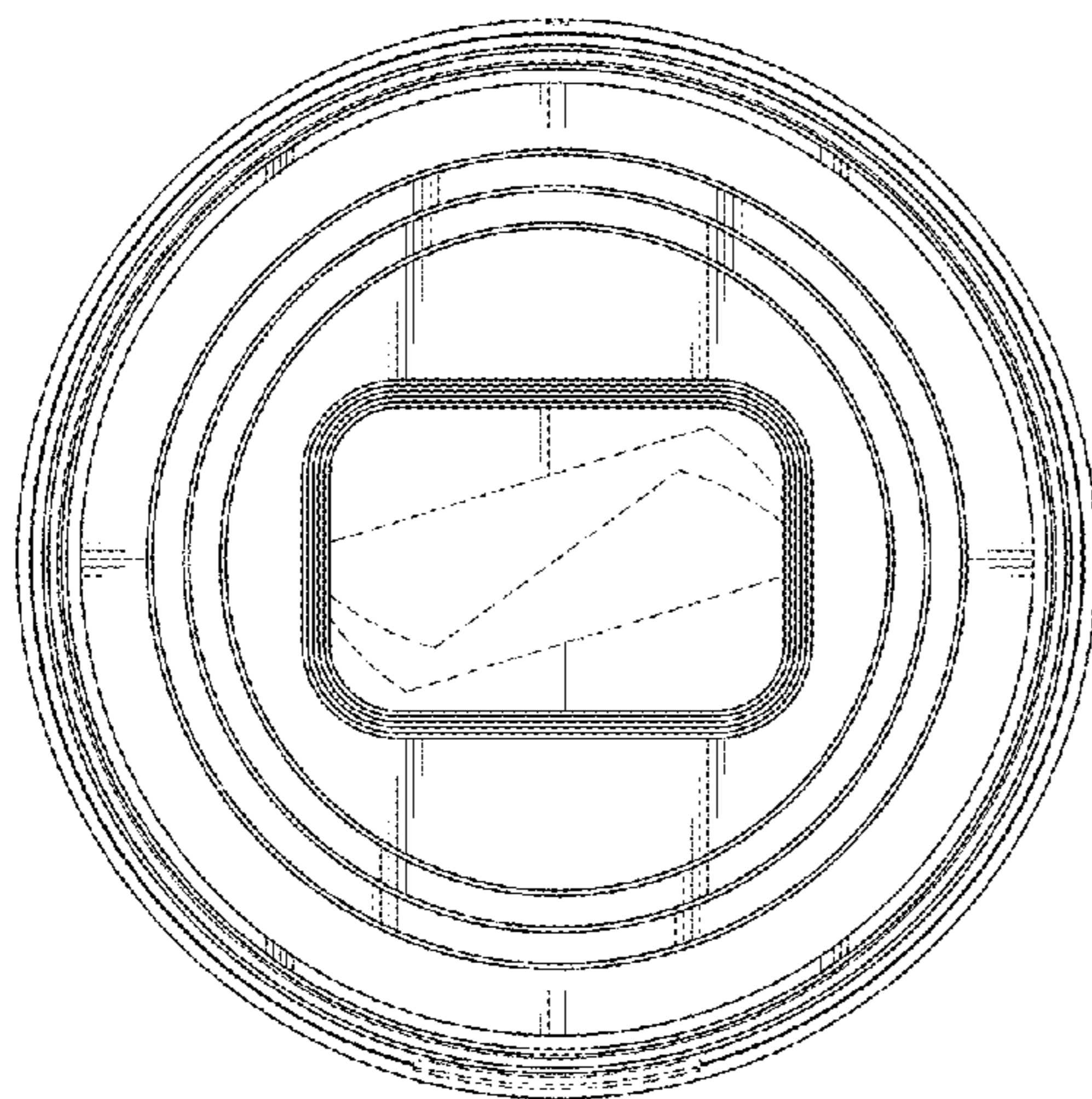


FIG.3

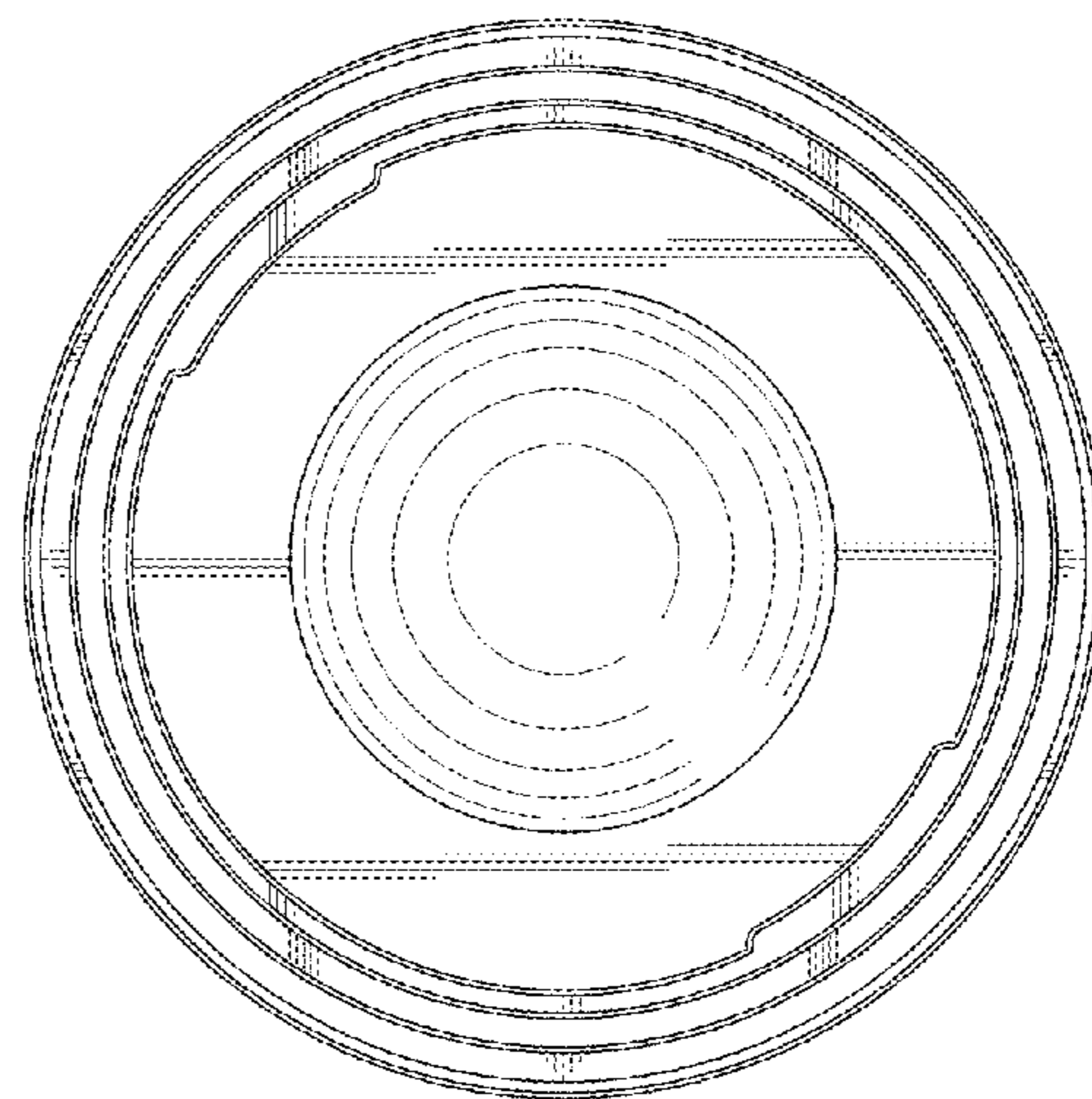


FIG.4

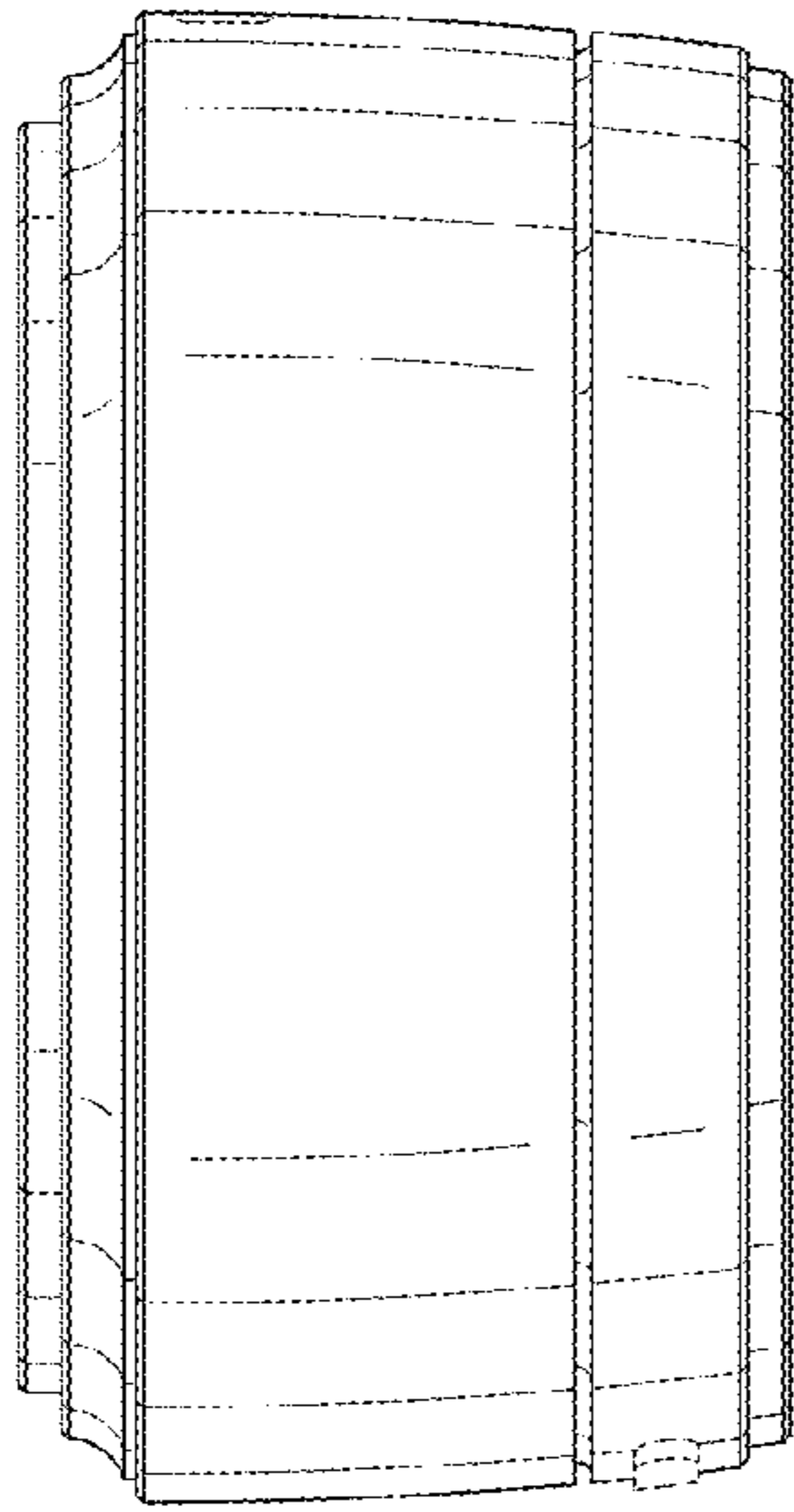


FIG.5

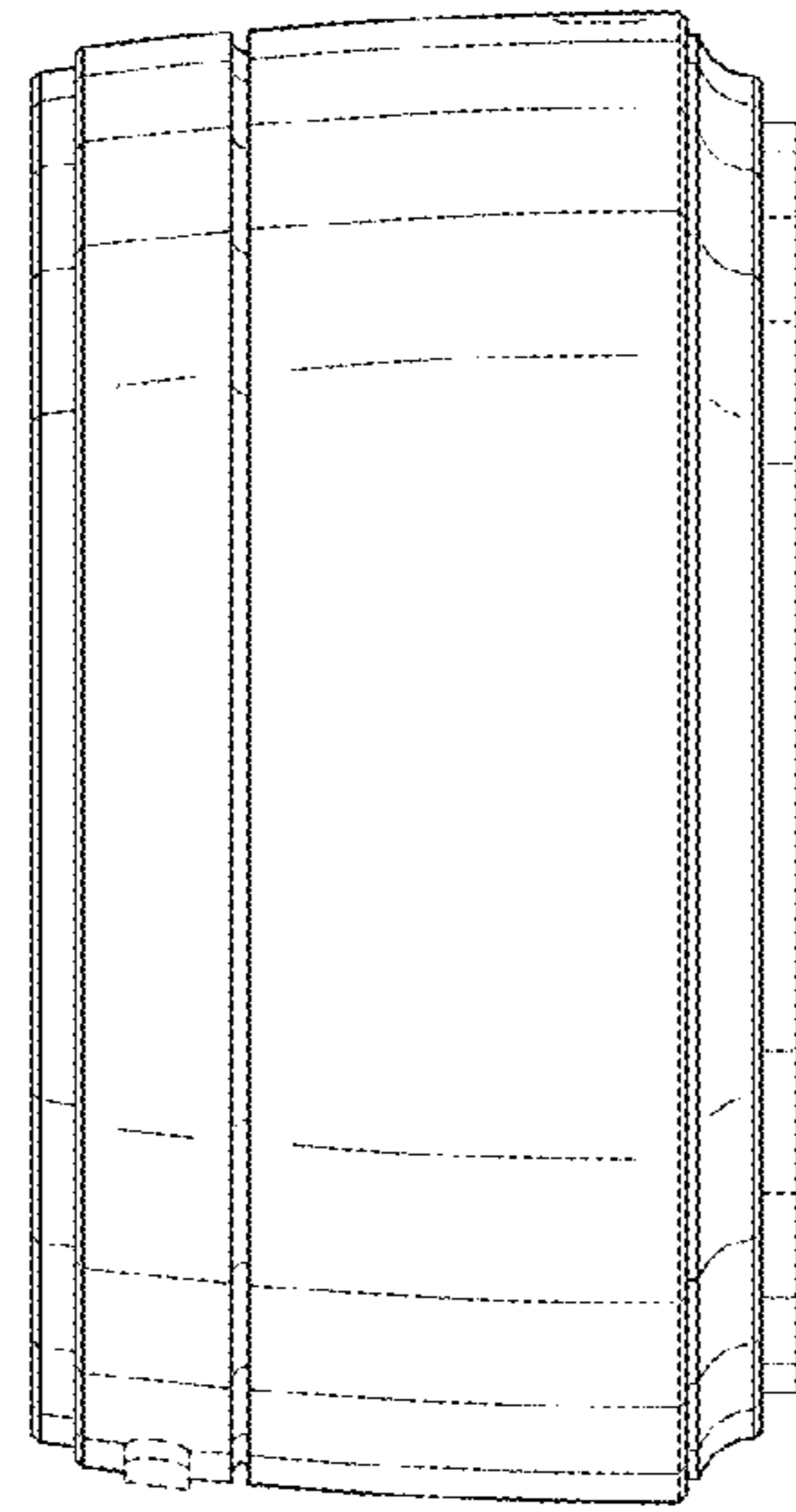


FIG.6

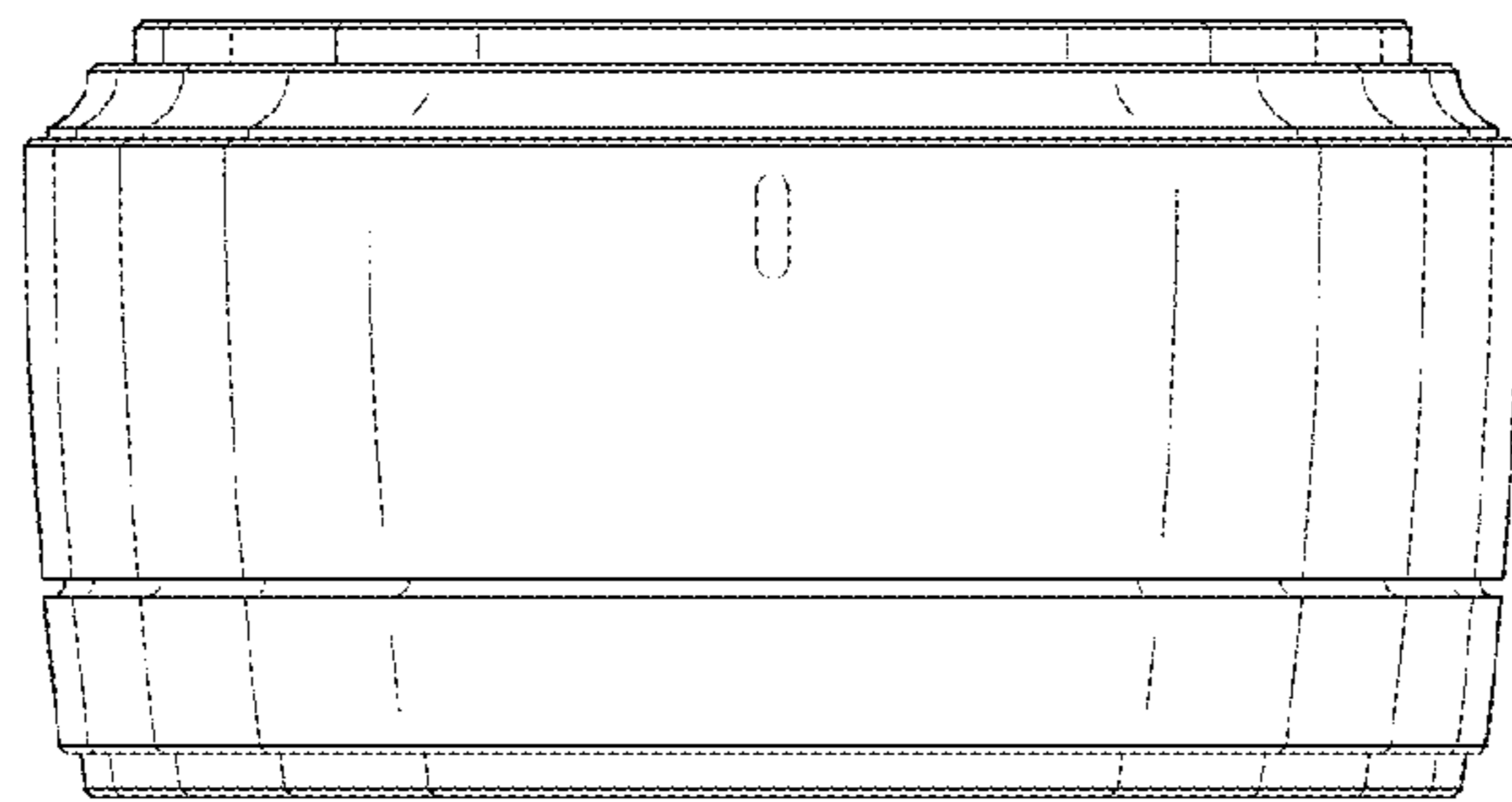


FIG.7

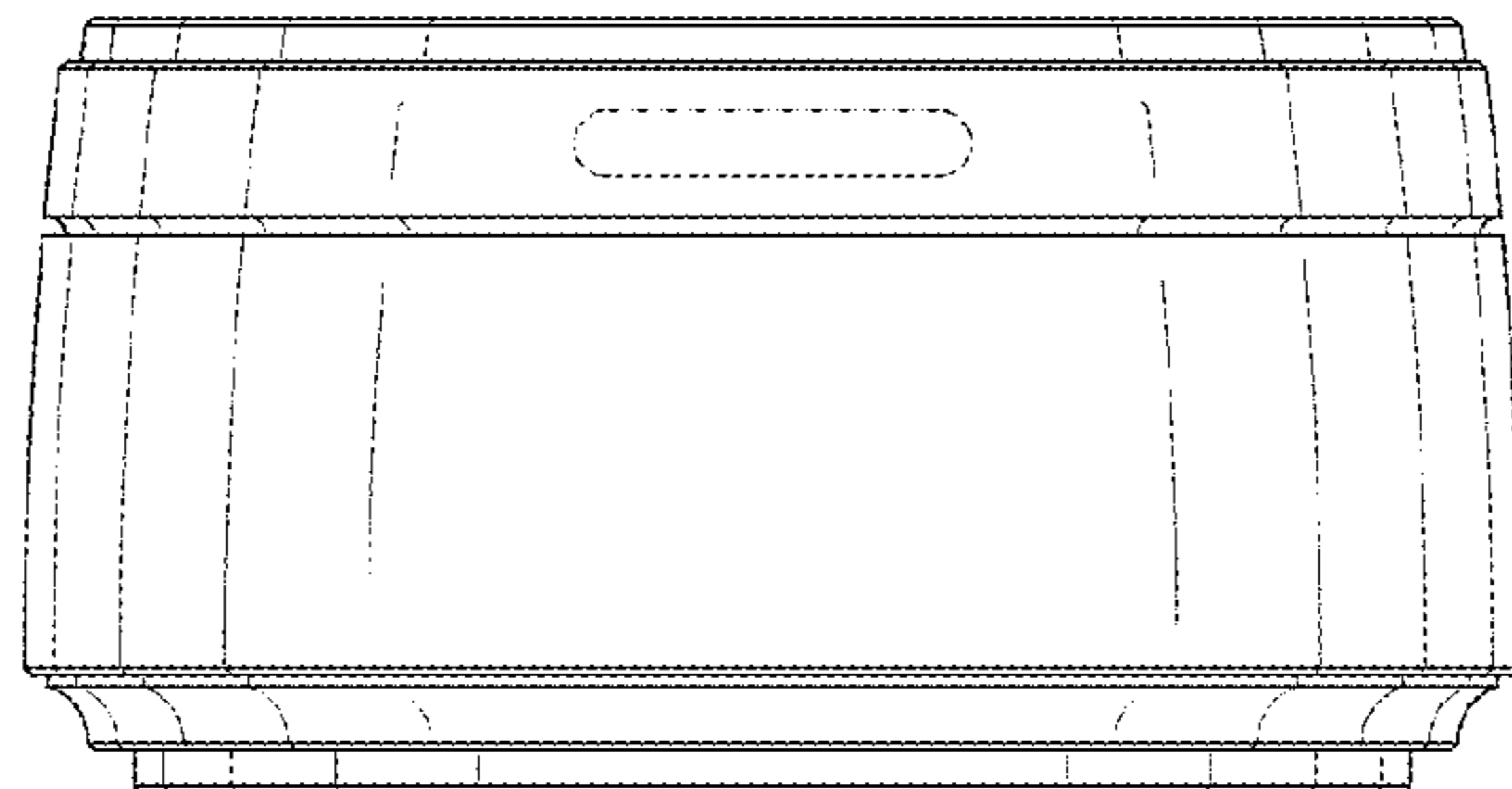


FIG.8

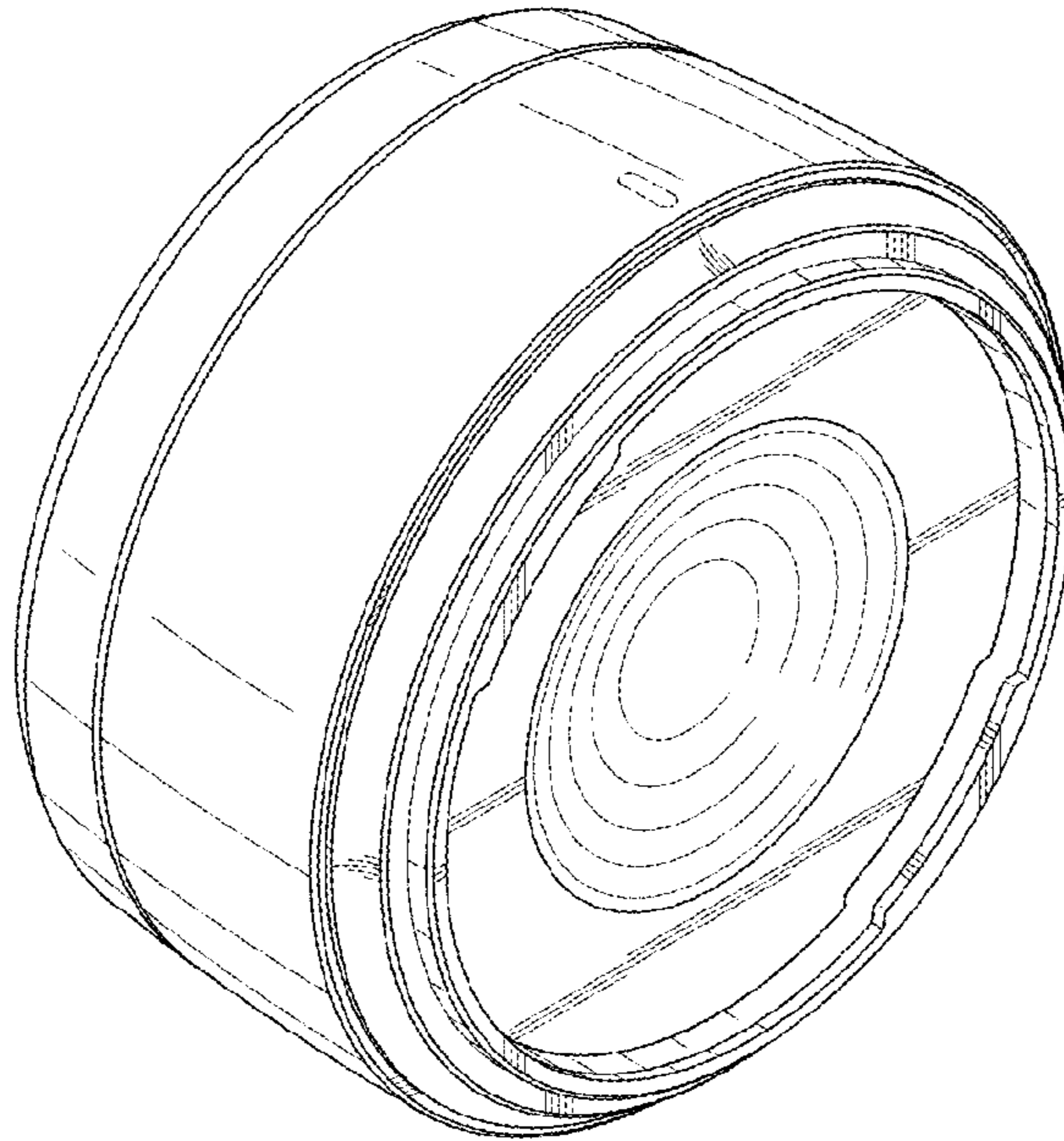


FIG.9

