



US00D730421S

(12) **United States Design Patent**  
**Huang et al.**

(10) **Patent No.:** **US D730,421 S**

(45) **Date of Patent:** **\*\* May 26, 2015**

(54) **CAMERA**

(71) Applicant: **Chicony Electronics Co., Ltd.**, New Taipei (TW)

(72) Inventors: **Wei-Cheng Huang**, New Taipei (TW);  
**Mei-Yi Tsai**, New Taipei (TW)

(73) Assignee: **CHICONY ELECTRONICS CO., LTD.**, New Taipei (TW)

(\*\*) Term: **14 Years**

(21) Appl. No.: **29/482,046**

(22) Filed: **Feb. 13, 2014**

(51) **LOC (10) Cl.** ..... **16-01**

(52) **U.S. Cl.**  
USPC ..... **D16/202; D16/203**

(58) **Field of Classification Search**  
USPC ..... D16/200, 202, 203, 208, 218, 219;  
348/143, 373-374; 396/527, 535-541  
See application file for complete search history.

(56) **References Cited**

**U.S. PATENT DOCUMENTS**

D396,869 S \* 8/1998 Yamakawa et al. .... D16/202  
6,503,000 B1 \* 1/2003 Kim ..... 396/427

D575,316 S \* 8/2008 Liu et al. .... D16/203  
D624,108 S \* 9/2010 Wang et al. .... D16/219  
D627,815 S \* 11/2010 Oba ..... D16/202  
D649,573 S \* 11/2011 Al ..... D16/203  
D651,633 S \* 1/2012 Park et al. .... D16/203  
D659,733 S \* 5/2012 Chen ..... D16/202

\* cited by examiner

*Primary Examiner* — Adir Aronovich

(74) *Attorney, Agent, or Firm* — Chun-Ming Shih; HDLS IPR Services

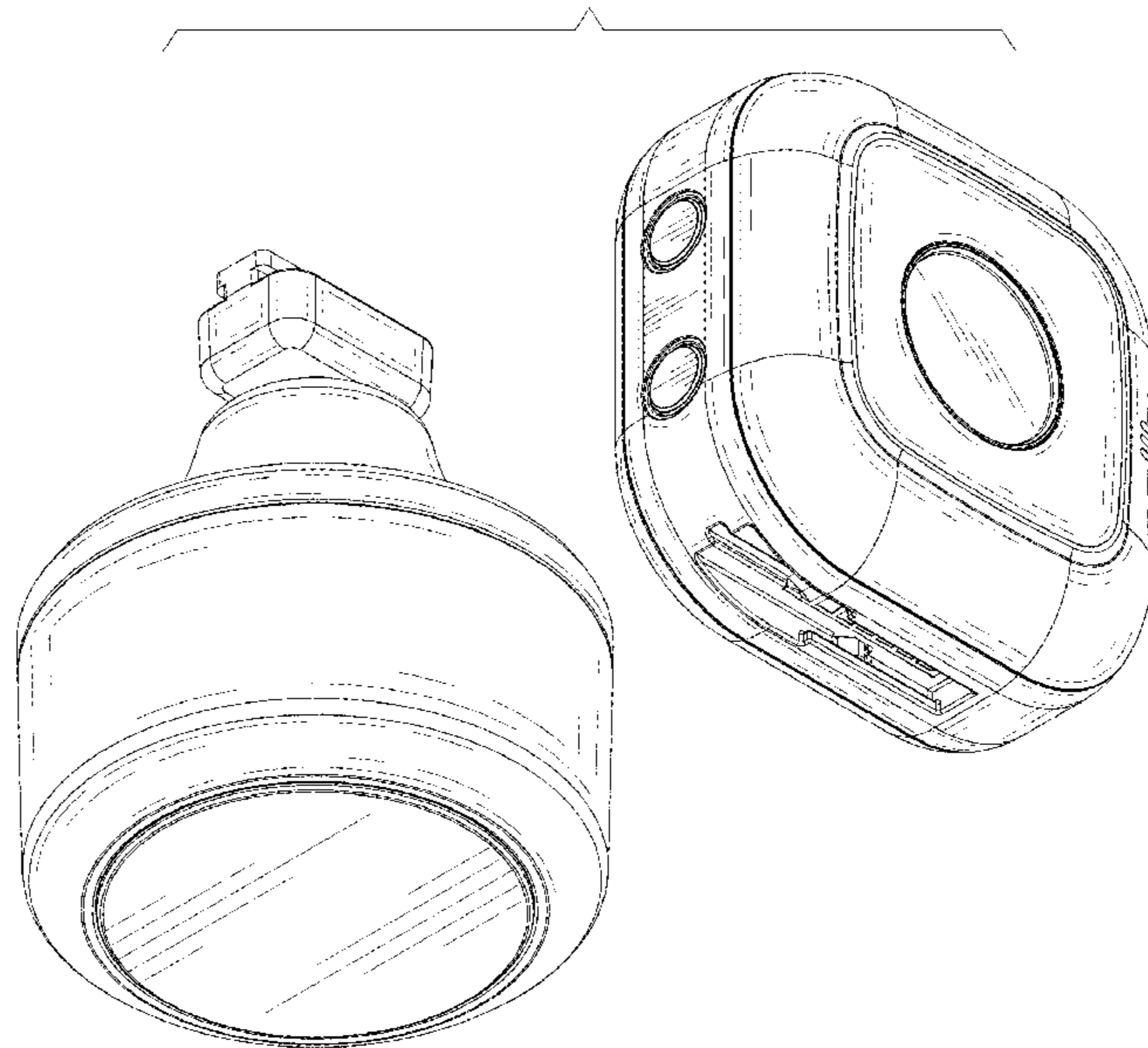
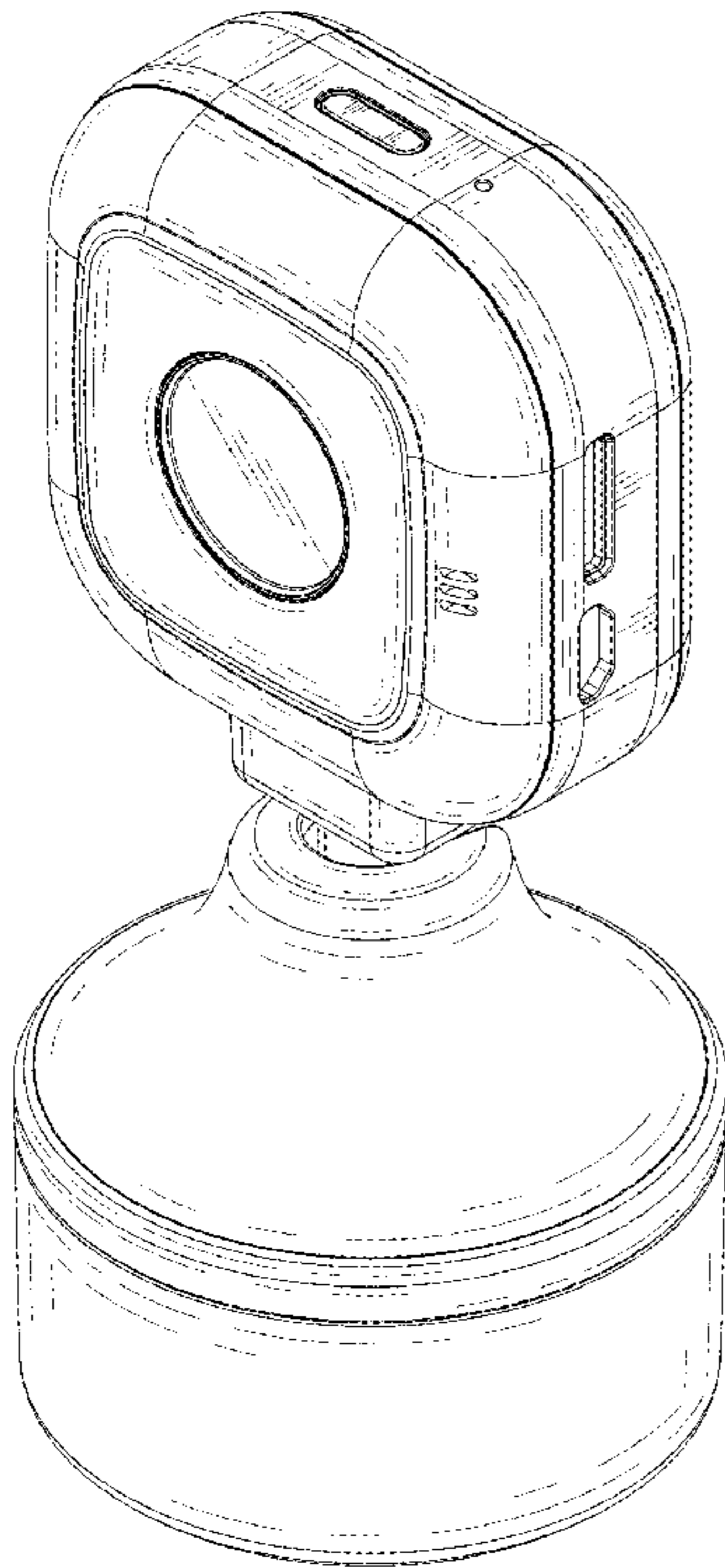
(57) **CLAIM**

The ornamental design for a camera, as shown and described.

**DESCRIPTION**

FIG. 1 is a top, front and right side perspective view of a camera showing our new design;  
FIG. 2 is a front elevational view thereof;  
FIG. 3 is a rear elevational view thereof;  
FIG. 4 is a left side elevational view thereof;  
FIG. 5 is a right side elevational view thereof;  
FIG. 6 is a top plan view thereof;  
FIG. 7 is a bottom plan view thereof; and  
FIG. 8 is a top, rear and left side perspective view thereof; and,  
FIG. 9 is an exploded perspective view of the camera.

**1 Claim, 8 Drawing Sheets**



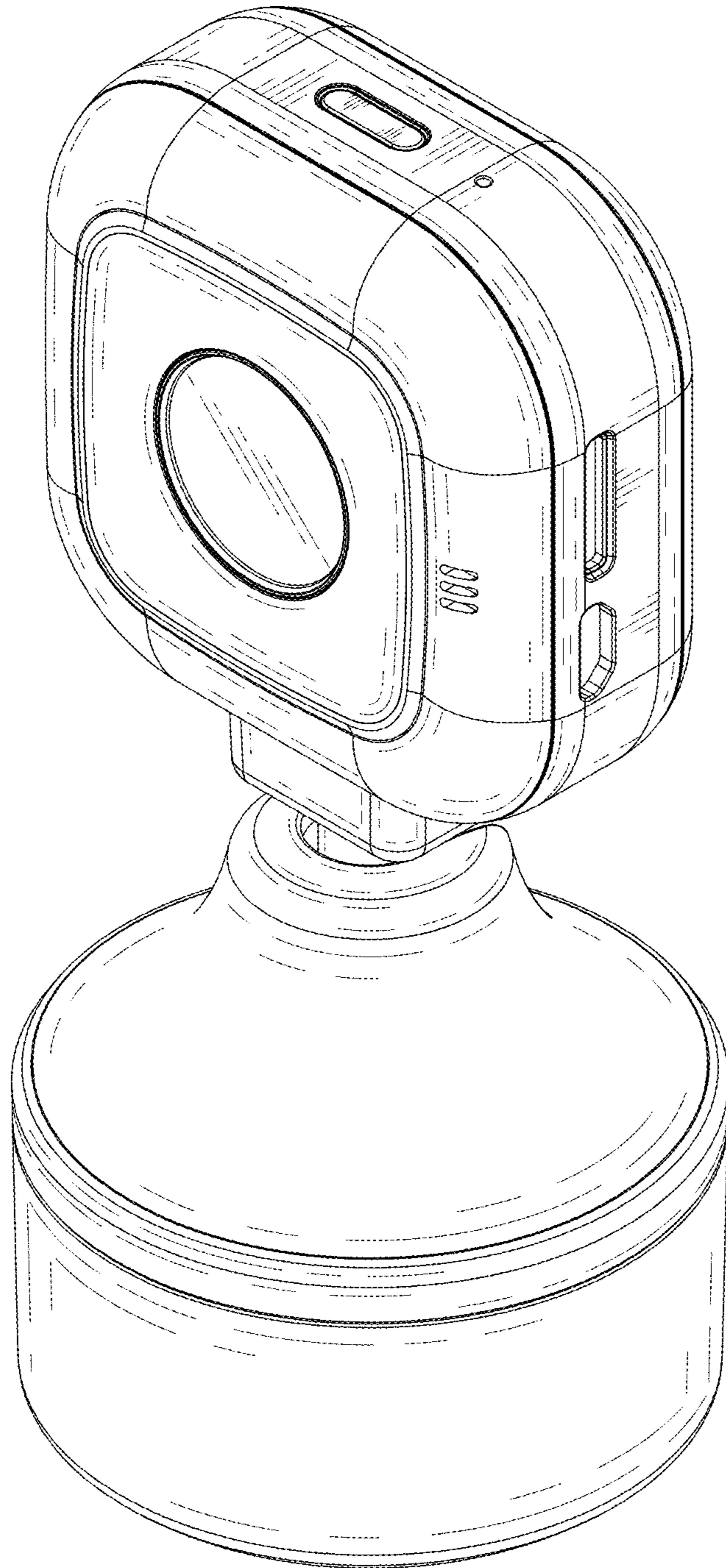


FIG. 1

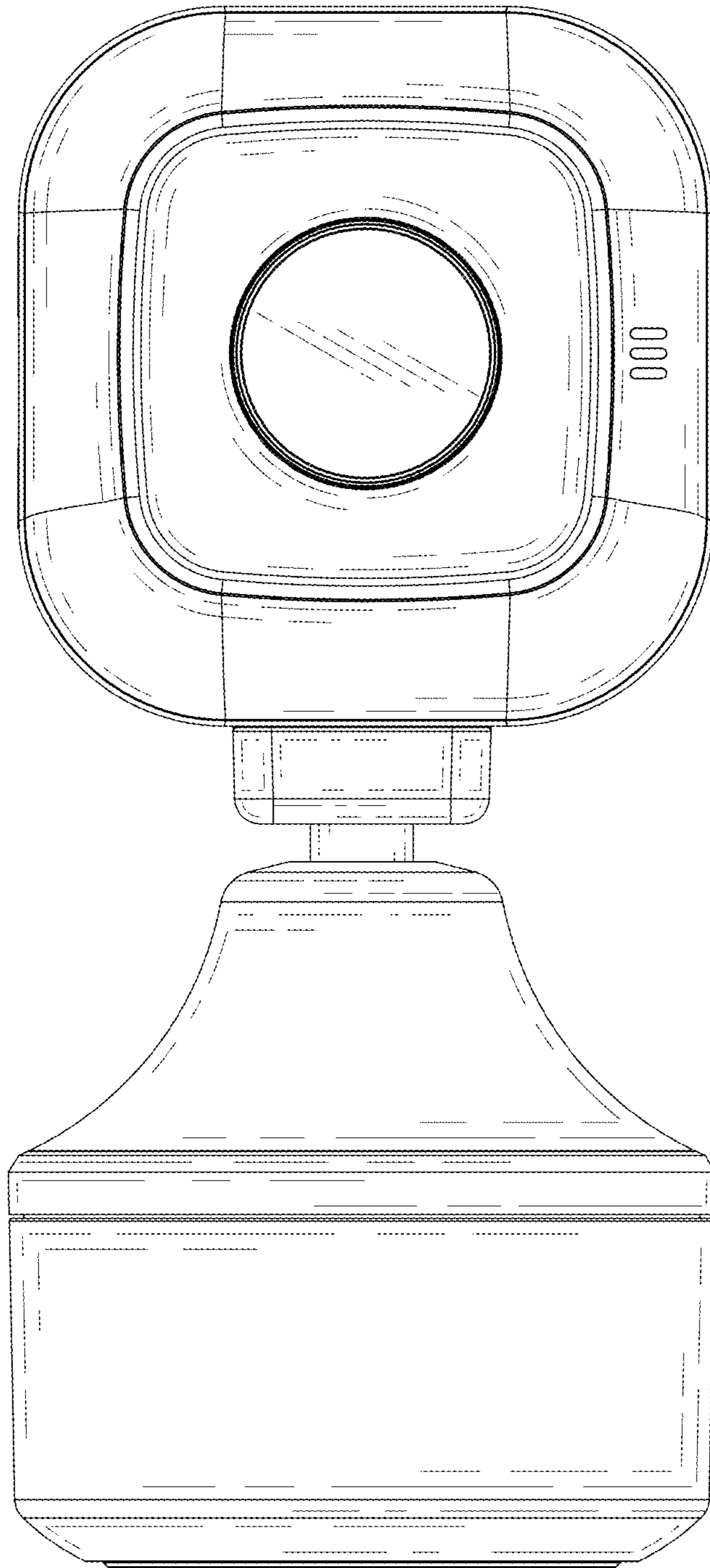


FIG.2

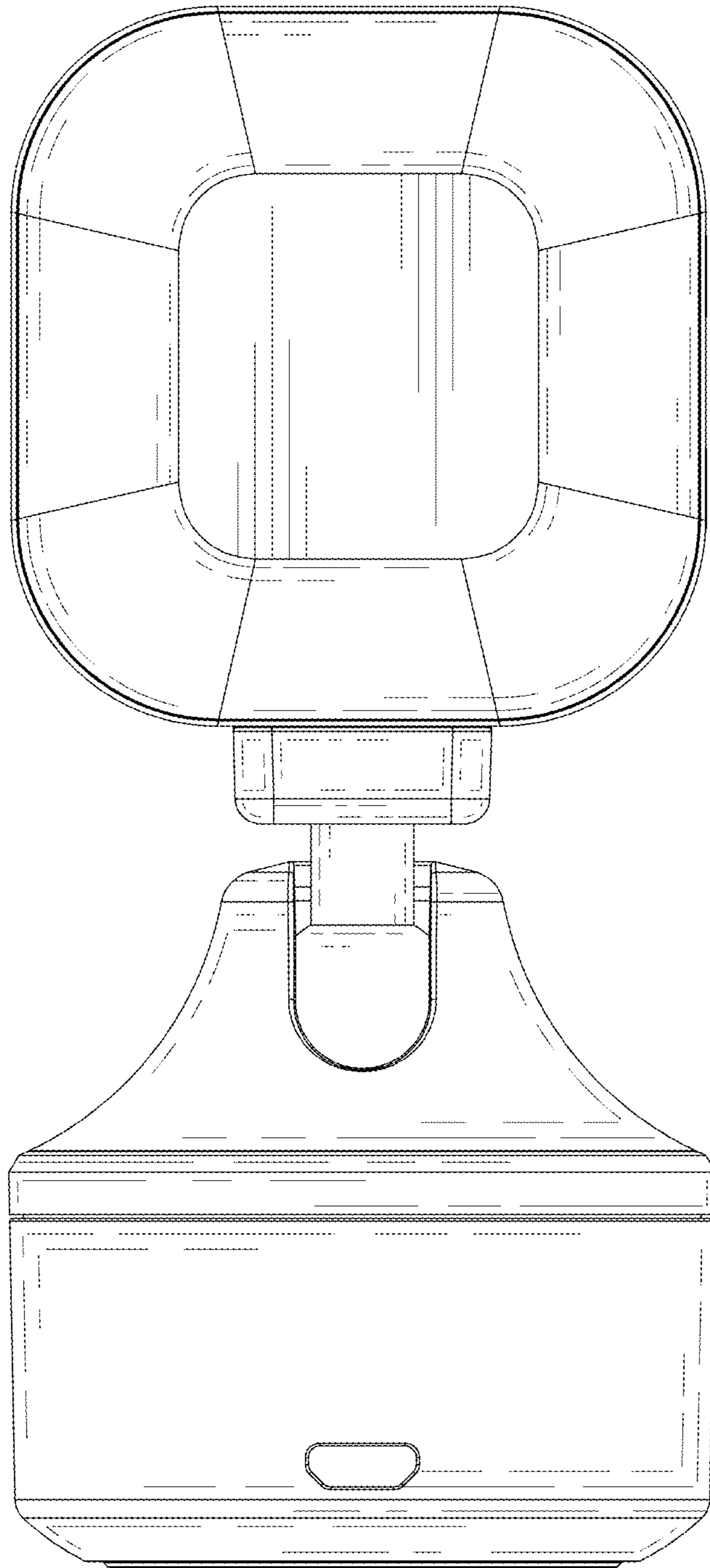


FIG.3

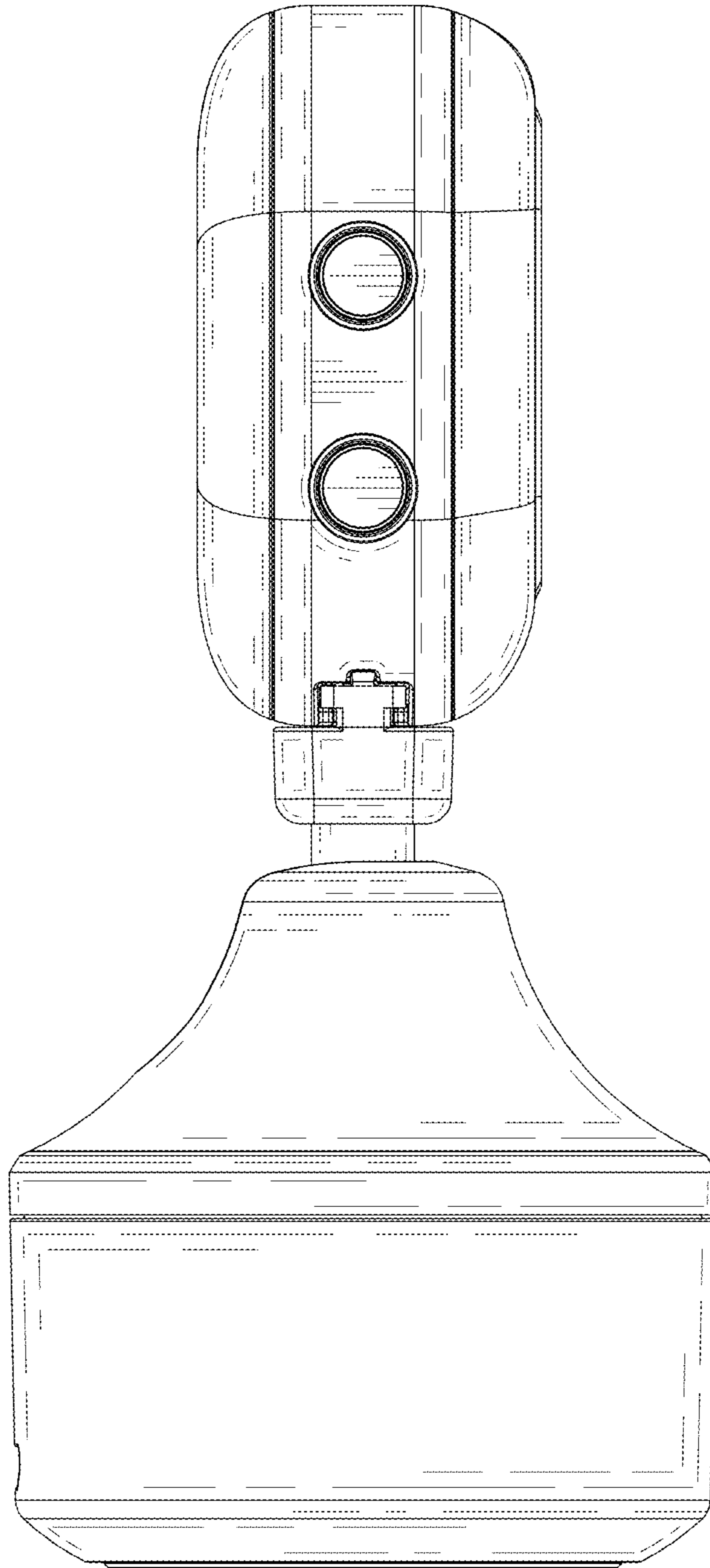


FIG. 4

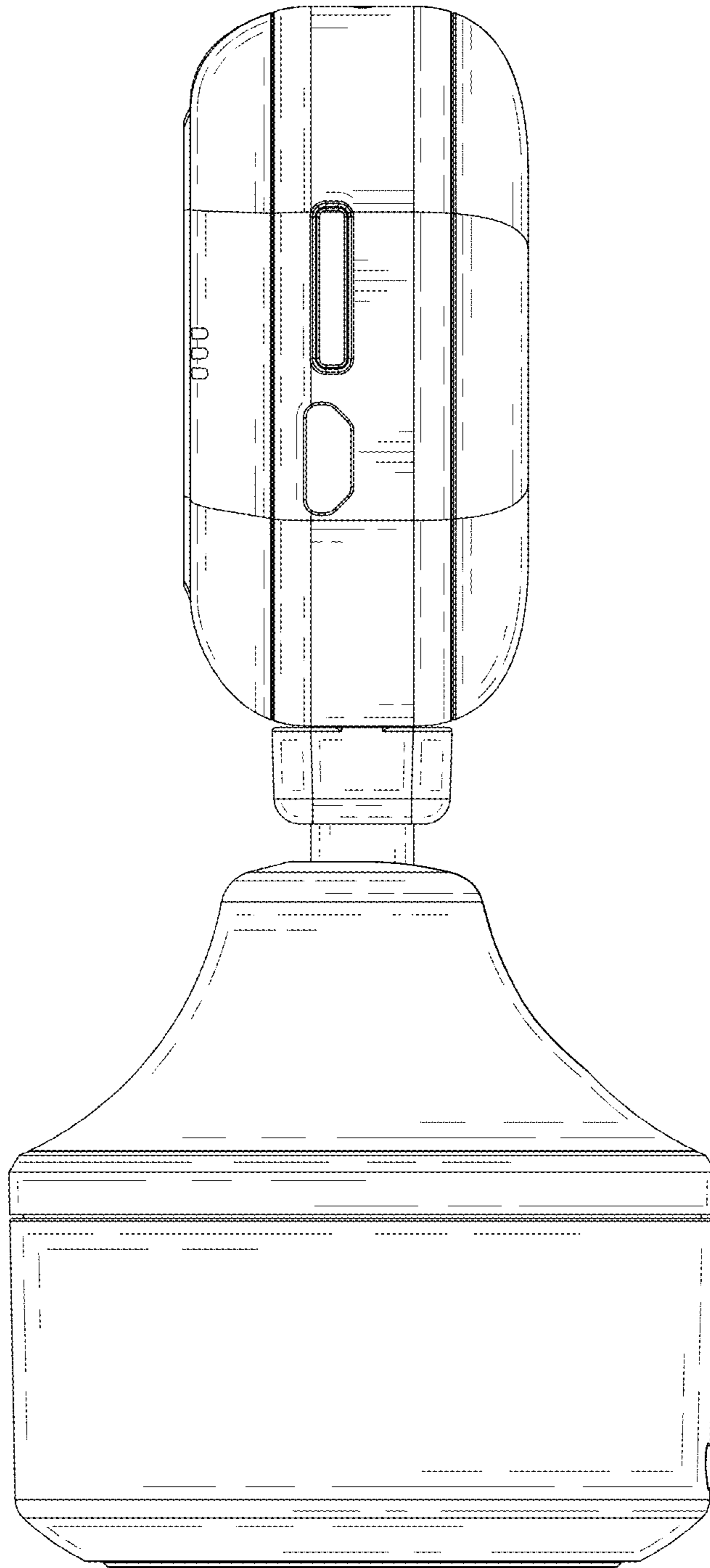


FIG. 5

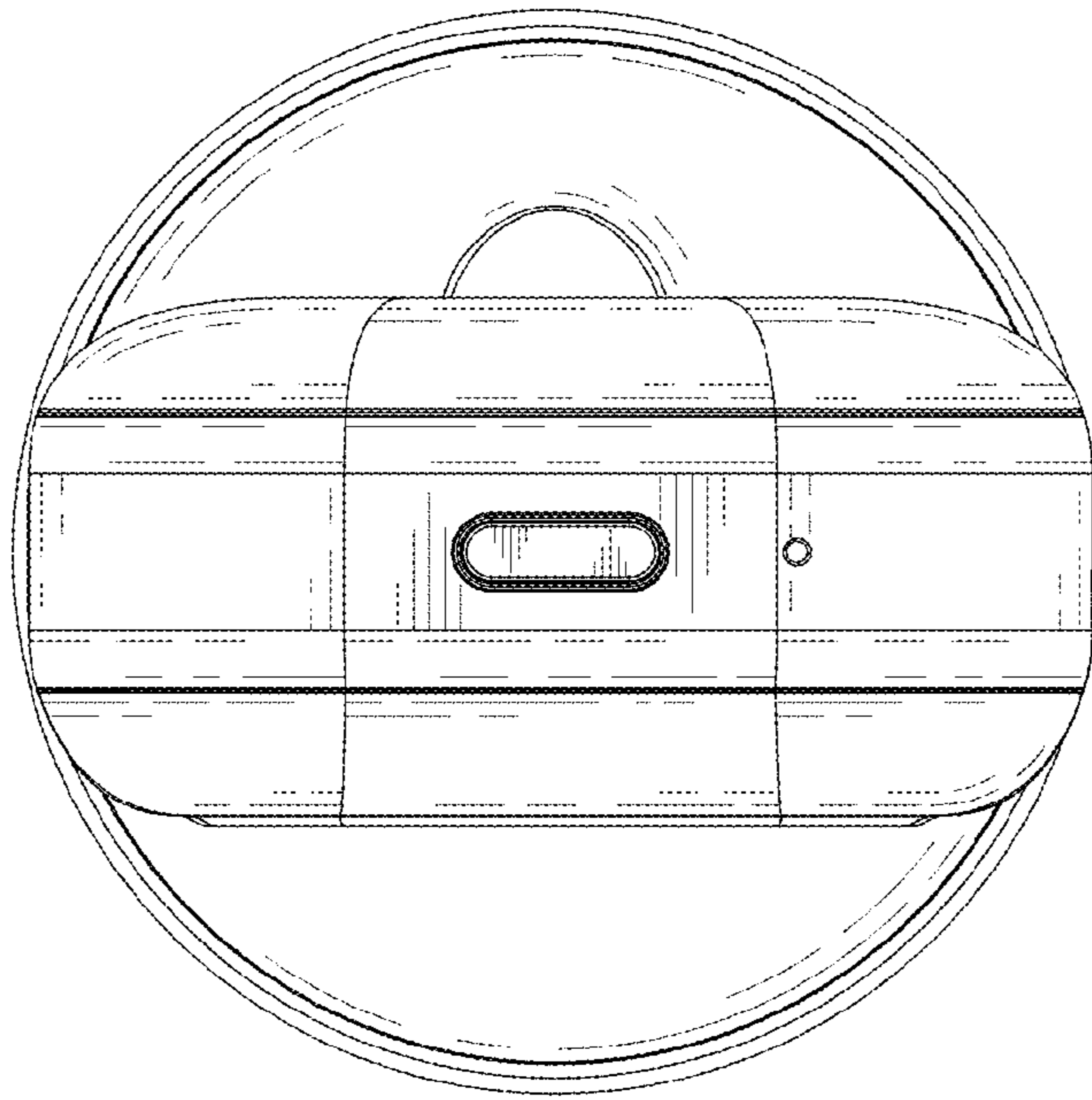


FIG. 6

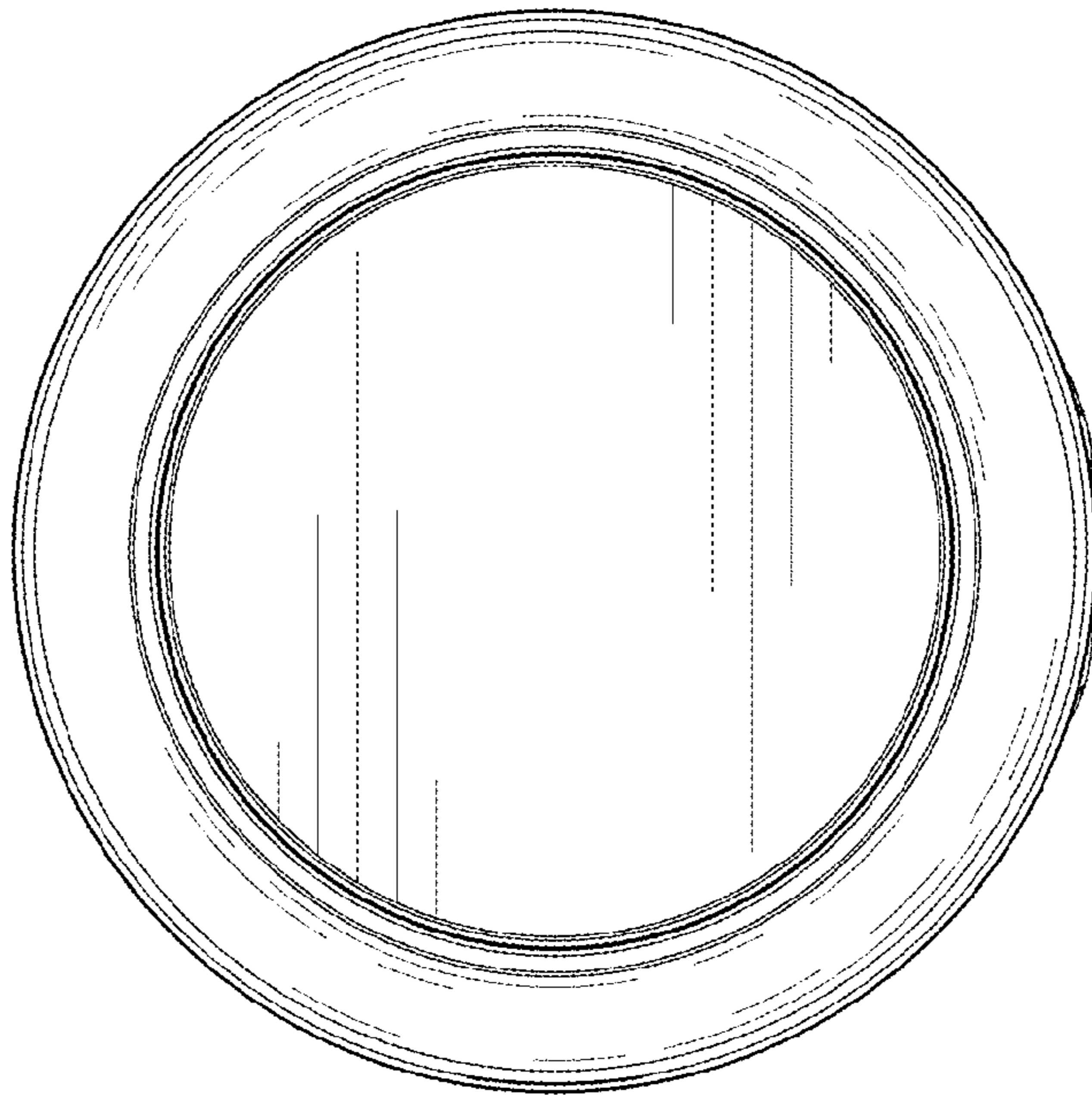


FIG. 7

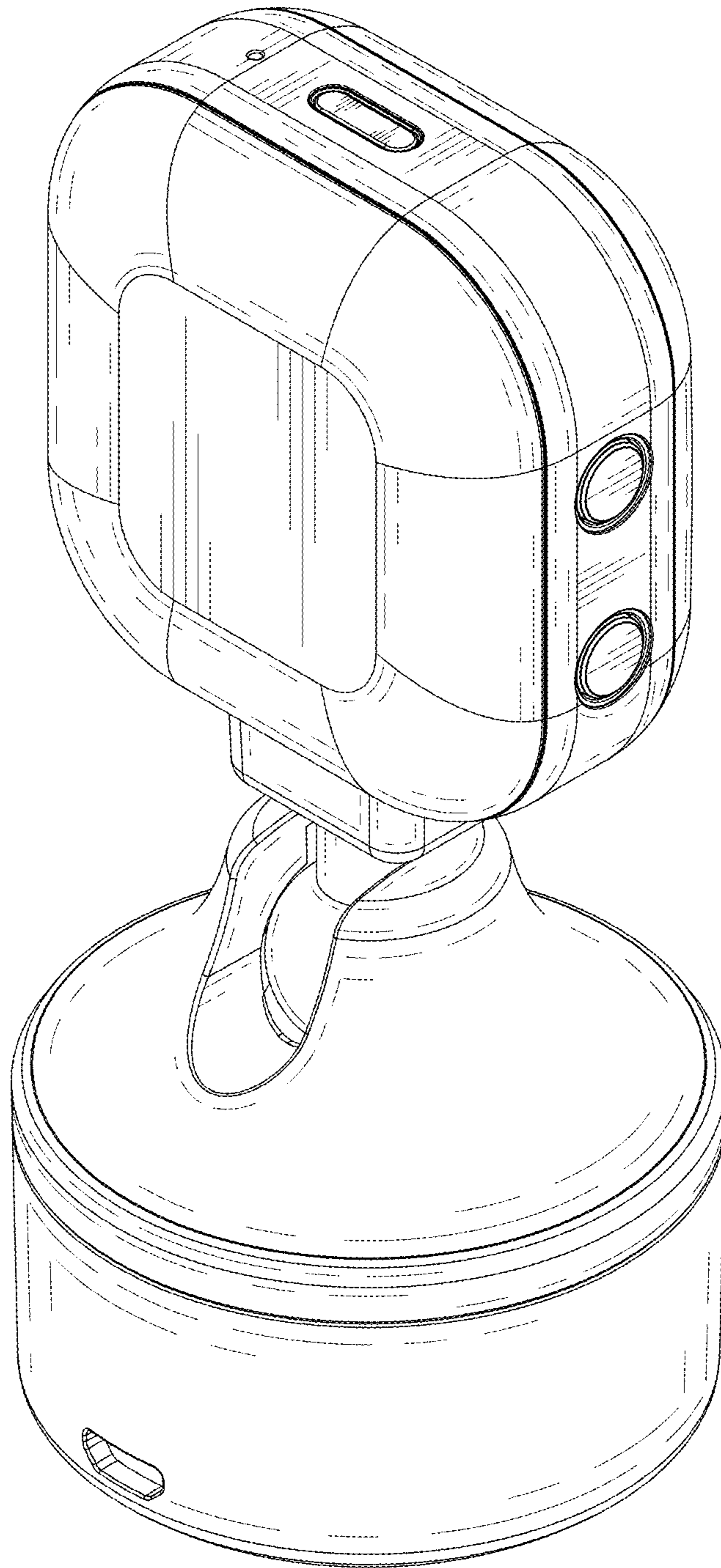


FIG.8





FIG.9