



US00D730420S

(12) **United States Design Patent**  
**Janssen et al.**

(10) **Patent No.:** **US D730,420 S**  
(45) **Date of Patent:** **\*\* May 26, 2015**

(54) **CAMERA HOUSING**

(71) Applicant: **Avigilon Corporation**, Vancouver (CA)

(72) Inventors: **Colin Paul Janssen**, Vancouver (CA);  
**Piotr Zbigniew Celler**, Vancouver (CA)

(73) Assignee: **Avigilon Corporation**, Vancouver (CA)

(\*\*) Term: **14 Years**

(21) Appl. No.: **29/483,656**

(22) Filed: **Feb. 28, 2014**

(30) **Foreign Application Priority Data**

Dec. 13, 2013 (CA) ..... 154459

(51) **LOC (10) Cl.** ..... **16-01**

(52) **U.S. Cl.**  
USPC ..... **D16/200**

(58) **Field of Classification Search**

CPC ..... G03B 1/00; G03B 7/00; G03B 13/02;  
G03B 13/04; G03B 13/1963; H04N 1/00;  
H04N 7/002; H04N 7/181

USPC ..... D16/200, 202, 203, 208, 218, 219;  
348/143, 373-376; 396/427, 535-541

See application file for complete search history.

(56) **References Cited**

**U.S. PATENT DOCUMENTS**

D430,888 S *	9/2000	Adachi et al.	.....	D16/203
D446,801 S *	8/2001	Adachi et al.	.....	D16/203
D470,520 S *	2/2003	Yamakawa et al.	.....	D16/203
D506,489 S *	6/2005	Owada	.....	D16/203
D543,224 S *	5/2007	Kato et al.	.....	D16/203
7,221,402 B2 *	5/2007	Cheng	.....	348/375
D550,738 S	9/2007	Hsia	.....	
D563,450 S *	3/2008	Cheng	.....	D16/200
D606,572 S *	12/2009	Samson et al.	.....	D16/203
D613,323 S *	4/2010	Jang et al.	.....	D16/202
D614,222 S *	4/2010	Yamakawa	.....	D16/203

D628,611 S	12/2010	Lewis	.....	
D635,173 S *	3/2011	Yamakawa	.....	D16/203
D643,454 S *	8/2011	Zalianskas et al.	.....	D16/203
D666,233 S	8/2012	Carver, Jr. et al.	.....	
D668,282 S *	10/2012	Ohno et al.	.....	D16/203
D691,187 S	10/2013	Seo et al.	.....	
D692,938 S	11/2013	Seo et al.	.....	

**OTHER PUBLICATIONS**

Web article dated Nov. 2011, captured from the Internet on Feb. 24, 2014, entitled "Avigilon launches 29 MP HD camera—Hi-Tech Security Solutions."

\* cited by examiner

*Primary Examiner* — Adir Aronovich

(74) *Attorney, Agent, or Firm* — Klarquist Sparkman, LLP

(57) **CLAIM**

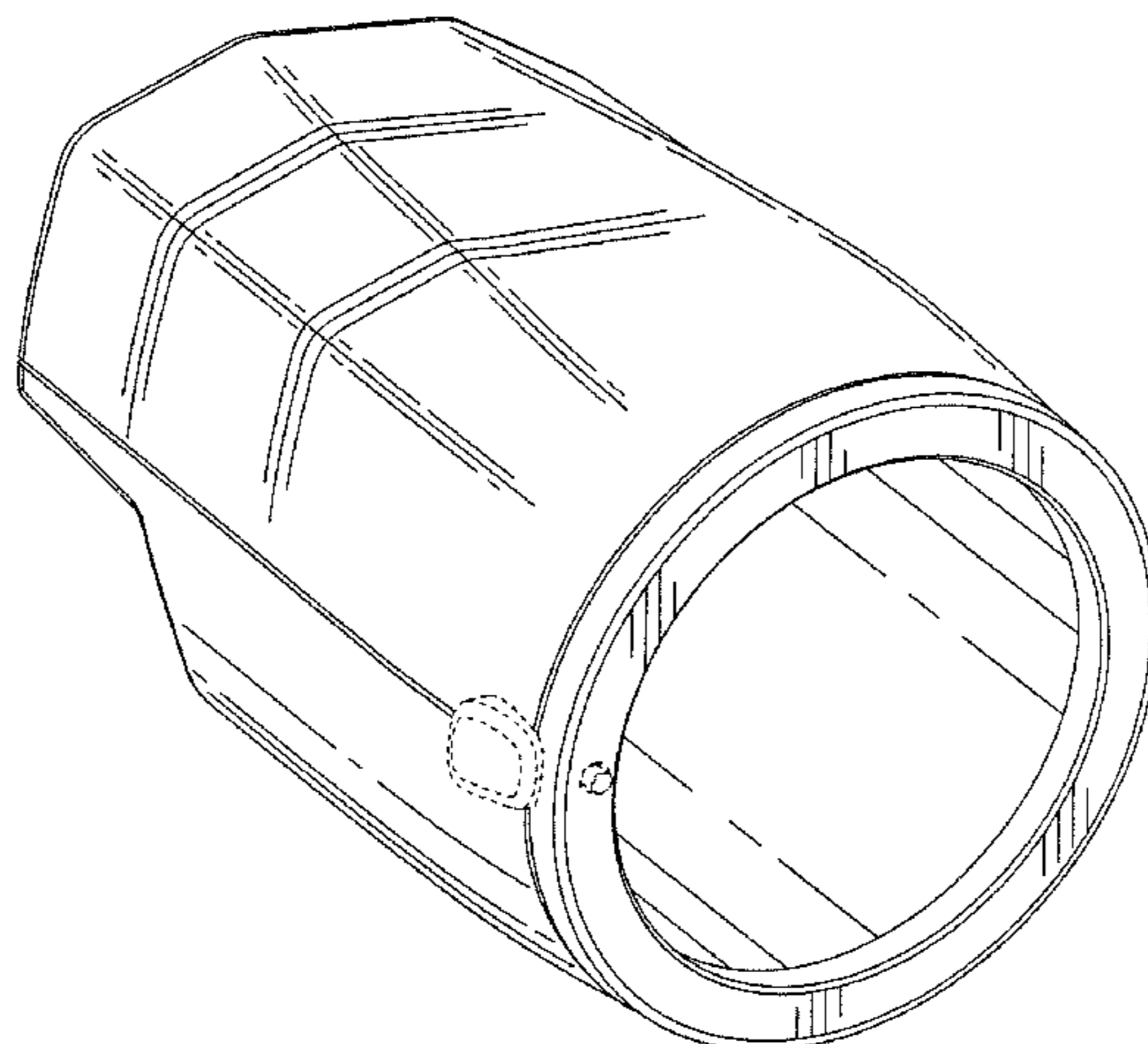
We claim the ornamental design for a camera housing, as shown and described.

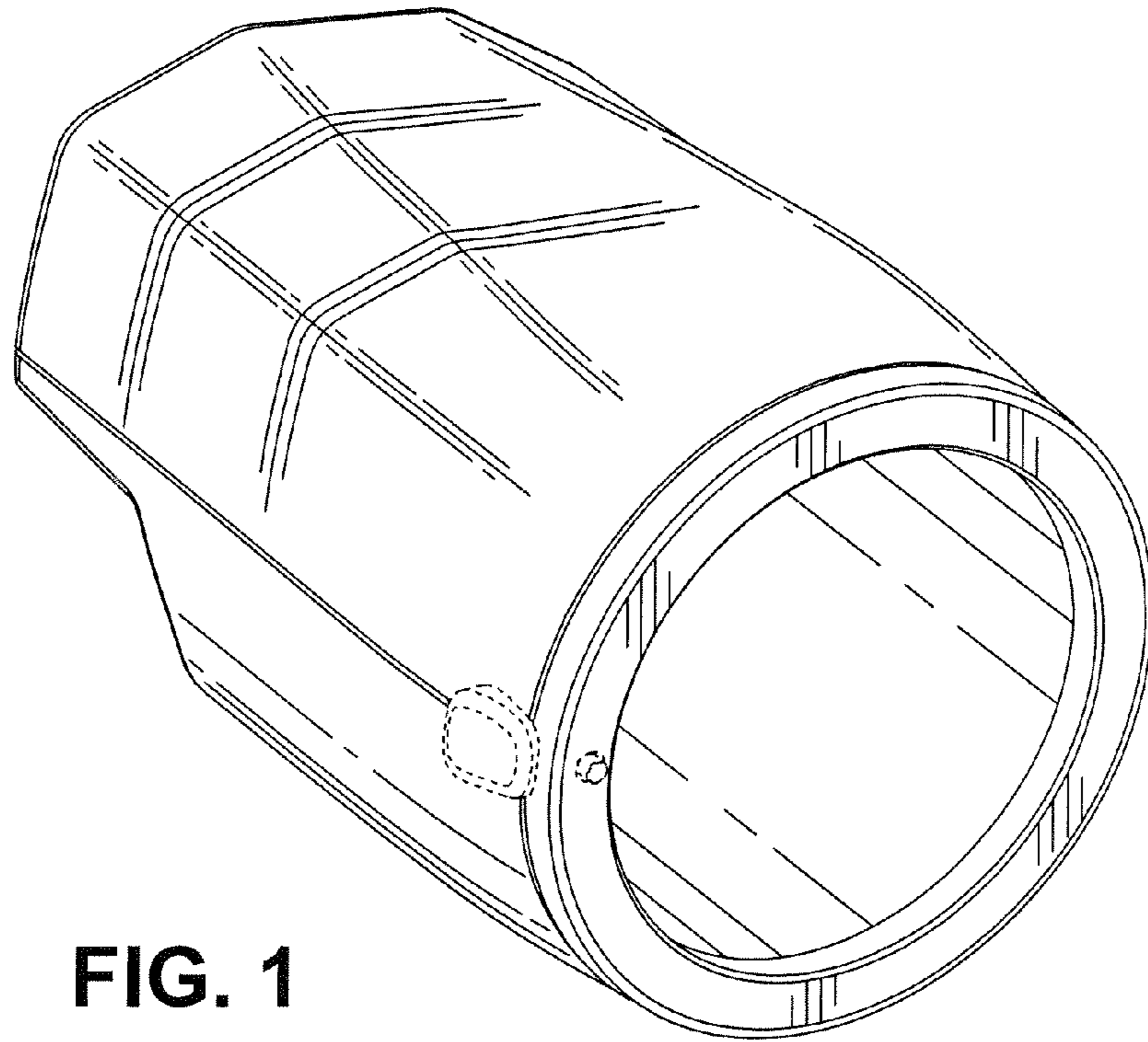
**DESCRIPTION**

FIG. 1 is a top perspective view of the camera housing; FIG. 2 is a front elevation view of the camera housing of FIG. 1; FIG. 3 a top plan view of the camera housing of FIG. 1; FIG. 4 is a bottom plan view of the camera housing of FIG. 1; FIG. 5 is a right side elevation view of the camera housing of FIG. 1; FIG. 6 is a left side elevation view of the camera housing of FIG. 1; FIG. 7 is a rear elevation view of the camera housing of FIG. 1; and, FIG. 8 is a bottom perspective view of the camera housing of FIG. 1.

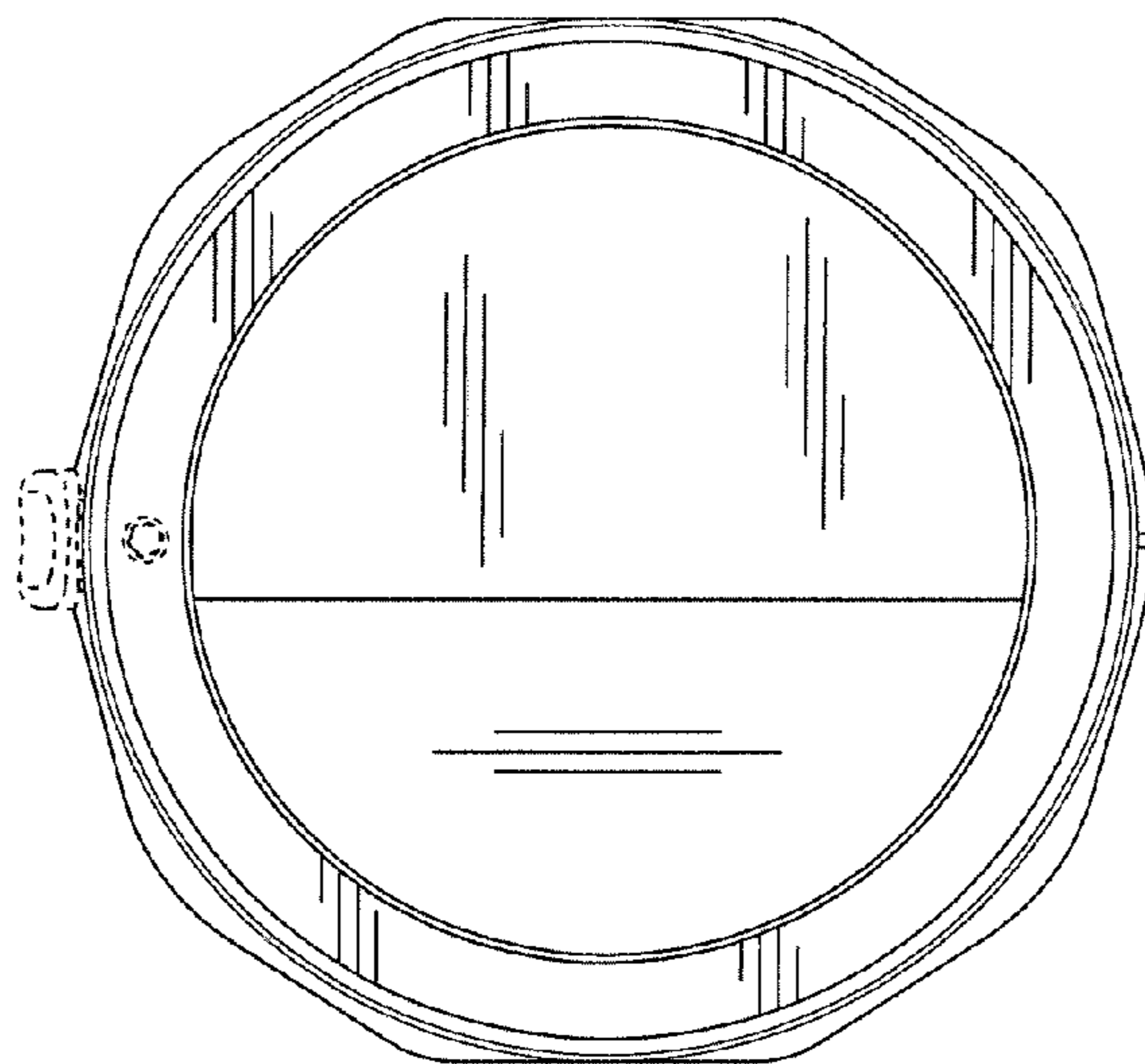
The broken lines in the drawings depict portions of the camera housing in which the design is embodied and form no part of the claimed design.

**1 Claim, 5 Drawing Sheets**





**FIG. 1**



**FIG. 2**

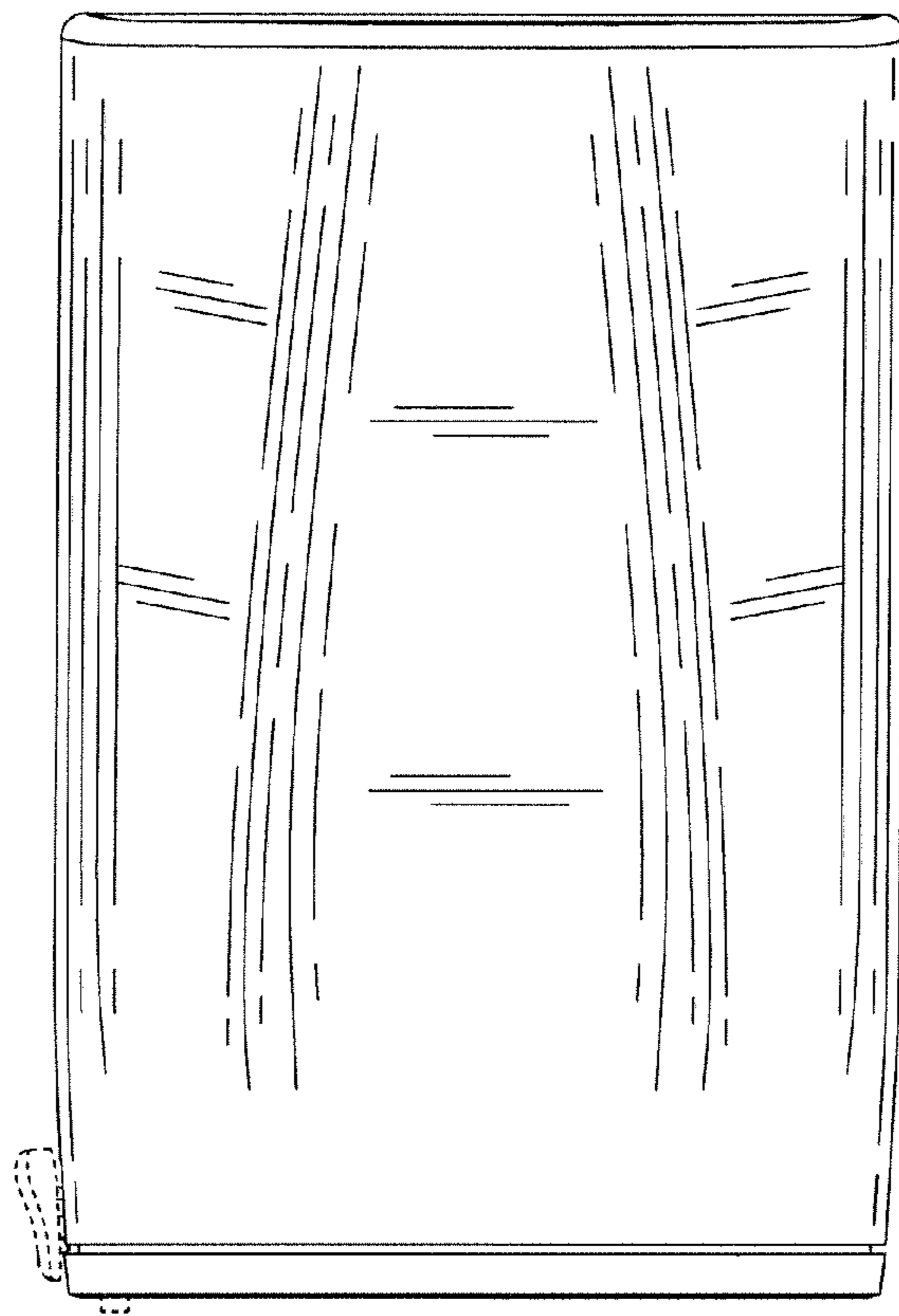


FIG. 3

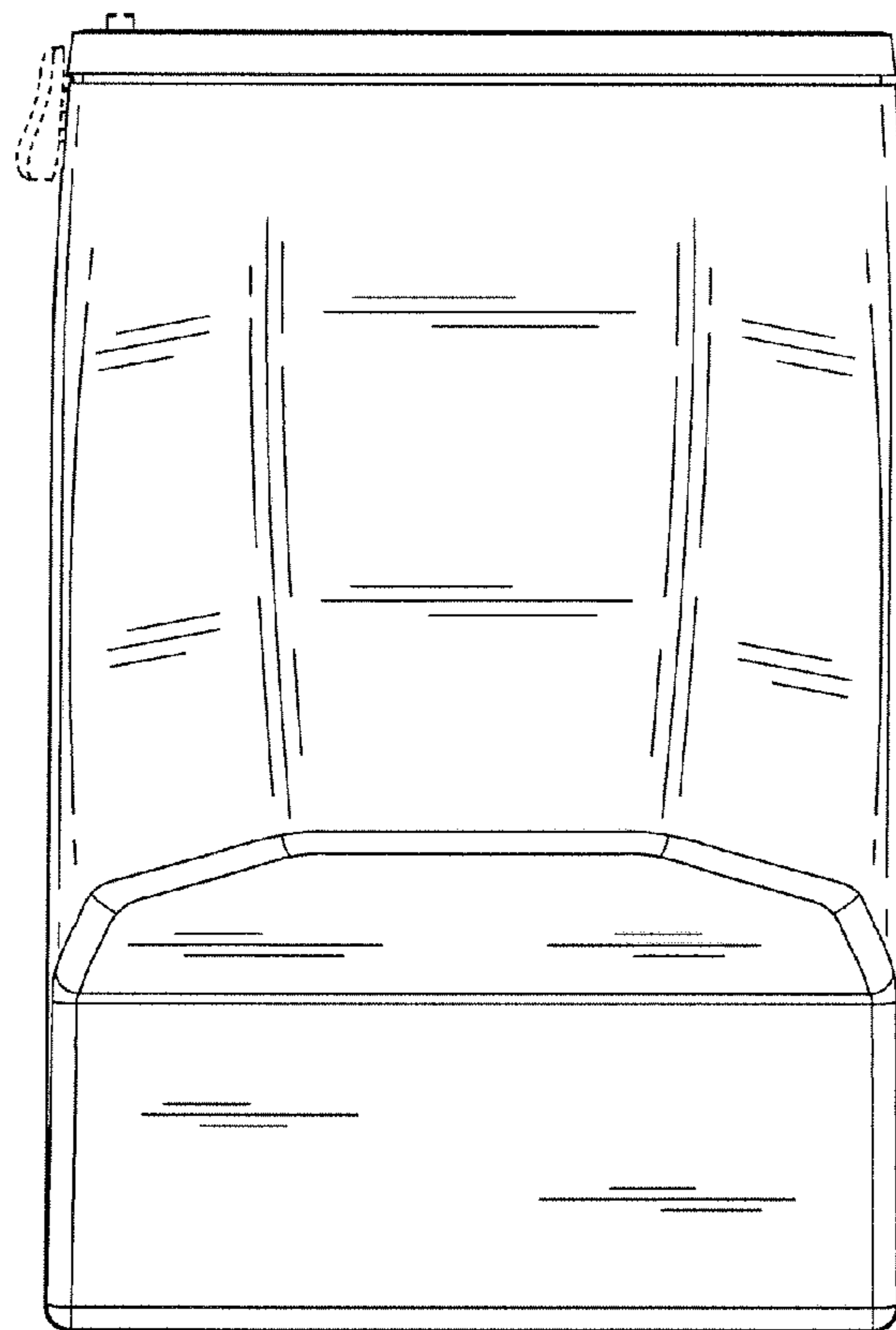
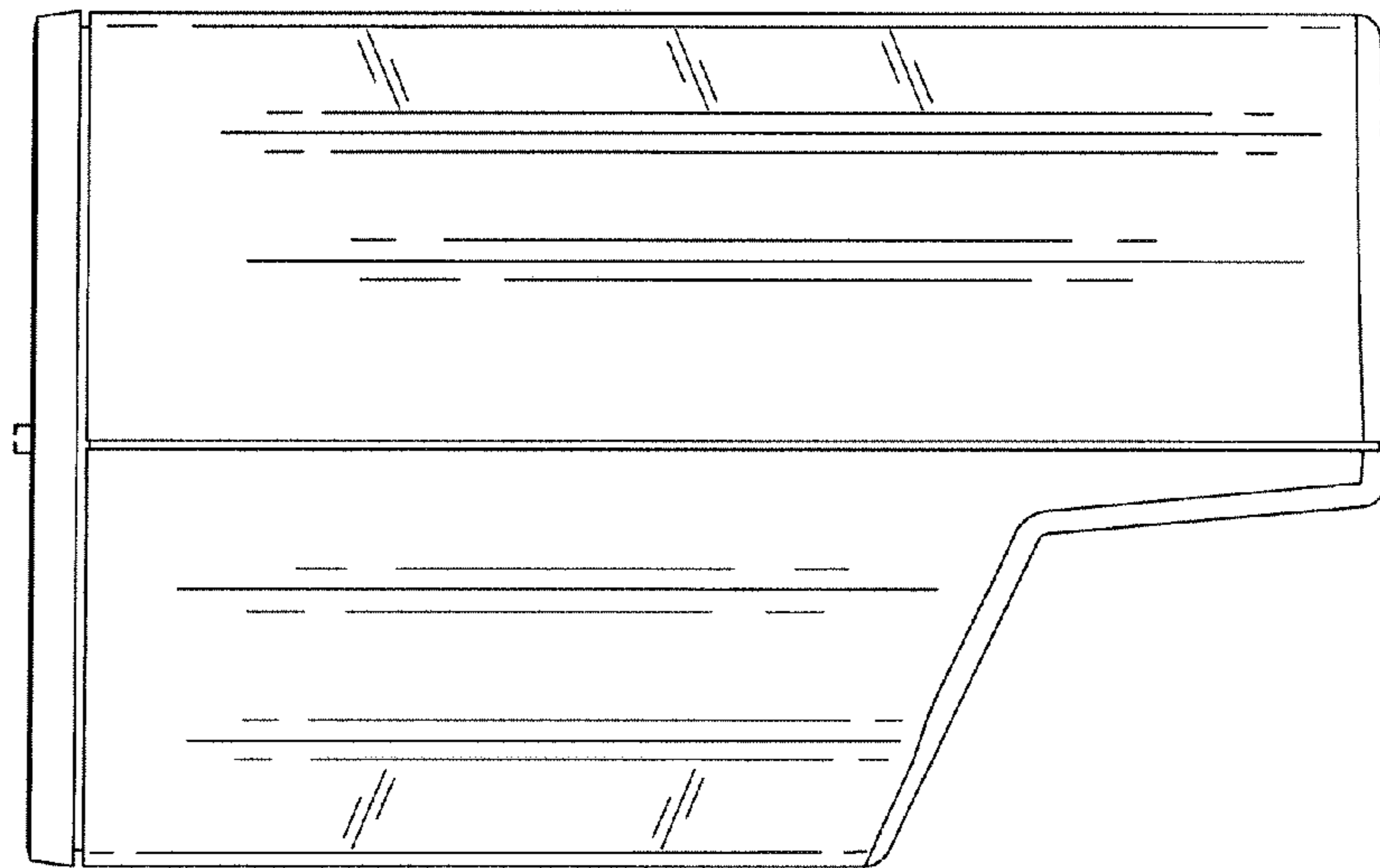
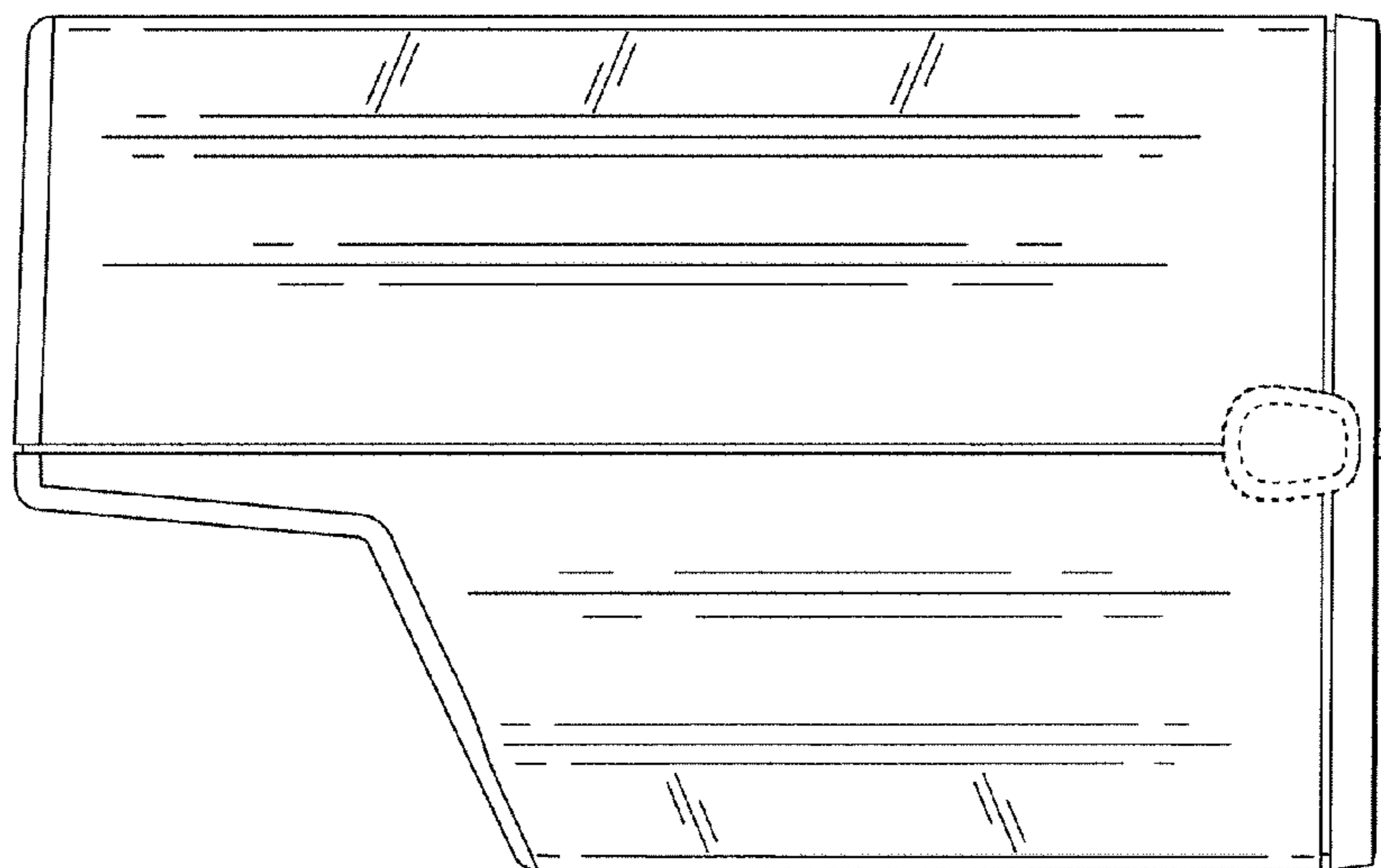


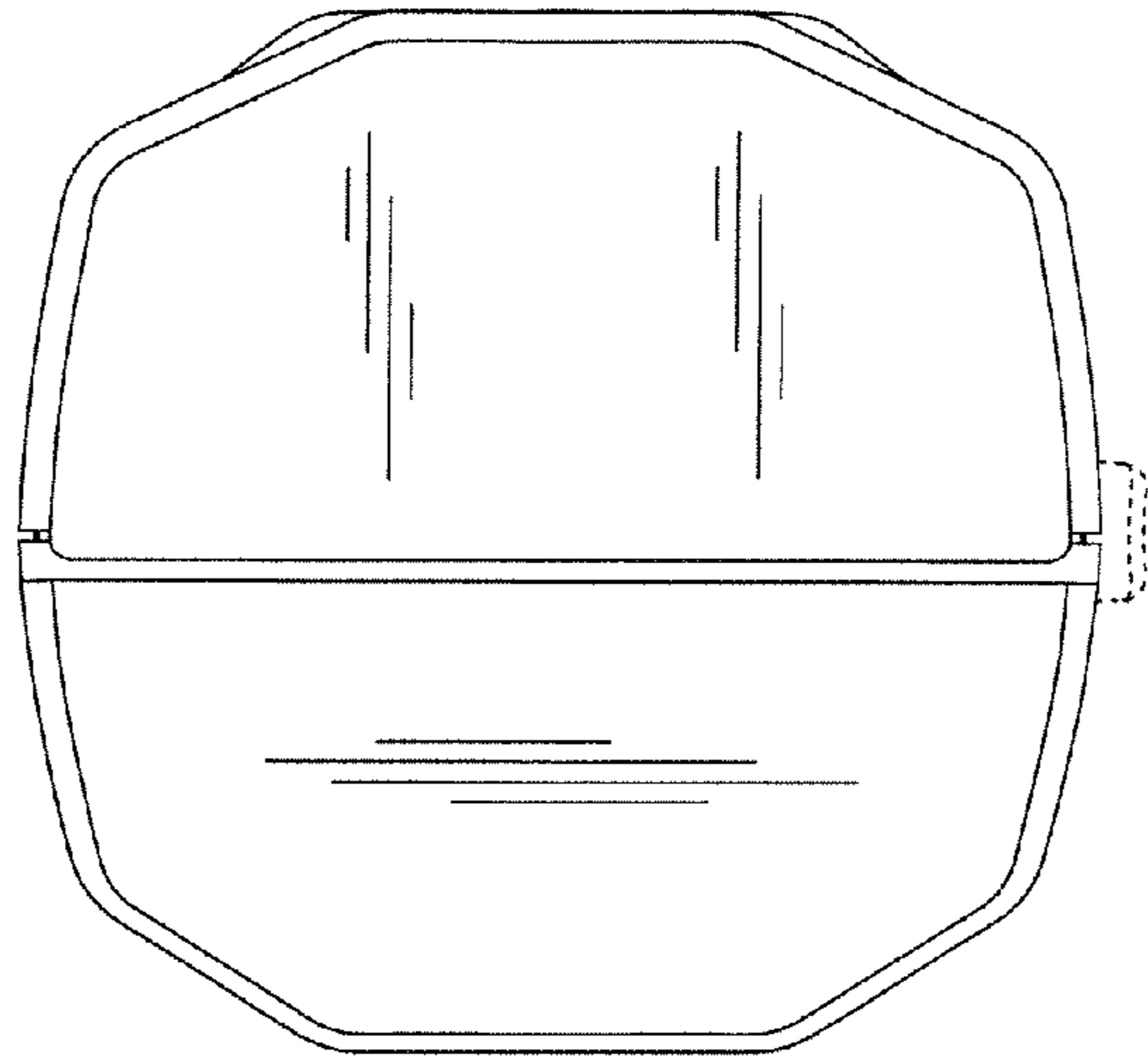
FIG. 4



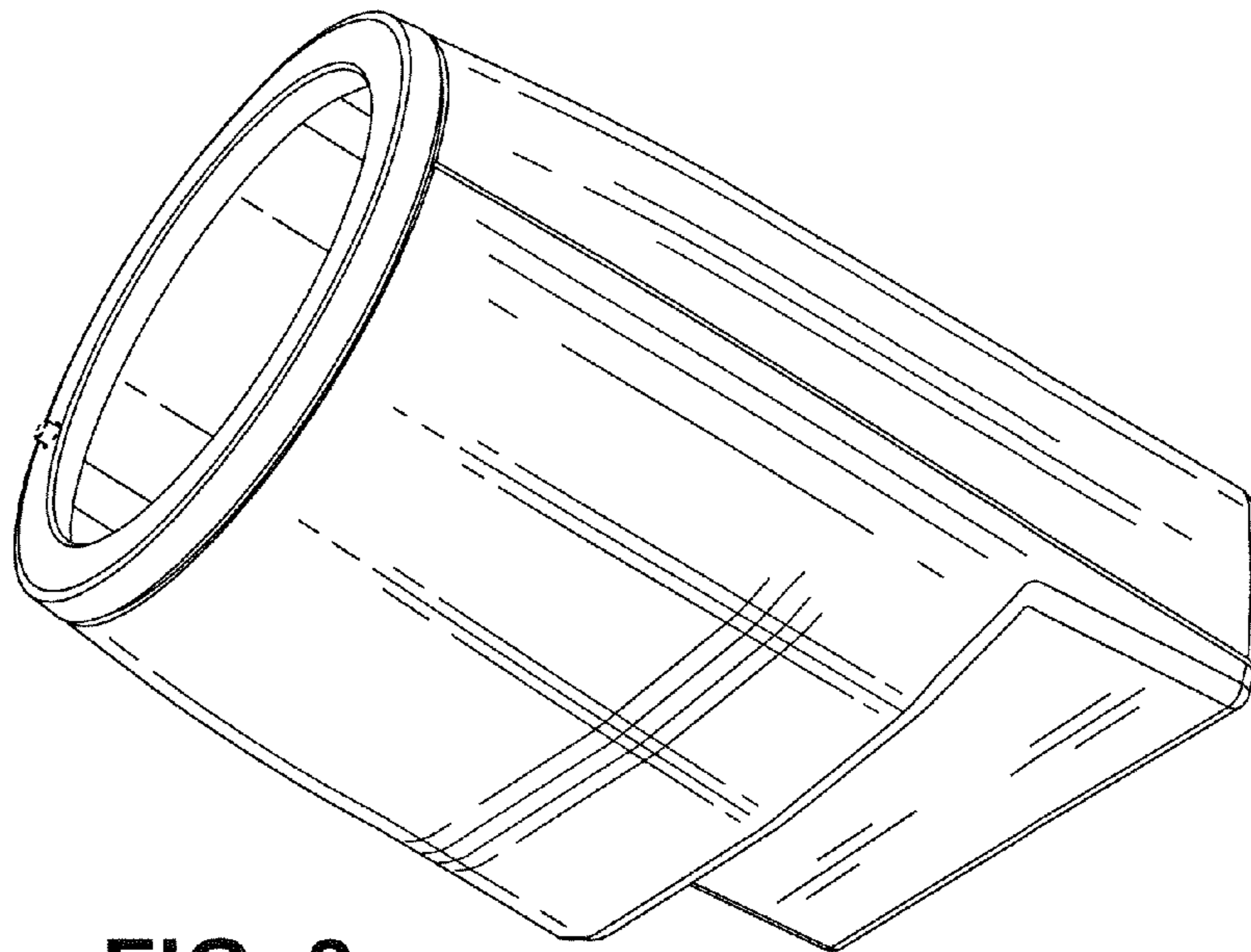
**FIG. 5**



**FIG. 6**



**FIG. 7**



**FIG. 8**