



US00D730418S

(12) **United States Design Patent**
Tjom

(10) **Patent No.:** **US D730,418 S**

(45) **Date of Patent:** **** May 26, 2015**

(54) **TRANSPORTATION UNIT FOR PLACING
EQUIPMENT ON THE SEA FLOOR**

(71) Applicant: **Abyssus Marine Services AS**, Asker
(NO)

(72) Inventor: **Kyrre J. Tjom**, Blommenholm (NO)

(73) Assignee: **Abyssus Marine Services AS** (NO)

(**) Term: **14 Years**

(21) Appl. No.: **29/438,727**

(22) Filed: **Dec. 3, 2012**

(51) **LOC (10) Cl.** **15-99**

(52) **U.S. Cl.**
USPC **D15/199; D12/308**

(58) **Field of Classification Search**
USPC D12/308, 324, 333; D15/199
See application file for complete search history.

(56) **References Cited**

U.S. PATENT DOCUMENTS

2,384,739	A *	9/1945	Hasbrook	73/382 R
3,345,879	A *	10/1967	Nasu et al.	175/403
3,940,982	A *	3/1976	Hironaka	73/170.32
D256,484	S *	8/1980	Kupperman et al.	D21/545
D259,553	S *	6/1981	Robinson	D12/308
D259,646	S *	6/1981	Grimberg et al.	D21/545
D447,109	S *	8/2001	Paoli et al.	D12/308
D461,445	S *	8/2002	Nuytten et al.	D12/308
6,463,801	B1 *	10/2002	Young et al.	73/170.32
D471,506	S *	3/2003	Mah	D12/308
D476,670	S *	7/2003	Adamson et al.	D15/199
D490,830	S *	6/2004	Raab et al.	D15/199

D503,754	S *	4/2005	Winston	D21/545
D505,104	S *	5/2005	Osumi et al.	D12/308
D507,776	S *	7/2005	Mah	D12/308
D512,678	S *	12/2005	Mah	D12/308
D524,225	S *	7/2006	Tsutsumi	D12/308
D527,702	S *	9/2006	Mah	D12/308
D578,463	S *	10/2008	Tureaud et al.	D12/308
D677,211	S *	3/2013	Tavares	D12/308
8,776,592	B2 *	7/2014	Liao	73/170.29

* cited by examiner

Primary Examiner — Patricia Palasik

(74) *Attorney, Agent, or Firm* — Thomas, Karceski & Kamilovich, P.C.

(57) **CLAIM**

The ornamental design for a transportation unit for placing equipment on the sea floor, as shown and described.

DESCRIPTION

FIG. 1 is a bottom perspective view of a transportation unit for placing equipment on the sea floor as shown in the deployed position.

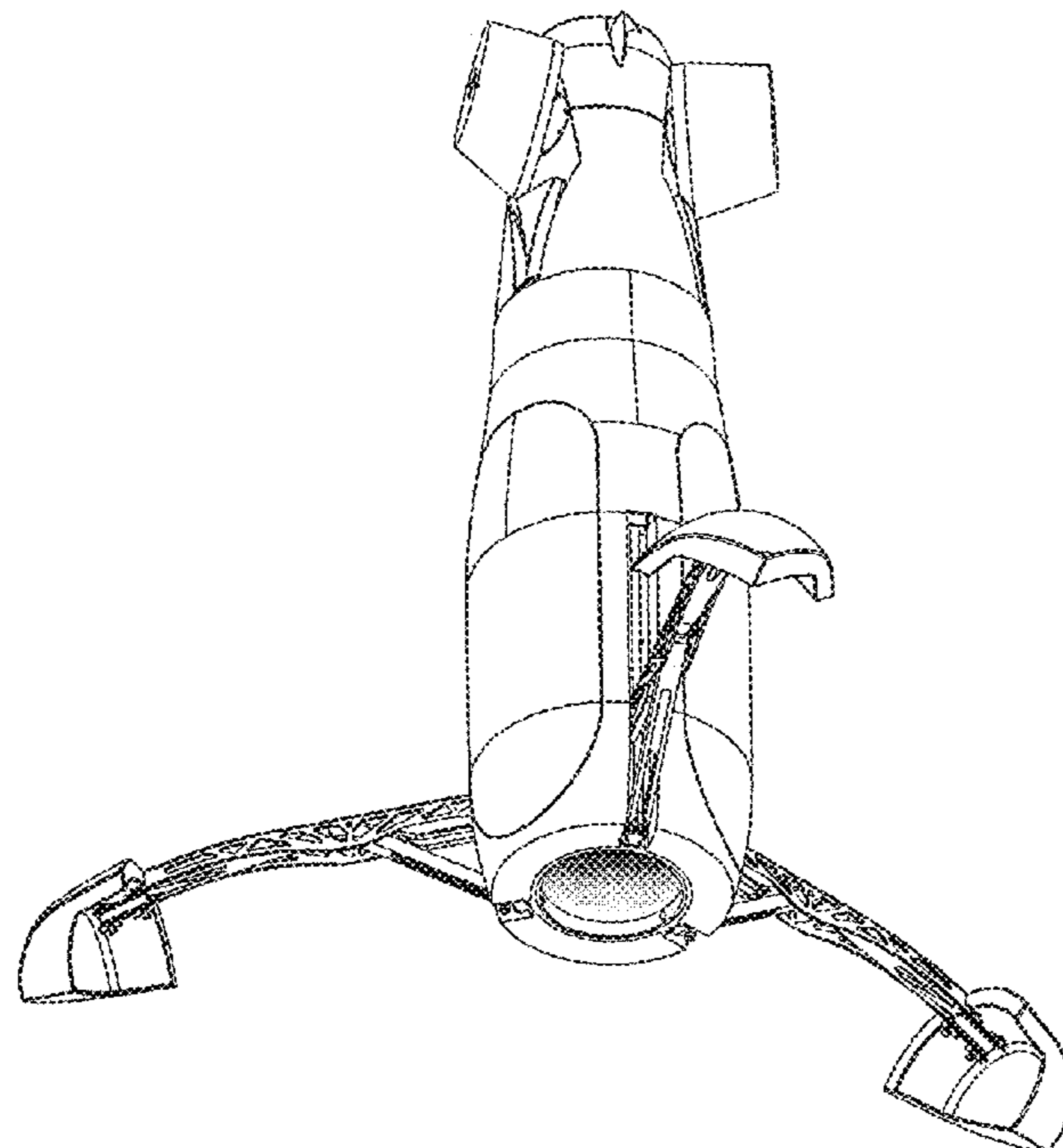
FIG. 2 is a top perspective view of the transportation unit for placing equipment on the sea floor as shown in FIG. 1 in the deployed position.

FIG. 3 is a perspective view of the right side and bottom end of the transportation unit for placing equipment on the sea floor as shown in the retracted position.

FIG. 4 is a perspective view of the left side and bottom end of the transportation unit for placing equipment on the sea floor as shown in the retracted position; and,

FIG. 5 is a top view of the transportation unit for placing equipment on the sea floor as shown in the deployed position as in FIGS. 1 and 2.

1 Claim, 5 Drawing Sheets



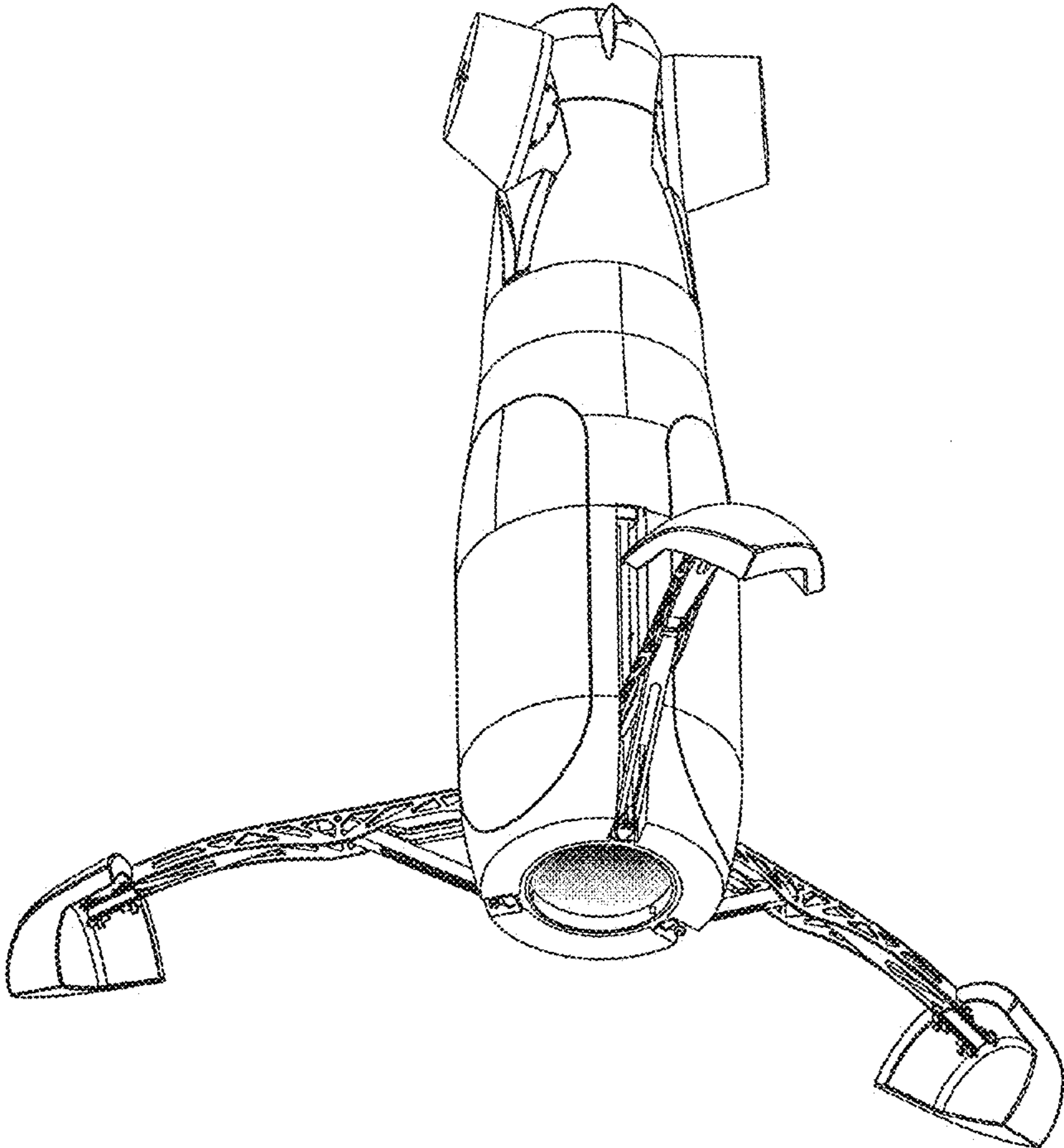


FIGURE 1

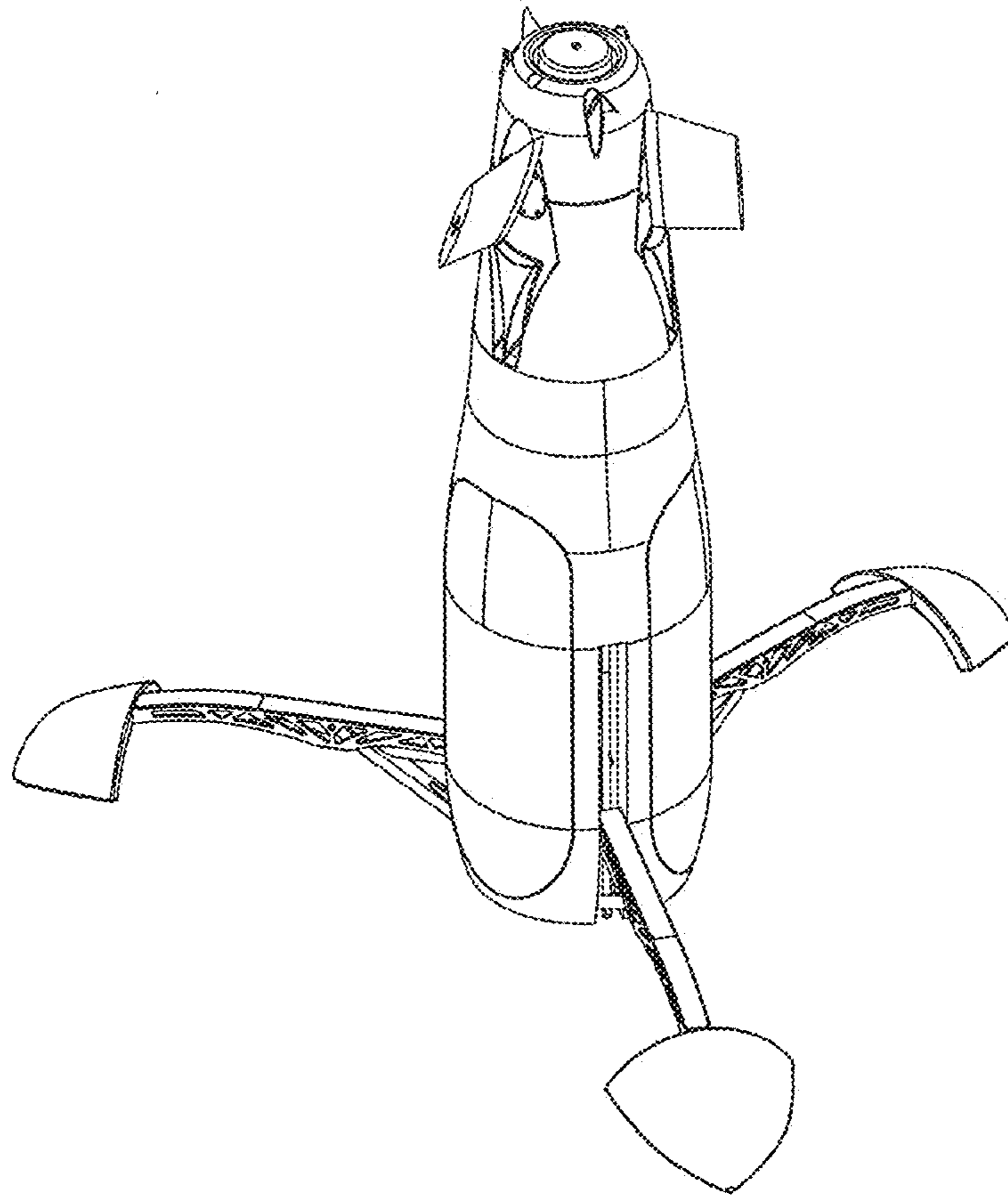


FIGURE 2

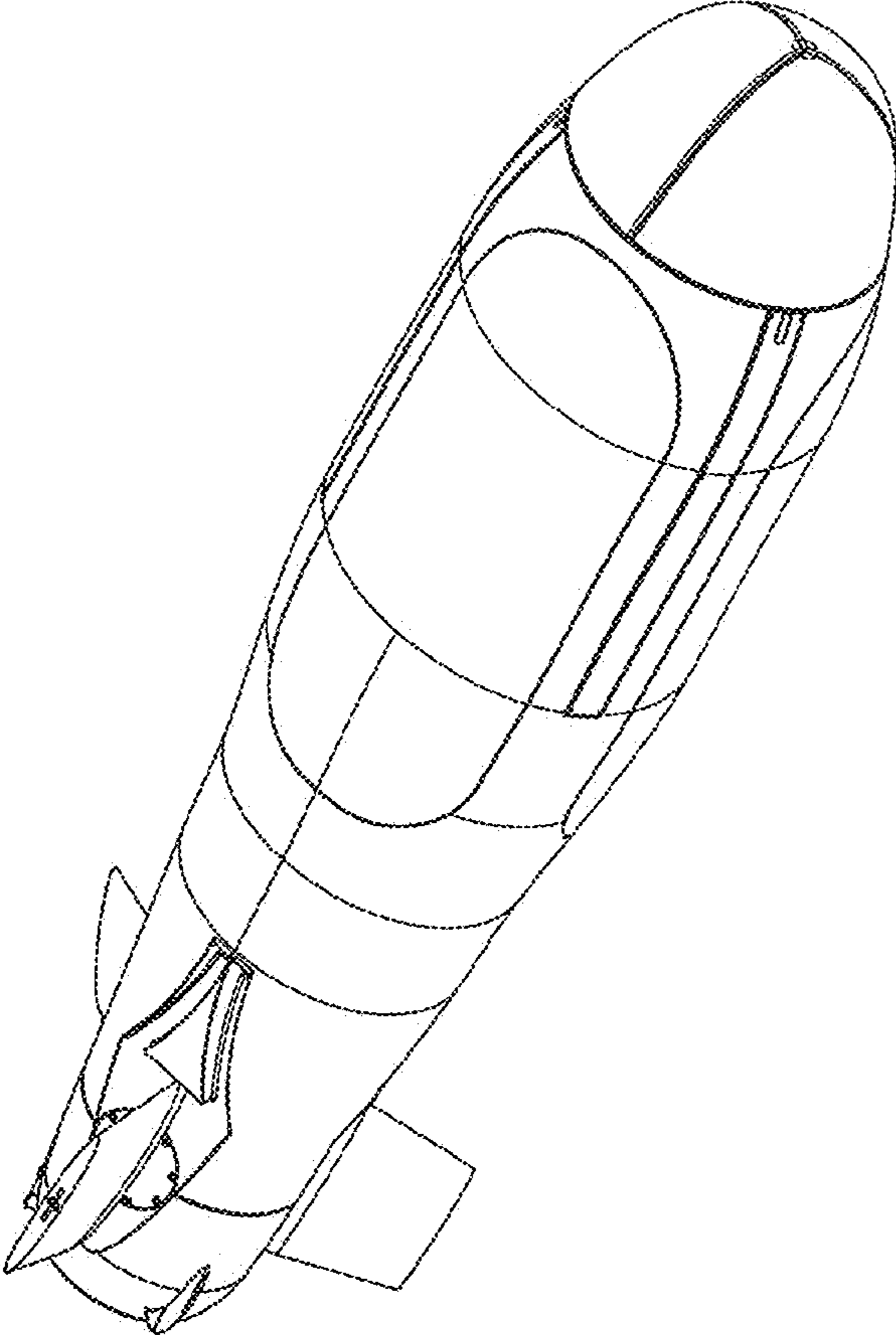


FIGURE 3

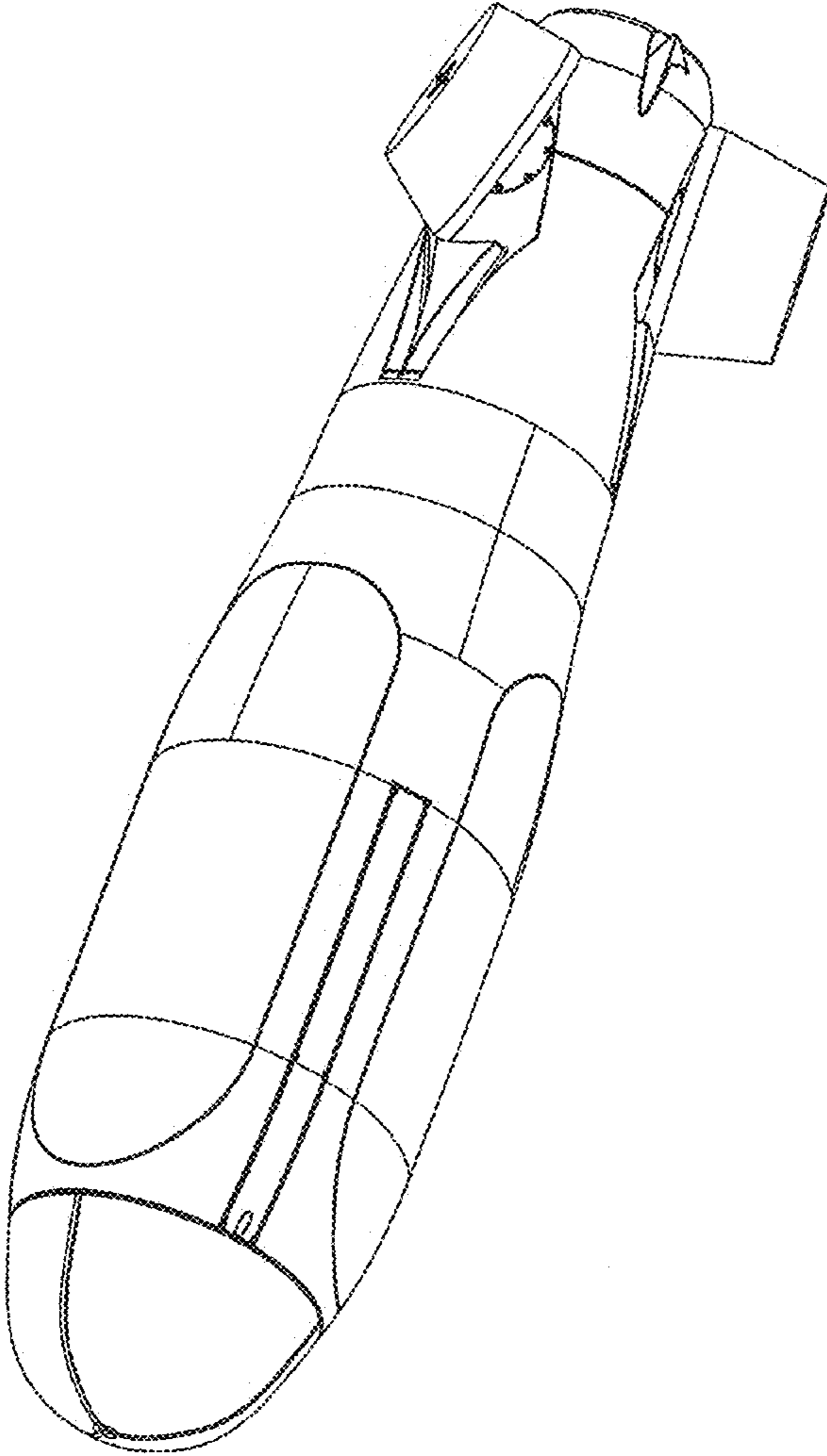


FIGURE 4

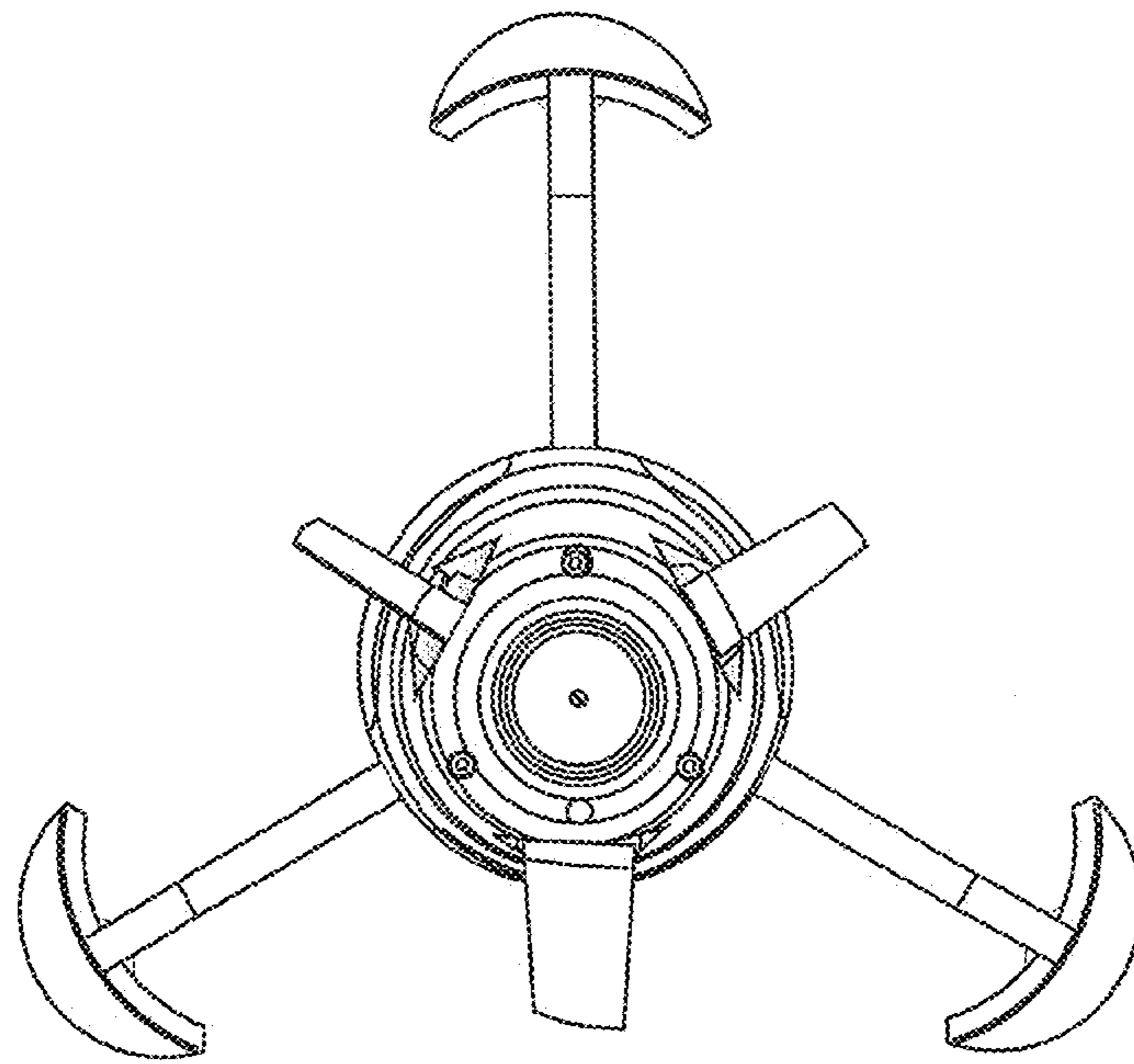


FIGURE 5