



US00D730417S

(12) **United States Design Patent**
McCarty et al.

(10) **Patent No.:** **US D730,417 S**

(45) **Date of Patent:** **** May 26, 2015**

(54) **VACUUM PORT**

(71) Applicant: **STOLLE MACHINERY COMPANY, LLC**, Centennial, CO (US)

(72) Inventors: **Patrick K. McCarty**, Dayton, OH (US);
Aaron E. Carstens, Centerville, OH (US)

(73) Assignee: **Stolle Machinery Company, LLC**, Centennial, CO (US)

(**) Term: **14 Years**

(21) Appl. No.: **29/457,031**

(22) Filed: **Jun. 6, 2013**

(51) **LOC (10) Cl.** **15-09**

(52) **U.S. Cl.**
USPC **D15/138**

(58) **Field of Classification Search**
USPC D15/138; D23/206
See application file for complete search history.

(56) **References Cited**

U.S. PATENT DOCUMENTS

D134,922	S	*	1/1943	Hart	D15/138
3,477,096	A	*	11/1969	Bowles et al.	425/405.2
3,699,997	A	*	10/1972	Kruger	137/320
4,460,361	A	*	7/1984	Nichols	604/319
5,193,859	A	*	3/1993	McKinnon	285/417
5,366,257	A	*	11/1994	McPherson et al.	285/148.11
5,625,947	A	*	5/1997	Crawford	29/890.14
6,317,997	B1	*	11/2001	Kooznetsoff et al.	34/92
D465,230	S	*	11/2002	Kreger et al.	D15/138
6,499,771	B1	*	12/2002	Snyder et al.	285/319
6,912,788	B2	*	7/2005	Tam et al.	30/124
D586,433	S	*	2/2009	Price et al.	D23/259
7,661,719	B1	*	2/2010	Nastri	285/143.1
D615,631	S	*	5/2010	Price et al.	D23/263

D639,406	S	*	6/2011	Bickerstaffe et al.	D23/300
D665,062	S	*	8/2012	Ball	D23/263
D684,669	S	*	6/2013	Eilmus	D23/243
D686,702	S	*	7/2013	Eilmus	D23/243
D686,703	S	*	7/2013	Eilmus	D23/243
D691,246	S	*	10/2013	Ward	D23/262
8,544,438	B2	*	10/2013	Lohr et al.	123/184.21
8,567,365	B2	*	10/2013	Lohr	123/184.21
D705,402	S	*	5/2014	Yu	D23/262
D712,015	S	*	8/2014	Yu	D23/263
D717,844	S	*	11/2014	Cappuccio	D15/133
D718,337	S	*	11/2014	Mitsuda	D15/5
2004/0222633	A1	*	11/2004	Amedure et al.	285/373
2012/0011833	A1	*	1/2012	Kamei et al.	60/297

* cited by examiner

Primary Examiner — Patricia Palasik

(74) *Attorney, Agent, or Firm* — Eckert Seamans Cherin & Mellott, LLC; Grant E. Coffield

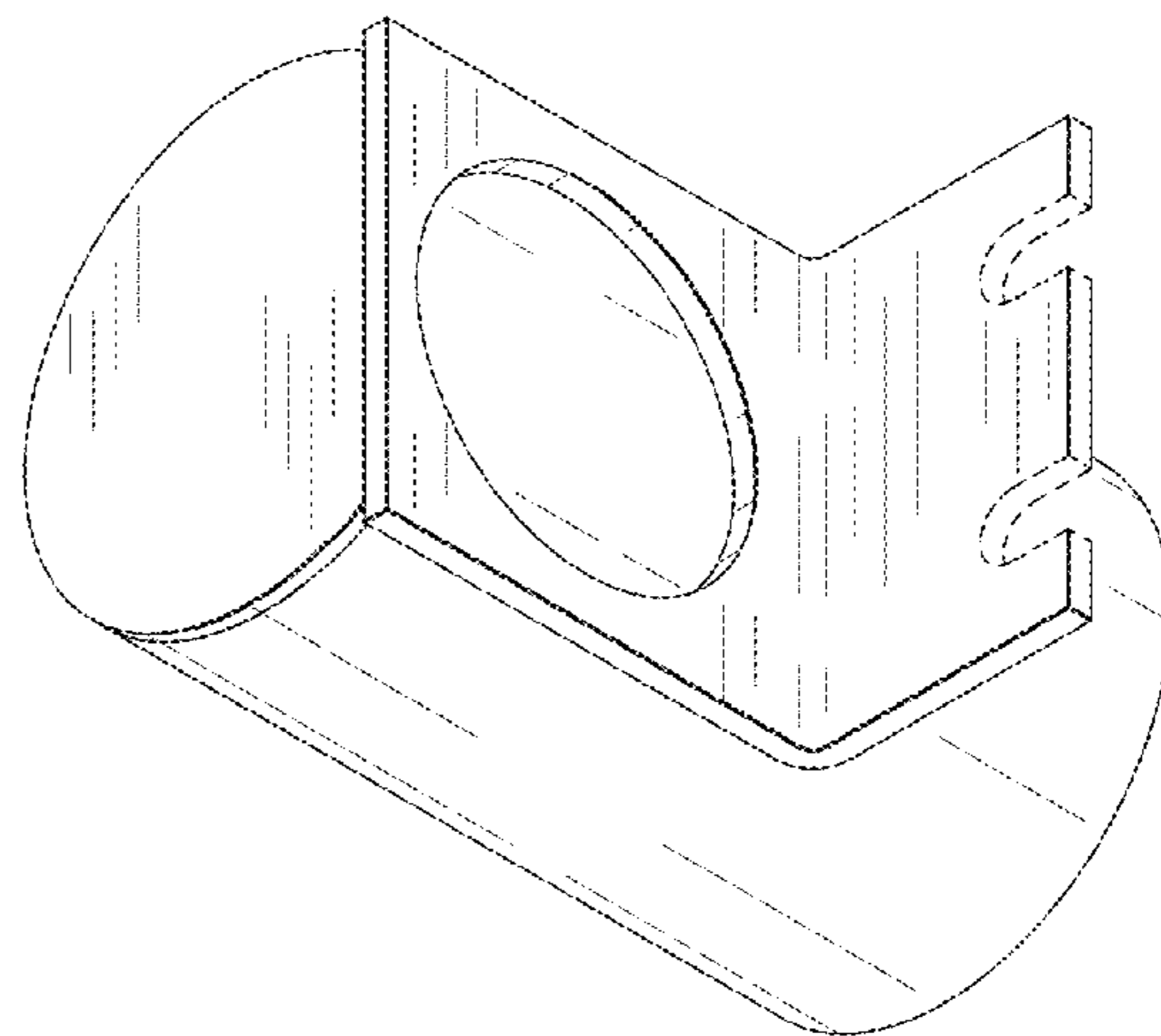
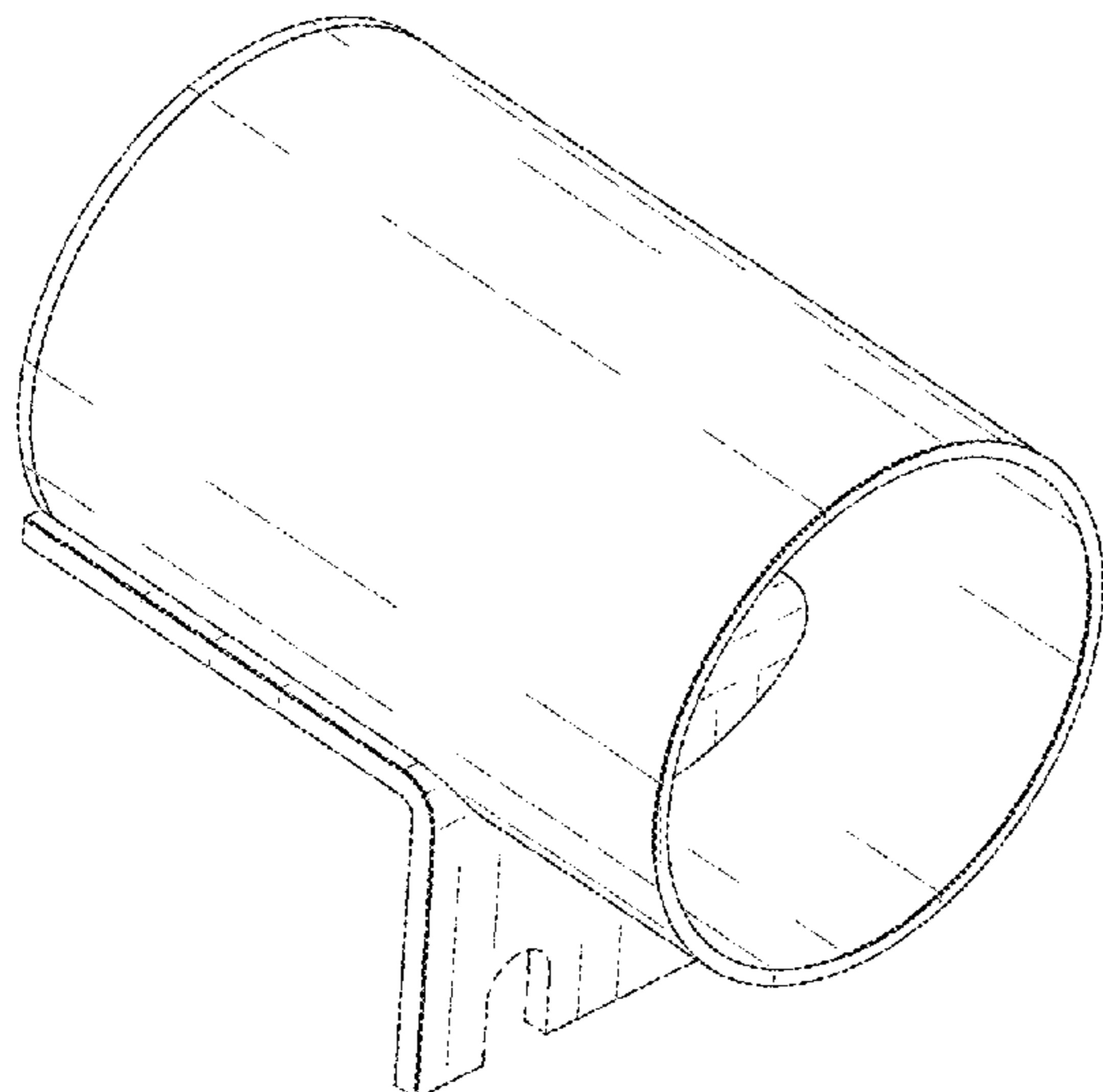
(57) **CLAIM**

The ornamental design for a vacuum port, as shown and described.

DESCRIPTION

FIG. 1 is a top isometric view of a vacuum port;
 FIG. 2 is a bottom isometric view of the vacuum port of FIG. 1;
 FIG. 3 is a top view of the vacuum port of FIG. 1;
 FIG. 4 is a bottom view of the vacuum port of FIG. 1;
 FIG. 5 is a right view of the vacuum port of FIG. 1;
 FIG. 6 is a front view of the vacuum port of FIG. 1;
 FIG. 7 is a back view of the vacuum port of FIG. 1; and,
 FIG. 8 is a section view taken along line 8-8 of FIG. 6.
 The portions shown in broken lines are for illustrative purposes only and do not form a part of the claimed design, The left side elevational views (not shown) of the vacuum port are mirror images of the right side elevational views.

1 Claim, 4 Drawing Sheets



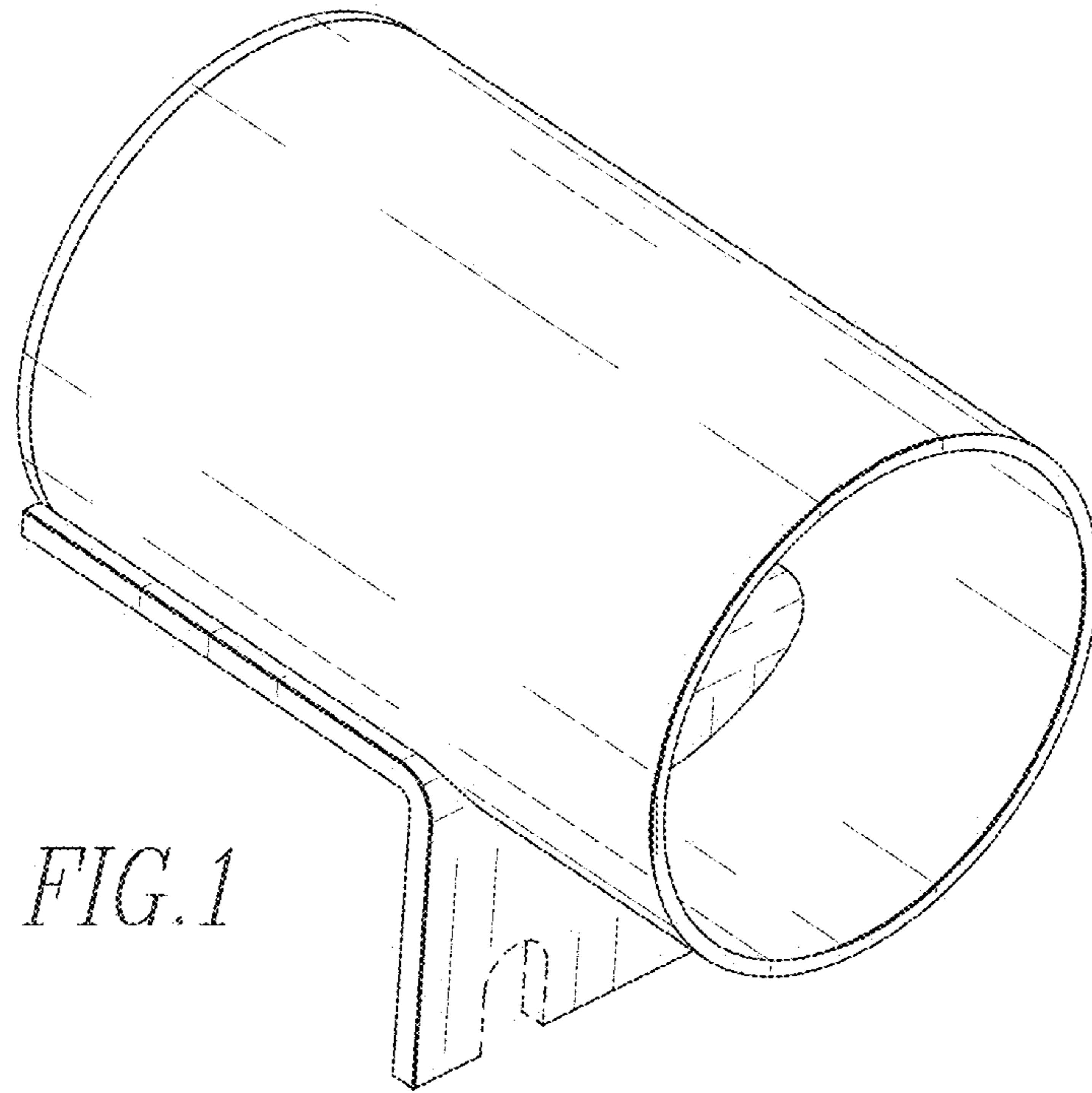


FIG. 1

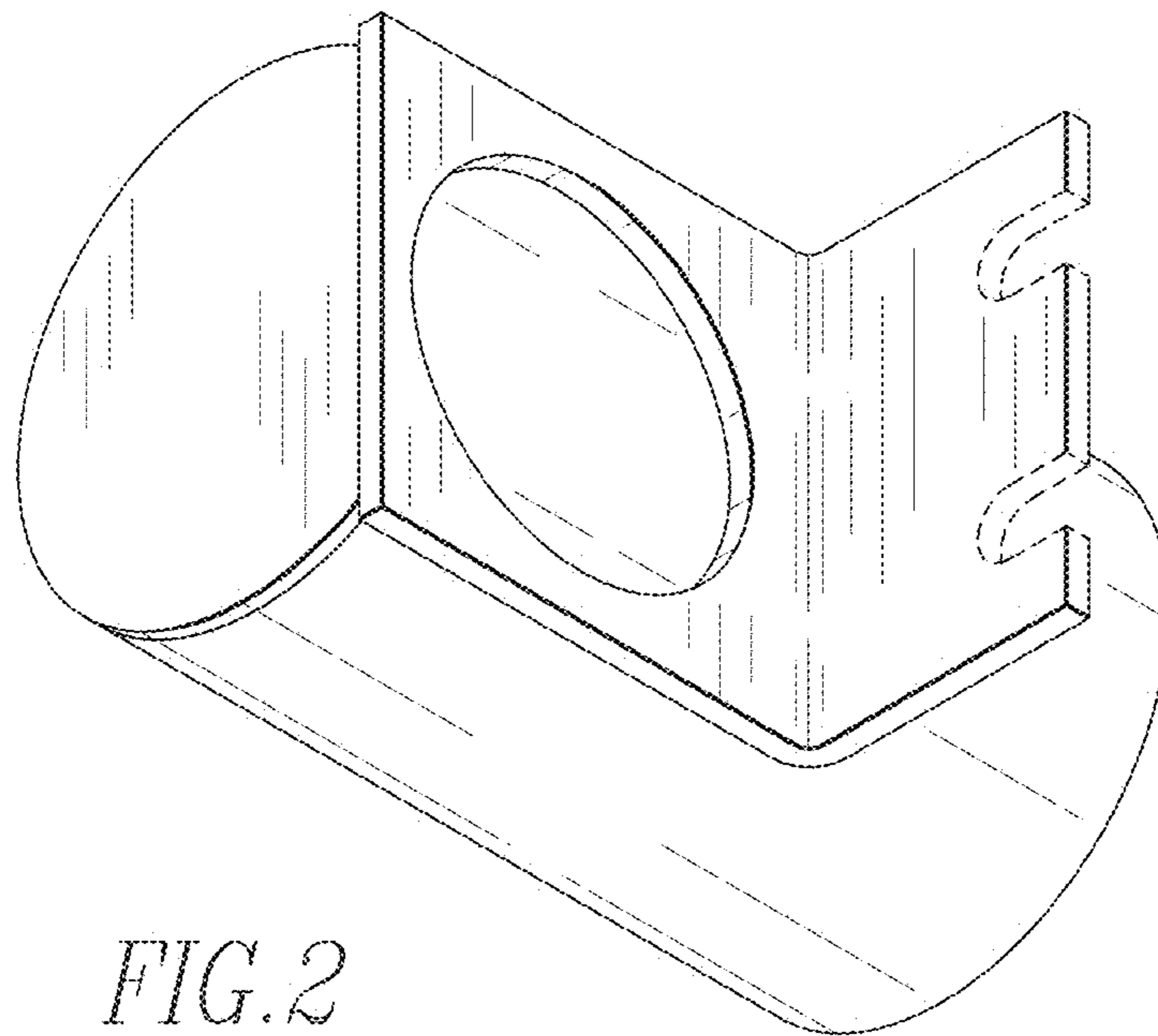


FIG. 2

FIG. 3

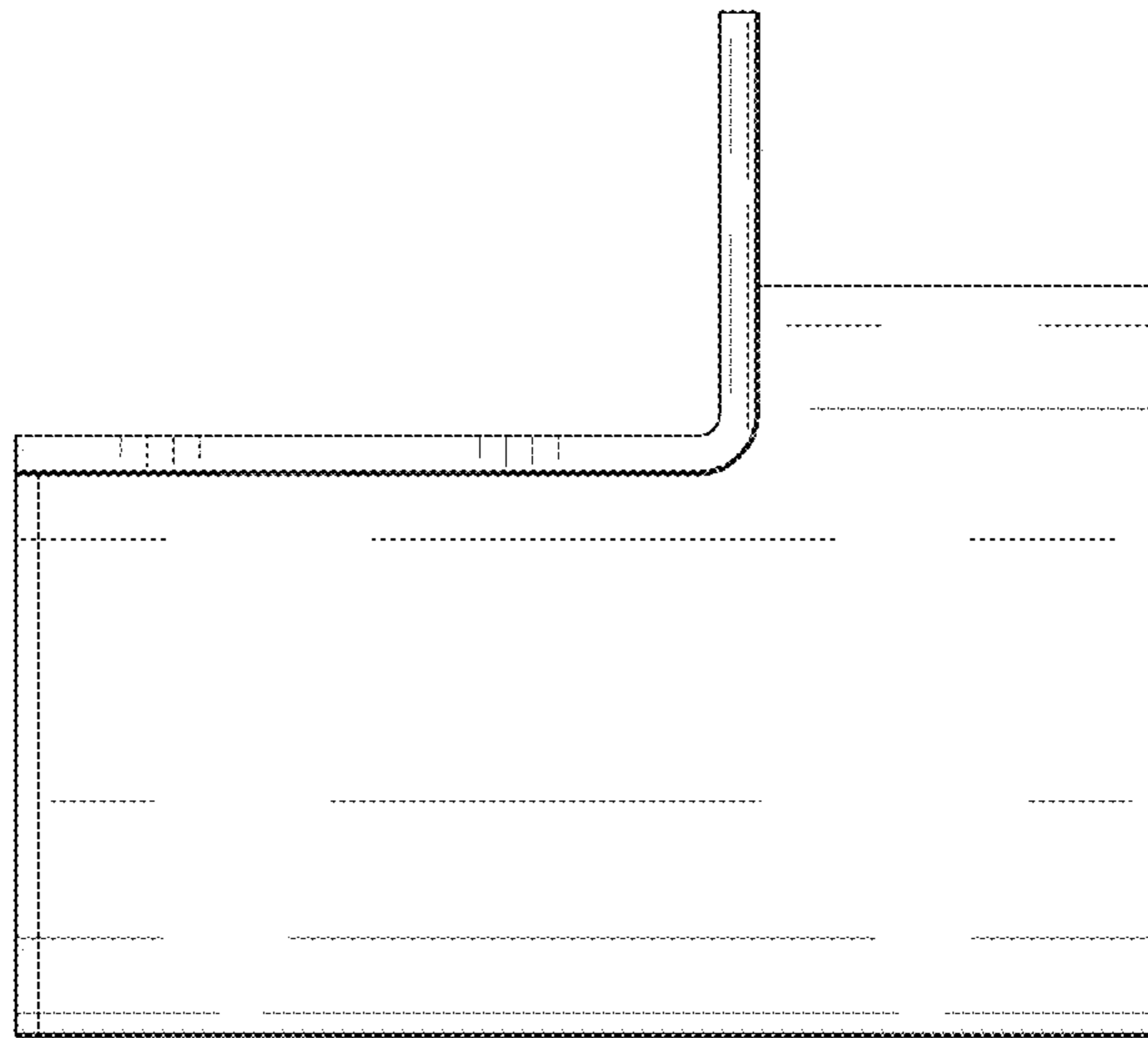
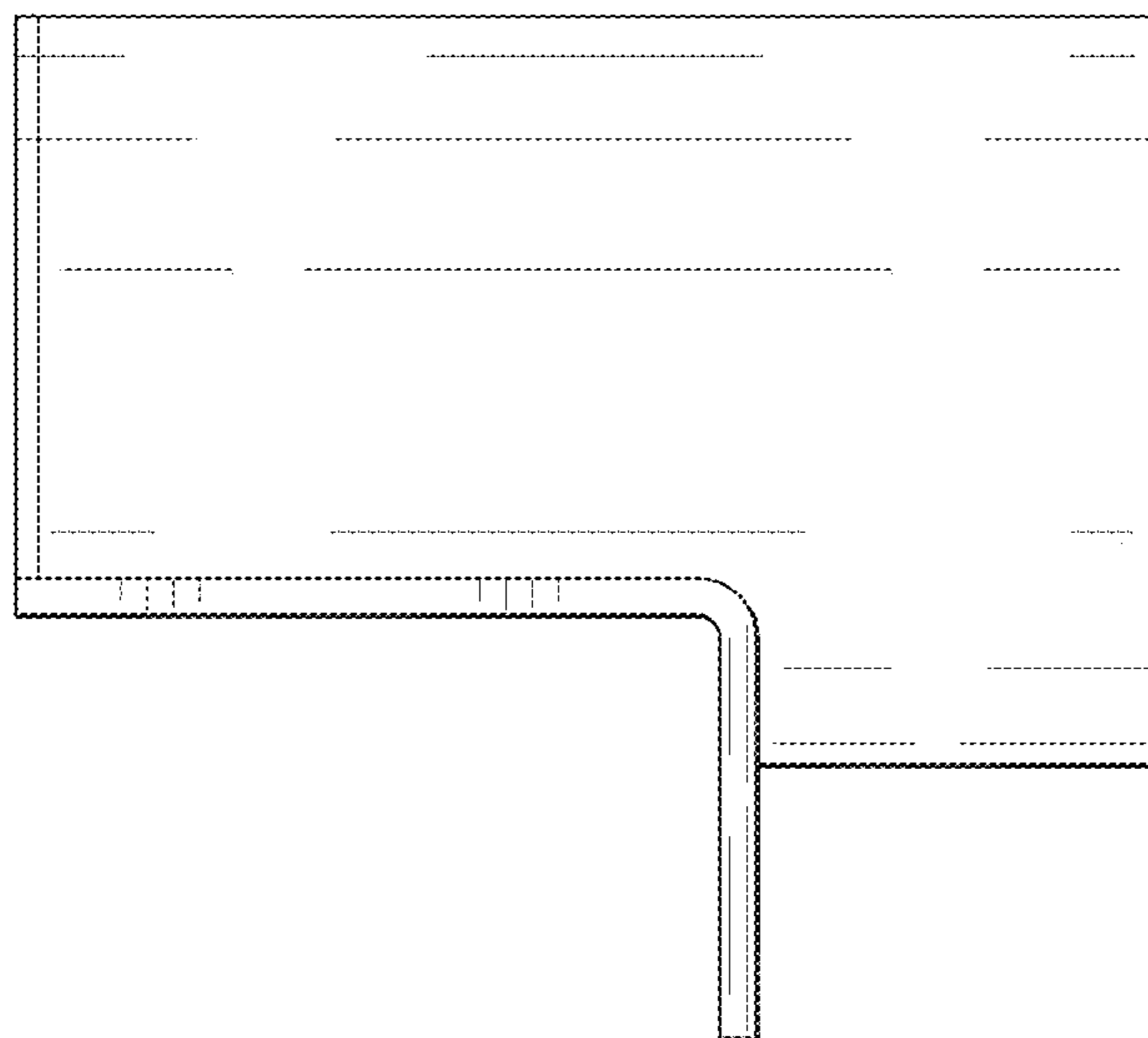


FIG. 5



FIG. 4



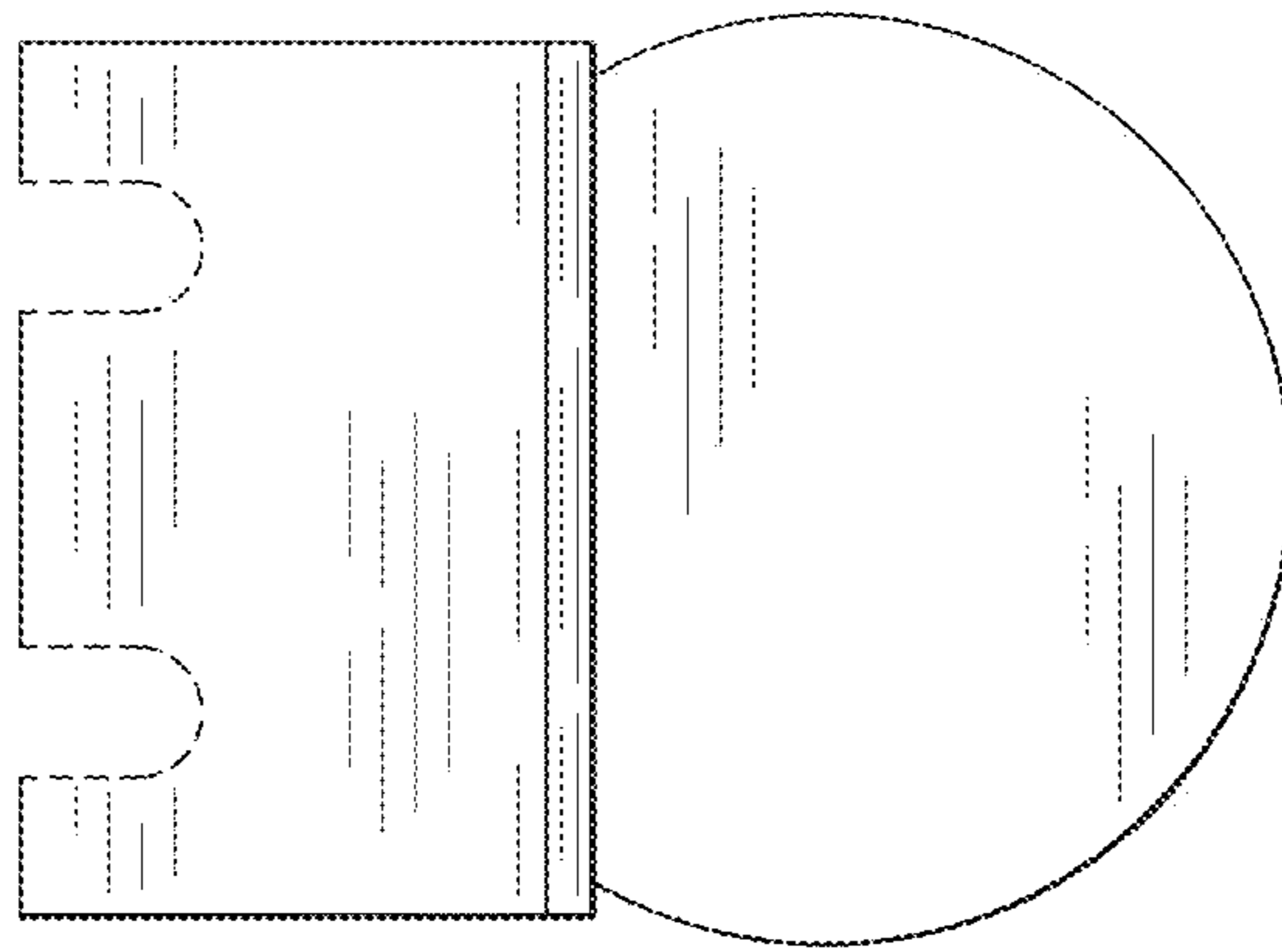


FIG. 7

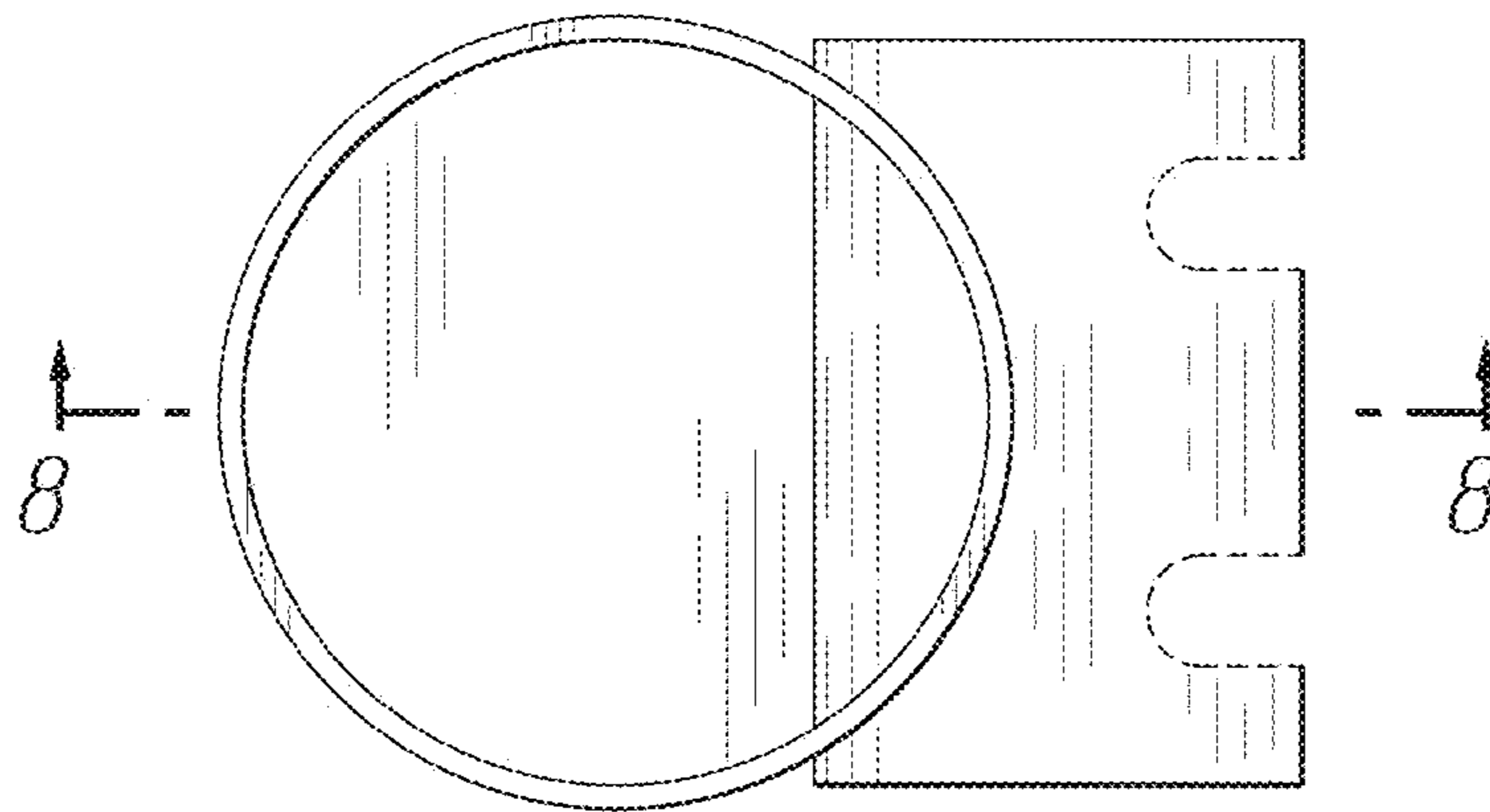


FIG. 6

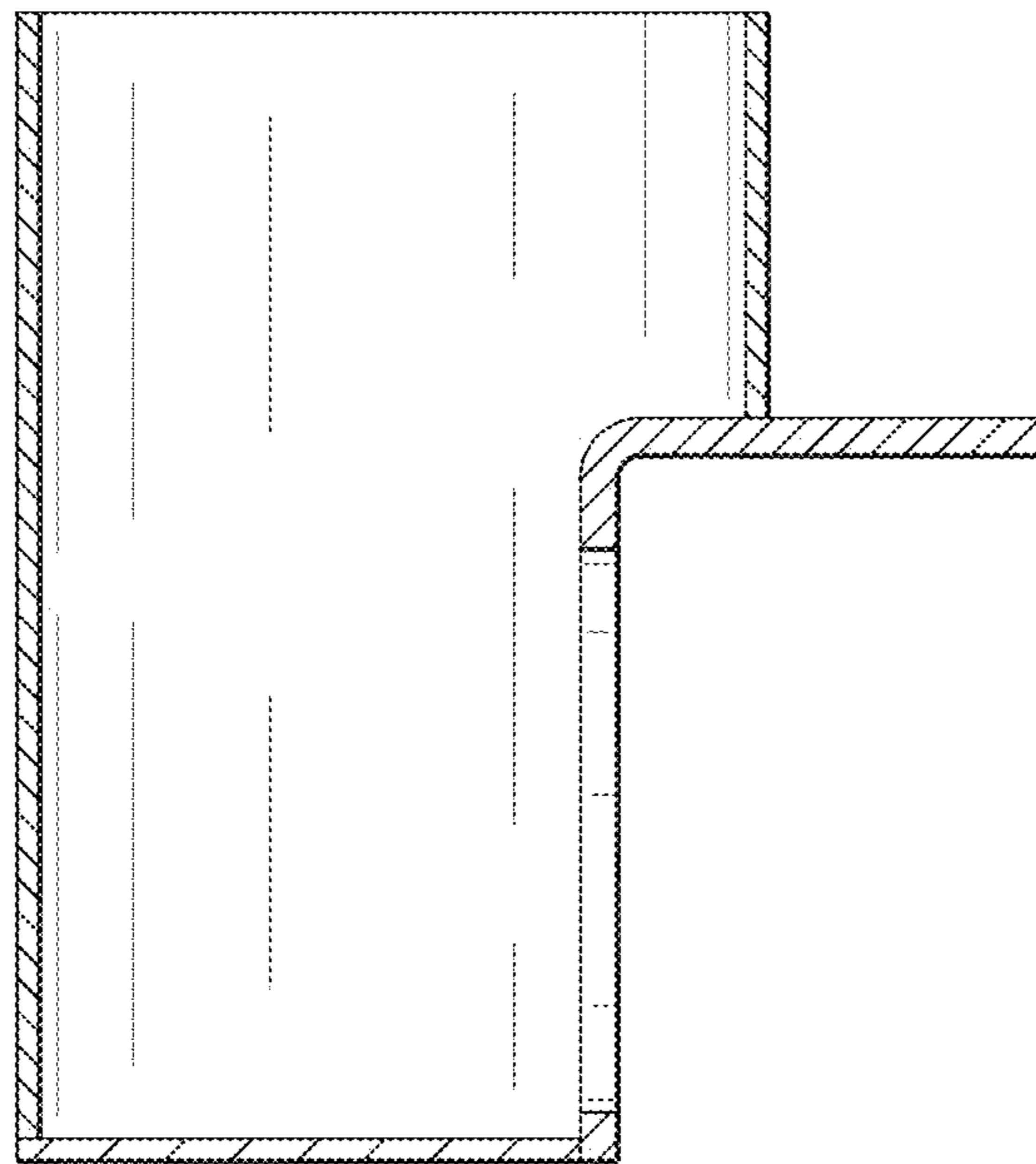


FIG. 8