



US00D730415S

(12) **United States Design Patent**  
**Malmqvist et al.**

(10) **Patent No.:** **US D730,415 S**

(45) **Date of Patent:** **\*\* May 26, 2015**

(54) **GYRATORY CRUSHER**

100/207, 208, 214, 268, 282, 292;  
241/31, 58, 159, 179, 186, 236, 285;  
435/86, 135, 347, 348.5, 349, 350,  
435/353, 355, 358, 360

(71) Applicants: **Patric Malmqvist**, Svedala (SE);  
**Bengt-Arne Eriksson**, Svedala (SE);  
**Frederik Eriksson**, Malmo (SE); **Axel**  
**Bergman**, Malmo (SE); **Mikael**  
**Larsson**, Eslov (SE)

See application file for complete search history.

(56) **References Cited**

U.S. PATENT DOCUMENTS

(72) Inventors: **Patric Malmqvist**, Svedala (SE);  
**Bengt-Arne Eriksson**, Svedala (SE);  
**Frederik Eriksson**, Malmo (SE); **Axel**  
**Bergman**, Malmo (SE); **Mikael**  
**Larsson**, Eslov (SE)

3,843,068	A *	10/1974	Allen et al. ....	241/285.1
8,070,084	B2 *	12/2011	Biggin et al. ....	241/209
D716,853	S *	11/2014	Malmqvist et al. ....	D15/123
2011/0006143	A1 *	1/2011	Gunnarsson et al. ....	241/215
2012/0223171	A1 *	9/2012	Flath et al. ....	241/207
2013/0075508	A1 *	3/2013	Stemper .....	241/207
2013/0334348	A1 *	12/2013	Dricken et al. ....	241/32
2014/0084095	A1 *	3/2014	Glauberman et al. ....	241/277

(73) Assignee: **Sandvik Intellectual Property AB**,  
Sandviken (SE)

\* cited by examiner

(\*\*) Term: **14 Years**

*Primary Examiner* — Patricia Palasik

(21) Appl. No.: **29/450,772**

(74) *Attorney, Agent, or Firm* — Corinne R. Gorski

(22) Filed: **Mar. 22, 2013**

(57) **CLAIM**

The ornamental design for a gyratory crusher, as shown.

(30) **Foreign Application Priority Data**

**DESCRIPTION**

Feb. 11, 2013	(EM)	001360325-0001
Feb. 11, 2013	(EM)	001360325-0002
Feb. 11, 2013	(EM)	001360325-0003
Feb. 11, 2013	(EM)	001360325-0004
Feb. 11, 2013	(EM)	001360325-0005
Feb. 11, 2013	(EM)	001360325-0006

FIG. 1 is a perspective view of a gyratory crusher;

FIG. 2 is a first side view thereof;

FIG. 3 is a second side view thereof;

FIG. 4 is a front view thereof;

FIG. 5 is a rear view thereof;

FIG. 6 is a top view thereof; and,

FIG. 7 is a bottom view thereof.

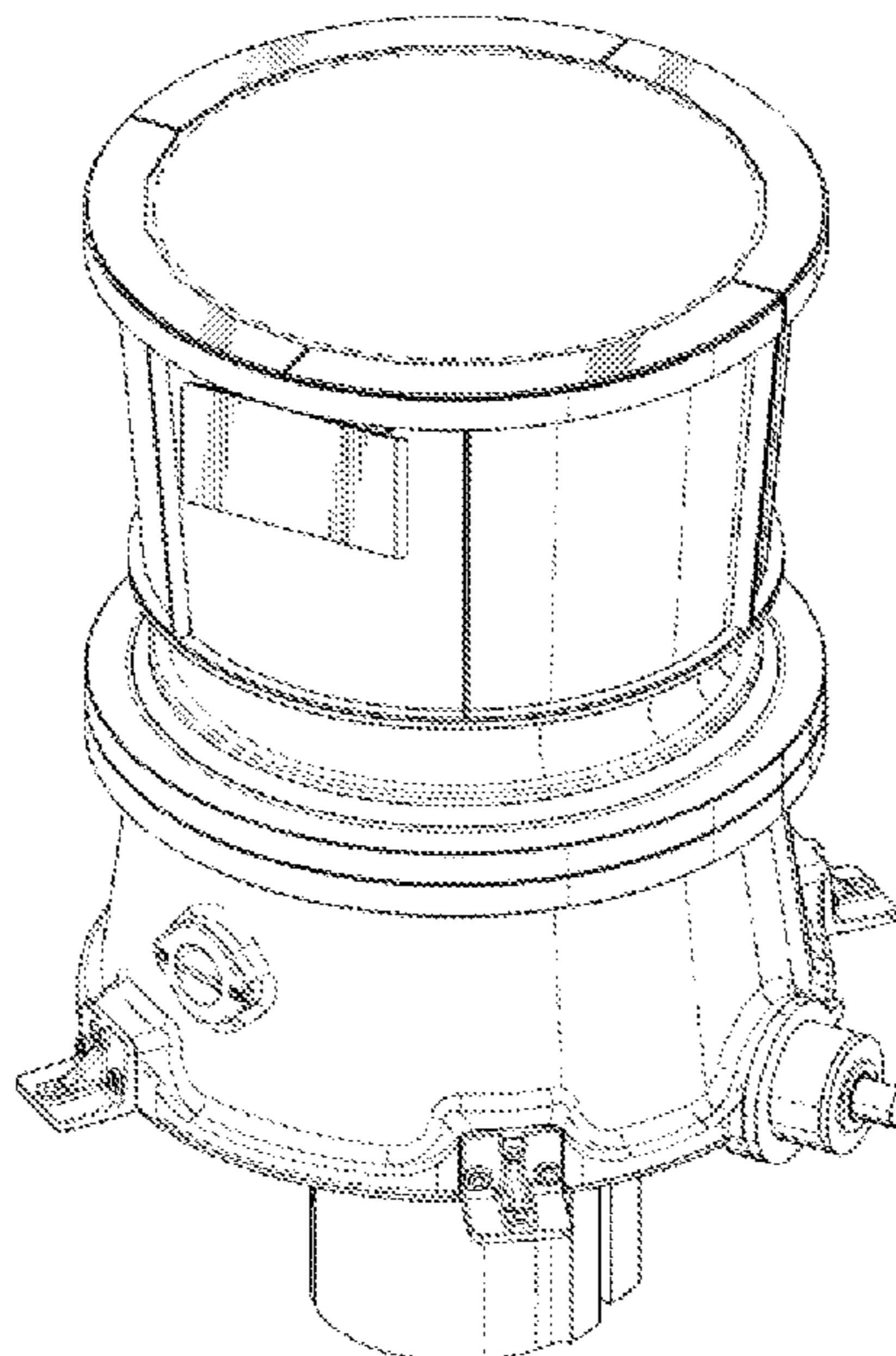
The broken lines in the drawings depict unclaimed environmental subject matter.

(51) **LOC (10) Cl.** ..... **15-09**

(52) **U.S. Cl.**  
USPC ..... **D15/123**

(58) **Field of Classification Search**  
USPC ..... D15/122, 123; 72/448, 455, 465;

**1 Claim, 7 Drawing Sheets**



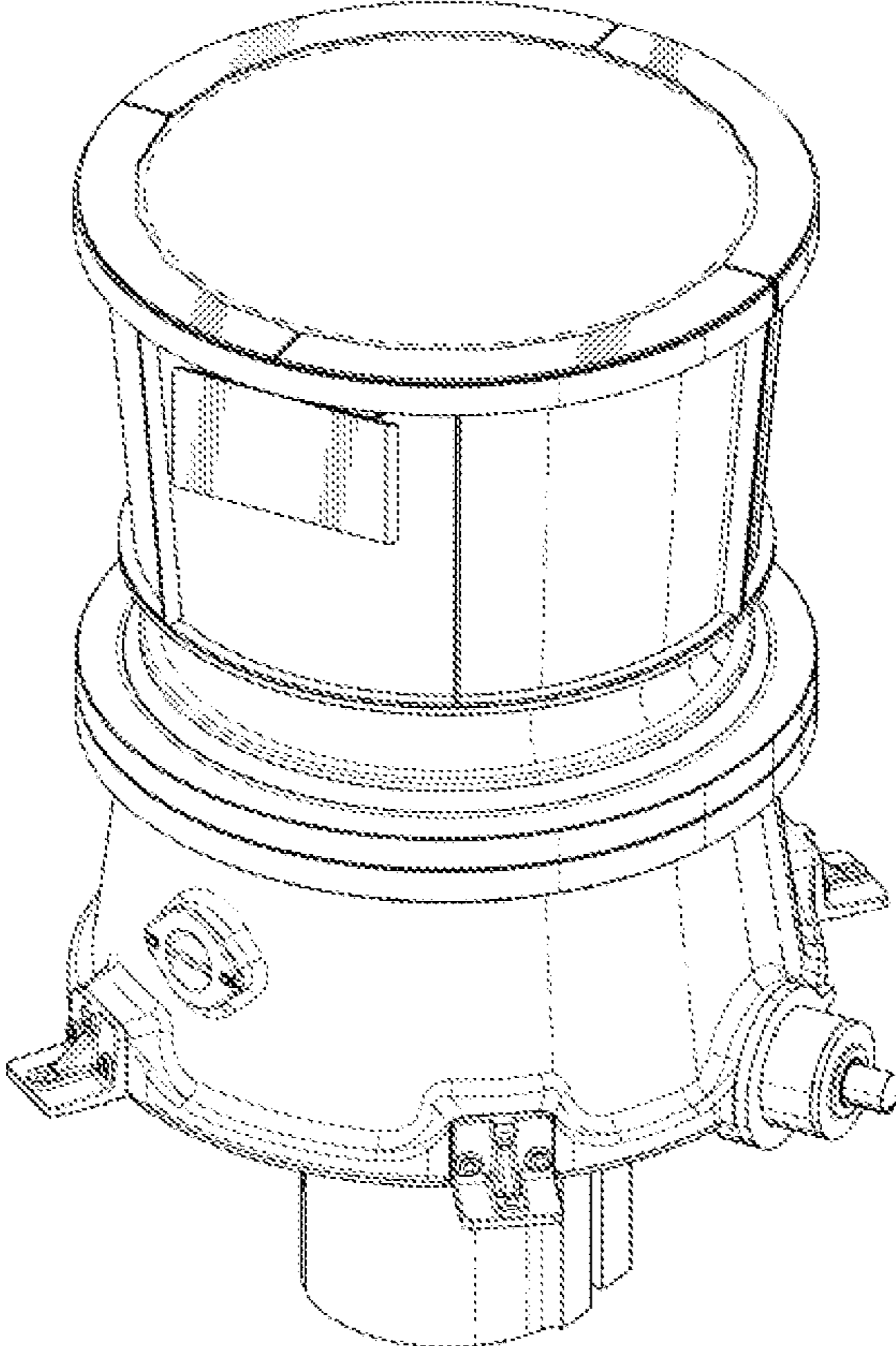


FIG. 1

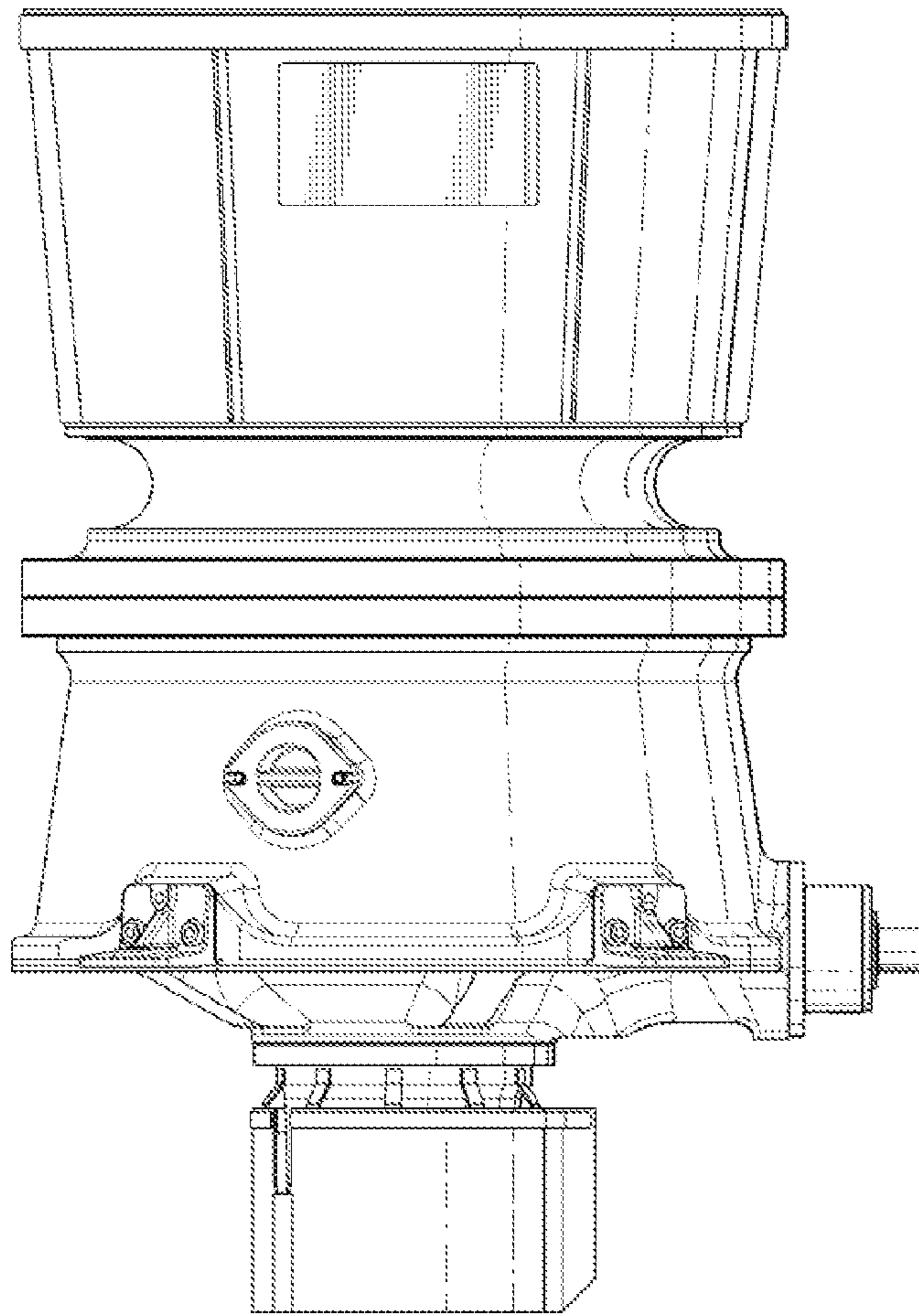


FIG. 2

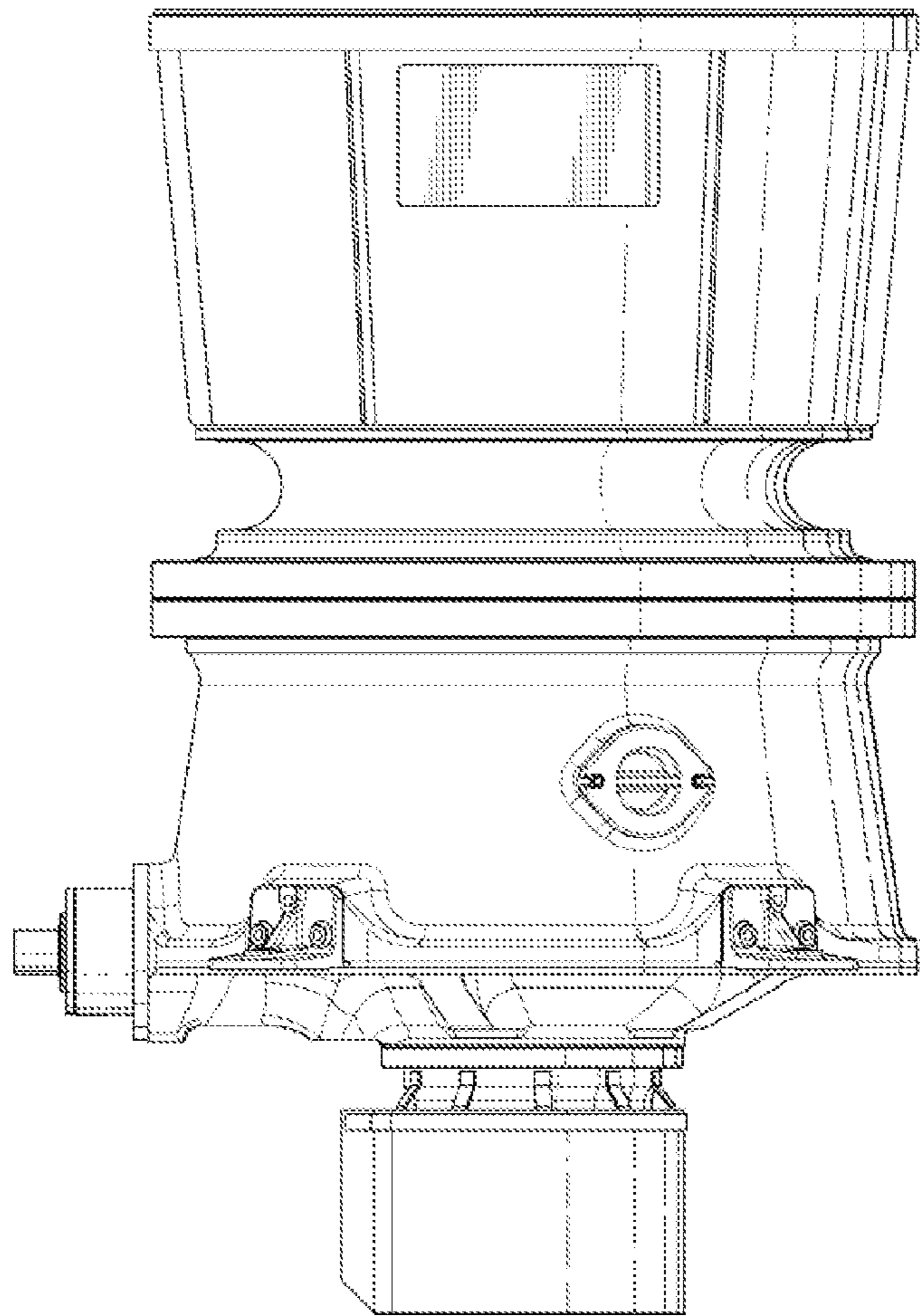


FIG. 3

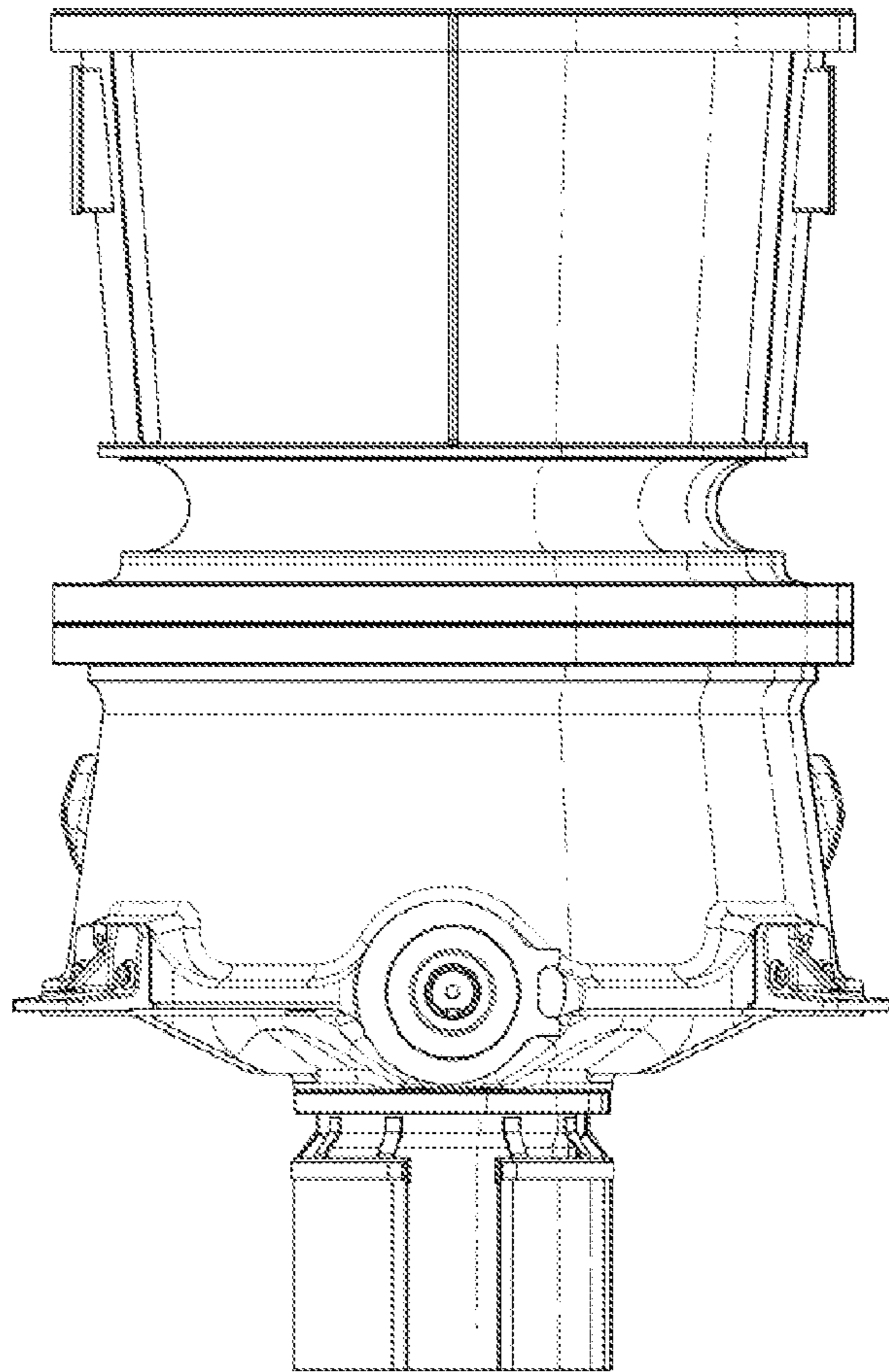


Fig. 4

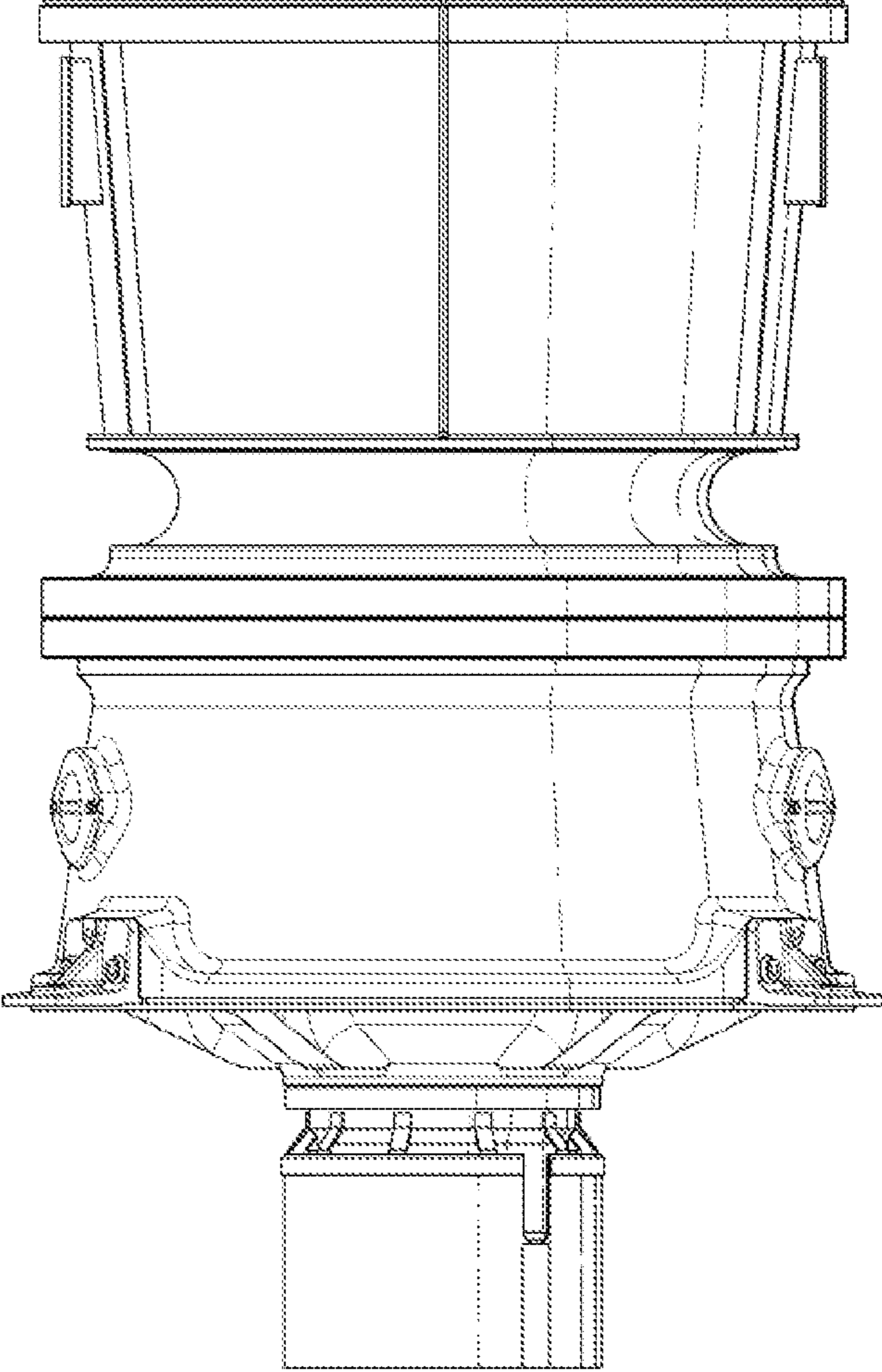


FIG. 5

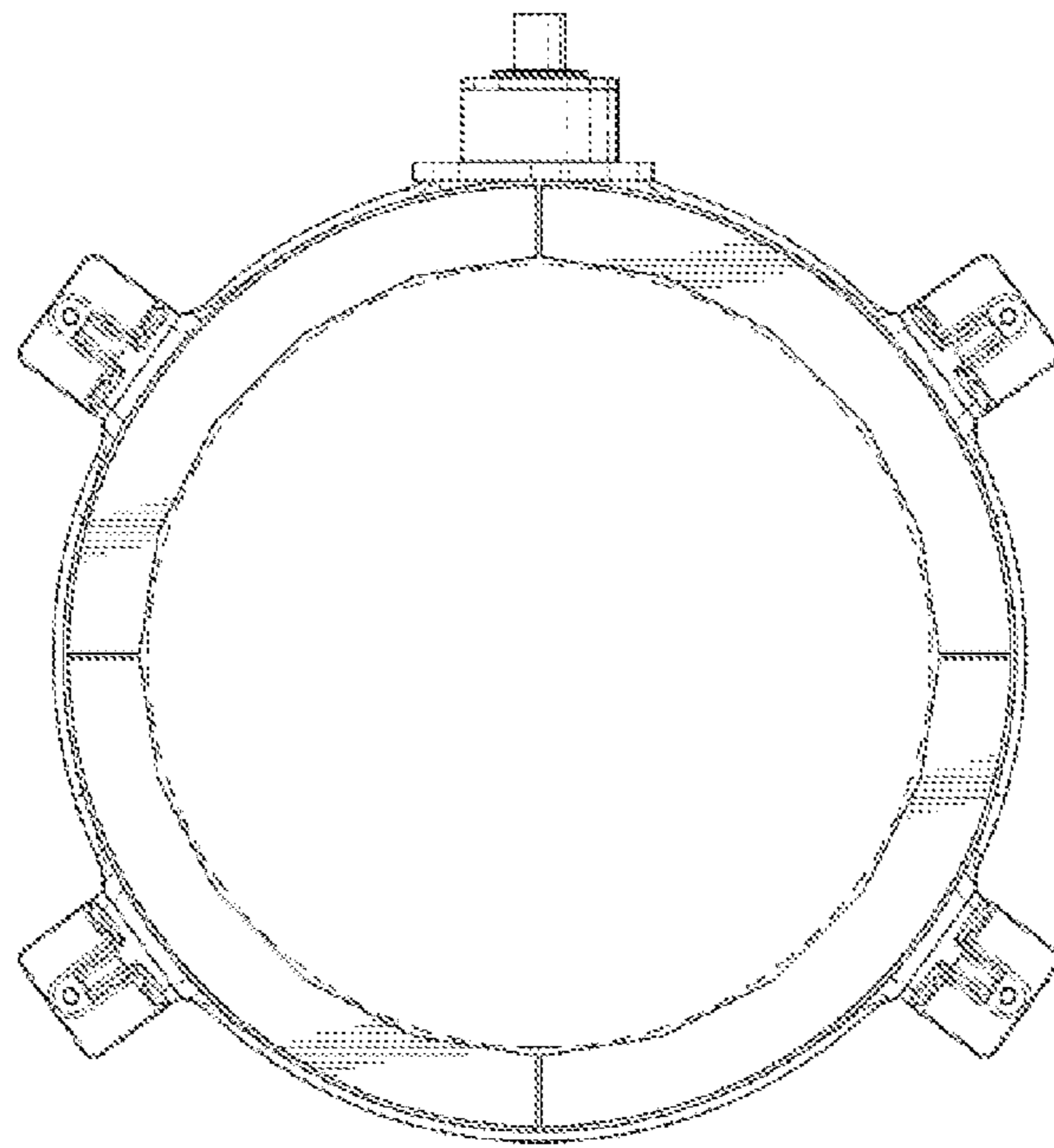


FIG. 6

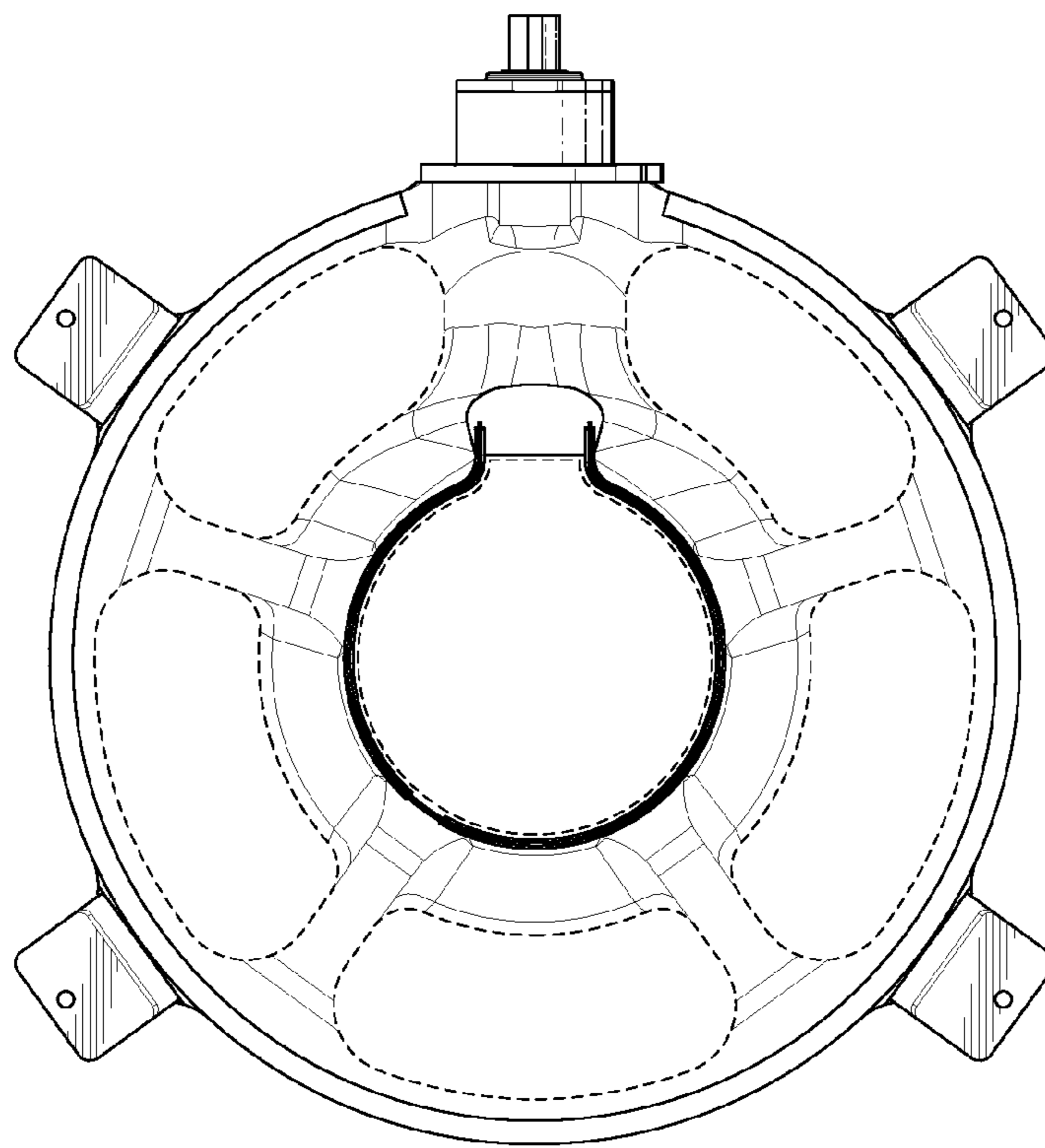


Fig. 7