



US00D730412S

(12) **United States Design Patent**
Nitta

(10) **Patent No.:** **US D730,412 S**

(45) **Date of Patent:** **** May 26, 2015**

(54) **POINT TURNER FOR SEWING**

(71) Applicant: **CLOVER MFG. CO., LTD.**, Osaka-shi,
Osaka (JP)

(72) Inventor: **Kumiko Nitta**, Osaka (JP)

(73) Assignee: **CLOVER MFG. CO., LTD.**, Osaka (JP)

(**) Term: **14 Years**

(21) Appl. No.: **29/479,854**

(22) Filed: **Jan. 21, 2014**

(30) **Foreign Application Priority Data**

Oct. 10, 2013 (JP) 2013-023686

(51) **LOC (10) Cl.** **15-06**

(52) **U.S. Cl.**
USPC **D15/78**

(58) **Field of Classification Search**
CPC D05B 91/00; D05B 91/12; D05B 93/00;
D05B 37/02; D05B 37/04; D05B 37/00;
D05B 89/00
USPC D15/77, 78; D3/18; D8/14, 16, 18;
D7/688; D32/46, 48, 49, 40; D22/118
See application file for complete search history.

(56) **References Cited**

U.S. PATENT DOCUMENTS

485,538	A *	11/1892	Forbes et al.	112/128
D156,056	S *	11/1949	Kuy	D8/102
D187,629	S *	4/1960	Dolgorukov et al.	D8/102
3,756,175	A *	9/1973	Rogers	112/128
2005/0262704	A1 *	12/2005	DiSanto	30/289
2009/0149868	A1 *	6/2009	Shelton et al.	606/138

* cited by examiner

Primary Examiner — Mitchell Siegel

(74) *Attorney, Agent, or Firm* — Hamre, Schumann, Mueller & Larson, P.C.

(57) **CLAIM**

I claim the ornamental design for a point turner for sewing, as shown.

DESCRIPTION

FIG. 1 is a perspective view of a point turner for sewing showing my new design;
FIG. 2 is a front view of the same, the rear view being symmetrical to the front view;
FIG. 3 is a left side view of the same;
FIG. 4 is a right side view of the same;
FIG. 5 is a top plan view of the same; and,
FIG. 6 is a bottom view of the same.

1 Claim, 3 Drawing Sheets

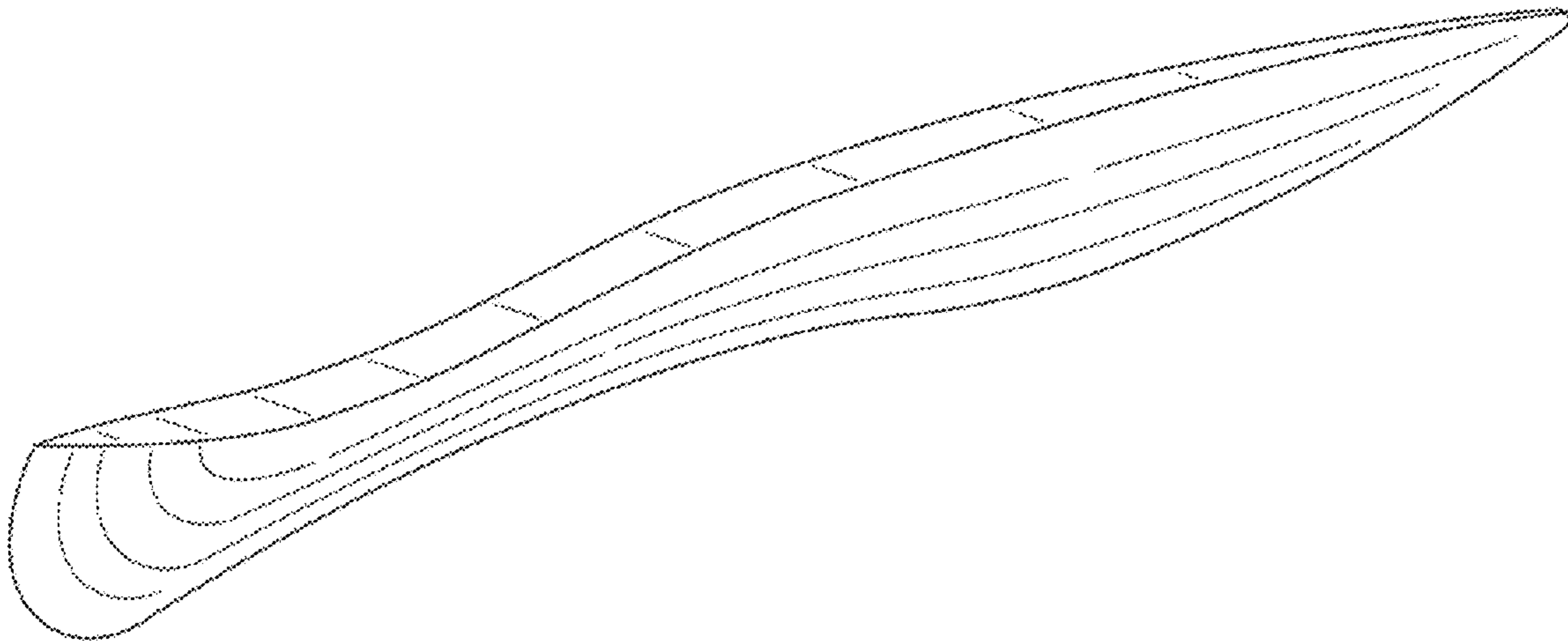


FIG. 1

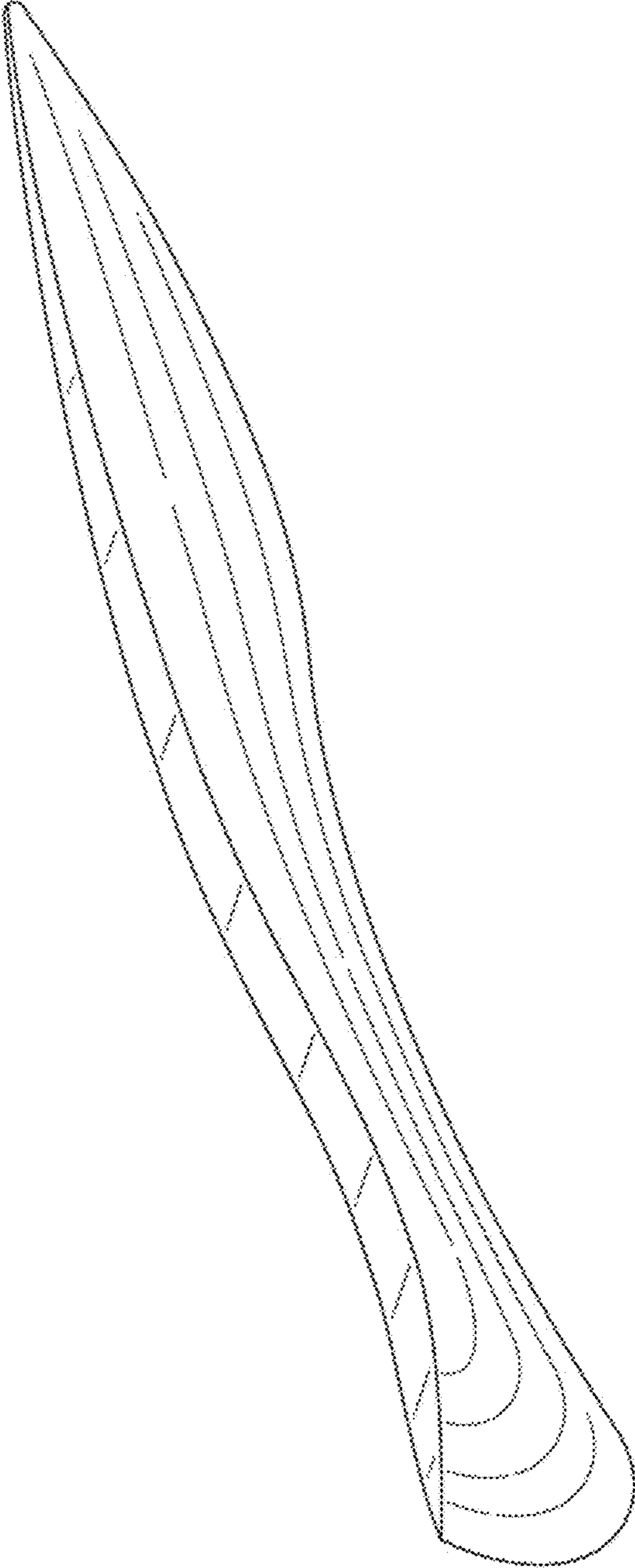


FIG. 2

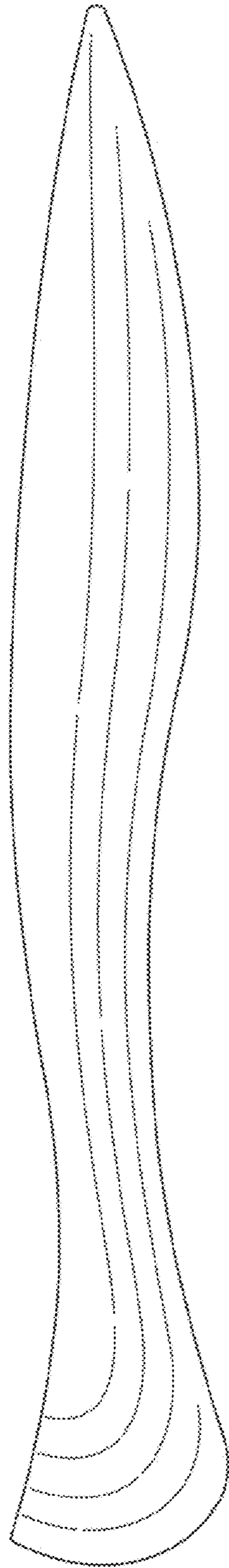


FIG. 3

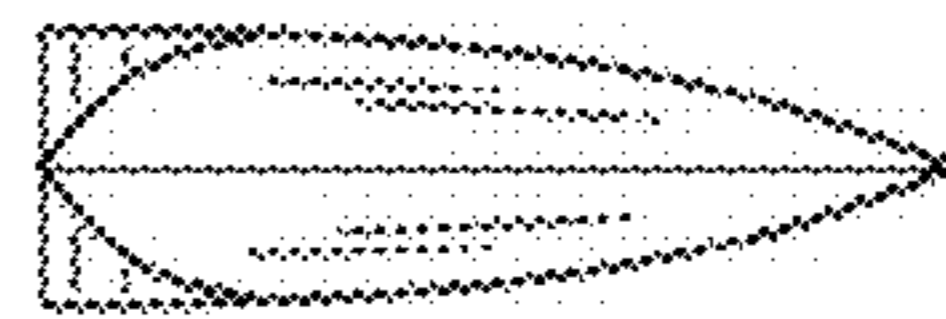


FIG. 4

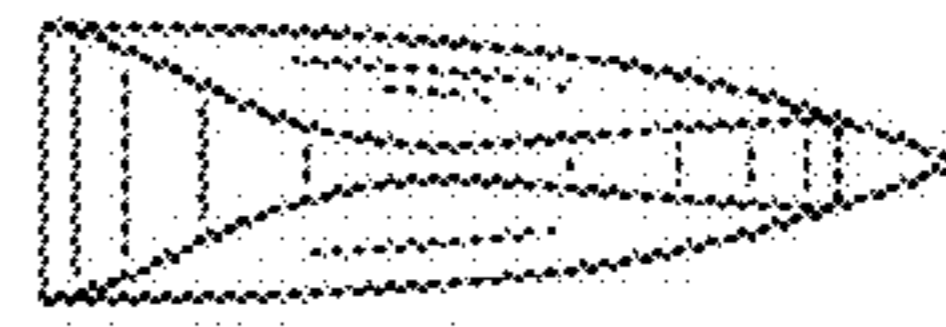


FIG. 5



FIG. 6

