

US00D730411S

(12) **United States Design Patent**
Kudo

(10) **Patent No.:** **US D730,411 S**

(45) **Date of Patent:** **** May 26, 2015**

(54) **SEWING MACHINE**

(71) Applicant: **Shigenori Kudo**, Yamagata (JP)

(72) Inventor: **Shigenori Kudo**, Yamagata (JP)

(73) Assignee: **SUZUKI MANUFACTURING, LTD.**,
Yamagata (JP)

(**) Term: **14 Years**

(21) Appl. No.: **29/479,482**

(22) Filed: **Jan. 16, 2014**

(30) **Foreign Application Priority Data**

Jul. 19, 2013 (JP) 2013-016427

(51) **LOC (10) Cl.** **15-06**

(52) **U.S. Cl.**
USPC **D15/69**

(58) **Field of Classification Search**
CPC D05B 1/00; D05B 1/02
USPC D15/66-76; 112/2, 63, 78, 154, 475.01,
112/256-261, 217.1-217.4
See application file for complete search history.

(56) **References Cited**

U.S. PATENT DOCUMENTS

D450,721 S * 11/2001 Kawaguchi D15/69
D462,368 S * 9/2002 Kuroki D15/69
D478,337 S * 8/2003 Kuroki D15/69
D482,702 S * 11/2003 Kawaguchi D15/69
D521,533 S * 5/2006 Sanchez D15/69

D553,650 S * 10/2007 Muto D15/69
D555,176 S * 11/2007 Ogawa D15/69
D632,706 S * 2/2011 Hattori D15/69
D648,757 S * 11/2011 Muto D15/69
2012/0210922 A1 8/2012 Sakuma et al.

FOREIGN PATENT DOCUMENTS

JP 2865470 B2 3/1999
JP 3355214 B2 9/2002
JP 4088504 B2 5/2008
JP 2008119361 A 5/2008
JP 2008237551 A 10/2008
JP 201162501 3/2011
JP 4741701 B2 5/2011

* cited by examiner

Primary Examiner — Mitchell Siegel

(74) *Attorney, Agent, or Firm* — Howard & Howard
Attorneys PLLC

(57) **CLAIM**

The ornamental design for a sewing machine, as shown and
described.

DESCRIPTION

FIG. 1 is a perspective view of a sewing machine according to
the present invention;

FIG. 2 is a front view of the sewing machine of FIG. 1;

FIG. 3 is a rear view of the sewing machine of FIG. 1;

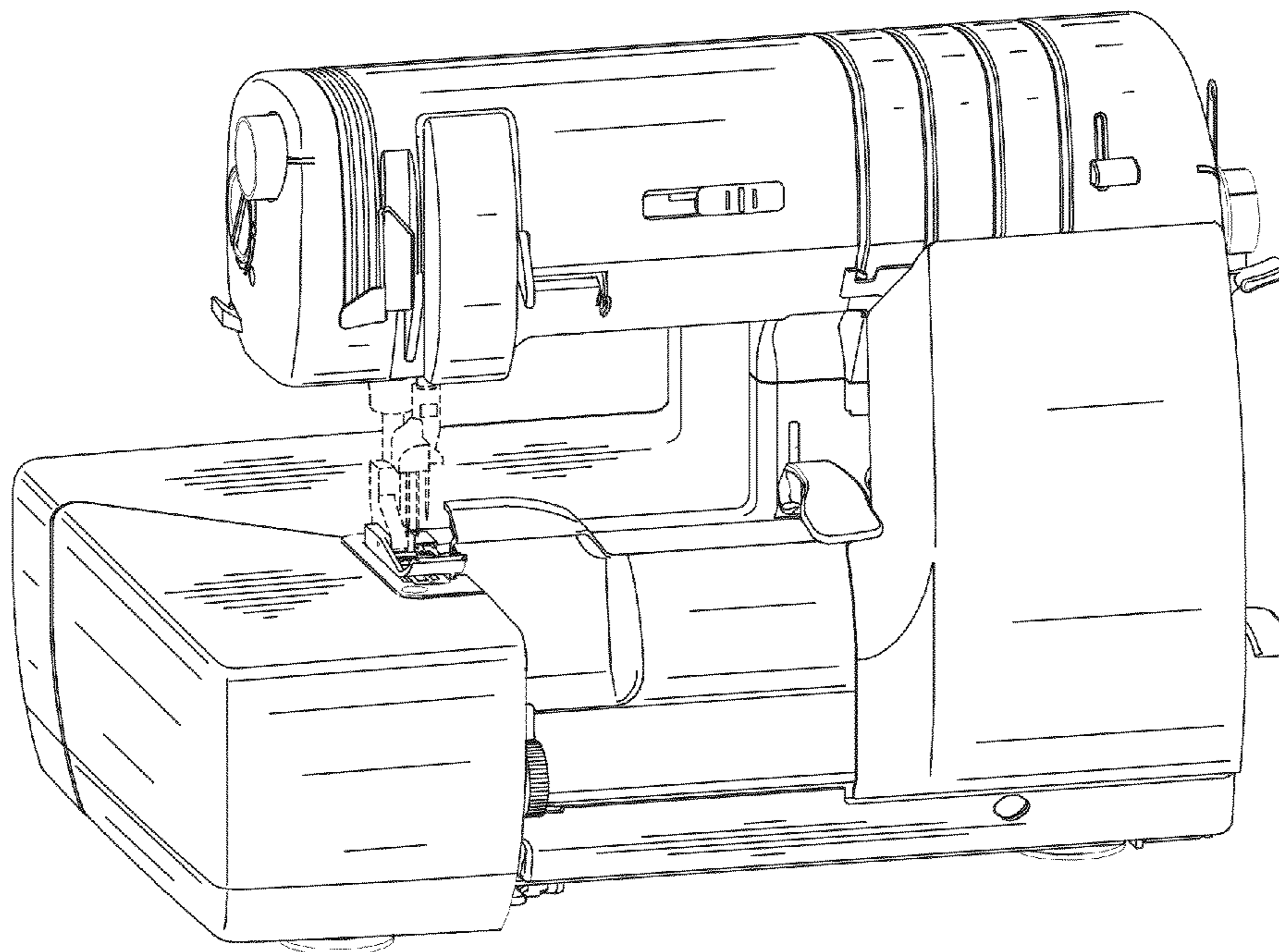
FIG. 4 is a top view of the sewing machine of FIG. 1;

FIG. 5 is a bottom view of the sewing machine of FIG. 1;

FIG. 6 is a left side view of the sewing machine of FIG. 1; and,

FIG. 7 is a right side view of the sewing machine of FIG. 1.

1 Claim, 7 Drawing Sheets



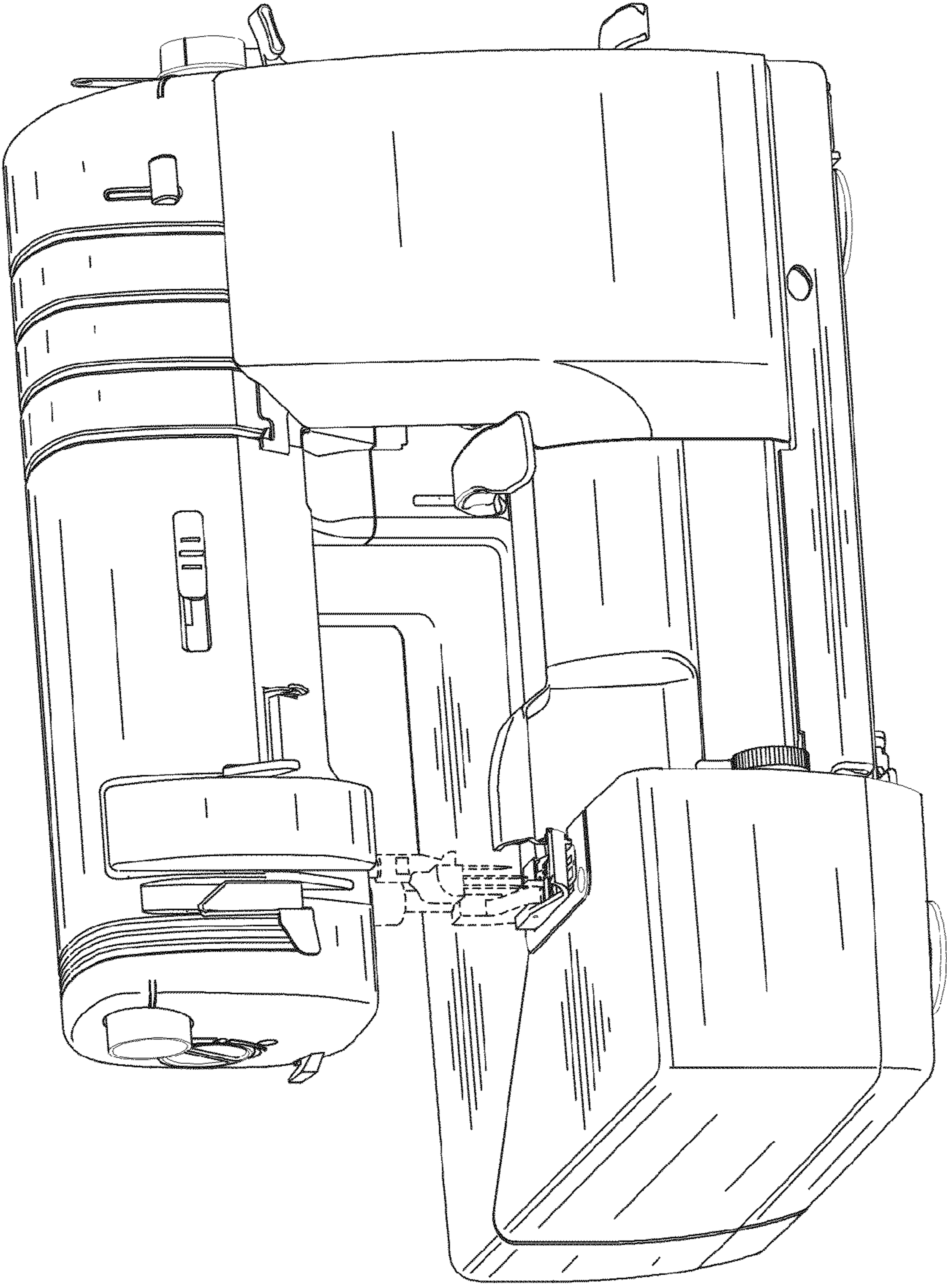


FIG 1

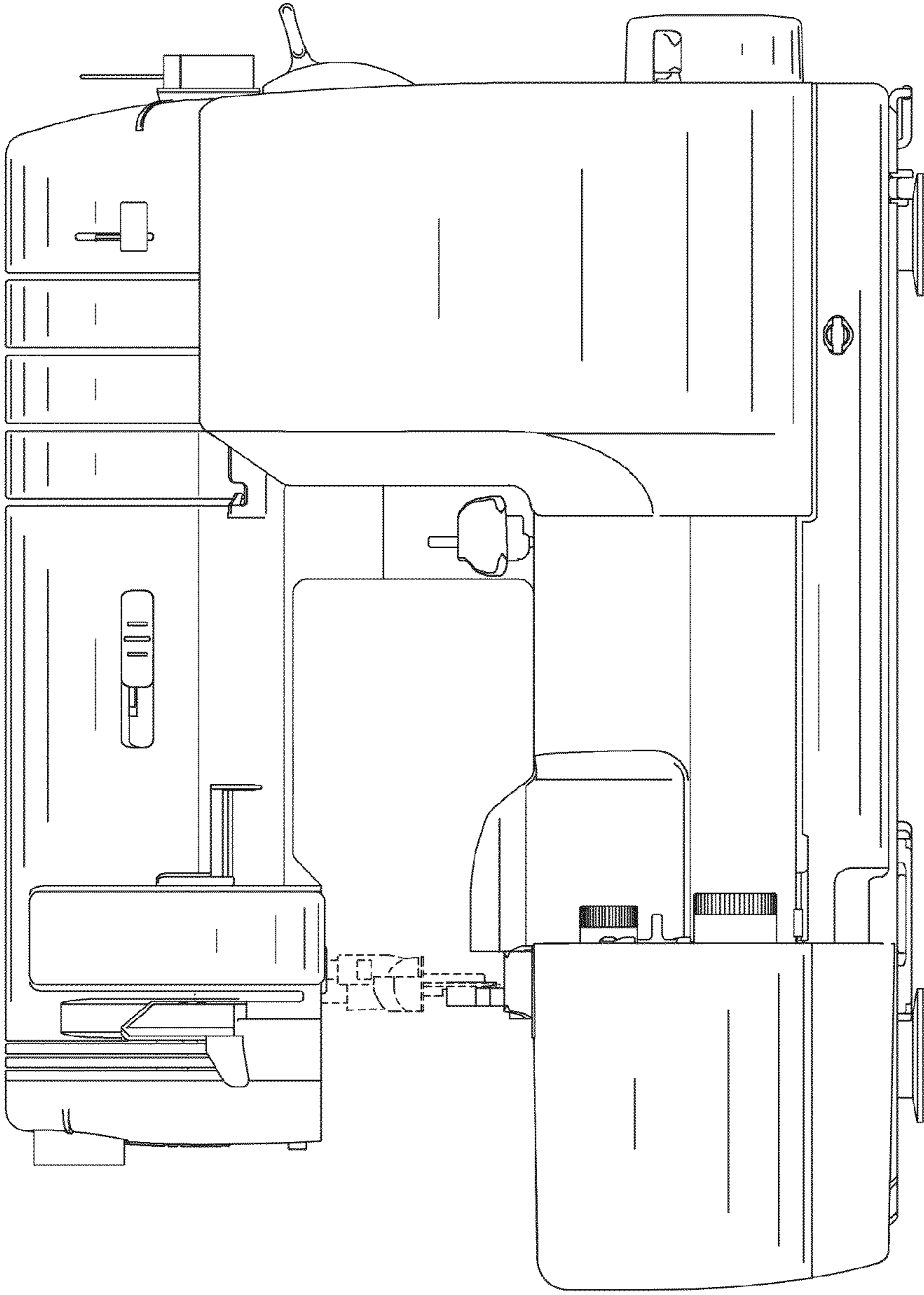


FIG 2

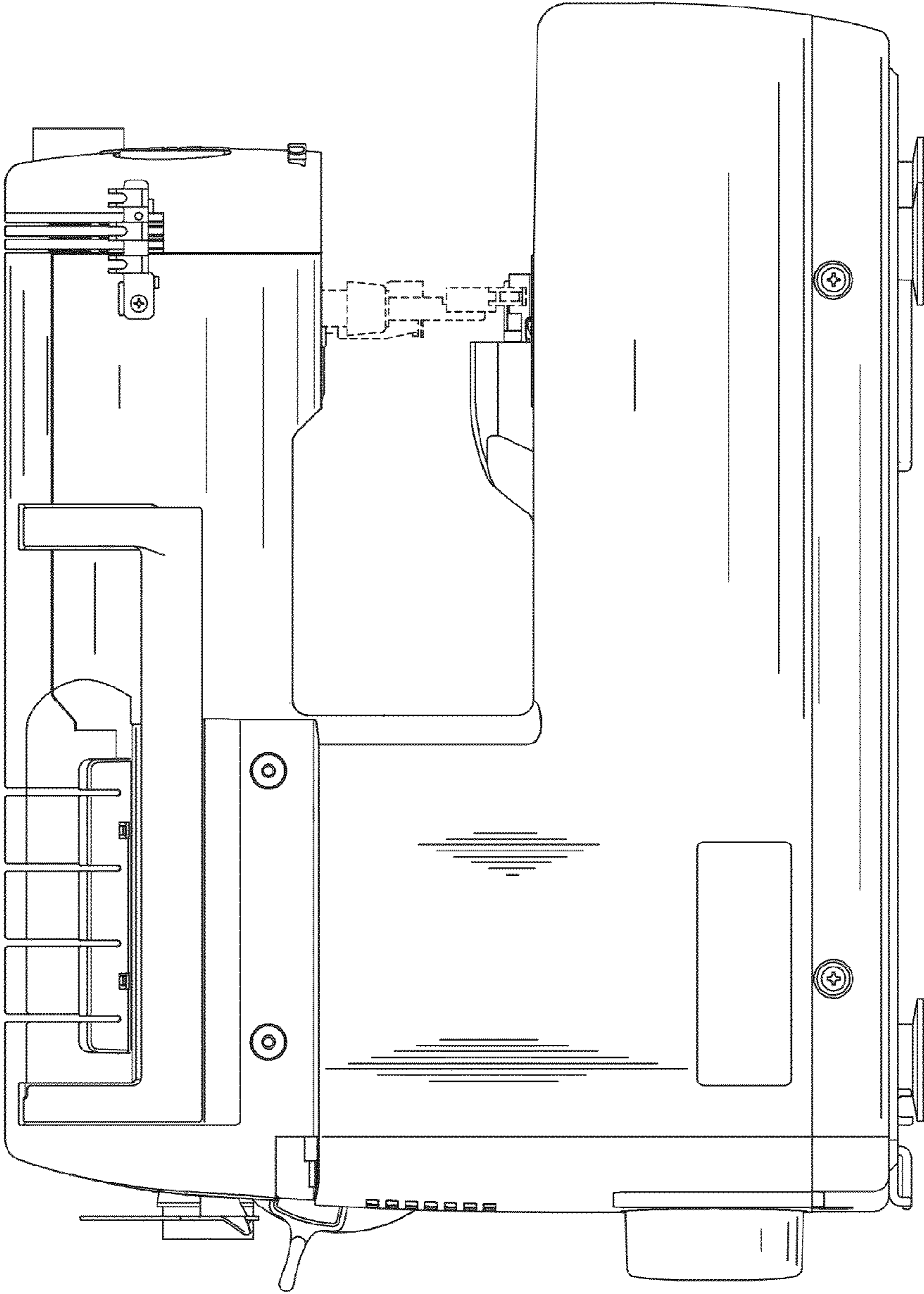


FIG 3

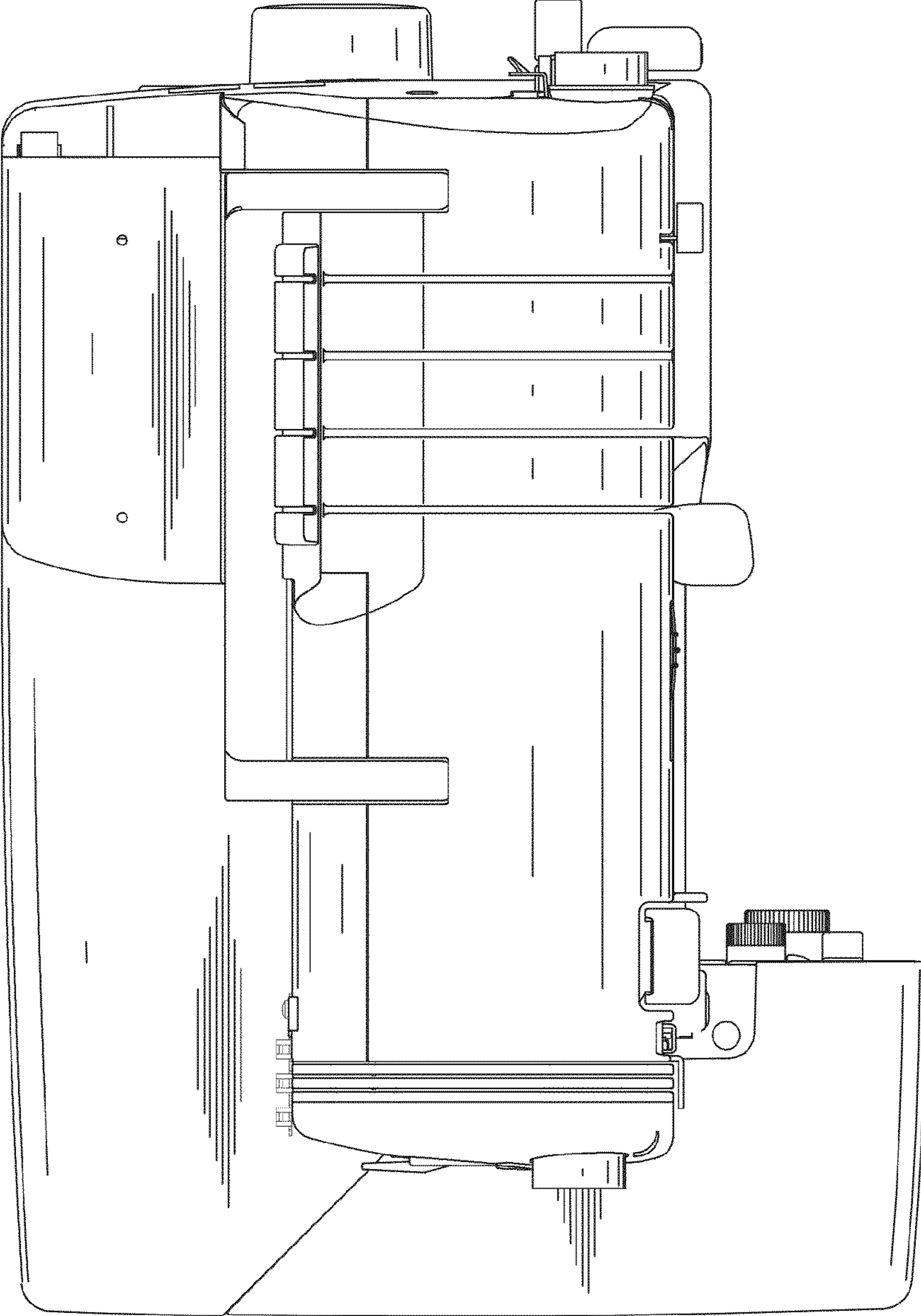


FIG 4

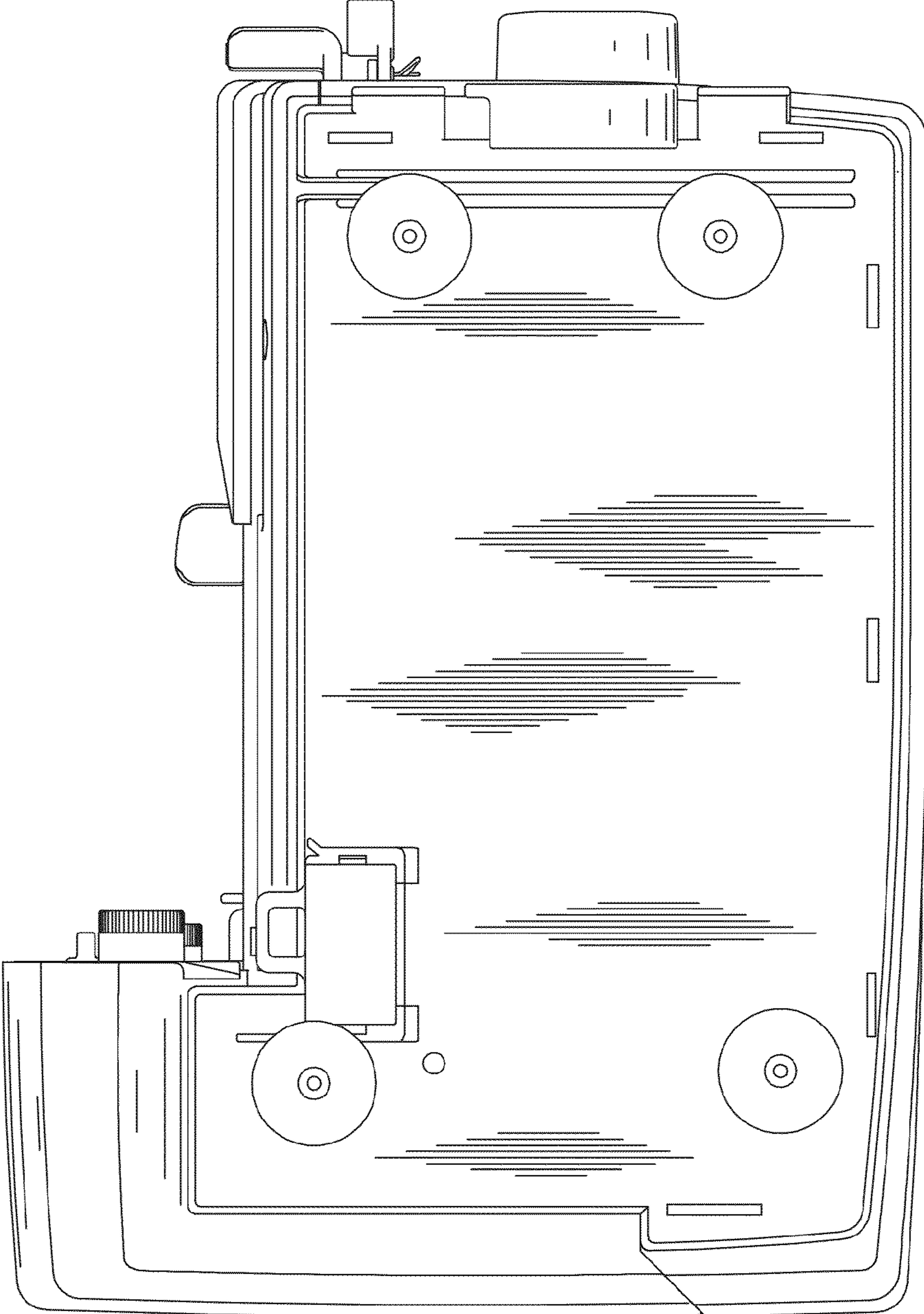


FIG 5

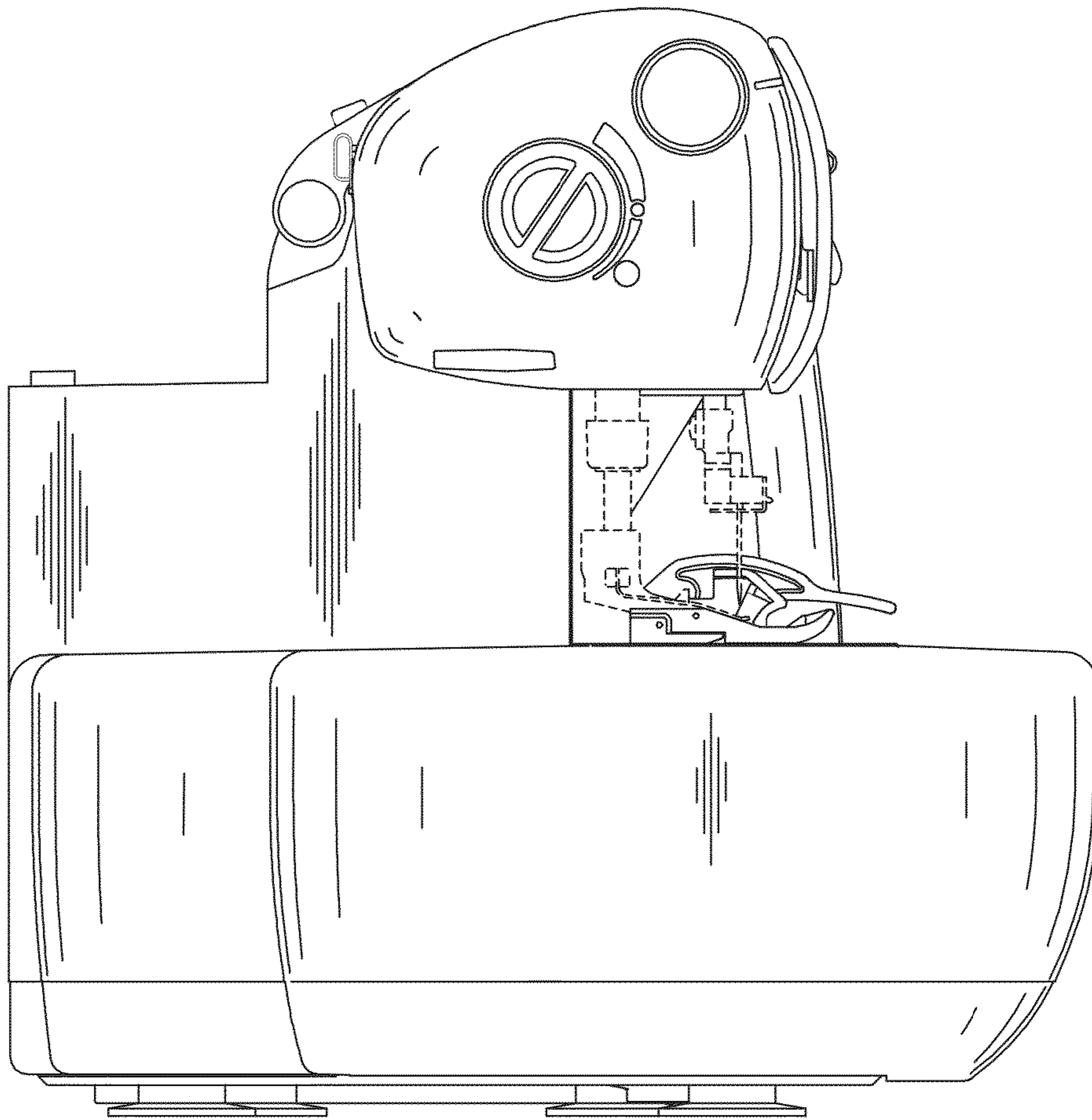


FIG 6

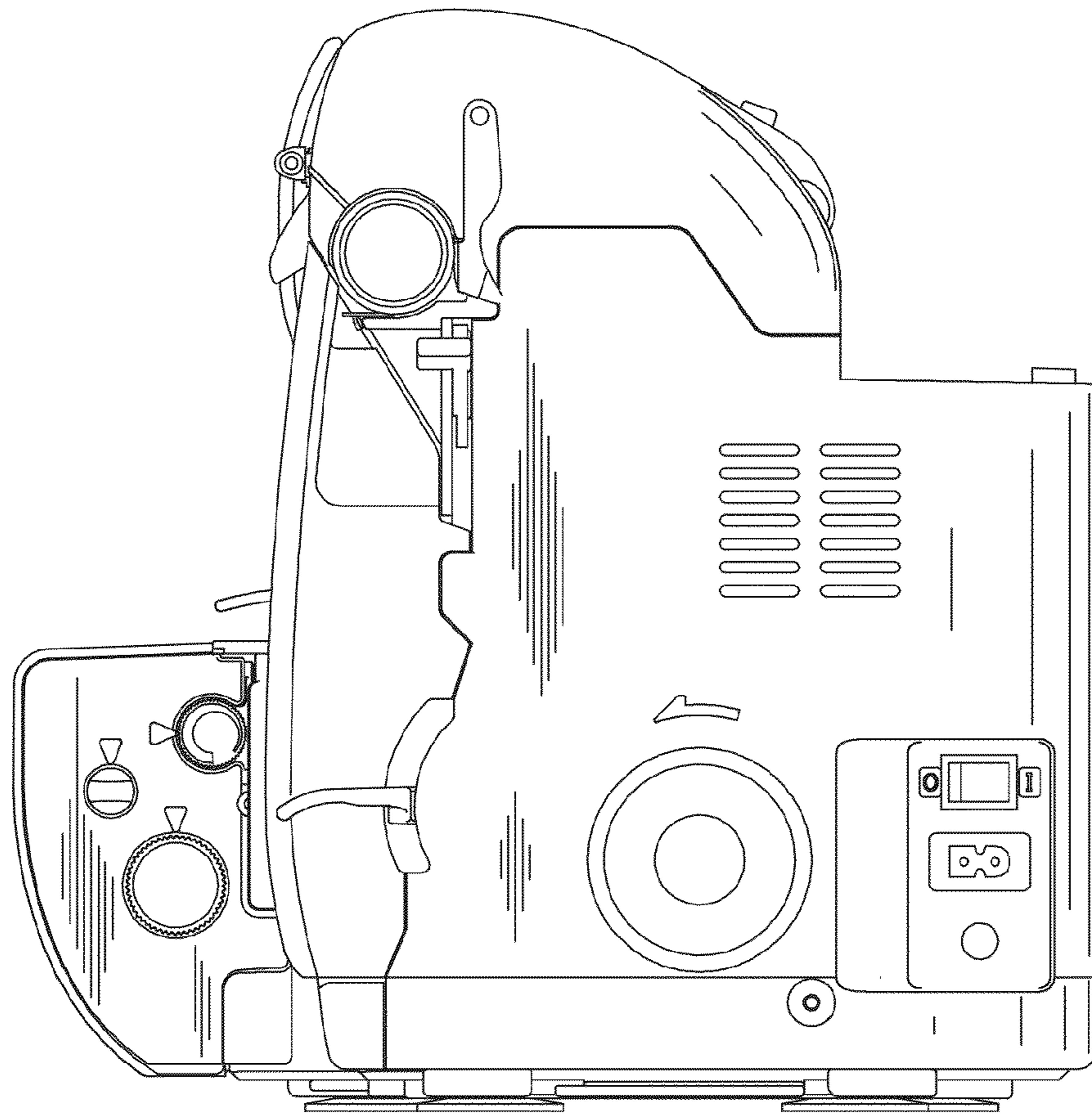


FIG 7