



US00D730409S

(12) **United States Design Patent**
Tvaruzek

(10) **Patent No.:** **US D730,409 S**

(45) **Date of Patent:** **** May 26, 2015**

(54) **LIQUID NATURAL GAS DISPENSER**

(71) Applicant: **Chart Industries, Inc.**, Ball Ground, GA (US)

(72) Inventor: **Martin Tvaruzek**, Ball Ground, GA (US)

(73) Assignee: **Flow Instruments & Engineering GmbH**, Solingen (DE)

(**) Term: **14 Years**

(21) Appl. No.: **29/488,577**

(22) Filed: **Apr. 21, 2014**

(51) **LOC (10) Cl.** **15-02**

(52) **U.S. Cl.**
USPC **D15/9.2**

(58) **Field of Classification Search**
CPC B67D 5/22; B67D 5/12; B67D 5/08;
B67D 5/06; G06F 7/08; G06Q 20/00; B67B
7/00
USPC D15/7-9; D23/231, 232, 225; 417/60,
417/235, 265, 321, 355, 358, 363, 359,
417/410.1, 415-416, 405, 900; 60/408,
60/412; 184/26-37; 415/140-147;
123/495, 509; 222/74, 71, 25, 27
See application file for complete search history.

(56) **References Cited**

U.S. PATENT DOCUMENTS

D86,632 S * 3/1932 Pflueger D15/9.1
D232,969 S * 9/1974 Breger D15/9.1

D237,823 S * 11/1975 Gray D15/9.2
D244,563 S * 5/1977 Taylor et al. D15/9.1
D271,696 S * 12/1983 Todd D15/9.2
4,576,312 A * 3/1986 Swick, Jr. 222/27
5,651,478 A * 7/1997 Tatsuno 222/25
D395,052 S * 6/1998 Krone et al. D15/9.1
D430,577 S * 9/2000 Taylor et al. D15/9.2
7,975,878 B2 * 7/2011 Wemmert 222/74

* cited by examiner

Primary Examiner — Ralf Seifert

(74) *Attorney, Agent, or Firm* — Fred C. Hernandez; Mintz Levin Cohn Ferris Glovsky and Popeo, P.C.

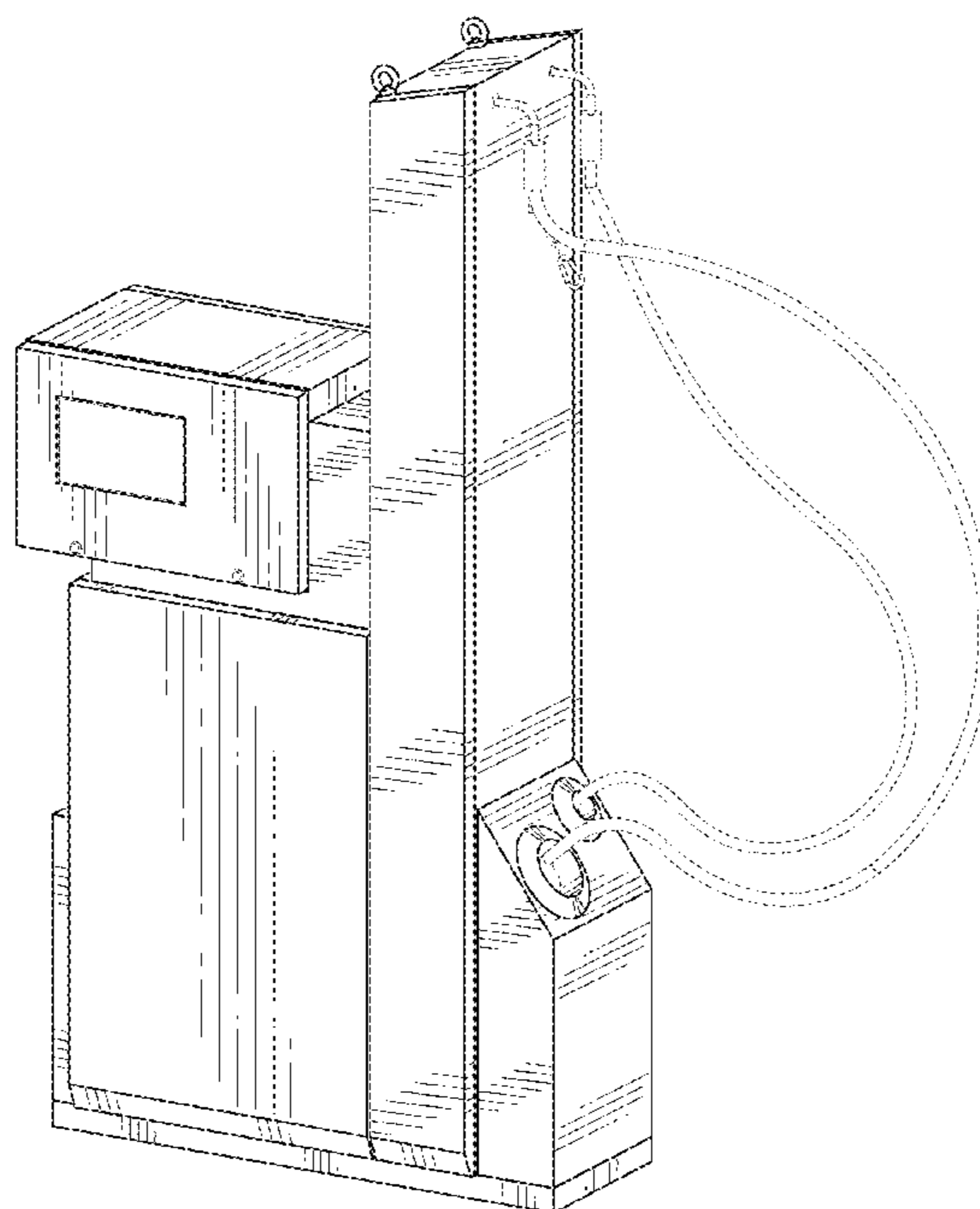
(57) **CLAIM**

The ornamental design for a liquid natural gas dispenser, as shown and described.

DESCRIPTION

FIG. 1 shows a front, perspective view of a liquid natural gas dispenser, showing my new design;
FIG. 2 shows a front, elevational view of the liquid natural gas dispenser shown in FIG. 1;
FIG. 3 shows a rear, elevational view of the liquid natural gas dispenser shown in FIG. 1;
FIG. 4 shows a left, side plan view of the liquid natural gas dispenser shown in FIG. 1;
FIG. 5 shows a right, side plan view of the liquid natural gas dispenser shown in FIG. 1;
FIG. 6 shows a top, plan view of the liquid natural gas dispenser shown in FIG. 1; and,
FIG. 7 shows a bottom, plan view of the liquid natural gas dispenser shown in FIG. 1.
Any broken line illustration in the drawings is not part of the design sought to be patented.

1 Claim, 7 Drawing Sheets



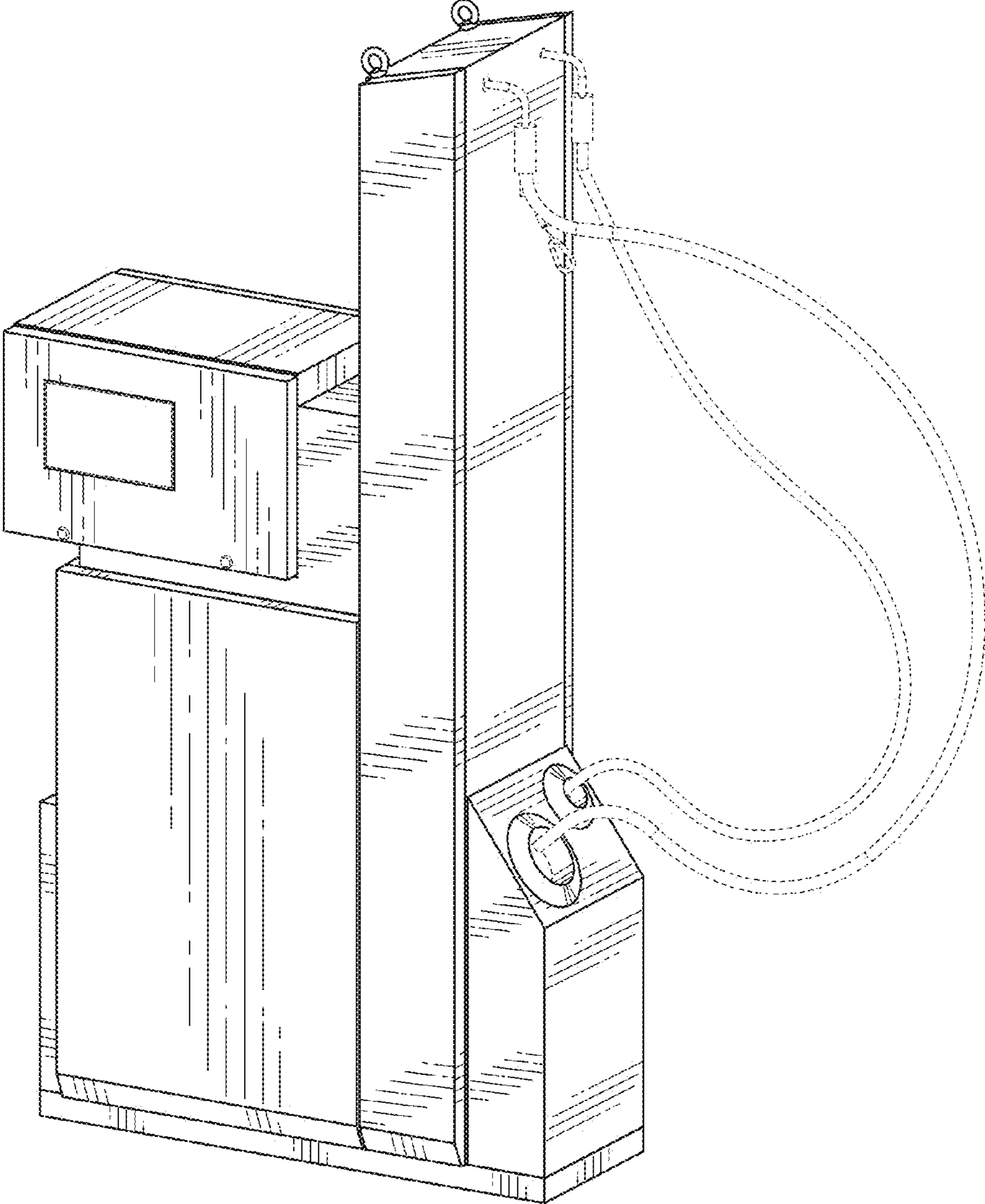


FIG. 1

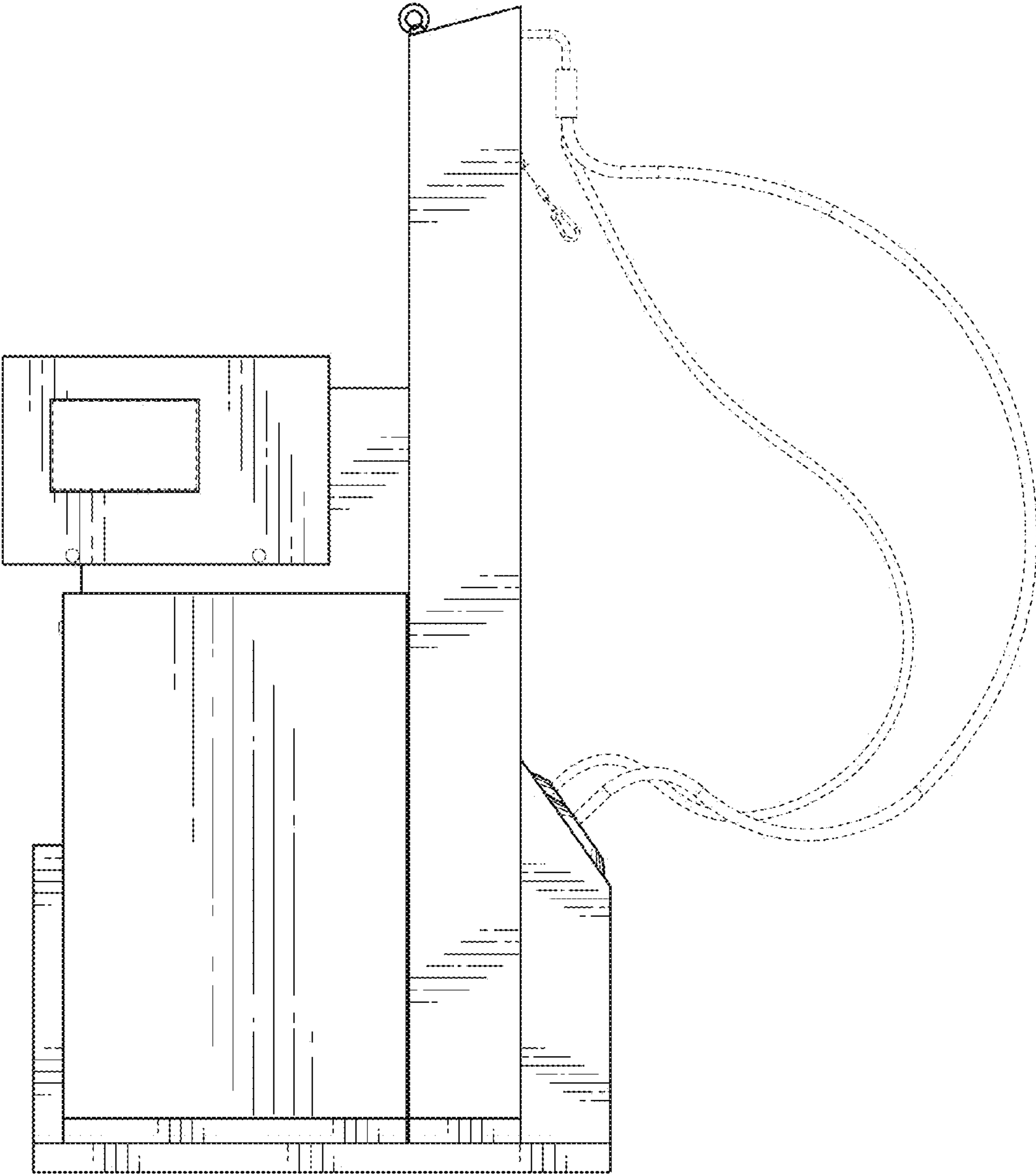


FIG. 2

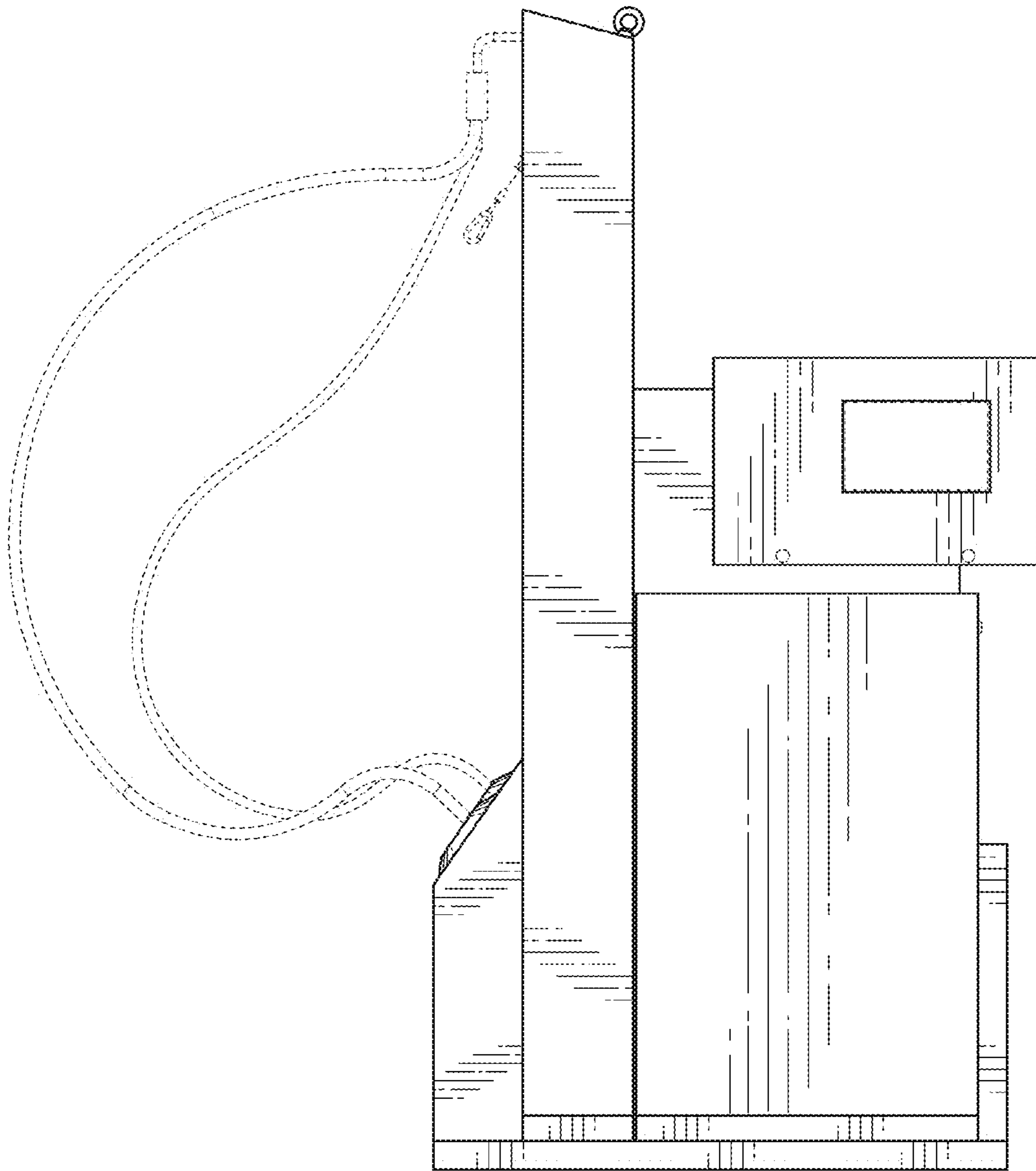


FIG. 3

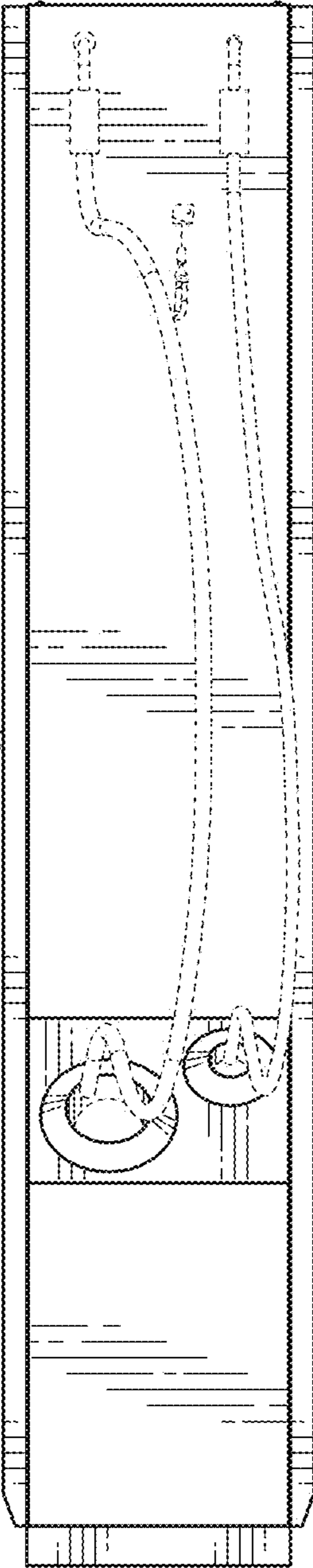


FIG. 4

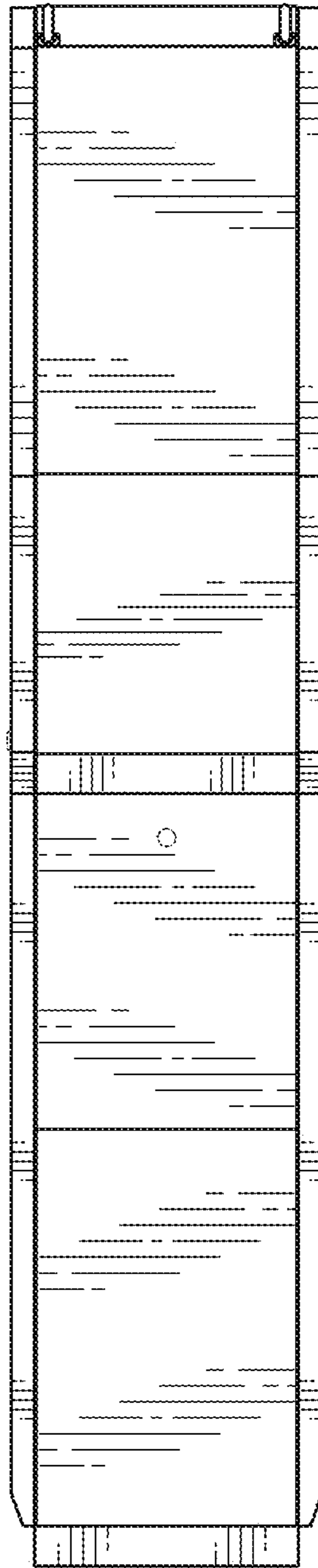


FIG. 5

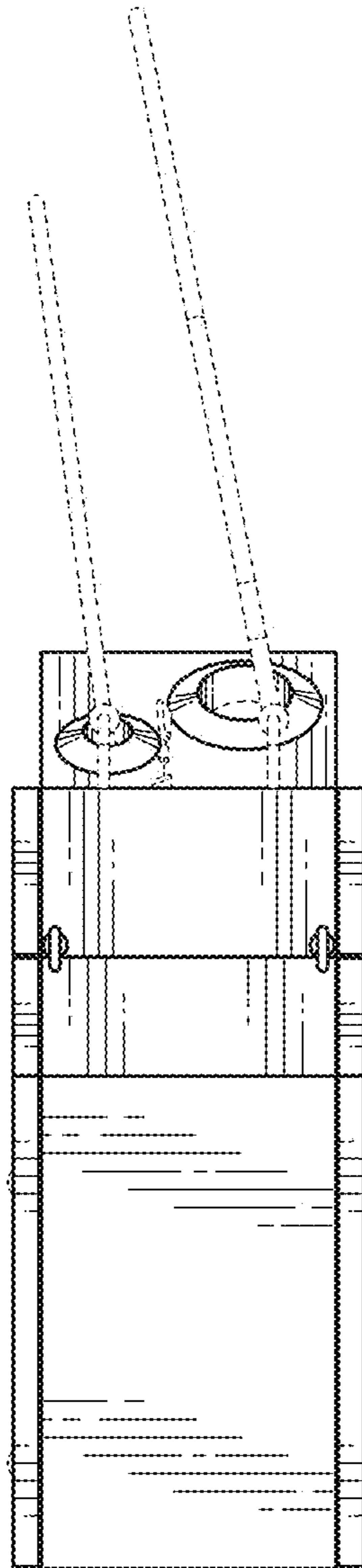


FIG. 6

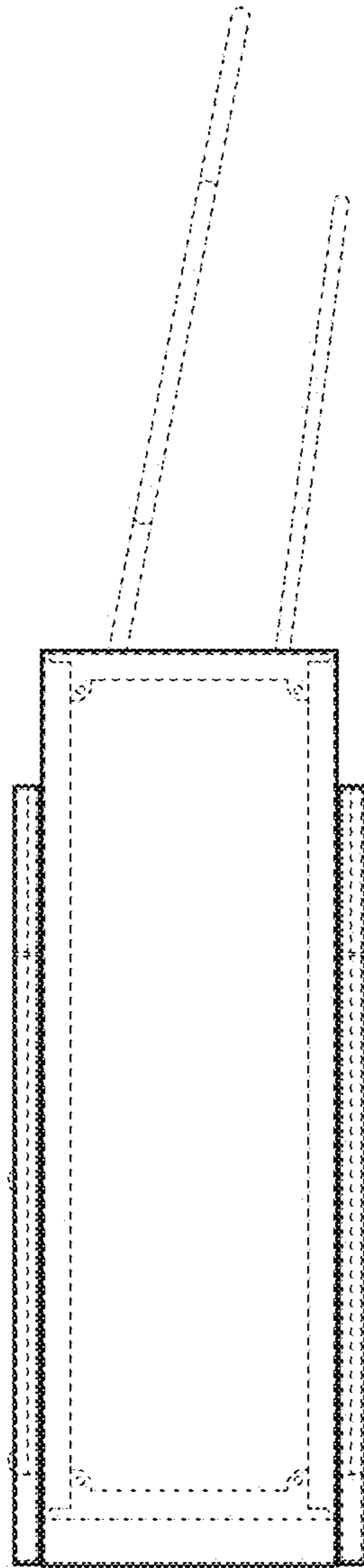


FIG. 7