



US00D730408S

(12) **United States Design Patent**
Brokenshire et al.

(10) **Patent No.:** **US D730,408 S**
(45) **Date of Patent:** **** May 26, 2015**

(54) **COMBINED PUMP UNIT AND PUMP
CARTRIDGE ASSEMBLY**

(71) Applicant: **Watson-Marlow Limited**, Falmouth,
Cornwall (GB)

(72) Inventors: **Steven Brokenshire**, St Ives (GB);
David Crowsley, Falmouth (GB); **Oliver
Warren**, Truro (GB)

(73) Assignee: **Watson-Marlow Limited**, Falmouth,
Cornwall (GB)

D290,127	S	6/1987	Goldman et al.
D303,533	S	9/1989	Eberhardt et al.
4,886,431	A *	12/1989	Soderquist et al. 417/477.2
5,147,313	A *	9/1992	Dikeman 604/153
D403,329	S *	12/1998	Walker et al. D15/7
5,846,061	A *	12/1998	Ledebuhr et al. 417/477.9
D498,480	S *	11/2004	Tsai D15/7
D499,425	S	12/2004	Pirzada
7,001,153	B2 *	2/2006	McDowell et al. 417/63
D518,490	S	4/2006	Pirzada
D558,231	S *	12/2007	Vivar et al. D15/7
D635,588	S	4/2011	Sprules
8,585,379	B2 *	11/2013	Ramirez et al. 417/477.1
D710,901	S *	8/2014	Brokenshire et al. D15/7

(**) Term: **14 Years**

FOREIGN PATENT DOCUMENTS

(21) Appl. No.: **29/495,653**

EP 000681333-0001 3/2007

(22) Filed: **Jul. 2, 2014**

* cited by examiner

Related U.S. Application Data

(62) Division of application No. 29/426,669, filed on Aug.
2, 2012, now Pat. No. Des. 710,901.

(51) **LOC (10) Cl.** **15-02**

(52) **U.S. Cl.**
USPC **D15/7**

(58) **Field of Classification Search**

CPC F04B 43/12
USPC D15/7-9; D23/231, 232, 225; 417/60,
417/235, 265, 321, 355, 358, 363, 359,
417/410.1, 415-416, 405, 900, 476, 477.1;
60/408, 412; 415/140-147

See application file for complete search history.

(56) **References Cited**

U.S. PATENT DOCUMENTS

2,958,294	A *	11/1960	Johnson 418/45
D236,163	S	7/1975	Manno
4,496,295	A *	1/1985	King 417/477.12
D277,602	S	2/1985	Benson et al.
D289,523	S	4/1987	Fussell

Primary Examiner — Ralf Seifert

(74) *Attorney, Agent, or Firm* — MacMillan, Sobanski &
Todd, LLC

(57) **CLAIM**

The ornamental design for a combined pump unit and pump
cartridge assembly, as shown.

DESCRIPTION

FIG. 1 is a perspective view of a combined pump unit and
pump cartridge assembly embodying our design.

FIG. 2 is a front side elevational view thereof.

FIG. 3 is a rear side elevational view thereof.

FIG. 4 is a left side elevational view thereof.

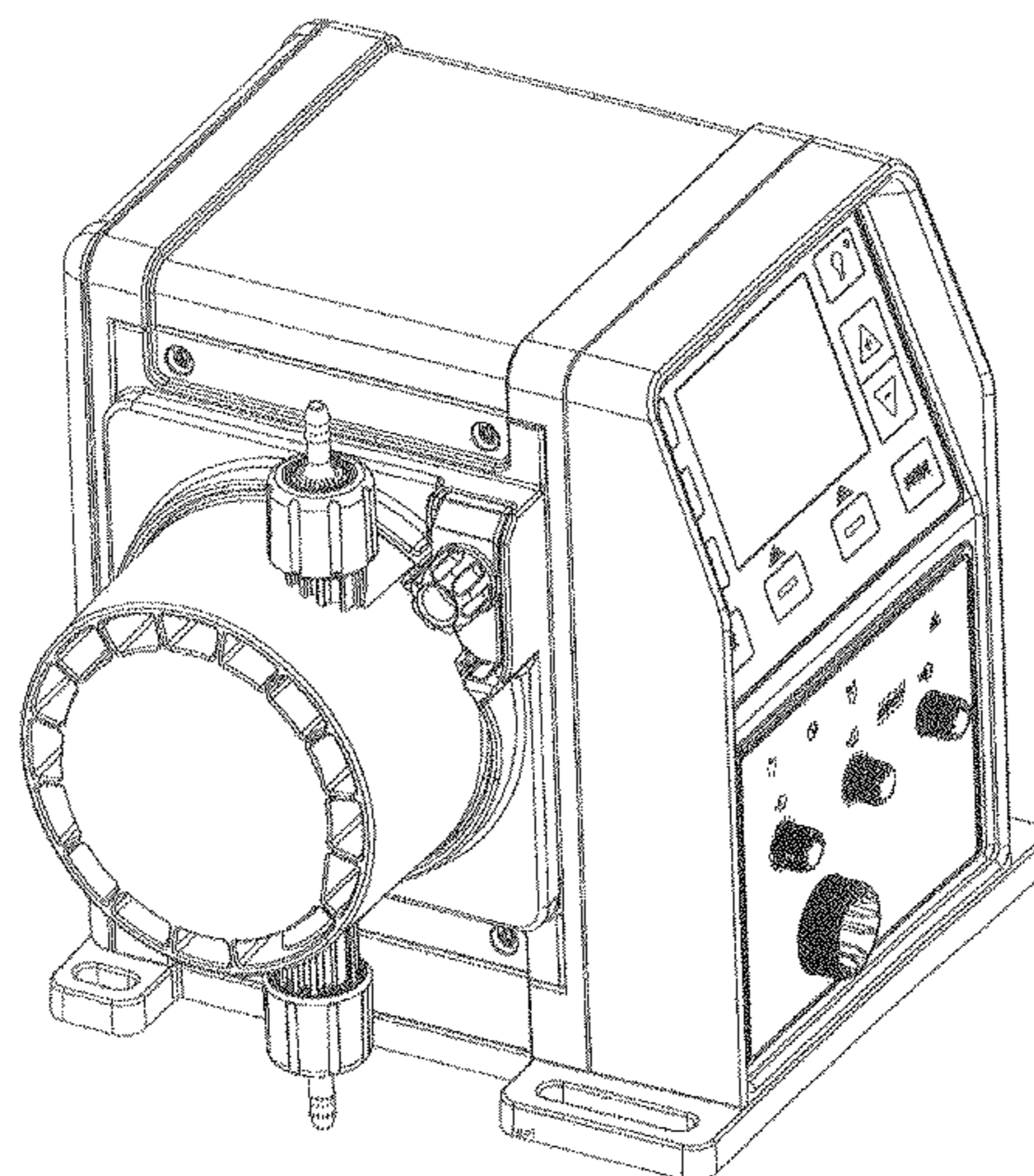
FIG. 5 is a right side elevational view thereof.

FIG. 6 is a top plan view thereof; and,

FIG. 7 is a bottom plan view thereof.

The broken lines throughout the drawings are included for the
purpose of illustrating portions of the combined pump unit
and pump cartridge assembly that form no part of the claimed
design.

1 Claim, 7 Drawing Sheets



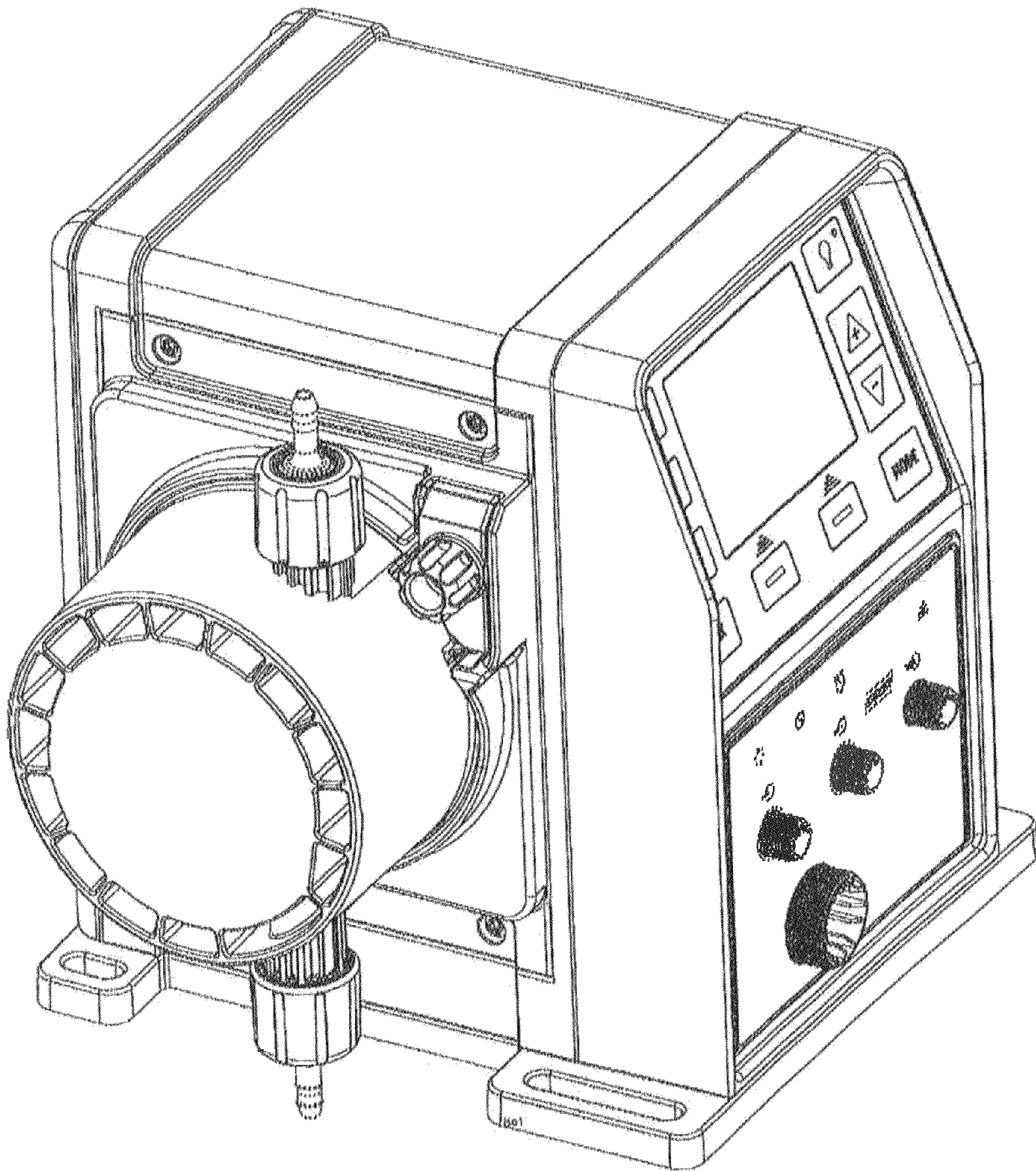


FIG. 1

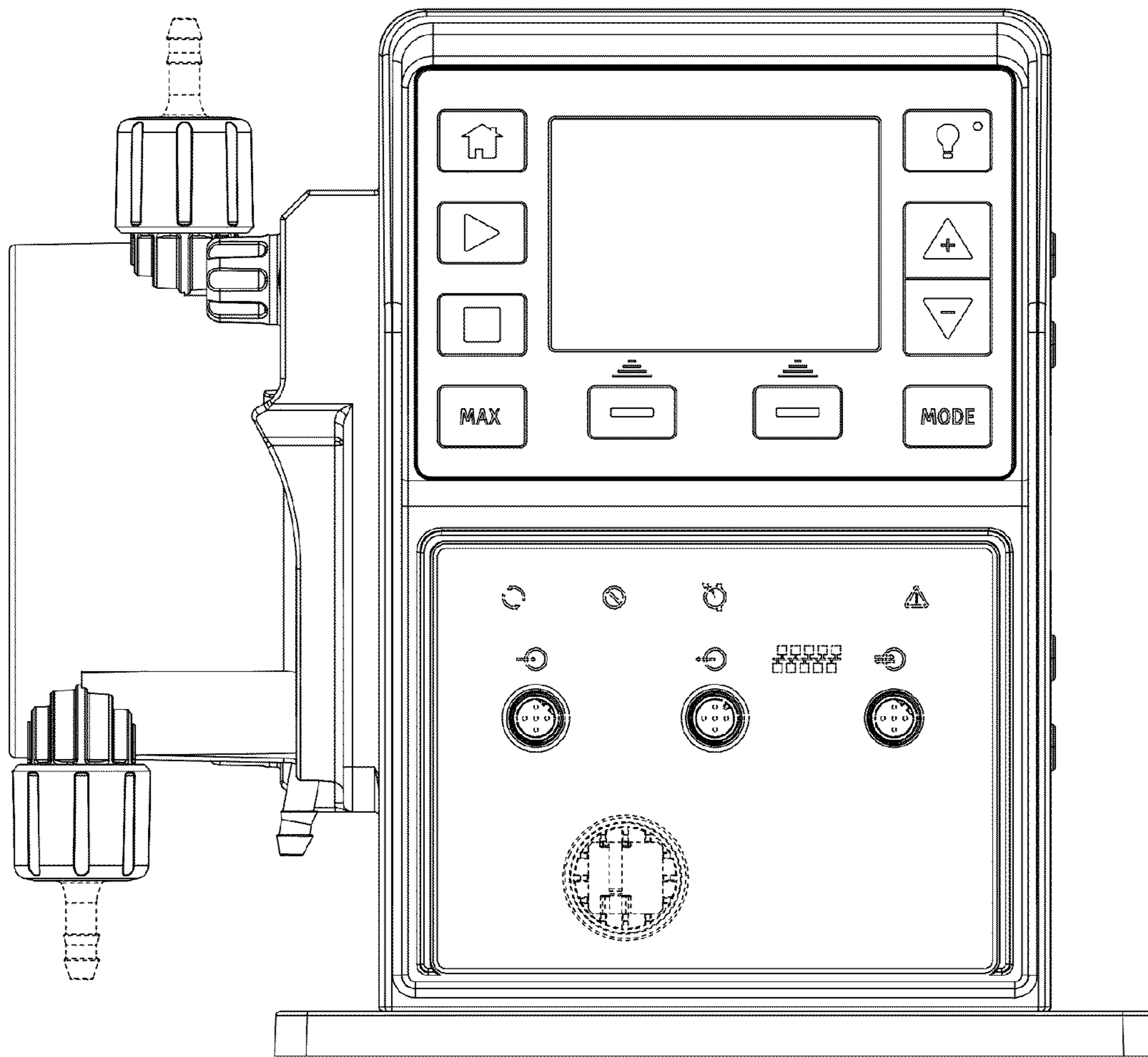


FIG. 2

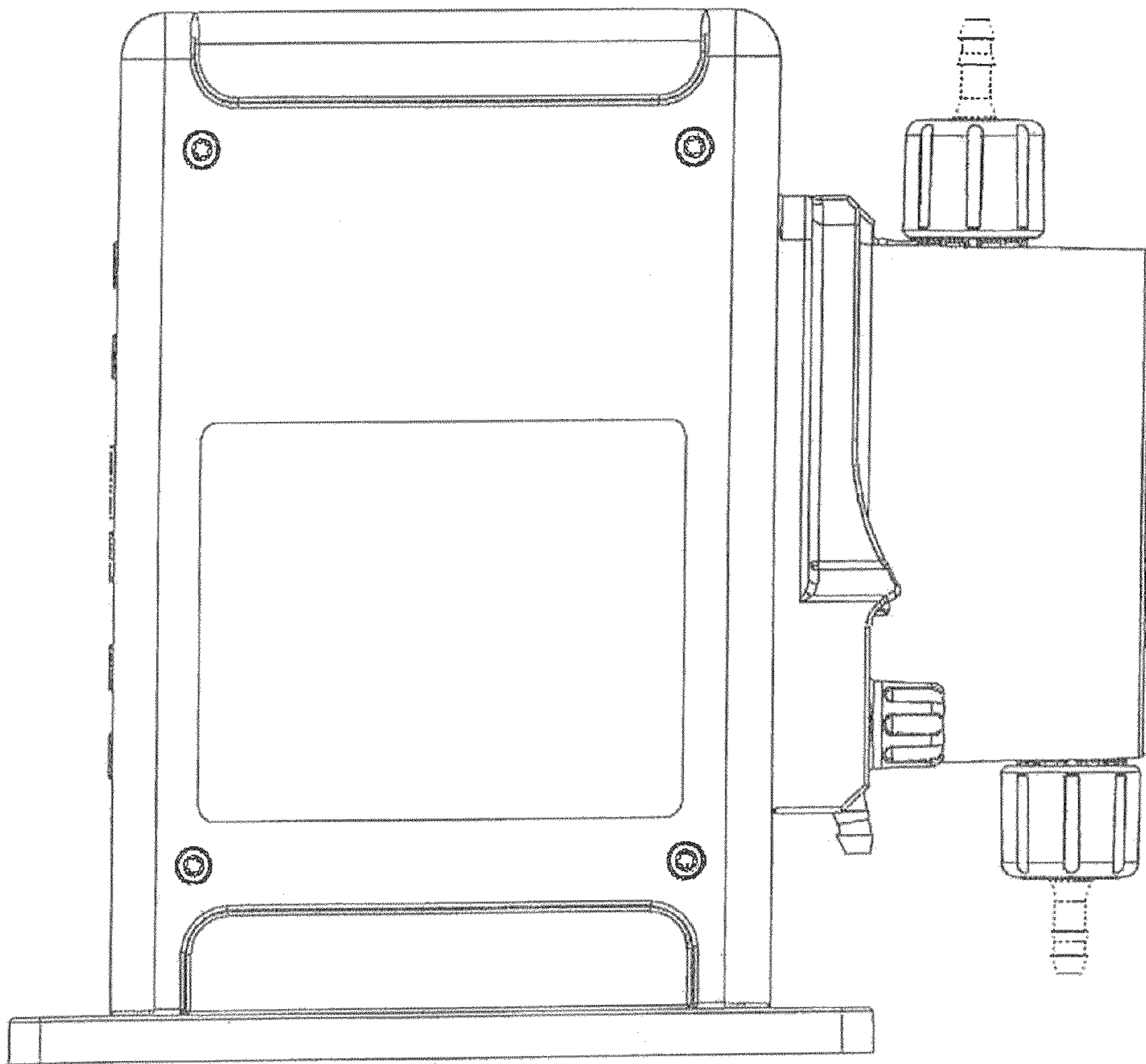


FIG. 3

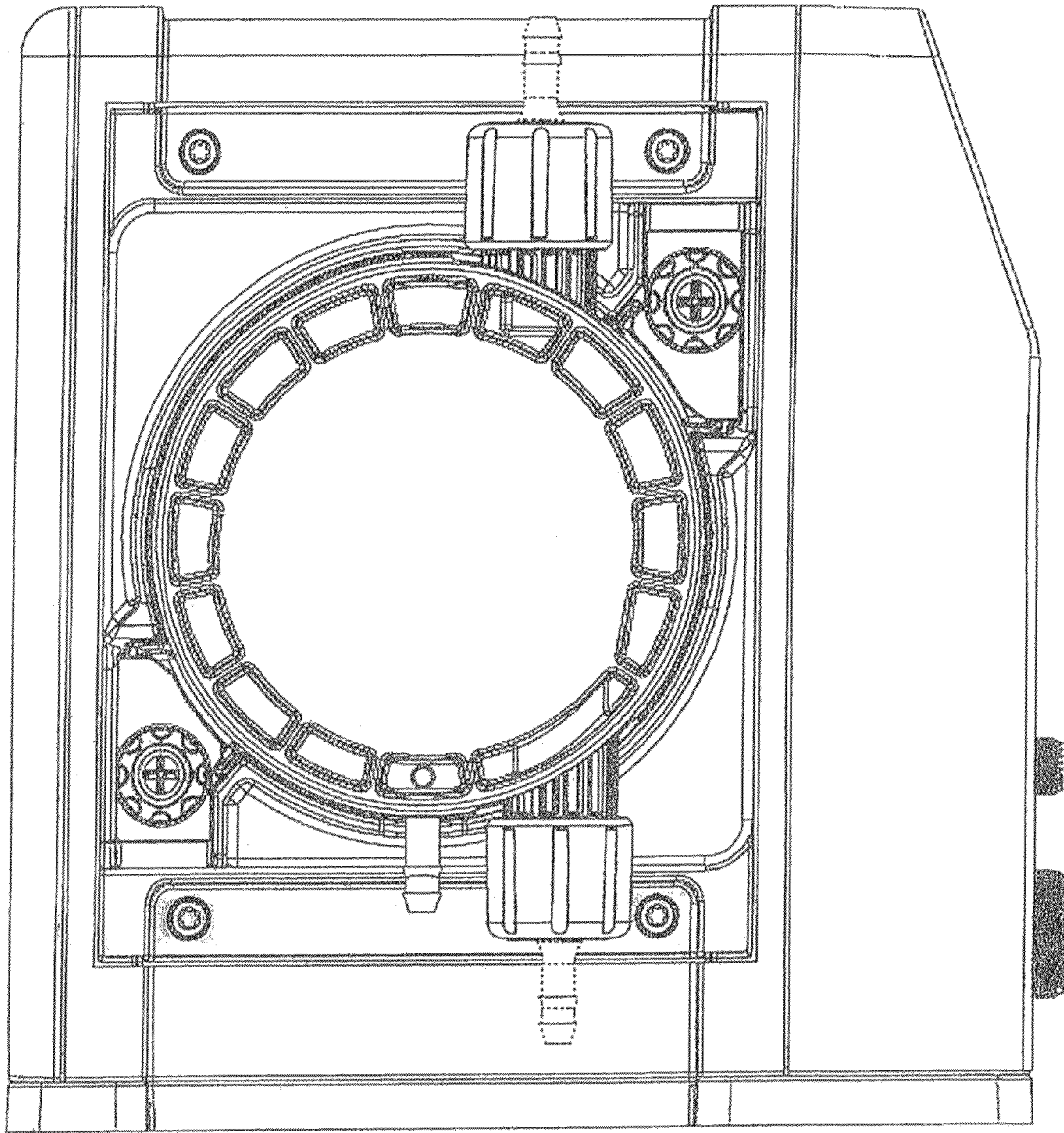


FIG. 4

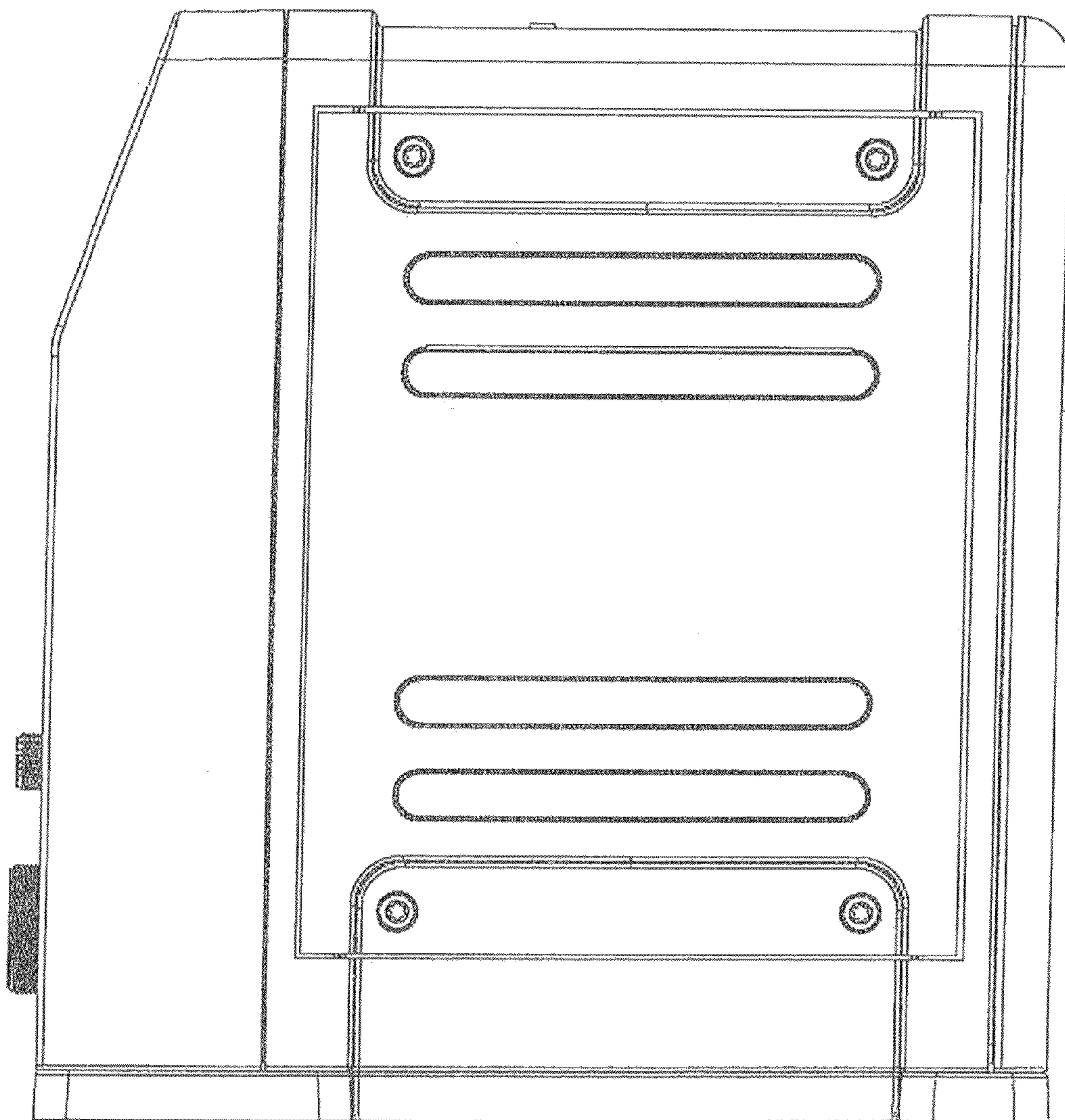


FIG. 5

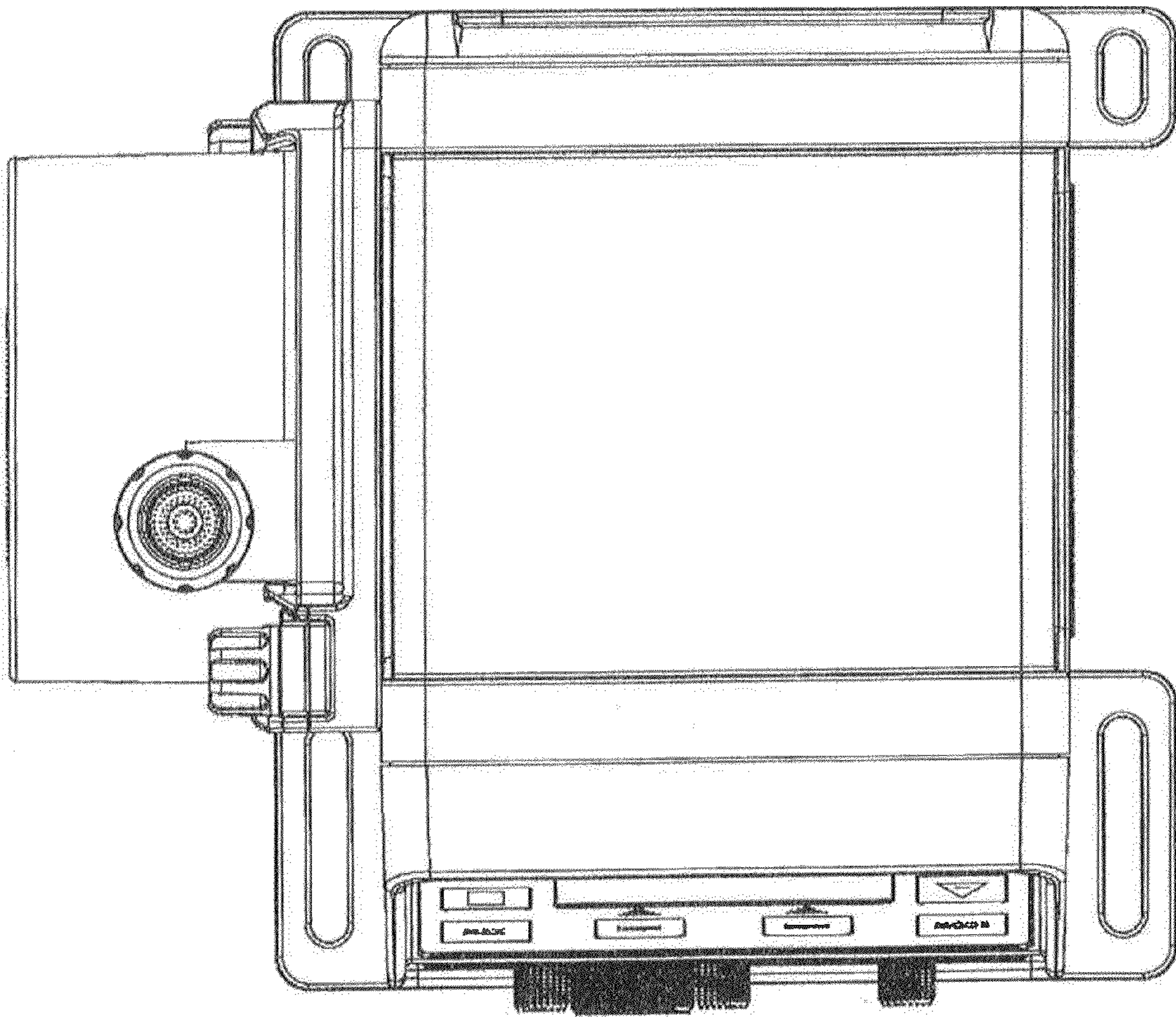


FIG. 6

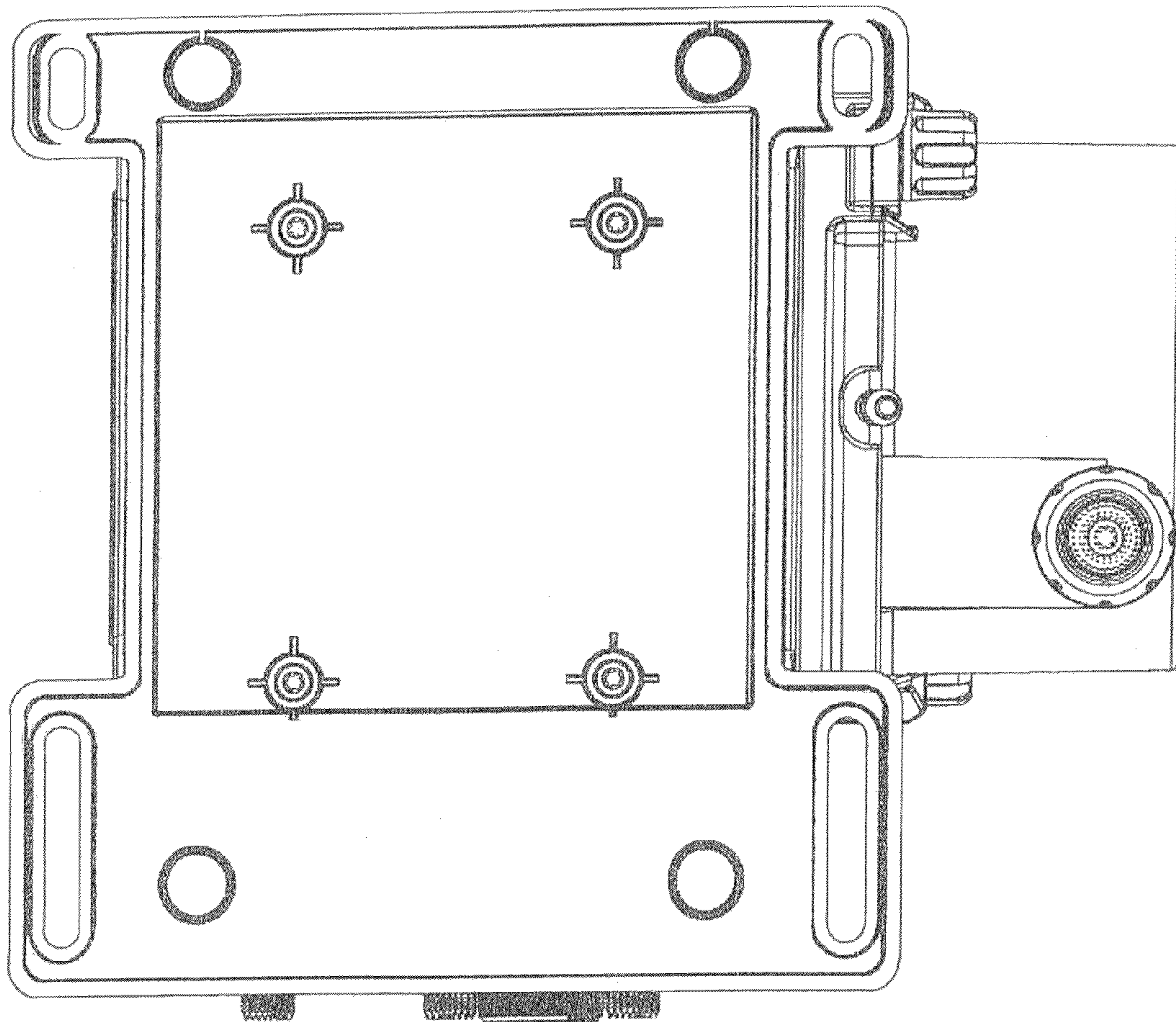


FIG. 7

UNITED STATES PATENT AND TRADEMARK OFFICE
CERTIFICATE OF CORRECTION

PATENT NO. : D730,408 S
APPLICATION NO. : 29/495653
DATED : May 26, 2015
INVENTOR(S) : Steven Brokenshire, David Crowsley and Oliver Warren

Page 1 of 1

It is certified that error appears in the above-identified patent and that said Letters Patent is hereby corrected as shown below:

On the Title Page item (62),

Please correct the Related U.S. Application Data:

“29/426,669” to --29/428,669--.

Signed and Sealed this
Fifteenth Day of November, 2016



Michelle K. Lee
Director of the United States Patent and Trademark Office