



US00D730382S

(12) **United States Design Patent**  
**Brinda et al.**

(10) **Patent No.:** **US D730,382 S**  
(45) **Date of Patent:** **\*\* May 26, 2015**

(54) **DISPLAY SCREEN WITH AN ANIMATED GRAPHICAL USER INTERFACE**

(75) Inventors: **David Brinda**, Bellevue, WA (US);  
**Sheng-Hsin Huang**, Taoyuan County (TW); **Jye Rong**, Taoyuan County (TW);  
**Wei-Chia Yen**, Taoyuan County (TW); **Yi-Min Chien**, Taoyuan County (TW);  
**Cheng-Chieh Chang**, Taoyuan County (TW)

(73) Assignee: **HTC Corporation**, Taoyuan (TW)

(\*\*) Term: **14 Years**

(21) Appl. No.: **29/405,060**

(22) Filed: **Oct. 28, 2011**

(51) **LOC (10) Cl.** ..... **14-04**

(52) **U.S. Cl.**  
USPC ..... **D14/488**

(58) **Field of Classification Search**  
CPC ..... G06F 3/048-3/04897  
USPC ..... D14/485-95; D18/24-33; D19/6, 52;  
D20/11; D21/324-33; 715/700-867,  
715/973-77

See application file for complete search history.

(56) **References Cited**

U.S. PATENT DOCUMENTS

D341,848 S *	11/1993	Bigelow et al.	.....	D18/27
5,499,334 A *	3/1996	Staab	.....	715/778
D385,870 S *	11/1997	Thomas	.....	D14/491
5,690,340 A *	11/1997	Musleh	.....	273/459
D395,297 S *	6/1998	Cheng et al.	.....	D14/488
D398,299 S *	9/1998	Ballay et al.	.....	D14/488
7,051,291 B2 *	5/2006	Sciammarella et al.	.....	715/838
7,178,111 B2 *	2/2007	Glein et al.	.....	715/848
D554,144 S *	10/2007	Hally et al.	.....	D14/487

D555,662 S *	11/2007	Nagata et al.	.....	D14/487
D555,663 S *	11/2007	Nagata et al.	.....	D14/488
D568,892 S *	5/2008	Stabb et al.	.....	D14/485
D598,928 S *	8/2009	Hirsch et al.	.....	D14/485
7,657,846 B2 *	2/2010	Banks et al.	.....	715/836
D611,053 S *	3/2010	Kanga et al.	.....	D14/485
D611,486 S *	3/2010	Hirsch et al.	.....	D14/485
D612,391 S *	3/2010	Fletcher et al.	.....	D14/486
D613,300 S *	4/2010	Chaudhri	.....	D14/488
D614,664 S *	4/2010	Barcheck et al.	.....	D14/493
D616,450 S *	5/2010	Simons et al.	.....	D14/486
D623,057 S *	9/2010	Kletz	.....	D9/434
D624,927 S *	10/2010	Allen et al.	.....	D14/486
D628,210 S *	11/2010	Luke et al.	.....	D14/486
D633,920 S *	3/2011	Luke et al.	.....	D14/488
D636,785 S *	4/2011	Brinda	.....	D14/488

(Continued)

*Primary Examiner* — Melanie H Tung

(74) *Attorney, Agent, or Firm* — Jianq Chyun IP Office

(57) **CLAIM**

The ornamental design for a display screen with an animated graphical user interface, as shown and described.

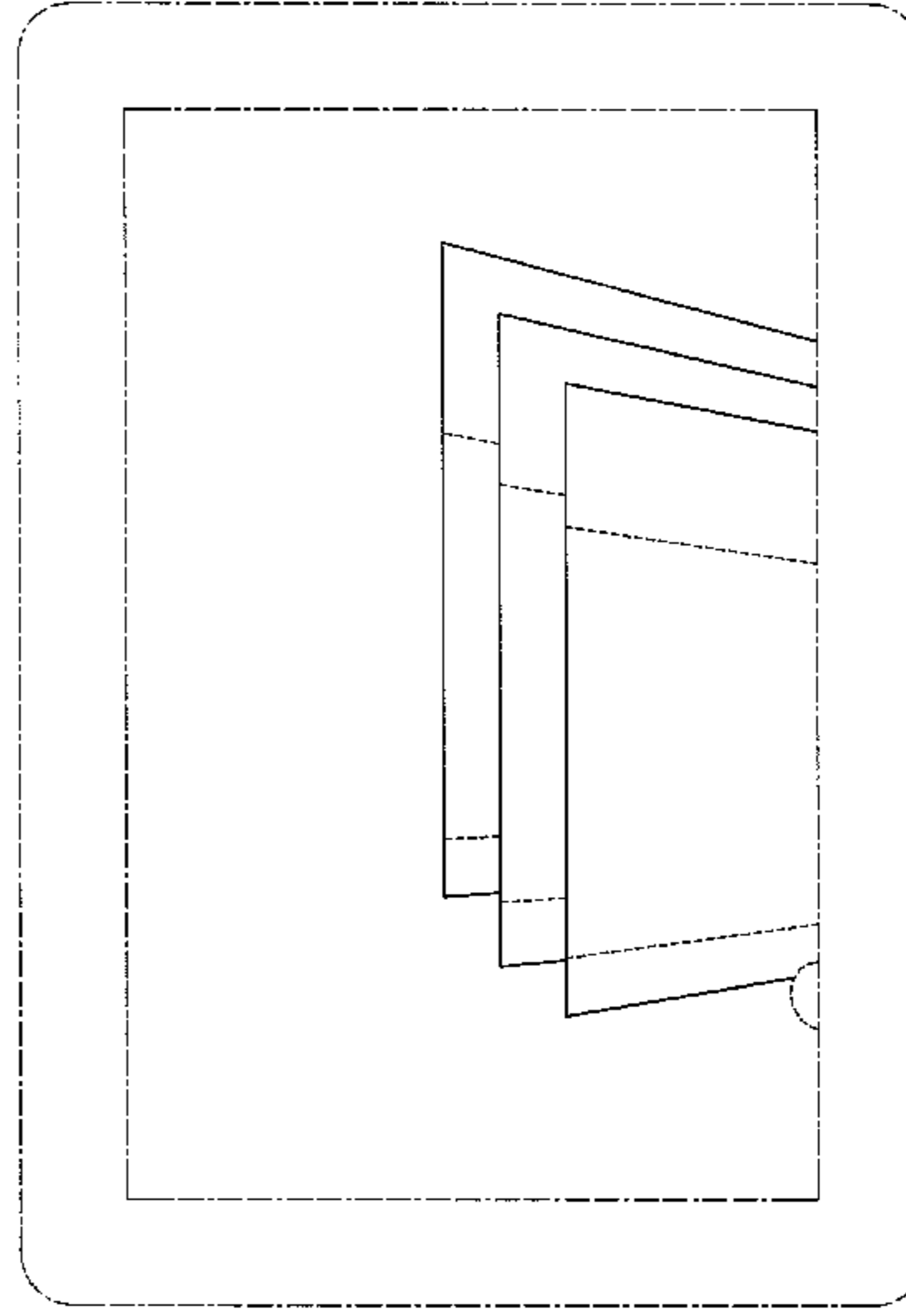
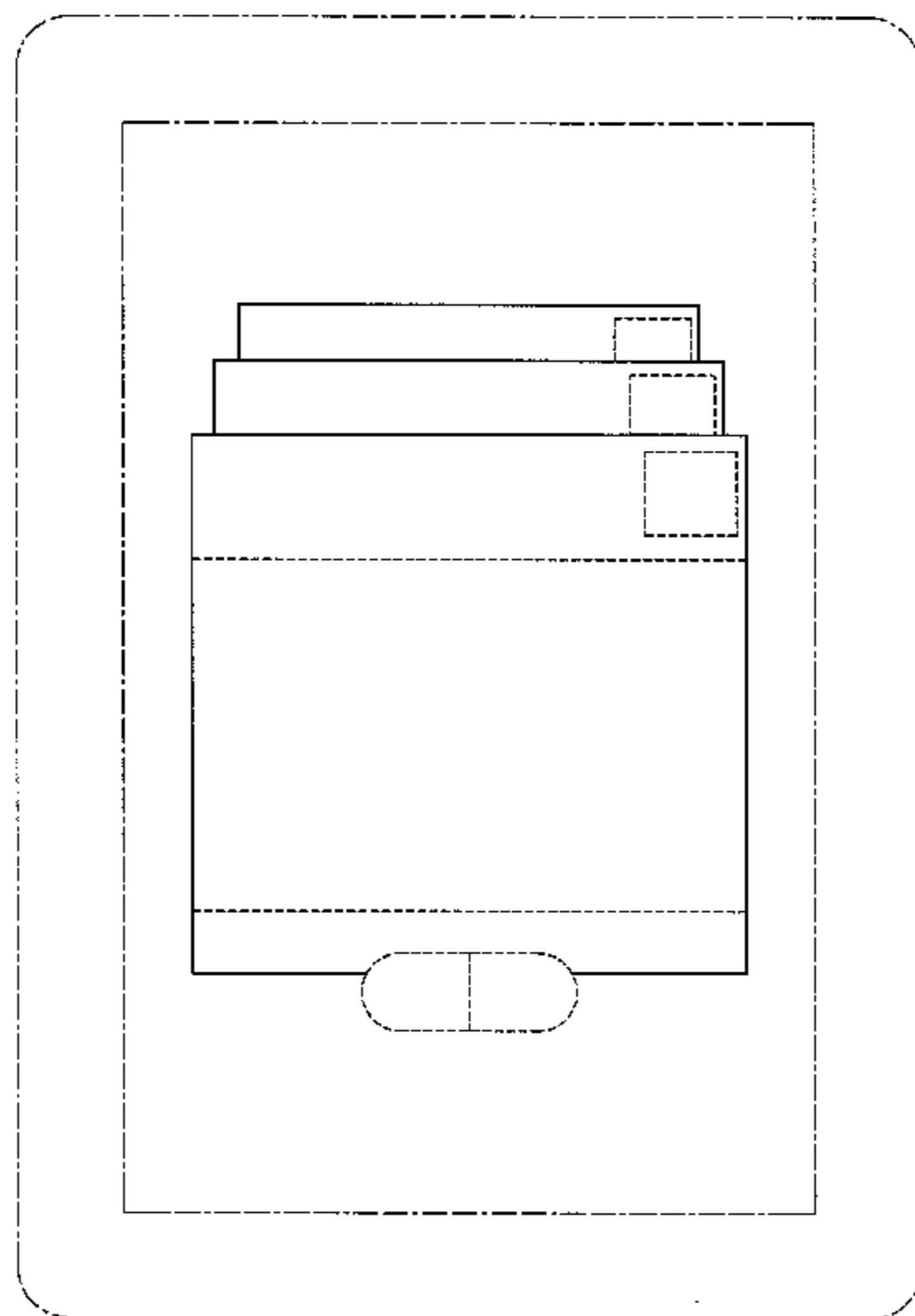
**DESCRIPTION**

FIG. 1 is a front view of the first image of a display screen with an animated graphical user interface showing our new design; FIG. 2 is a front view of a second image thereof; FIG. 3 is a front view of a third image thereof; FIG. 4 is a front view of a fourth image thereof; and, FIG. 5 is a front view of a fifth image thereof.

The broken line drawing of a display screen in all views forms no part of the claimed design. The broken line showing of the remainder of the animated graphical user interface in all views forms no part of the claimed design.

The appearance of the transitional image sequentially transitions between the images shown in FIGS. 1-5. The process or period in which one image transitions to another image forms no part of the claimed design.

**1 Claim, 5 Drawing Sheets**



(56)

**References Cited**

U.S. PATENT DOCUMENTS

D637,198 S *	5/2011	Furuya et al. ....	D14/486	D663,313 S *	7/2012	David et al. ....	D14/487
D637,606 S *	5/2011	Luke et al. ....	D14/488	D663,314 S *	7/2012	David et al. ....	D14/487
D645,872 S *	9/2011	Smith .....	D14/488	D683,345 S *	5/2013	Akana et al. ....	D14/341
D648,347 S *	11/2011	Chaudhri .....	D14/488	D688,676 S *	8/2013	Okumura et al. ....	D14/486
D650,799 S *	12/2011	Wantland et al. ....	D14/493	D705,250 S *	5/2014	Khanna .....	D14/488
D663,312 S *	7/2012	David et al. ....	D14/487	D707,249 S *	6/2014	Yamada .....	D14/488
				2006/0161868 A1 *	7/2006	Van Dok et al. ....	715/835
				2009/0313578 A1 *	12/2009	Roh et al. ....	715/790
				2011/0138320 A1 *	6/2011	Vronay et al. ....	715/781

\* cited by examiner

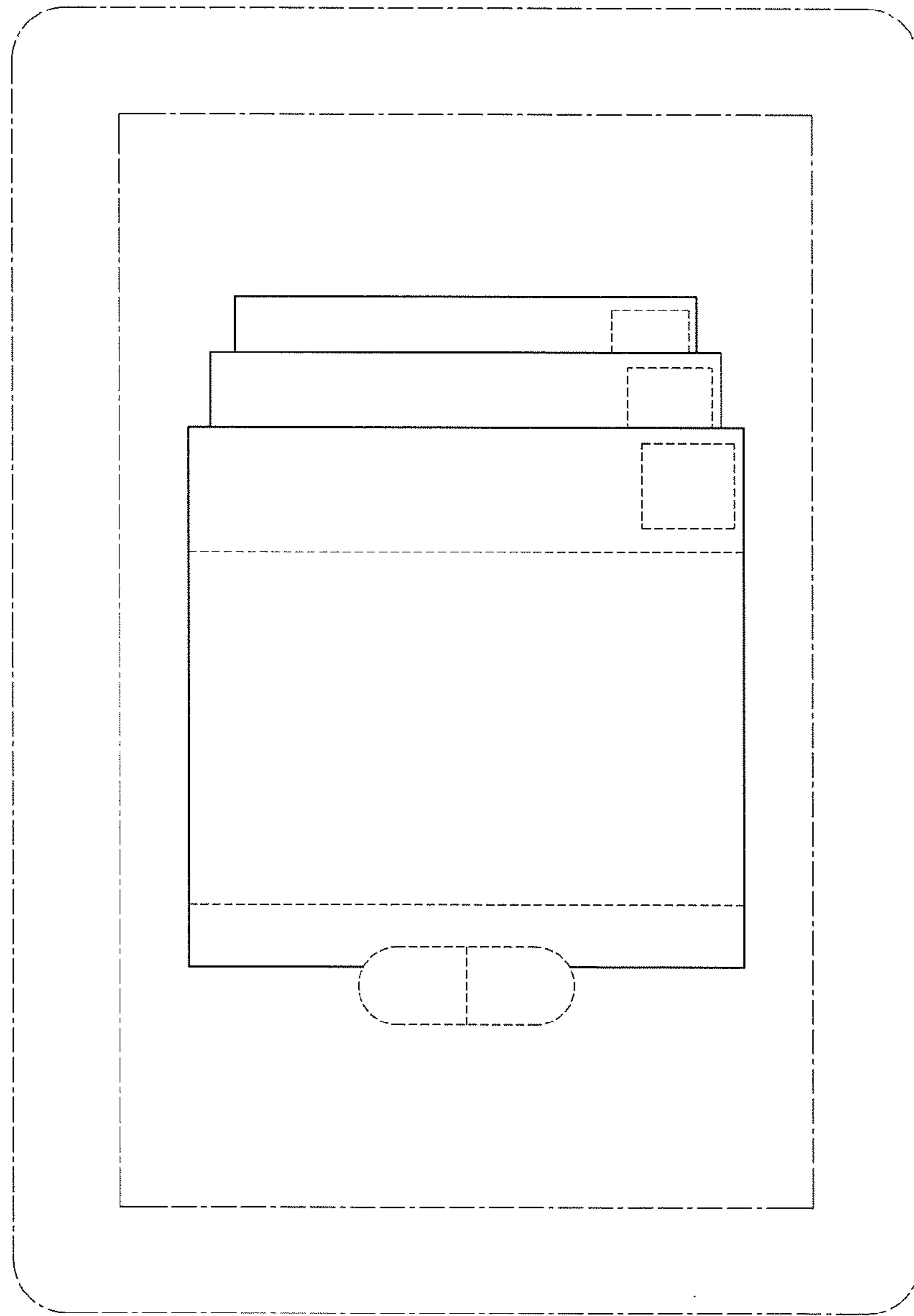


FIG. 1

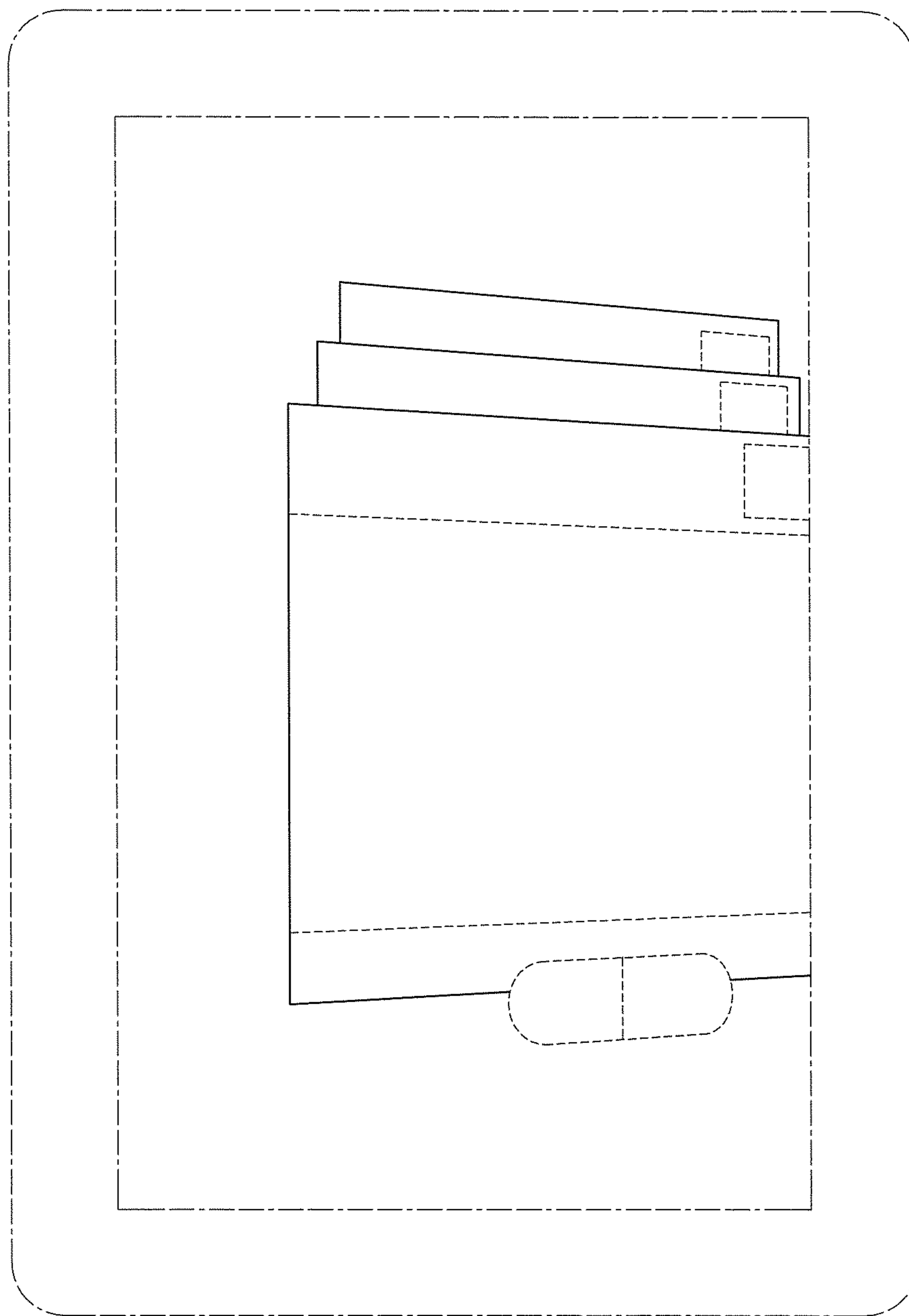


FIG. 2

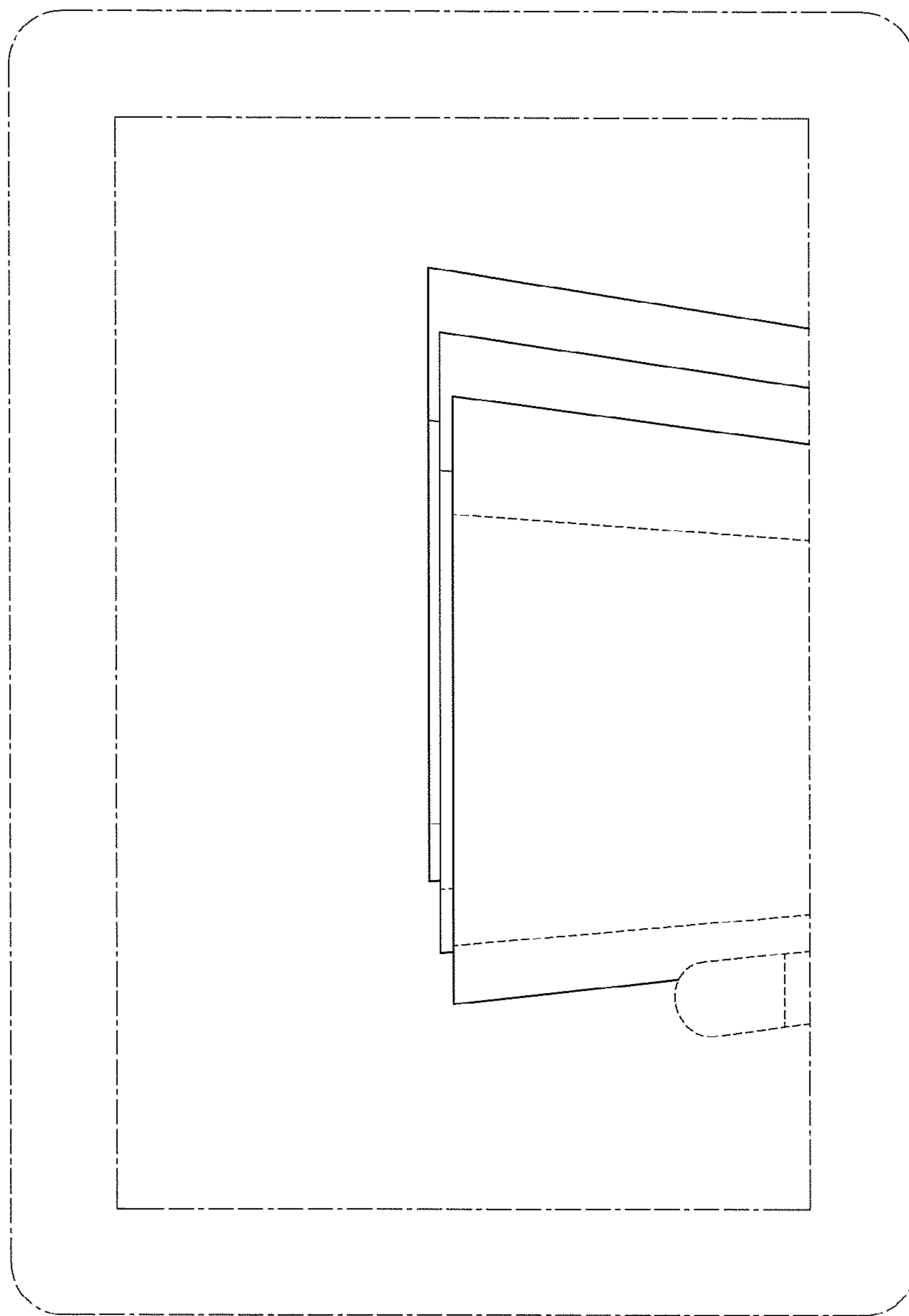


FIG. 3

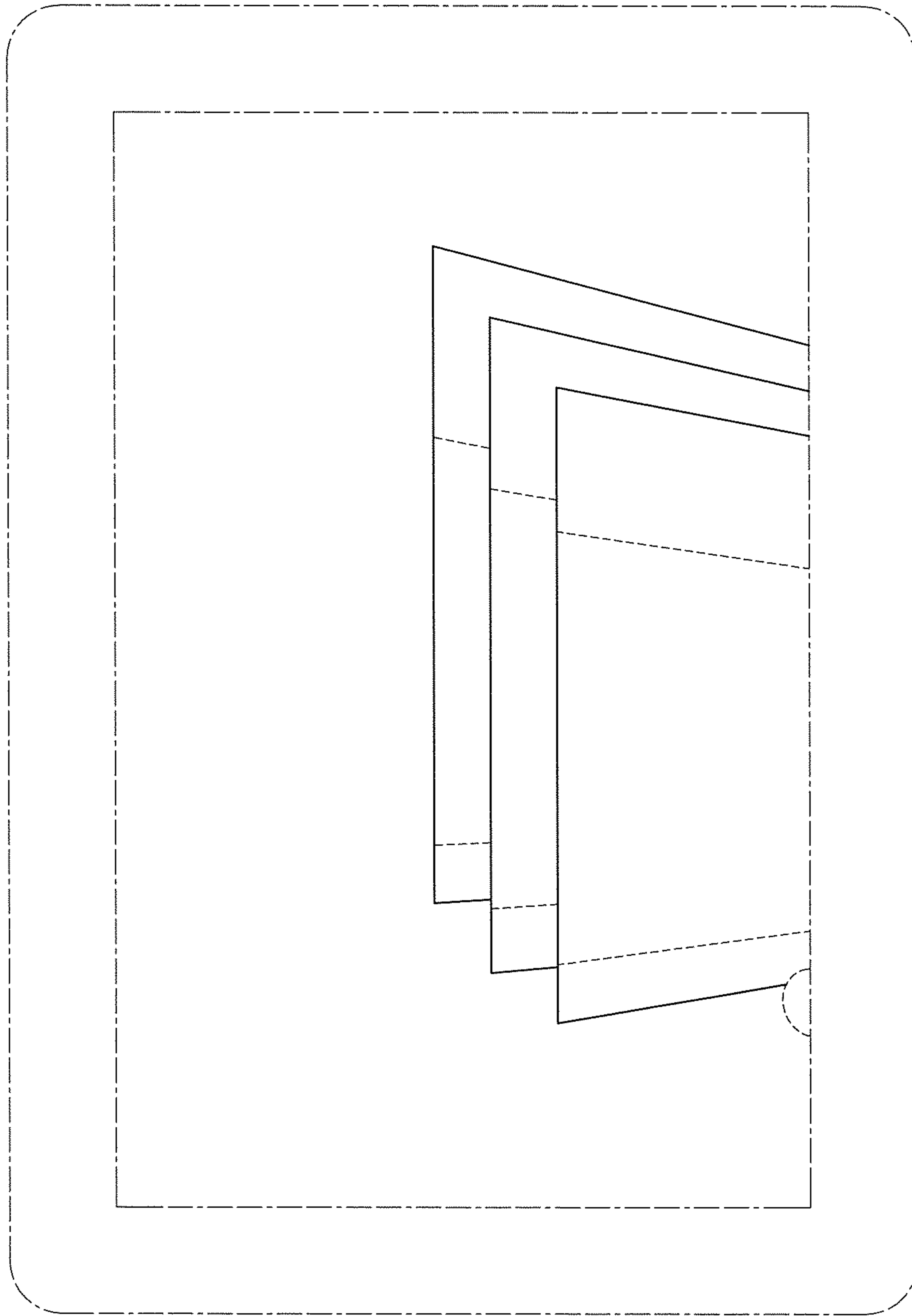


FIG. 4

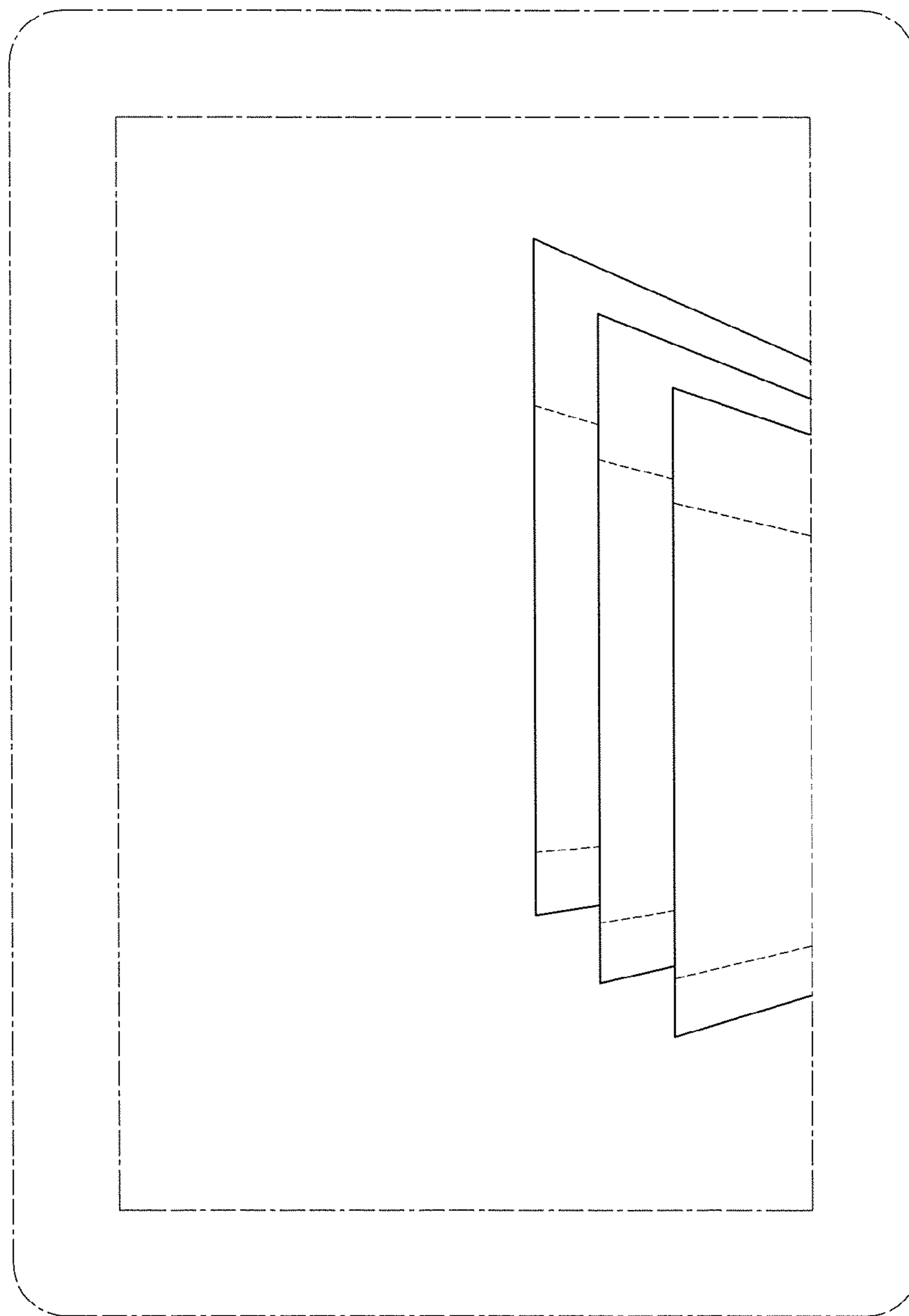


FIG. 5