



US00D730362S

(12) **United States Design Patent**  
**Akana et al.**

(10) **Patent No.:** **US D730,362 S**

(45) **Date of Patent:** **\*\* May 26, 2015**

(54) **COVER**

(71) Applicant: **Apple Inc.**, Cupertino, CA (US)

(72) Inventors: **Jody Akana**, San Francisco, CA (US); **Bartley K. Andre**, Palo Alto, CA (US); **Jeremy Bataillou**, San Francisco, CA (US); **Daniel J. Coster**, San Francisco, CA (US); **Daniele De Iuliis**, San Francisco, CA (US); **M. Evans Hankey**, San Francisco, CA (US); **Julian Hoenig**, San Francisco, CA (US); **Richard P. Howarth**, San Francisco, CA (US); **Jonathan P. Ive**, San Francisco, CA (US); **Duncan Robert Kerr**, San Francisco, CA (US); **Shin Nishibori**, Kailua, HI (US); **Matthew Dean Rohrbach**, San Francisco, CA (US); **Peter Russell-Clarke**, San Francisco, CA (US); **Christopher J. Stringer**, Woodside, CA (US); **Eugene Antony Whang**, San Francisco, CA (US); **Rico Zörkendörfer**, San Francisco, CA (US)

(73) Assignee: **Apple Inc.**, Cupertino, CA (US)

(\*\*) Term: **14 Years**

(21) Appl. No.: **29/479,056**

(22) Filed: **Jan. 10, 2014**

**Related U.S. Application Data**

(63) Continuation of application No. 29/455,191, filed on May 17, 2013, now Pat. No. Des. 697,512, which is a continuation of application No. 29/425,618, filed on Jun. 25, 2012, now Pat. No. Des. 682,836, and a continuation of application No. 29/432,296, filed on Sep. 14, 2012, now Pat. No. Des. 682,838, said application No. 29/425,618 is a continuation of application No. 29/384,903, filed on Feb. 4, 2011, now Pat. No. Des. 663,304, which is a continuation-in-part of application No. 29/375,197, filed on Sep. 17, 2010, now Pat. No. Des. 658,186, said application No.

29/432,296 is a continuation of application No. 29/418,778, filed on Apr. 20, 2012, now Pat. No. Des. 671,948, which is a continuation of application No. 29/375,197, filed on Jun. 17, 2010, now Pat. No. Des. 658,186.

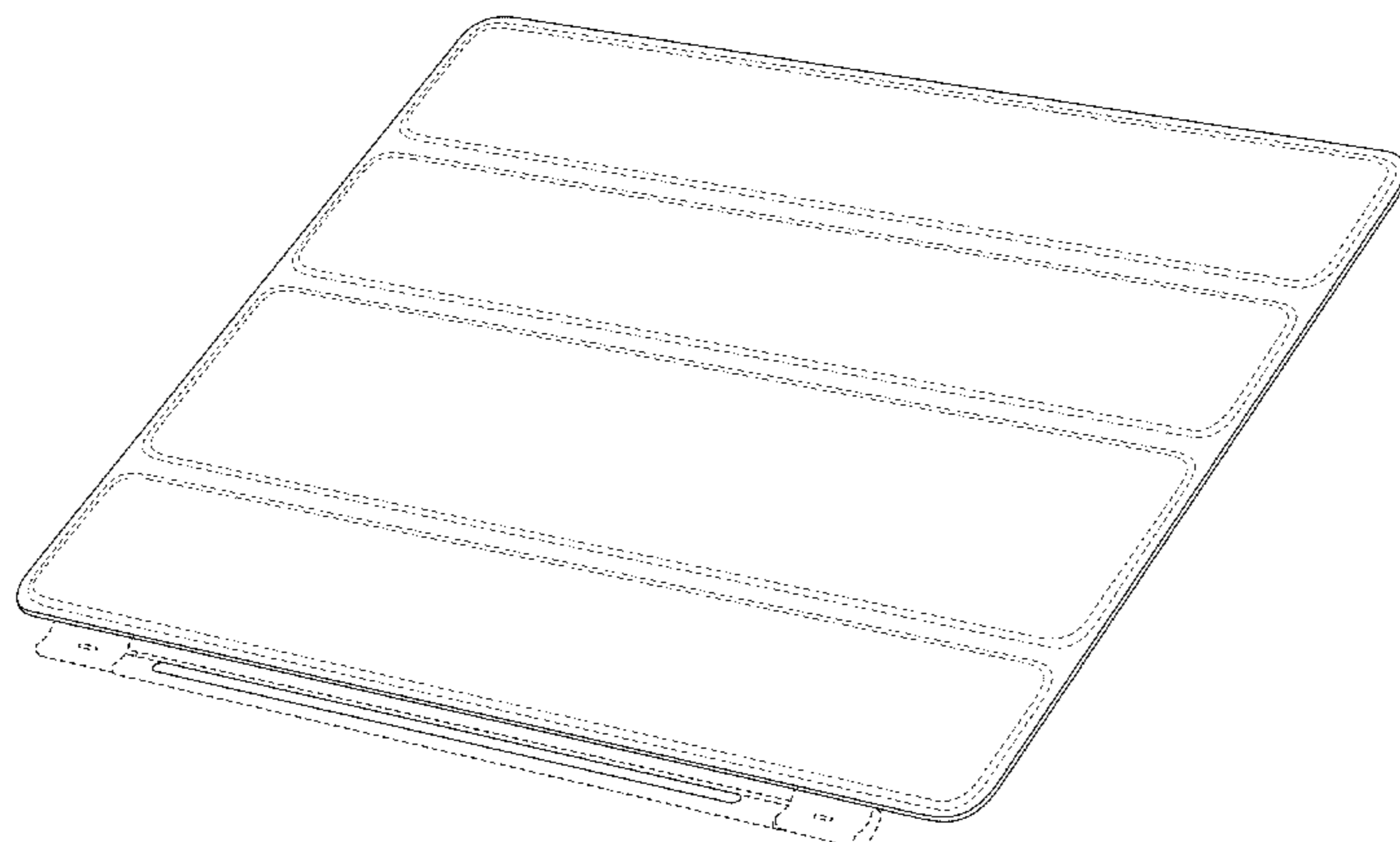
(51) **LOC (10) Cl.** ..... **14-02**

(52) **U.S. Cl.**  
USPC ..... **D14/440**

(58) **Field of Classification Search**

CPC .... A45C 13/002; A45C 13/02; A45C 13/005; A45C 13/34; A45C 3/02; A45C 5/02; A45C 15/00; A45C 11/00; A45C 2011/003; A45C 2011/002; A45C 2200/15; A45C 9/00; A45C 2013/025; A45C 7/00; G06F 1/1643; G06F 1/1647; G06F 1/1652; G06F 1/1654; G06F 1/1656; G06F 1/1632; G06F 1/1626; G06F 1/1628; G06F 1/203; G06F 1/1616; G06F 2200/1633; G06F 2200/1634; G06F 15/0216; A47G 1/141; B42D 15/008; G09F 9/305; F16M 13/00; F16M 11/38; A47B 23/044; A47B 23/043; A47B 2023/049; Y10S 248/918; Y10S 2148/919; H05K 13/00; H05K 5/03; H05K 5/0013; H04M 1/04; B65D 85/00; H01H 13/702; H01H 2223/052; H01H 2223/05

USPC ..... D14/439, 440, 345, 341-344, 346, 371, D14/125-129, 327, 248; 206/320, 576, 305, 206/215, 232, 524, 425, 472, 224, 312, 206/387.13, 307, 387.1, 756; D3/286, 283, D3/295, 273, 303, 247, 215, 245, 232, 900, D3/249, 201, 276, 294, 301, 319, 203.1, D3/323, 227; 224/929; 708/110; 190/109, 190/100, 119, 901; 361/683, 725, 681, 686, 361/679; 229/87.5, 67.1, 800; 220/522, 220/4.23; 345/169, 104, 156, 168, 173, 345/179, 672, 174; 150/147, 135; 402/2, 402/70-79, 500-502; 281/45, 38, 31, 29, 281/19.1, 34; D19/3, 26, 27, 33, 75, 86, 22, D19/90, 59, 60, 78, 83; D18/7, 17, 18; 383/97, 4, 110; 178/18.03, 18.01; 349/12; 428/332; D6/632, 407, 596, D6/601, 310, 611, 502, 583, 582, 595; 248/458; D13/102, 184; D20/18, 27, D20/42; 40/654.01, 536; D15/122;





D21/480, 690; D25/48; D12/401, 182,  
D12/203, 400, 191; D24/205, 206, 200,  
D24/188, 207, 212, 215; 280/808; 112/420;  
5/420; 604/308; 601/15, 108, 112, 60,  
601/64, 70, 71; 160/370.23, 370.21;  
D7/629, 392.1; D28/7, 8, 83, 84, 82;  
15/118; D32/40; 424/443; 442/123;  
D23/304; D9/435

See application file for complete search history.

(56)

References Cited

U.S. PATENT DOCUMENTS

144,315 A 11/1873 Cooper  
1,347,839 A 7/1920 Coons  
1,356,593 A 10/1920 Bettiker  
1,659,395 A 2/1928 Douglas  
D104,699 S 5/1937 Pilliod  
2,165,255 A \* 7/1939 Hamilton ..... 248/455  
2,222,665 A \* 11/1940 Hoenigsberg ..... 248/459  
D123,984 S 12/1940 Pichel  
2,279,164 A 4/1942 Gettleman  
D137,864 S 5/1944 Jolles  
D164,628 S 9/1951 Davis  
D167,065 S 6/1952 Bohanan  
D167,743 S 9/1952 Dorfman  
2,631,046 A 3/1953 Stephens  
2,726,835 A \* 12/1955 Hummel ..... 248/459  
2,834,703 A 5/1958 Atkinson  
2,983,431 A 5/1961 Turan  
3,015,834 A 1/1962 Marrinson et al.  
3,195,850 A \* 7/1965 Steiner ..... 248/454  
3,257,128 A 6/1966 Schneider  
3,305,205 A \* 2/1967 Frankl ..... 248/459  
3,336,610 A 8/1967 Geddings  
3,380,701 A \* 4/1968 Byars ..... 248/459  
3,410,516 A \* 11/1968 Criswell ..... 248/459  
3,460,744 A 8/1969 Turkenkopf  
3,587,578 A 6/1971 Walker  
D222,602 S 11/1971 Petrie  
3,735,516 A 5/1973 Wenstrom  
3,758,065 A 9/1973 Ranseen  
D230,376 S \* 2/1974 Andrew ..... D19/91  
3,797,146 A 3/1974 Holes  
D232,825 S 9/1974 Gerber  
3,970,332 A 7/1976 Alford, Jr.  
D245,458 S 8/1977 Hauss et al.  
4,044,942 A 8/1977 Sherwood  
D251,082 S 2/1979 Petrie  
4,143,847 A \* 3/1979 Cross ..... 248/459  
D255,523 S 6/1980 Yarabinec  
D255,524 S 6/1980 Yarabinec  
D258,723 S 3/1981 Cornou  
4,310,117 A 1/1982 Gullett  
D265,561 S 7/1982 Cottrell  
4,416,375 A 11/1983 Braverman et al.  
D274,493 S 7/1984 Dyby  
D275,153 S 8/1984 Weinreb  
4,520,958 A 6/1985 Jones et al.  
4,566,720 A 1/1986 Goldman et al.  
D283,231 S 4/1986 Bradenburger  
4,592,358 A 6/1986 Westplate  
4,607,817 A \* 8/1986 Aquino ..... 248/459  
4,621,729 A 11/1986 Jackson  
4,629,070 A 12/1986 Roberg  
4,643,544 A 2/1987 Loughran  
4,671,334 A 6/1987 Yadegar et al.  
4,693,495 A 9/1987 LaPointe  
4,703,160 A \* 10/1987 Narishima et al. .... 235/1 D  
D293,428 S 12/1987 Watts  
D296,006 S 5/1988 Asche  
D297,228 S 8/1988 Harpaz et al.  
4,765,462 A \* 8/1988 Rose, Jr. .... 206/760  
4,787,766 A 11/1988 Lorsch  
4,877,074 A 10/1989 Castellano  
D306,438 S 3/1990 Garmon et al.

D306,850 S 3/1990 Beedy  
D308,760 S 6/1990 King  
D310,987 S 10/1990 Law et al.  
D311,688 S 10/1990 Hodge  
D312,130 S 11/1990 Jones  
D312,214 S 11/1990 Hodge  
D312,835 S 12/1990 Holm  
D313,964 S 1/1991 Fuller  
5,000,319 A 3/1991 Mermelstein  
D317,329 S 6/1991 Annand  
D318,372 S 7/1991 Mackey  
D319,016 S 8/1991 Kahl  
D320,274 S 9/1991 Douglas  
D321,091 S 10/1991 Dickinson  
D321,761 S 11/1991 Shimizu  
5,066,158 A 11/1991 Huang  
5,092,354 A 3/1992 Pacelli, Jr.  
D325,637 S 4/1992 O'Brien et al.  
D327,046 S 6/1992 Eskandry et al.  
D329,747 S 9/1992 Embree  
D331,191 S 11/1992 Ventola et al.  
5,179,944 A 1/1993 McSymytz  
D341,373 S 11/1993 Stern  
D345,014 S 3/1994 Huffman  
5,337,985 A \* 8/1994 Hale ..... 248/174  
D352,357 S 11/1994 Ashley  
D356,120 S 3/1995 Allen  
5,431,449 A 7/1995 Arimoto et al.  
D360,778 S 8/1995 Apt, III et al.  
5,439,101 A 8/1995 Brink et al.  
5,450,858 A 9/1995 Zablotsky et al.  
D364,191 S 11/1995 Allen  
5,480,192 A 1/1996 Angerbauer et al.  
5,487,566 A 1/1996 Hedge, Jr.  
D369,998 S 5/1996 Eskandry  
D370,177 S 5/1996 Bankier  
D370,650 S 6/1996 Eskandry  
5,566,871 A 10/1996 Weintraub  
D383,213 S 9/1997 Ingram  
D389,509 S 1/1998 Yasoshima  
D389,646 S 1/1998 Sankey et al.  
D390,007 S 2/1998 Ahern, Jr.  
D391,298 S 2/1998 Johnson et al.  
5,722,628 A \* 3/1998 Menaged ..... 248/441.1  
D405,200 S 2/1999 Hines  
D406,463 S 3/1999 Rutledge  
5,887,723 A 3/1999 Myles et al.  
5,902,256 A 5/1999 Benaron  
D411,353 S 6/1999 Dickinson et al.  
5,996,778 A 12/1999 Shih  
D418,867 S 1/2000 Platte, III  
6,122,785 A 9/2000 Bondie et al.  
D432,477 S 10/2000 Gorodetsky  
D435,171 S 12/2000 Anderson  
D436,179 S 1/2001 Small  
D442,321 S 5/2001 Cheng  
D445,744 S 7/2001 Hsing  
D446,982 S 8/2001 Block  
6,289,968 B1 9/2001 Karten et al.  
D449,927 S 11/2001 Dorizas  
6,388,872 B1 5/2002 Liao et al.  
6,427,371 B2 8/2002 Olson et al.  
D467,429 S \* 12/2002 Bone et al. .... D3/294  
6,493,969 B2 12/2002 Devos  
D468,868 S 1/2003 Thorpe et al.  
6,527,330 B1 3/2003 Steffens et al.  
D473,939 S 4/2003 Hantke et al.  
D473,940 S 4/2003 Hantke et al.  
6,539,653 B1 4/2003 Finke  
6,543,949 B1 \* 4/2003 Ritchey et al. .... 400/691  
6,568,005 B2 5/2003 Fleming et al.  
D480,971 S 10/2003 DeLuca et al.  
6,634,691 B2 10/2003 Henderson  
D484,736 S 1/2004 Sarnoff  
D485,837 S 1/2004 Tseng et al.  
D487,521 S 3/2004 Link  
D487,551 S 3/2004 Lee  
6,702,359 B2 3/2004 Armstrong et al.  
6,763,942 B1 7/2004 Yeh



# US D730,362 S

D494,469 S	8/2004	Solowiejko	D628,132 S	11/2010	Grzyb et al.
6,772,879 B1	8/2004	Domotor	D628,197 S	11/2010	Li
D496,322 S	9/2004	Farney et al.	D628,705 S	12/2010	Usui et al.
D498,308 S	11/2004	Mock	D628,706 S	12/2010	Usui et al.
D505,041 S	5/2005	Lesosky	D629,195 S	12/2010	Jusic
6,887,486 B2	5/2005	Gregoire	D629,914 S	12/2010	Hunter
D511,838 S	11/2005	Vedra	D631,912 S	2/2011	Epstein
D521,553 S	5/2006	Sterman	D632,660 S	2/2011	Donowho et al.
7,037,021 B2	5/2006	Raschke	D633,388 S	3/2011	Andre et al.
D527,535 S	9/2006	Sturba et al.	D633,673 S	3/2011	McKnight
D533,347 S	12/2006	Andre et al.	D633,879 S	3/2011	Heng et al.
D538,096 S	3/2007	Bartell et al.	D635,135 S	3/2011	Li
D538,575 S	3/2007	Bartell et al.	D635,564 S	4/2011	Li
D544,922 S	6/2007	Shaffer	D637,399 S	5/2011	Romero et al.
7,227,741 B2	6/2007	Garel et al.	D637,814 S *	5/2011	Akana et al. .... D3/303
7,236,357 B2	6/2007	Chen	D638,526 S	5/2011	Newman
D548,782 S	8/2007	Nash	D638,627 S	5/2011	Romero et al.
D550,137 S	9/2007	Kraines	D640,089 S	6/2011	Green et al.
D551,265 S	9/2007	Brinson	D641,720 S	7/2011	Heng et al.
D553,410 S	10/2007	Kramer	D643,433 S	8/2011	Hsieh et al.
D557,347 S	12/2007	Nishimoto	8,143,982 B1 *	3/2012	Lauder et al. .... 335/219
D560,383 S	1/2008	Woods	D658,186 S	4/2012	Akana et al.
7,318,521 B2	1/2008	Lau	D658,187 S	4/2012	Diebel
7,322,063 B2	1/2008	Esimai	D658,188 S	4/2012	Diebel
D564,223 S	3/2008	Messineo	D662,100 S	6/2012	Van Den Nieuwenhuizen et al.
D565,196 S	3/2008	Mock et al.	D663,304 S	7/2012	Akana et al.
D566,111 S	4/2008	Nakagawa	8,245,843 B1 *	8/2012	Wu ..... 206/320
D572,709 S	7/2008	Nakagawa et al.	8,253,518 B2 *	8/2012	Lauder et al. .... 335/219
7,398,868 B2	7/2008	Morszeck	8,281,924 B2 *	10/2012	Westrup ..... 206/320
D574,385 S	8/2008	Koh et al.	D671,114 S *	11/2012	Akana et al. .... D14/341
D574,386 S	8/2008	Bailo	D671,948 S	12/2012	Akana et al.
D574,962 S	8/2008	Atkins et al.	D672,781 S *	12/2012	Lu ..... D14/440
7,435,103 B2	10/2008	Ma	D673,158 S *	12/2012	Yang et al. .... D14/440
D581,857 S	12/2008	Bogard	D678,260 S *	3/2013	Bau ..... D14/250
D581,859 S	12/2008	Bogard	D679,279 S *	4/2013	Yang et al. .... D14/440
D581,865 S	12/2008	Koza	D679,715 S *	4/2013	Akana et al. .... D14/440
D582,047 S	12/2008	Yim	D681,641 S *	5/2013	Van Den Nieuwenhuizen et al. .... D14/440
D582,475 S	12/2008	Guest	D682,836 S *	5/2013	Akana et al. .... D14/440
D583,479 S	12/2008	Yim	D685,801 S *	7/2013	Canizares et al. .... D14/440
D583,959 S	12/2008	Yim	D685,803 S *	7/2013	Akana et al. .... D14/440
D584,141 S	1/2009	Smith et al.	D686,627 S *	7/2013	Akana et al. .... D14/440
D584,612 S	1/2009	Ianello	D687,438 S *	8/2013	Lu ..... D14/440
D587,797 S	3/2009	Blanchard	D688,251 S *	8/2013	Akana et al. .... D14/440
D587,812 S	3/2009	Uchiyama et al.	D688,669 S *	8/2013	Akana et al. .... D14/440
D592,402 S	5/2009	Ahlgrim et al.	D689,498 S *	9/2013	Akana et al. .... D14/440
D596,305 S	7/2009	Usui et al.	D689,870 S *	9/2013	Fong et al. .... D14/447
D597,302 S	8/2009	Adams et al.	D690,702 S *	10/2013	Chung ..... D14/440
D599,286 S	9/2009	Horito et al.	D691,142 S *	10/2013	Diebel ..... D14/440
D599,484 S	9/2009	Gray et al.	D691,143 S *	10/2013	Diebel ..... D14/440
D599,761 S	9/2009	Birsel et al.	D691,611 S *	10/2013	Kirzinger ..... D14/440
D599,959 S	9/2009	Washington	D696,253 S *	12/2013	Akana et al. .... D14/345
D600,699 S	9/2009	Johnston et al.	D696,669 S *	12/2013	Akana et al. .... D14/440
7,584,841 B2	9/2009	Chan et al.	D697,512 S *	1/2014	Akana et al. .... D14/440
D601,369 S	10/2009	Mock et al.	8,657,112 B2 *	2/2014	Igarashi ..... 206/320
D602,598 S	10/2009	Yim	D703,209 S *	4/2014	Marcus ..... D14/440
D603,906 S	11/2009	Miller et al.	D704,702 S *	5/2014	Akana et al. .... D14/341
D604,727 S	11/2009	Chu et al.	D706,270 S *	6/2014	Akana et al. .... D14/440
D605,940 S	12/2009	Lin	D708,836 S *	7/2014	Lee ..... D3/201
D606,119 S	12/2009	Miller et al.	D711,887 S *	8/2014	Akana et al. .... D14/440
D606,120 S	12/2009	Miller et al.	D713,848 S *	9/2014	Akana et al. .... D14/440
D606,121 S	12/2009	Miller et al.	D719,956 S *	12/2014	Akana et al. .... D14/440
D607,253 S	1/2010	McCammon	8,915,357 B2 *	12/2014	Mecchella ..... 206/45.23
D607,255 S	1/2010	Sunseri	8,919,544 B2 *	12/2014	Lee ..... 206/45.24
7,643,274 B2	1/2010	Bekele	D720,756 S *	1/2015	Stavarakakis ..... D14/440
D609,360 S	2/2010	Yim	D721,081 S *	1/2015	Hirst ..... D14/440
D609,912 S	2/2010	Kyono et al.	2003/0104036 A1	6/2003	Gregoire
D613,062 S	4/2010	Romero et al.	2003/0150756 A1 *	8/2003	Kajiya ..... 206/320
D613,982 S	4/2010	Wilson et al.	2004/0005184 A1 *	1/2004	Kim et al. .... 400/472
D616,930 S	6/2010	Engel et al.	2004/0240164 A1 *	12/2004	Lee ..... 361/683
7,735,644 B2	6/2010	Sirichai et al.	2005/0001021 A1	1/2005	Hutchinson
D620,122 S	7/2010	Cotton	2005/0021114 A1	1/2005	Hidaka
D620,877 S	8/2010	Rusher et al.	2005/0087274 A1	4/2005	Ouyang
D622,061 S	8/2010	Higginson	2005/0246851 A1	11/2005	Cline
D623,940 S	9/2010	Ianello	2006/0103272 A1	5/2006	Chen et al.
D624,615 S	9/2010	Kusmierz	2006/0285283 A1 *	12/2006	Simonian et al. .... 361/679
D627,078 S	11/2010	Matsuo et al.	2007/0014079 A1	1/2007	Chen
D627,117 S	11/2010	Hale	2007/0279855 A1	12/2007	Linsmeier et al.
D627,775 S	11/2010	Li	2008/0167095 A1	7/2008	Kim et al.
D628,004 S	11/2010	Moorefield			

2008/0174946	A1	7/2008	Chen et al.	
2009/0000169	A1	1/2009	Houssain et al.	
2009/0017883	A1	1/2009	Lin	
2009/0107858	A1	4/2009	Huang	
2009/0128785	A1*	5/2009	Silverstein	353/119
2009/0159763	A1	6/2009	Kim	
2009/0194209	A1	8/2009	De Filippis et al.	
2009/0314400	A1*	12/2009	Liu	150/165
2010/0122924	A1	5/2010	Andrews	
2010/0294683	A1*	11/2010	Mish et al.	206/320
2011/0162987	A1	7/2011	Bekele	
2011/0163642	A1*	7/2011	Rohrbach et al.	312/223.1
2011/0221319	A1*	9/2011	Law et al.	312/325
2011/0227463	A1*	9/2011	Hou et al.	312/223.1
2011/0266194	A1*	11/2011	Bau	206/736
2011/0284420	A1*	11/2011	Sajid	206/576
2011/0290687	A1*	12/2011	Han	206/320
2012/0037523	A1*	2/2012	Diebel et al.	206/320
2012/0069502	A1*	3/2012	Lauder et al.	361/679.01
2012/0125791	A1*	5/2012	Parker et al.	206/45.2
2012/0146466	A1*	6/2012	Lu et al.	312/223.1
2012/0147541	A1*	6/2012	Chen et al.	361/679.21
2012/0153116	A1*	6/2012	Harrison	248/460
2012/0181195	A1*	7/2012	Lu et al.	206/320
2012/0248277	A1*	10/2012	Yang et al.	248/346.3
2012/0305413	A1*	12/2012	Chung	206/45.23
2013/0020216	A1*	1/2013	Chiou	206/320
2013/0043148	A1*	2/2013	Chen et al.	206/45.23
2013/0048514	A1*	2/2013	Corcoran et al.	206/45.23
2013/0075280	A1*	3/2013	Besner	206/45.23
2013/0134061	A1*	5/2013	Wu et al.	206/320
2013/0140194	A1*	6/2013	Han	206/45.23
2013/0140203	A1*	6/2013	Chiang	206/320
2013/0146482	A1*	6/2013	Huang	206/45.23
2013/0284615	A1*	10/2013	Lee	206/45.23

OTHER PUBLICATIONS

Case-Parts, "Original Targus Folding Genuine Leather Case for Apple iPad with Built-in Holder," <http://www.case-parts.com/de->

tails/Original-Targus-Folding-Genuine-Leather-Case-for-Apple-iPad-with-Built-in-Holder-IPAD-570/photos.htm, 3 pages, Mar. 2011. Incase, "Introducing the Convertible Magazine Jacket for iPad," [goincase.com](http://goincase.com), accessed at <http://goincase.com/blog/2010/11/23/introducing-the-convertible-magazine-jacket-for-ipad/>, posted Nov. 23, 2010, 7 pages.

\* cited by examiner

Primary Examiner — Susan Moon Lee

(74) Attorney, Agent, or Firm — Sterne, Kessler, Goldstein & Fox P.L.L.C.

(57) CLAIM

The ornamental design for a cover, as shown and described.

DESCRIPTION

FIG. 1 is a front perspective view of a cover showing our new design;

FIG. 2 is a rear perspective view thereof;

FIG. 3 is a front view thereof;

FIG. 4 is a rear view thereof;

FIG. 5 is a bottom view thereof;

FIG. 6 is a top view thereof; and,

FIG. 7 is a side view thereof, the opposite side being a mirror image thereof.

Broken lines and portions contained within broken line are not claimed.

1 Claim, 6 Drawing Sheets



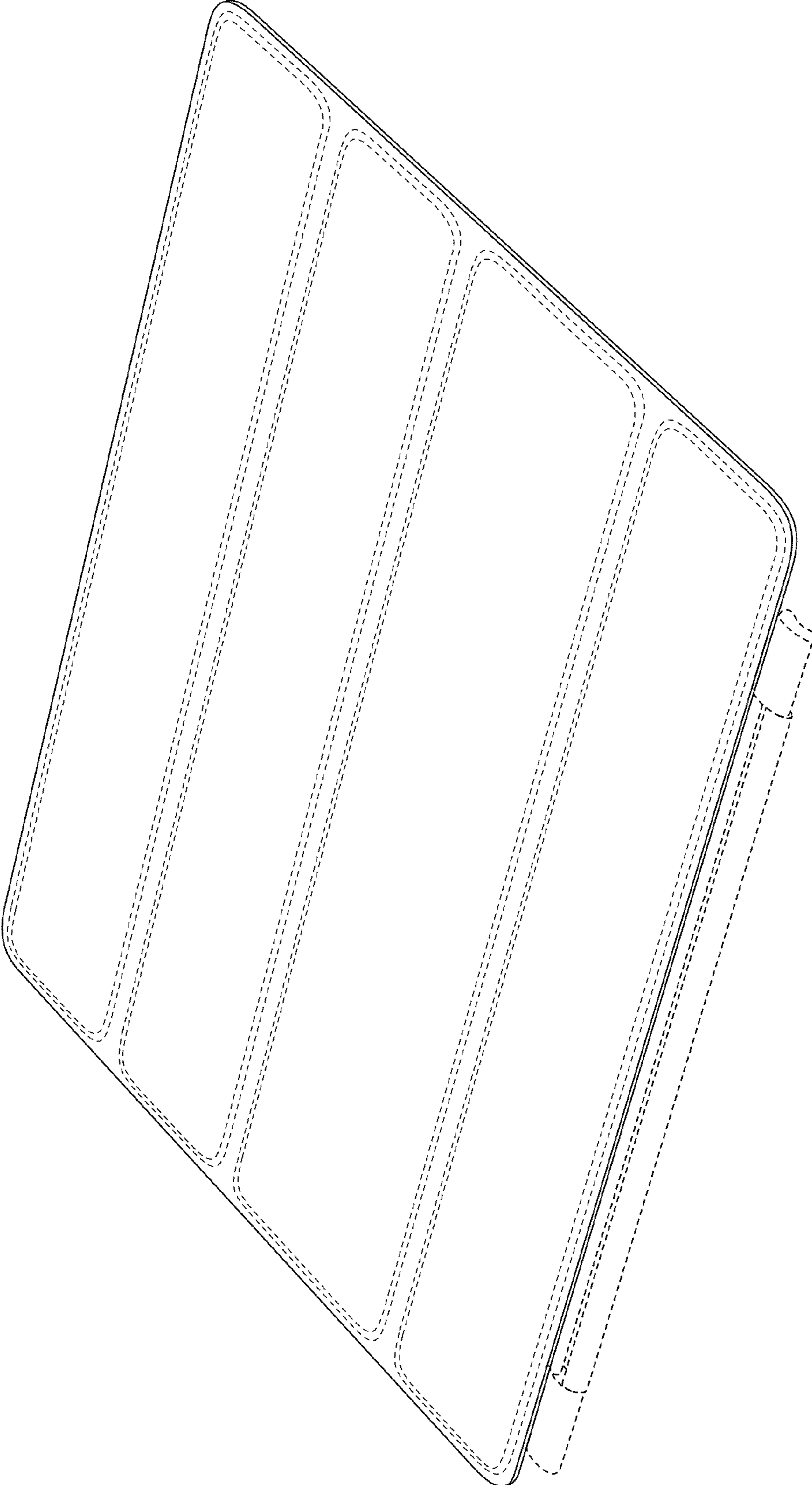


FIG. 1

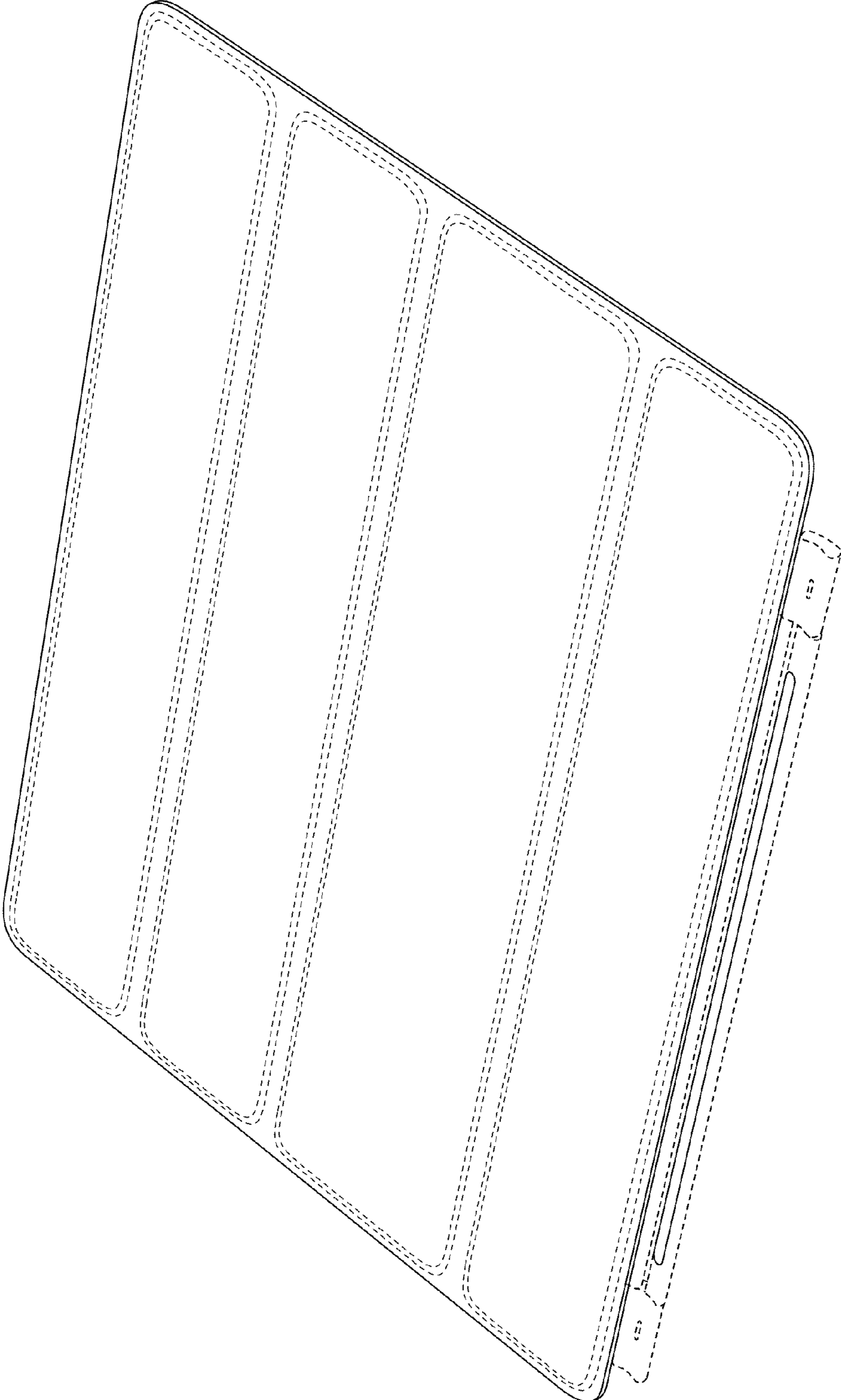


FIG. 2

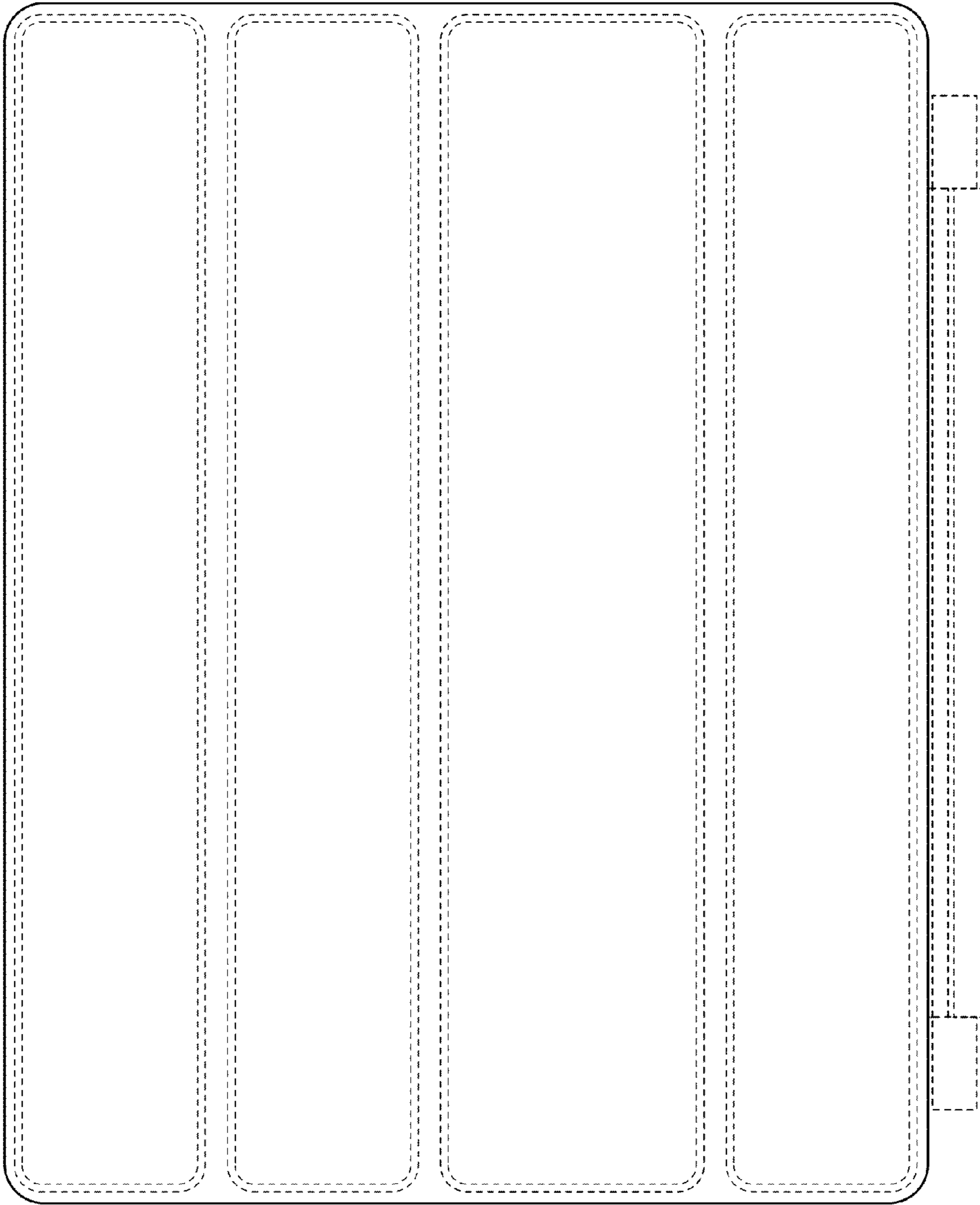


FIG. 3

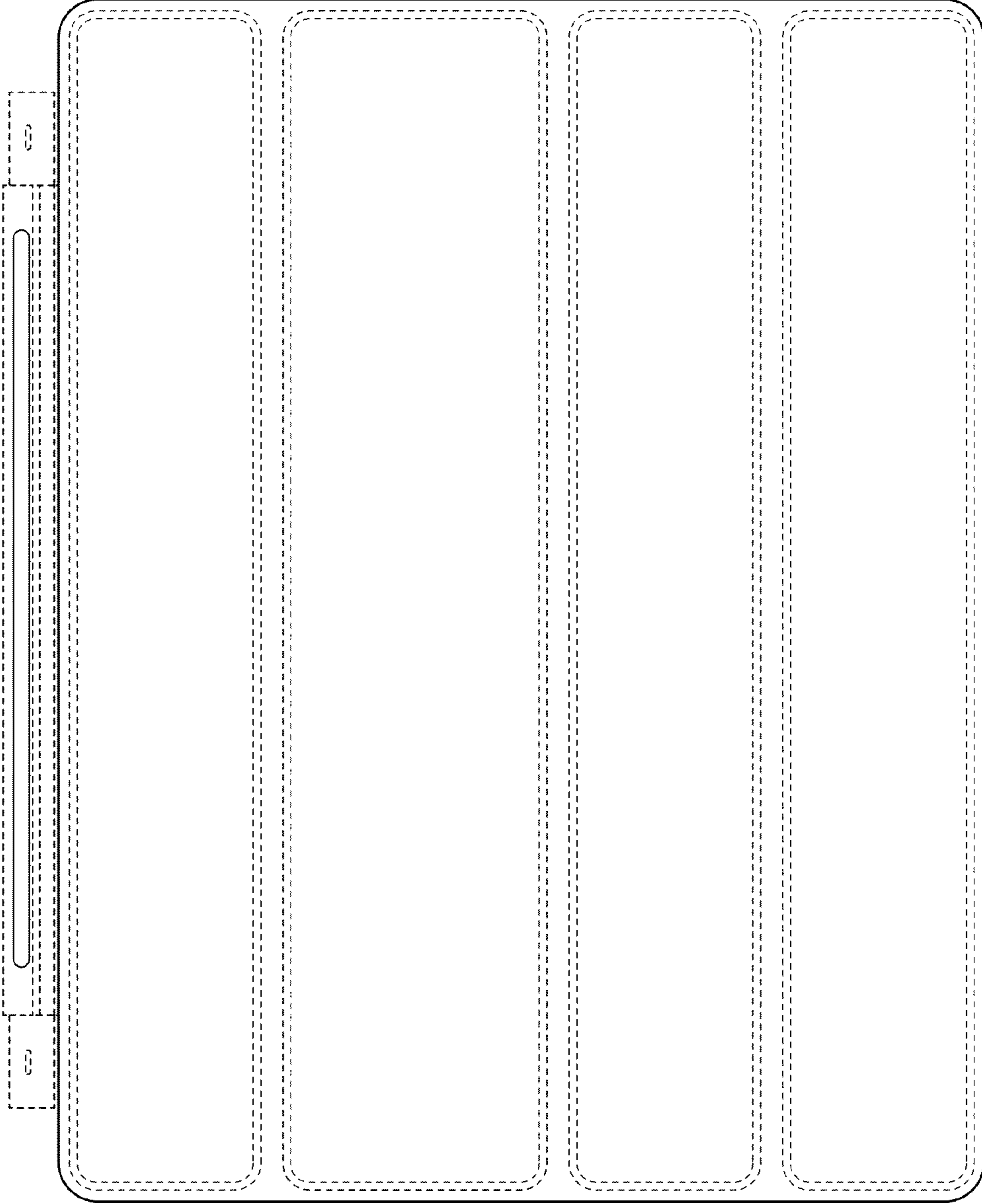


FIG. 4





FIG. 5



FIG. 6



FIG. 7

UNITED STATES PATENT AND TRADEMARK OFFICE  
**CERTIFICATE OF CORRECTION**

PATENT NO. : D730,362 S  
APPLICATION NO. : 29/479056  
DATED : May 26, 2015  
INVENTOR(S) : Jody Akana et al.

Page 1 of 1

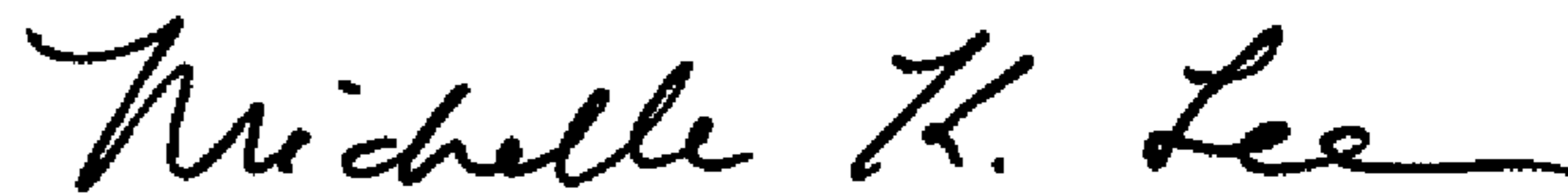
It is certified that error appears in the above-identified patent and that said Letters Patent is hereby corrected as shown below:

On the Title Page

Item (63) column 2 lines 3-5, please change the following priority information:

“which is a continuation of application No. 29/375,197, filed on Jun. 17, 2010 now Pat. No. Des. 658,186.” to --which is a continuation of application No. 29/375,197, filed on Sep. 17, 2010, now Pat. No. Des. 658,186.--.

Signed and Sealed this  
Twenty-ninth Day of September, 2015



Michelle K. Lee  
*Director of the United States Patent and Trademark Office*