



US00D730359S

(12) **United States Design Patent**
Fustino et al.

(10) **Patent No.:** **US D730,359 S**

(45) **Date of Patent:** **** May 26, 2015**

(54) **DOCKING STATION**

(71) Applicants: **David J. Fustino**, Framingham, MA
(US); **Richard J. Carbone**, Sterling,
MA (US)

(72) Inventors: **David J. Fustino**, Framingham, MA
(US); **Richard J. Carbone**, Sterling,
MA (US)

(73) Assignee: **Bose Corporation**, Framingham, MA
(US)

(**) Term: **14 Years**

(21) Appl. No.: **29/455,719**

(22) Filed: **May 23, 2013**

(51) **LOC (10) Cl.** **14-02**

(52) **U.S. Cl.**
USPC **D14/434**

(58) **Field of Classification Search**
USPC D14/142, 149, 155, 157, 188, 191-193,
D14/230.1-203.8, 217, 251, 253,
D14/432-435.1, 447, 451, 496, 474,
D14/480.1-480.7; D13/107, 108, 118;
D3/218; 248/221.11, 309.1; 320/107,
320/110, 113-115; 361/600, 679, 683, 686;
439/529, 534; 455/556.1-556.2, 557

See application file for complete search history.

(56) **References Cited**

U.S. PATENT DOCUMENTS

D366,659	S	*	1/1996	Ross et al.	D14/447
D592,189	S	*	5/2009	Corsini et al.	D14/217
D641,368	S	*	7/2011	McParland	D14/434
D647,908	S	*	11/2011	Chen et al.	D14/434
D660,840	S	*	5/2012	Chen	D14/434
D673,156	S	*	12/2012	Detemple	D14/434
D676,447	S	*	2/2013	Detemple	D14/434
D680,116	S	*	4/2013	McParland et al.	D14/434
8,634,873	B2	*	1/2014	Jones et al.	455/557
D708,228	S	*	7/2014	Fustino et al.	D14/496

* cited by examiner

Primary Examiner — Ian Simmons

Assistant Examiner — Harold Blackwell, II

(74) *Attorney, Agent, or Firm* — Bose Corporation

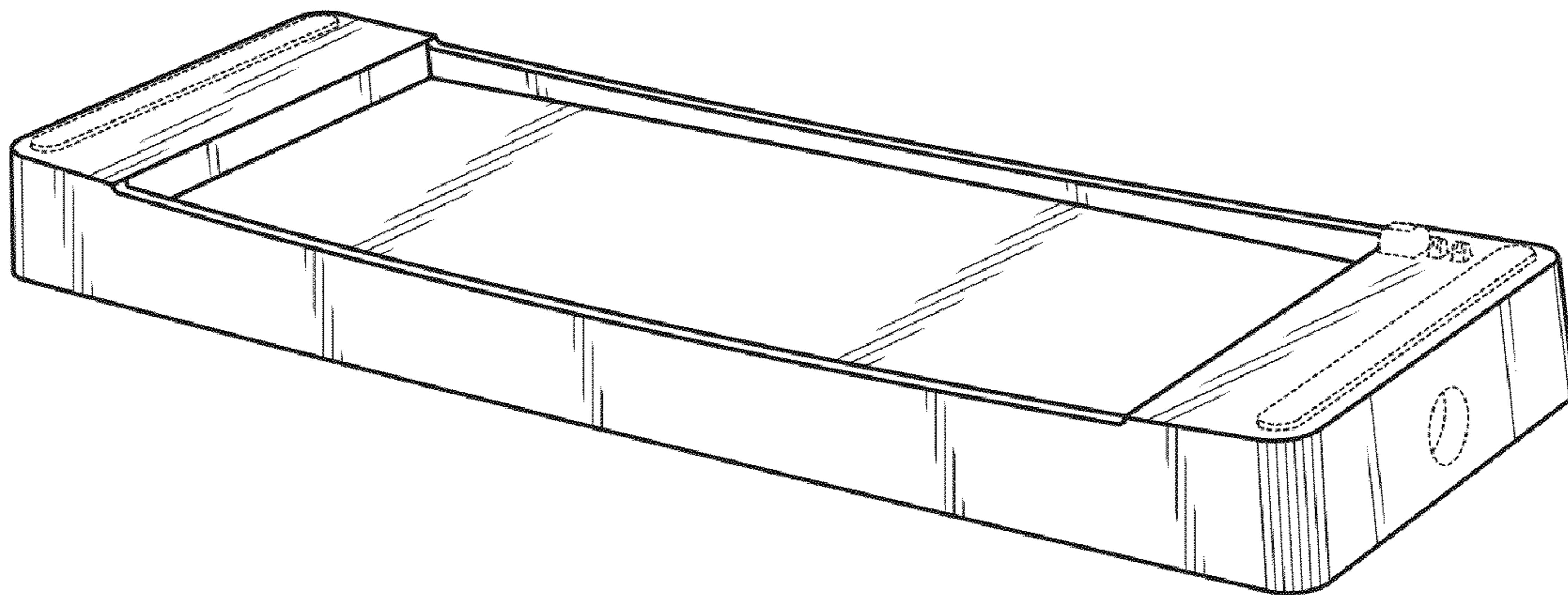
(57) **CLAIM**

The ornamental design for a docking station, substantially as shown and described.

DESCRIPTION

FIG. 1 is a perspective view of a docking station as seen from the front, top and side;
FIG. 2 is a perspective view thereof as seen from the back, bottom and opposite side;
FIG. 3 is a top view thereof;
FIG. 4 is a bottom view thereof;
FIG. 5 is a front view thereof;
FIG. 6 is a back view thereof;
FIG. 7 is a side view thereof; and,
FIG. 8 is an opposite side view thereof.
The dotted lines illustrate portions of the docking station which form no part of the claimed design.

1 Claim, 3 Drawing Sheets



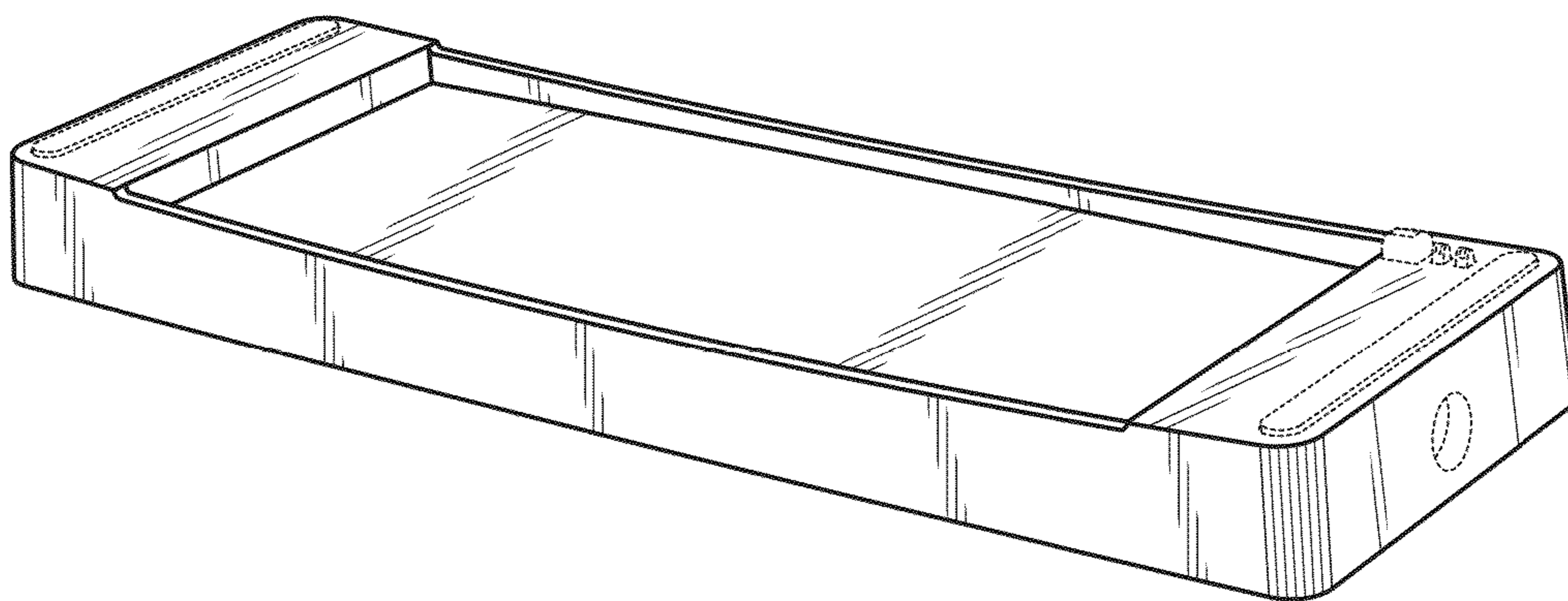


FIG. 1

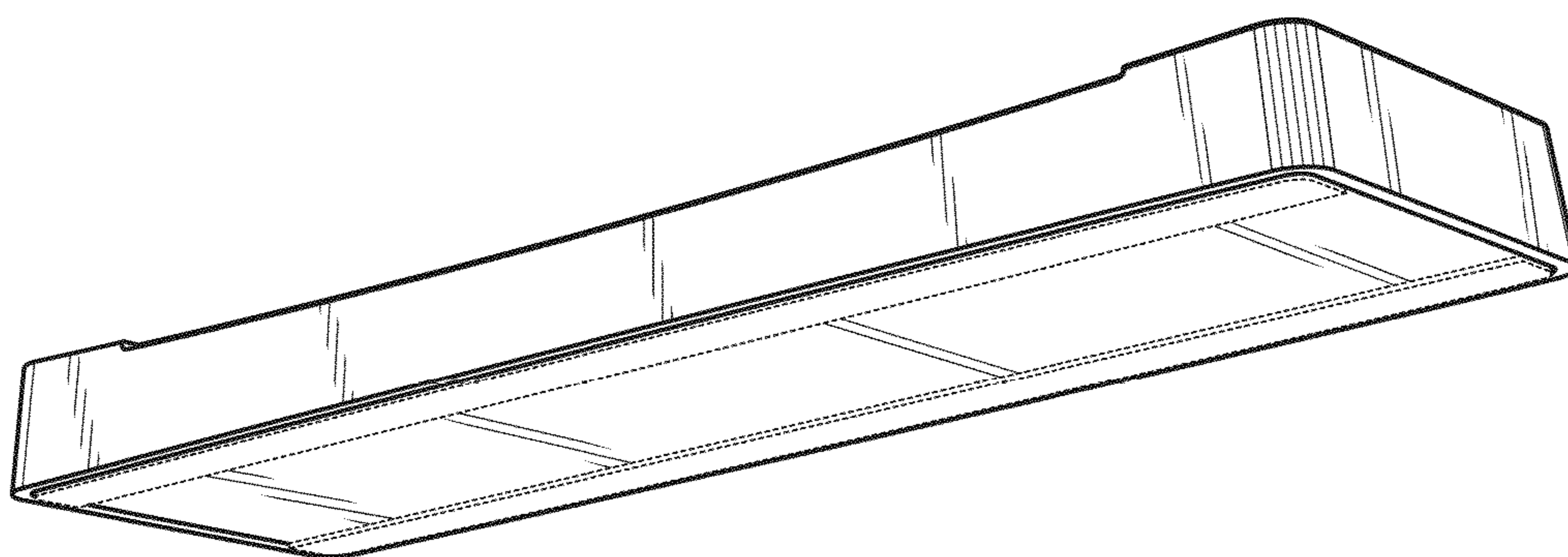


FIG. 2

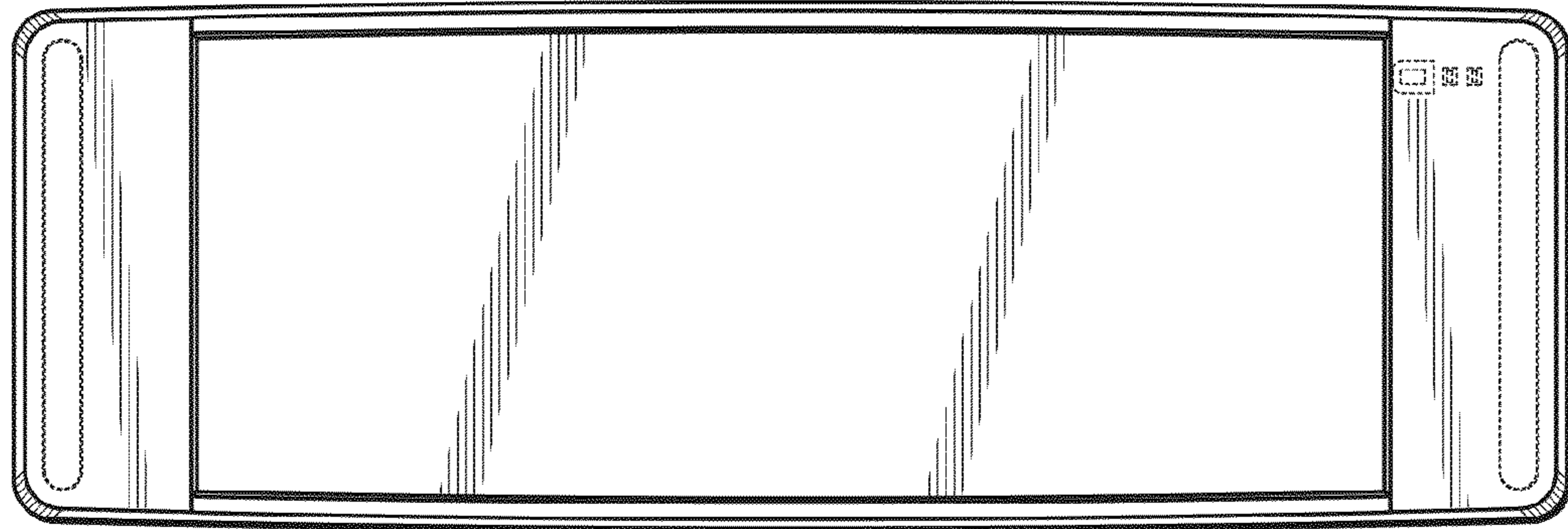


FIG. 3

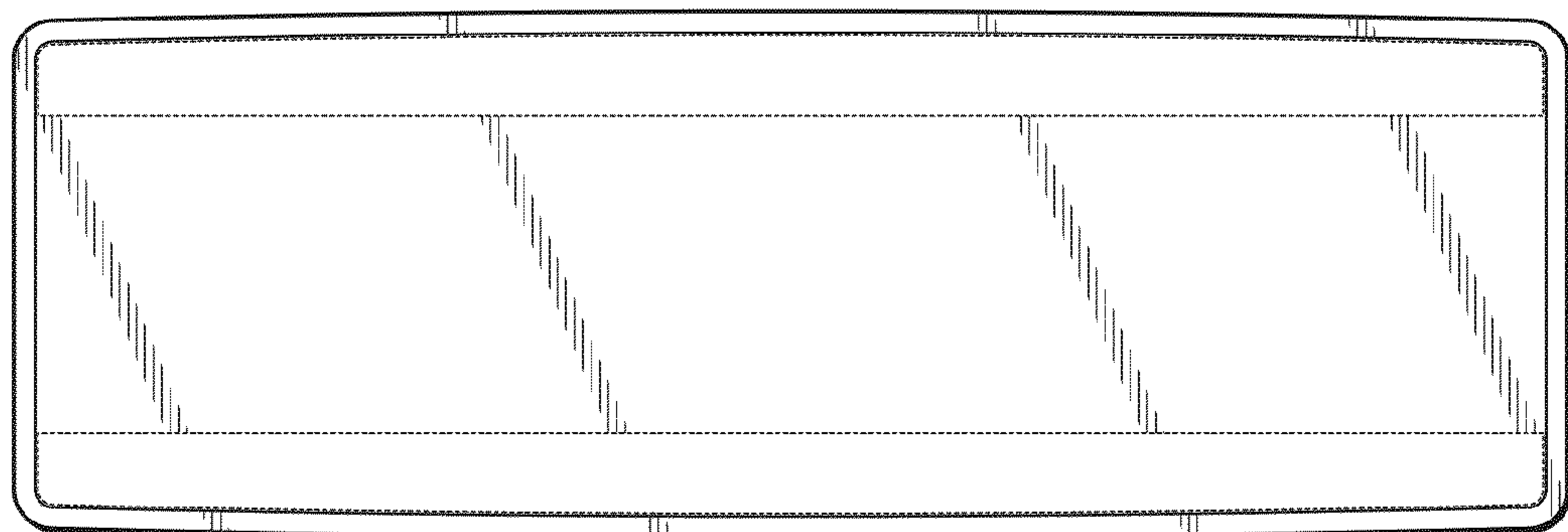


FIG. 4

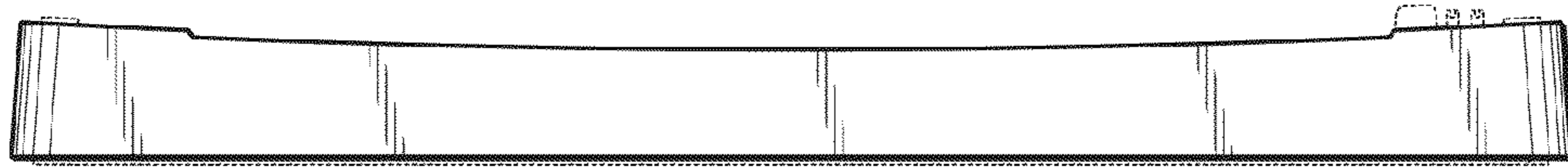


FIG. 5

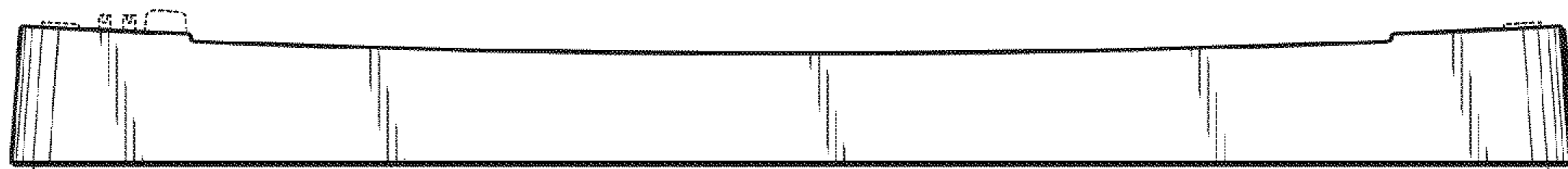


FIG. 6

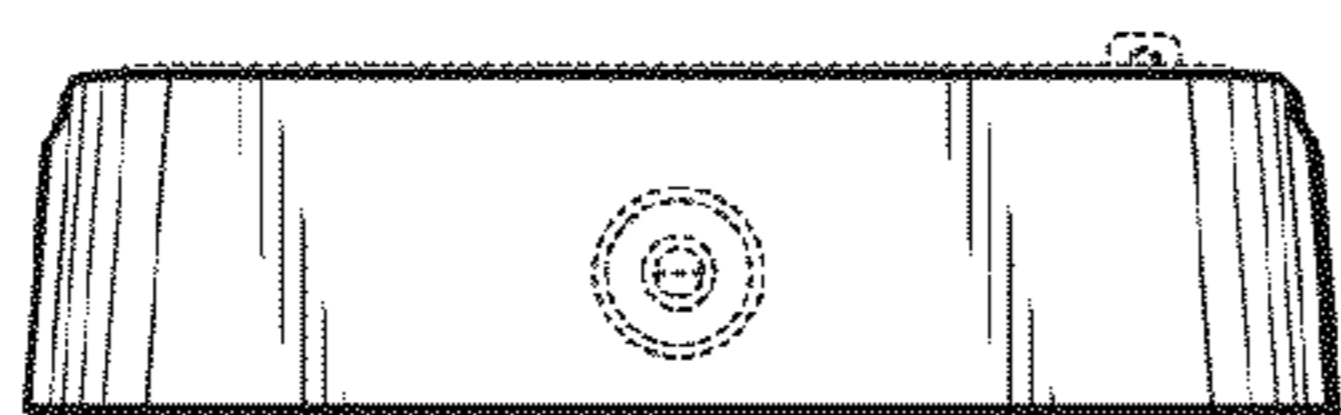


FIG. 7



FIG. 8