



US00D730358S

(12) **United States Design Patent**
Liu

(10) **Patent No.:** **US D730,358 S**

(45) **Date of Patent:** **** May 26, 2015**

(54) **CONNECTING PORT STAND**

(56) **References Cited**

(71) Applicant: **KAIJET TECHNOLOGY INTERNATIONAL LIMITED**, New Taipei (TW)

U.S. PATENT DOCUMENTS

(72) Inventor: **Yu-Chia Liu**, New Taipei (TW)

D439,538 S *	3/2001	Lynch	D10/106.2
D576,156 S *	9/2008	Wilson et al.	D14/225
D682,835 S *	5/2013	Daniel	D14/433
D694,243 S *	11/2013	Akana et al.	D14/433
D705,189 S *	5/2014	Chovin et al.	D14/159
D707,680 S *	6/2014	Akana et al.	D14/433
D707,681 S *	6/2014	Akana et al.	D14/433
D709,892 S *	7/2014	Lui	D14/433
D711,383 S *	8/2014	Lam et al.	D14/433
D711,884 S *	8/2014	Turksu et al.	D14/433
D716,309 S *	10/2014	Krenkler	D14/433
8,930,607 B2 *	1/2015	Liu	710/305

(73) Assignee: **KAIJET TECHNOLOGY INTERNATIONAL LIMITED**, New Taipei (TW)

(**) Term: **14 Years**

* cited by examiner

(21) Appl. No.: **29/494,981**

Primary Examiner — Austin Murphy

(22) Filed: **Jun. 25, 2014**

(74) *Attorney, Agent, or Firm* — Cheng-Ju Chiang

(30) **Foreign Application Priority Data**

(57) **CLAIM**

May 16, 2014 (TW) 103302925

The ornamental design for a connecting port stand, as shown and described.

(51) **LOC (10) Cl.** **14-02**

DESCRIPTION

(52) **U.S. Cl.**

FIG. 1 is a perspective view of a connecting port stand showing my new design;
FIG. 2 is a front elevational view thereof;
FIG. 3 is a rear elevational view thereof;
FIG. 4 is a left side elevational view thereof;
FIG. 5 is a right side elevational view thereof;
FIG. 6 is a top plan view thereof; and,
FIG. 7 is a bottom plan view thereof.
The broken line portion of the figure drawings is included to show unclaimed subject matter only and forms no part of the claimed design.

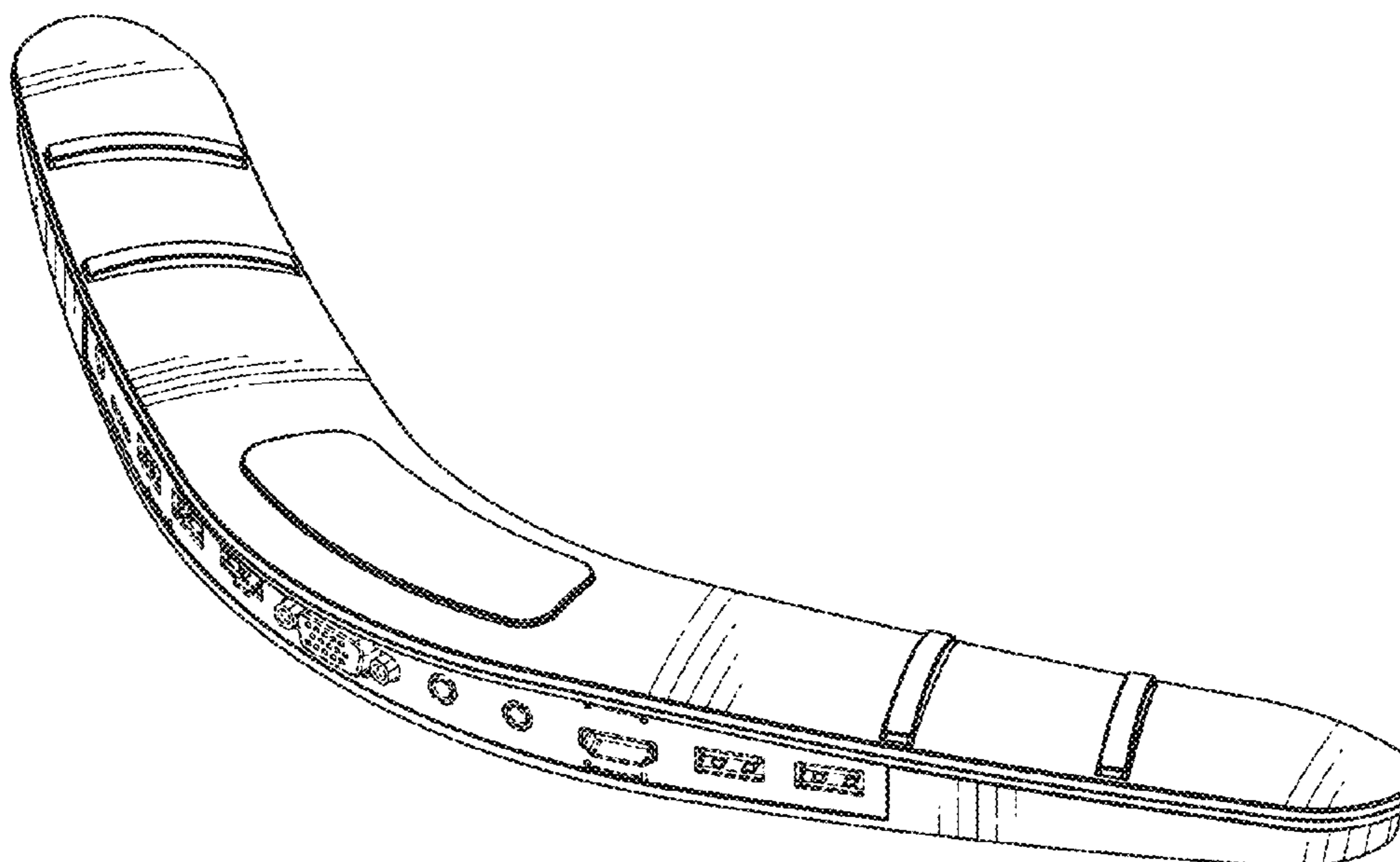
USPC **D14/433**

(58) **Field of Classification Search**

USPC D14/356, 432-434, 453, 454, 511, D14/203.8, 209.1, 238.1, 240, 125; 439/638, 928, 105, 502; 710/303, 304; 361/679.41, 679.55, 679.56; D13/110, D13/133, 146

See application file for complete search history.

1 Claim, 7 Drawing Sheets



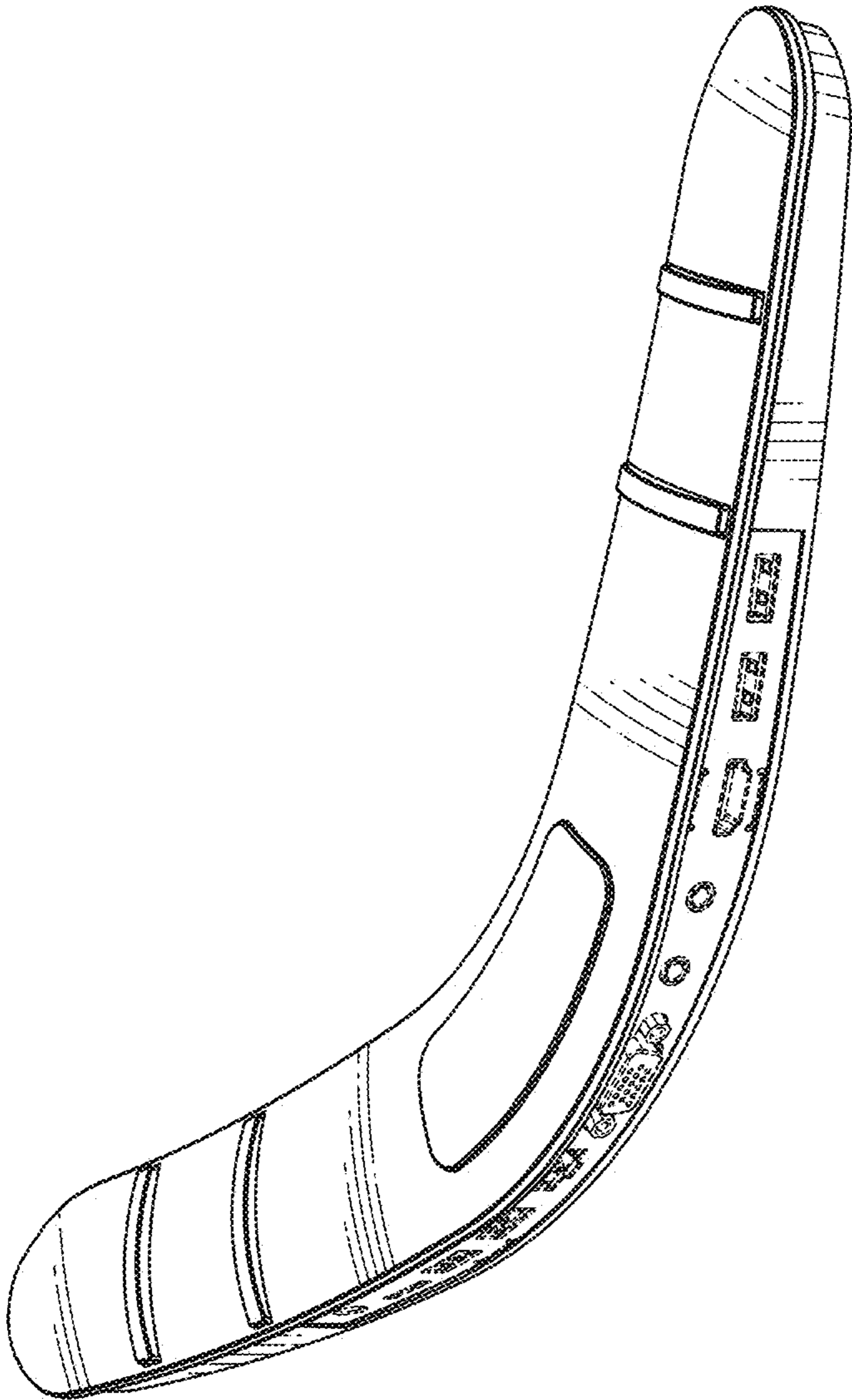


FIG. 1

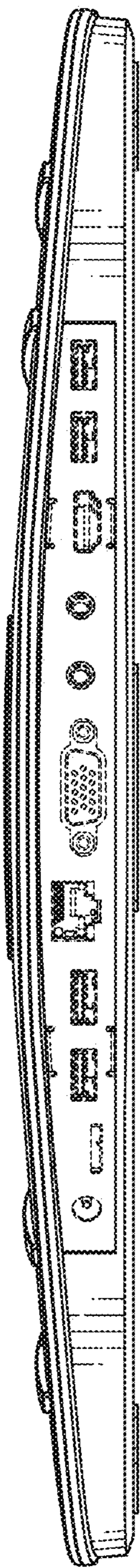


FIG. 2

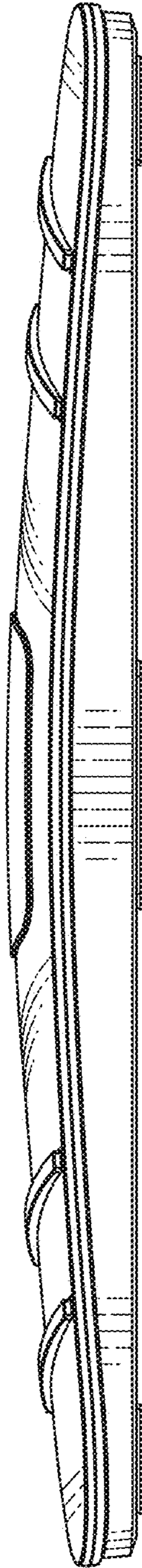


FIG. 3

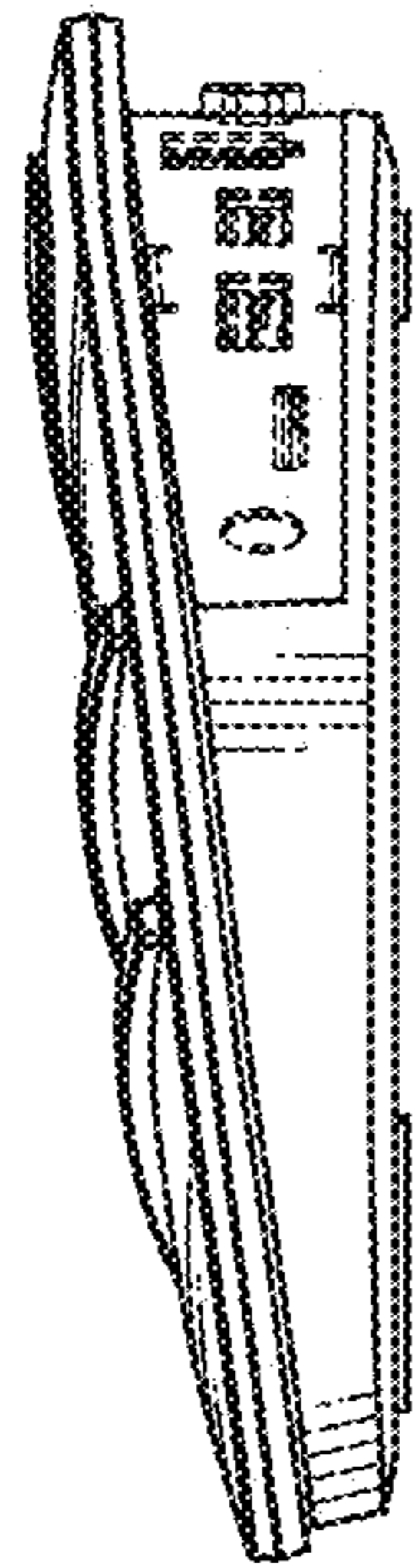


FIG. 4

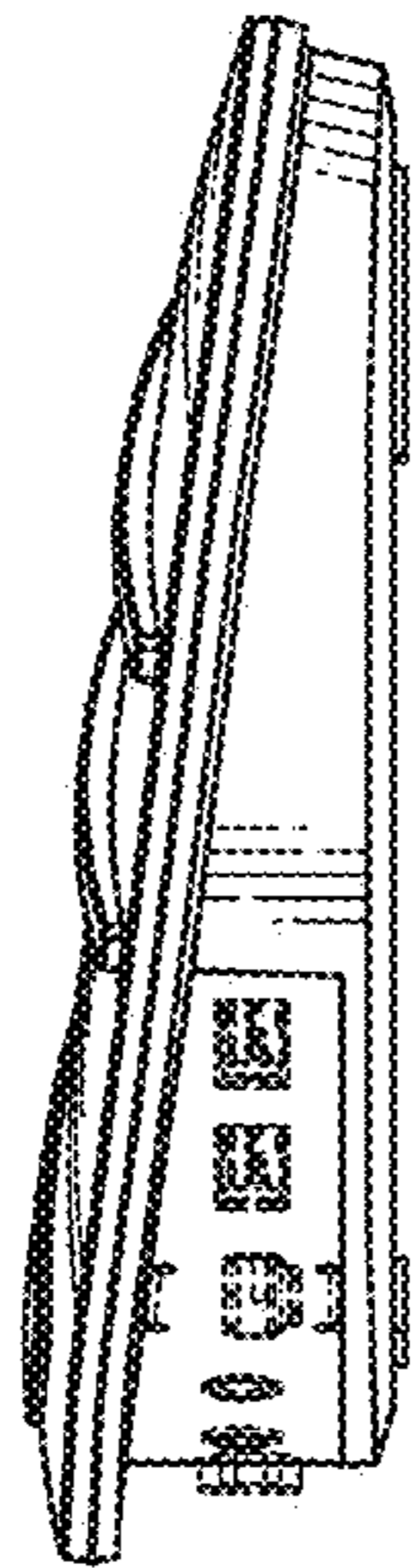


FIG. 5

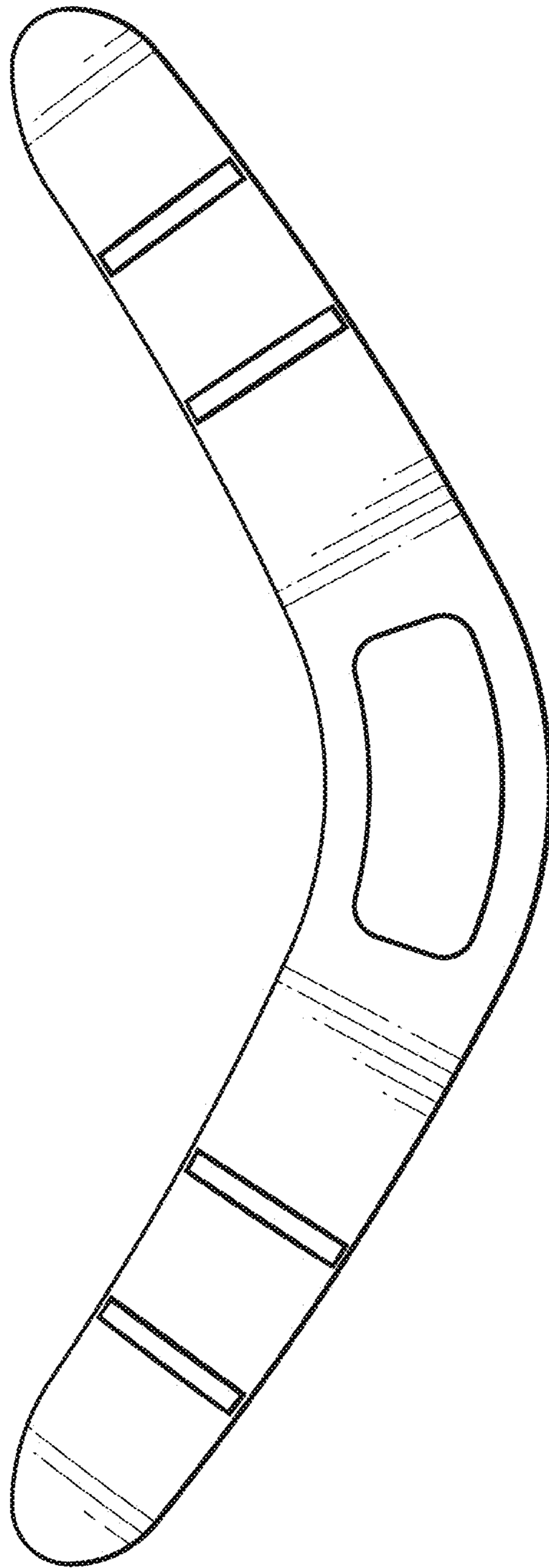


FIG. 6

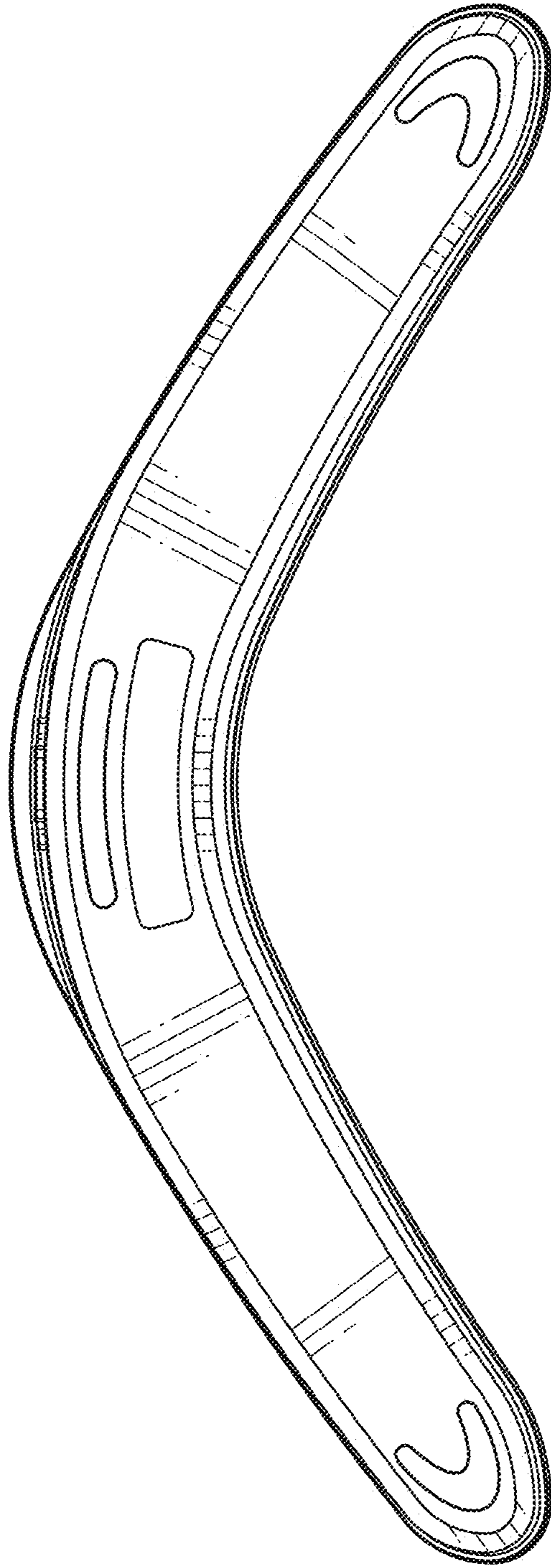


FIG. 7