



US00D730356S

(12) **United States Design Patent**  
**Sato et al.**

(10) **Patent No.:** **US D730,356 S**  
(45) **Date of Patent:** **\*\* May 26, 2015**

(54) **SCANNER**

(71) Applicants: **Yukihiko Sato**, Nagoya (JP); **Jiro Suzuki**, Kariya (JP)

(72) Inventors: **Yukihiko Sato**, Nagoya (JP); **Jiro Suzuki**, Kariya (JP)

(73) Assignee: **Brother Industries, Ltd.**, Nagoya (JP)

(\*\*) Term: **14 Years**

(21) Appl. No.: **29/464,391**

(22) Filed: **Aug. 15, 2013**

(30) **Foreign Application Priority Data**

Feb. 15, 2013 (JP) ..... 2013-3000

(51) **LOC (10) Cl.** ..... **14-02**

(52) **U.S. Cl.**

USPC ..... **D14/421**

(58) **Field of Classification Search**

CPC ..... H04N 1/00; H04N 1/12; H04N 1/00013;  
H04N 1/00015; H04N 1/00018; H04N  
1/00026; H04N 1/00557; H04N 1/00564;  
H04N 1/00567; H04N 1/0057; H04N 1/00572;  
H04N 1/00586; H04N 1/00588; H04N  
1/00591; H04N 1/00594; H04N 1/00596;  
H04N 1/00604; H04N 1/00519; H04N  
1/00559; H04N 1/1013; H04N 1/10; H04N  
1/00551; H04N 1/00278; H04N 2201/0456;  
H04N 2201/0446; H04N 2201/00; H04N  
2201/0094; G03G 15/0142; G03G 15/605;  
G03G 15/602; B65H 5/26; B65H 5/30;  
B65H 5/36; B65H 7/00; B65H 2402/515;  
B65H 2402/31; B65H 2511/20; B65H  
2511/414; B65H 2513/42; B65H 2801/39;  
B65H 2801/31; B65H 2215/00189; B65H  
2215/00194; B65H 2215/00198; B65H  
2215/00202; B65H 2215/00206; B65H  
2215/20; B65H 2301/00; B65H 2220/04;  
B65H 3/5261

USPC ..... D14/421-425; D18/55, 49, 46, 40,  
D18/36-39, 41, 44, 45, 47, 48, 50-54, 56;  
235/462, 455, 470, 462.43, 482, 483;  
358/474, 486, 488, 496, 497, 498, 452,  
358/449, 451, 453, 1.13; 318/685, 696;

355/81, 75; 399/405, 367, 379, 380;  
382/217; 715/209, 222, 226, 274;  
400/613, 613.1-613.4, 690.1-690.4,  
400/691-694

See application file for complete search history.

(56) **References Cited**

U.S. PATENT DOCUMENTS

D194,815	S	*	3/1963	Graves	.....	D18/36
3,155,031	A	*	11/1964	Ingves et al.	.....	101/19
D227,034	S	*	5/1973	Derby et al.	.....	D18/49
D234,005	S	*	12/1974	Yagi et al.	.....	D18/49
D263,962	S	*	4/1982	Kurozumi	.....	D18/49
D265,655	S	*	8/1982	Goto	.....	D18/38
D272,830	S	*	2/1984	Hara et al.	.....	D18/49
D276,238	S	*	11/1984	Kosako et al.	.....	D18/49
D278,347	S	*	4/1985	Kawazu	.....	D18/49
D279,783	S	*	7/1985	Jordan et al.	.....	D18/55
D280,906	S	*	10/1985	Imada	.....	D18/37

(Continued)

FOREIGN PATENT DOCUMENTS

JP A-2013-86502 5/2013

*Primary Examiner* — Susan Moon Lee

(74) *Attorney, Agent, or Firm* — Oliff PLC

(57) **CLAIM**

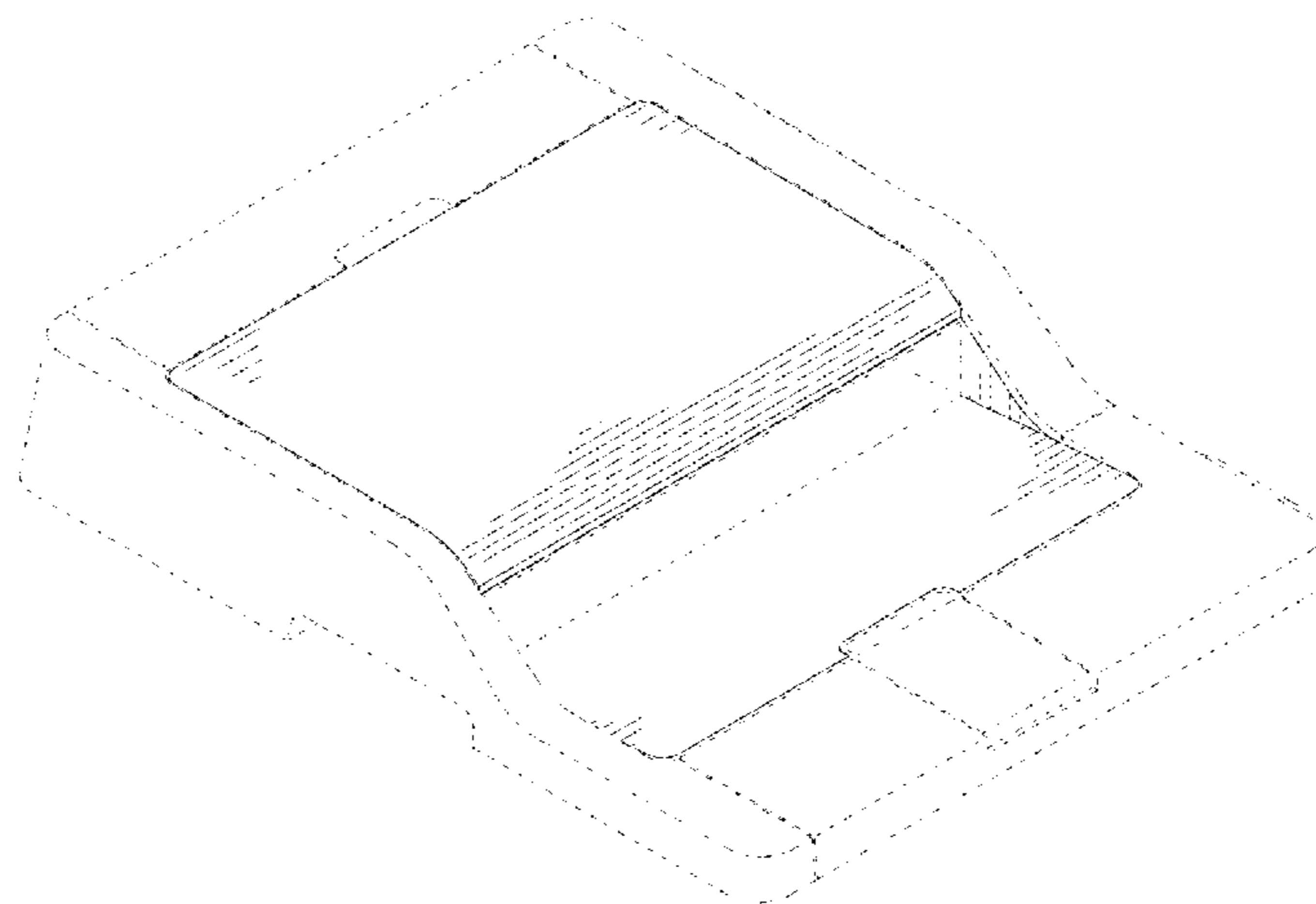
The ornamental design for a scanner, as shown and described.

**DESCRIPTION**

FIG. 1 is a perspective view of a scanner;  
FIG. 2 is a front view thereof;  
FIG. 3 is a top view thereof;  
FIG. 4 is a right-side view thereof; and,  
FIG. 5 is a rear view thereof.

Broken lines and entirely unshaded portions contained within broken line are not claimed. The left-side view and bottom view include environmental subject matter only and form no part of the claimed design. Thus, these views are not illustrated.

**1 Claim, 3 Drawing Sheets**





(56)

## References Cited

## U.S. PATENT DOCUMENTS

D282,667	S	*	2/1986	Hara et al.	.....	D18/49
D283,625	S	*	4/1986	Goto	.....	D18/49
4,674,735	A	*	6/1987	DuBois et al.	.....	271/10.13
D295,185	S	*	4/1988	Tokuda	.....	D18/49
D298,948	S	*	12/1988	Ishii et al.	.....	D18/49
D299,833	S	*	2/1989	Hirata	.....	D18/49
D303,547	S	*	9/1989	Katada	.....	D18/49
D310,238	S	*	8/1990	Hirata	.....	D18/49
D310,239	S	*	8/1990	Hirata	.....	D18/49
4,955,595	A	*	9/1990	Kawano et al.	.....	271/9.09
D311,755	S	*	10/1990	Aoyama et al.	.....	D18/49
D314,789	S	*	2/1991	Hirata et al.	.....	D18/49
D316,268	S	*	4/1991	Miyajima et al.	.....	D18/49
D319,072	S	*	8/1991	Tanizawa et al.	.....	D18/49
D322,626	S	*	12/1991	Imai	.....	D18/49
D324,536	S	*	3/1992	Isomoto et al.	.....	D18/49
D326,867	S	*	6/1992	Kwak	.....	D18/55
D328,758	S	*	8/1992	Isomoto	.....	D18/49
D329,869	S	*	9/1992	Suzuki	.....	D18/49
D337,605	S	*	7/1993	Tashiro et al.	.....	D18/49
D337,606	S	*	7/1993	Khovaylo	.....	D18/49
D344,095	S	*	2/1994	Isomoto et al.	.....	D18/49
D350,769	S	*	9/1994	Hattori et al.	.....	D18/49
D354,078	S	*	1/1995	Hiroki	.....	D18/49
D354,307	S	*	1/1995	Yamamoto	.....	D18/49
D367,495	S	*	2/1996	Chen et al.	.....	D18/49
D374,457	S	*	10/1996	Naruki	.....	D18/49
D384,693	S	*	10/1997	Kenmochi et al.	.....	D18/49
D403,696	S	*	1/1999	Kobayashi et al.	.....	D18/40
D403,698	S	*	1/1999	Kobayashi et al.	.....	D18/49
D404,421	S	*	1/1999	Takeuchi	.....	D18/49
D405,110	S	*	2/1999	Yamamoto et al.	.....	D18/54
D421,043	S	*	2/2000	Shibata et al.	.....	D18/39
D421,622	S	*	3/2000	Khovaylo et al.	.....	D18/49
D430,595	S	*	9/2000	Khovaylo et al.	.....	D18/49
D435,859	S	*	1/2001	Khovaylo et al.	.....	D18/49
D436,122	S	*	1/2001	Isomoto	.....	D18/49
D436,369	S	*	1/2001	Sasaki et al.	.....	D18/39
D437,348	S	*	2/2001	Hirose et al.	.....	D18/55
D437,878	S	*	2/2001	Nakada et al.	.....	D18/40
D449,063	S	*	10/2001	Khovaylo et al.	.....	D18/49
D453,785	S	*	2/2002	Grossmann	.....	D18/48
D465,801	S	*	11/2002	Falk et al.	.....	D18/39
D472,266	S	*	3/2003	Khovaylo et al.	.....	D18/49
D478,082	S	*	8/2003	Khovaylo et al.	.....	D14/425
D483,401	S	*	12/2003	LaBarbera	.....	D18/53
D483,402	S	*	12/2003	LaBarbera et al.	.....	D18/53
D494,211	S	*	8/2004	Yoshida et al.	.....	D18/39
D497,942	S	*	11/2004	Yoshida et al.	.....	D18/53
D497,943	S	*	11/2004	LaBarbera	.....	D18/53
D502,210	S	*	2/2005	Katori et al.	.....	D18/39
D515,131	S	*	2/2006	Hwang et al.	.....	D18/55
D516,081	S	*	2/2006	Takimoto	.....	D14/463
D528,154	S	*	9/2006	Hattori	.....	D18/54
D528,155	S	*	9/2006	Katayama	.....	D18/55
D531,175	S	*	10/2006	Moskaluk et al.	.....	D14/300
D532,043	S	*	11/2006	Park et al.	.....	D18/50
D532,449	S	*	11/2006	Wong et al.	.....	D18/55
D532,450	S	*	11/2006	Smith et al.	.....	D18/55
D532,451	S	*	11/2006	Ito et al.	.....	D18/55
D534,578	S	*	1/2007	Katayama et al.	.....	D18/55
D539,839	S	*	4/2007	Brinkly et al.	.....	D18/49
D544,532	S	*	6/2007	Matsumoto et al.	.....	D18/50
D550,768	S	*	9/2007	Hoshiya et al.	.....	D18/55
D551,700	S	*	9/2007	Park et al.	.....	D18/55
D555,194	S	*	11/2007	Smith et al.	.....	D18/55
D555,195	S	*	11/2007	Park et al.	.....	D18/55
D556,256	S	*	11/2007	Matsumoto	.....	D18/55
D558,823	S	*	1/2008	Alfonso et al.	.....	D18/55
D558,824	S	*	1/2008	Alfonso et al.	.....	D18/55
D559,897	S	*	1/2008	Suzuki et al.	.....	D18/49
D559,898	S	*	1/2008	Suzuki et al.	.....	D18/49
D561,248	S	*	2/2008	Lee et al.	.....	D18/50
D561,250	S	*	2/2008	Smith et al.	.....	D18/55
D561,251	S	*	2/2008	Wong et al.	.....	D18/55
D564,018	S	*	3/2008	Ishii et al.	.....	D18/49
7,338,043	B2	*	3/2008	Sorenson et al.	.....	271/162
D573,633	S	*	7/2008	Laidlaw et al.	.....	D18/55
D574,886	S	*	8/2008	Mase et al.	.....	D18/55
D575,330	S	*	8/2008	Egami et al.	.....	D18/55
D576,201	S	*	9/2008	Yamagata et al.	.....	D18/49
D576,203	S	*	9/2008	Laidlaw et al.	.....	D18/55
D578,568	S	*	10/2008	Chiba et al.	.....	D18/50
D579,490	S	*	10/2008	Laidlaw et al.	.....	D18/55
D579,973	S	*	11/2008	Park et al.	.....	D18/55
D580,483	S	*	11/2008	Park et al.	.....	D18/39
D581,976	S	*	12/2008	Park et al.	.....	D18/55
D584,766	S	*	1/2009	Tani	.....	D18/55
D591,302	S	*	4/2009	Yagi et al.	.....	D14/421
D600,277	S	*	9/2009	Hisatsune	.....	D18/55
D605,222	S	*	12/2009	Yoshioka et al.	.....	D18/55
D606,115	S	*	12/2009	Sato	.....	D18/55
D607,505	S	*	1/2010	Sasaki et al.	.....	D18/55
D609,270	S	*	2/2010	Kato et al.	.....	D18/55
D611,091	S	*	3/2010	Ishikawa et al.	.....	D18/55
D613,791	S	*	4/2010	Yoshioka et al.	.....	D18/55
D613,792	S	*	4/2010	Suzuki et al.	.....	D18/55
D614,235	S	*	4/2010	Nakata	.....	D18/55
D614,693	S	*	4/2010	Kato et al.	.....	D18/50
D619,645	S	*	7/2010	Sato	.....	D18/49
D619,646	S	*	7/2010	Brown et al.	.....	D18/49
D620,046	S	*	7/2010	Brinkly	.....	D18/49
D621,443	S	*	8/2010	Nishiguchi	.....	D18/53
D626,588	S	*	11/2010	Kim et al.	.....	D18/39
D633,556	S	*	3/2011	Park et al.	.....	D18/55
D634,360	S	*	3/2011	Brown et al.	.....	D18/55
D639,849	S	*	6/2011	Sato et al.	.....	D18/50
D639,851	S	*	6/2011	Penke et al.	.....	D18/55
7,970,337	B2	*	6/2011	Uchida et al.	.....	399/367
D641,778	S	*	7/2011	Lee et al.	.....	D18/55
D642,212	S	*	7/2011	Terenzio et al.	.....	D18/55
D643,464	S	*	8/2011	Sato et al.	.....	D18/55
D645,896	S	*	9/2011	Iwai et al.	.....	D18/50
D647,133	S	*	10/2011	Sato et al.	.....	D18/55
D647,958	S	*	11/2011	Yoshioka et al.	.....	D18/50
D648,376	S	*	11/2011	Asano et al.	.....	D18/50
D649,183	S	*	11/2011	Miyauchi et al.	.....	D18/50
D661,345	S	*	6/2012	Asano et al.	.....	D18/50
D661,728	S	*	6/2012	Suzuki et al.	.....	D18/50
D662,130	S	*	6/2012	Kitazawa et al.	.....	D18/50
D662,974	S	*	7/2012	Suzuki et al.	.....	D18/55
D665,013	S	*	8/2012	Ishikawa et al.	.....	D18/50
D666,239	S	*	8/2012	Larson et al.	.....	D18/55
D667,035	S	*	9/2012	Rapp	.....	D15/145
D670,326	S	*	11/2012	Yoshida	.....	D18/55
D670,328	S	*	11/2012	Suzuki et al.	.....	D18/55
D673,213	S	*	12/2012	Kim et al.	.....	D18/55
D673,603	S	*	1/2013	Suzuki et al.	.....	D18/55
D674,011	S	*	1/2013	Sato	.....	D18/55
D674,435	S	*	1/2013	Inoue et al.	.....	D18/55
D676,483	S	*	2/2013	Kim et al.	.....	D18/50
D680,163	S	*	4/2013	Lim et al.	.....	D18/55
D680,581	S	*	4/2013	Nakata et al.	.....	D18/50
D681,721	S	*	5/2013	Iwai et al.	.....	D18/50
D681,722	S	*	5/2013	Seki et al.	.....	D18/50
D681,723	S	*	5/2013	Gilbert et al.	.....	D18/55
D681,726	S	*	5/2013	Yonekawa	.....	D18/55
D682,928	S	*	5/2013	Kim et al.	.....	D18/55
D683,394	S	*	5/2013	Suzuki et al.	.....	D18/50
D685,411	S	*	7/2013	Tanaka et al.	.....	D18/49
D685,412	S	*	7/2013	Jihoon et al.	.....	D18/50
D685,414	S	*	7/2013	Jeong et al.	.....	D18/53
D686,658	S	*	7/2013	Matsuno et al.	.....	D18/50
D686,659	S	*	7/2013	Tanaka et al.	.....	D18/55
D687,092	S	*	7/2013	Suzuki et al.	.....	D18/49
D687,093	S	*	7/2013	Klocke et al.	.....	D18/50
D688,742	S	*	8/2013	Kim et al.	.....	D18/55
D689,542	S	*	9/2013	Klocke et al.	.....	D18/50
D689,543	S	*	9/2013	Seki et al.	.....	D18/50
D691,570	S	*	10/2013	Fleischer et al.	.....	1/1
D692,477	S	*	10/2013	Kim et al.	.....	D18/53
D694,316	S	*	11/2013	Jihoon et al.	.....	D18/50
D695,339	S	*	12/2013	Fukasawa et al.	.....	D18/55
D697,550	S	*	1/2014	Nanno et al.	.....	D18/50

(56)

**References Cited**

U.S. PATENT DOCUMENTS

D697,966 S *	1/2014	Fukasawa et al. ....	D18/55	D702,760 S *	4/2014	Kim et al. ....	D18/55
D697,967 S *	1/2014	Fukasawa et al. ....	D18/55	D705,781 S *	5/2014	Yin et al. ....	D14/421
D698,389 S *	1/2014	Fukasawa et al. ....	D18/55	D714,861 S *	10/2014	Tsuruoka et al. ....	D18/50
D699,725 S *	2/2014	Sato et al. ....	D14/421	8,851,013 B2 *	10/2014	Tsengas ....	119/61.3
8,646,413 B2 *	2/2014	Padia ....	119/61.5	D718,383 S *	11/2014	Lo et al. ....	D18/55
D701,561 S *	3/2014	Jihoon et al. ....	D18/50	D720,754 S *	1/2015	Chin et al. ....	D14/422
				D721,131 S *	1/2015	Inada ....	D18/50
				2011/0157662 A1 *	6/2011	Kozaki ....	358/488
				2014/0151959 A1 *	6/2014	Oyamada et al. ....	271/264

\* cited by examiner

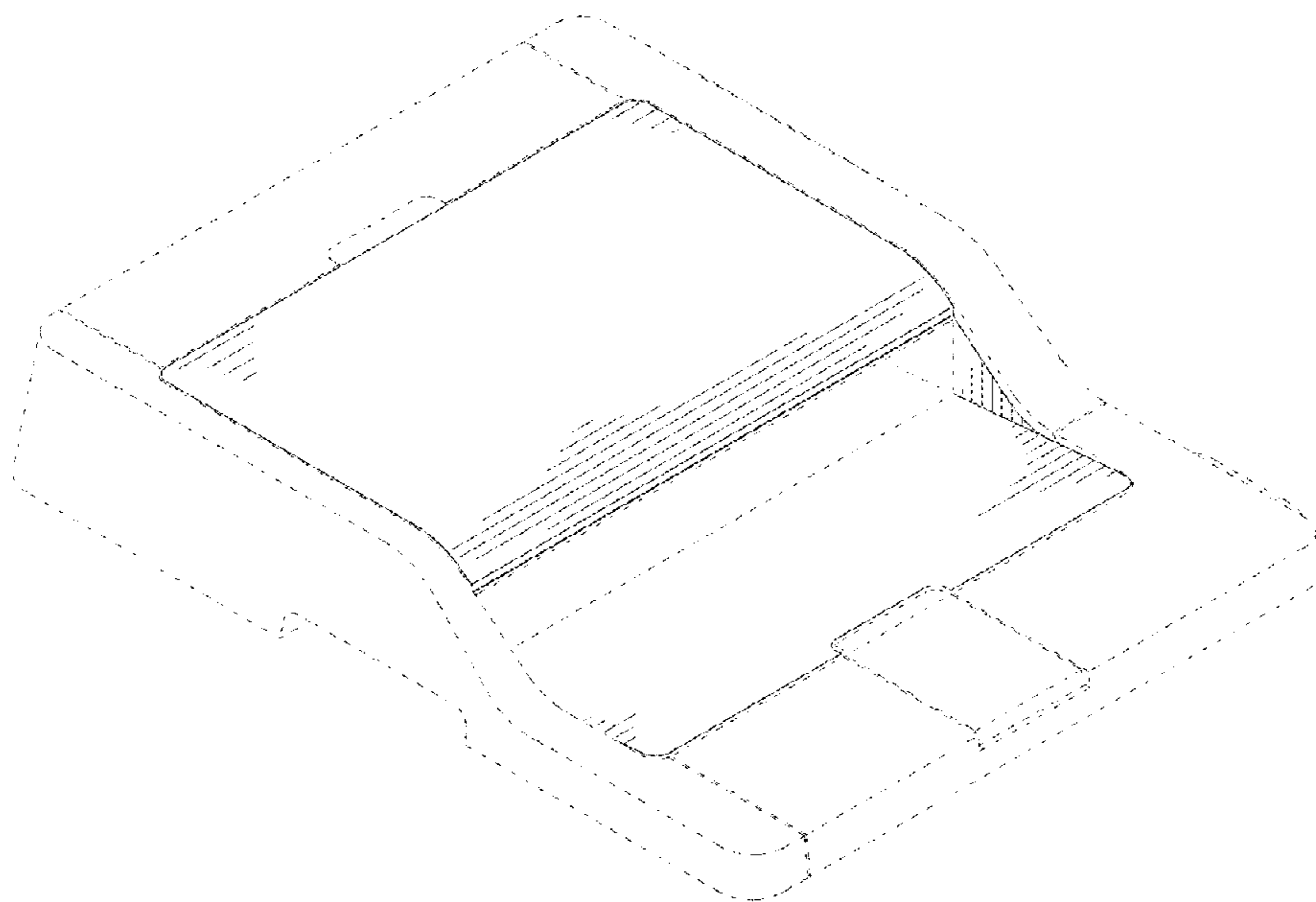


FIG. 1

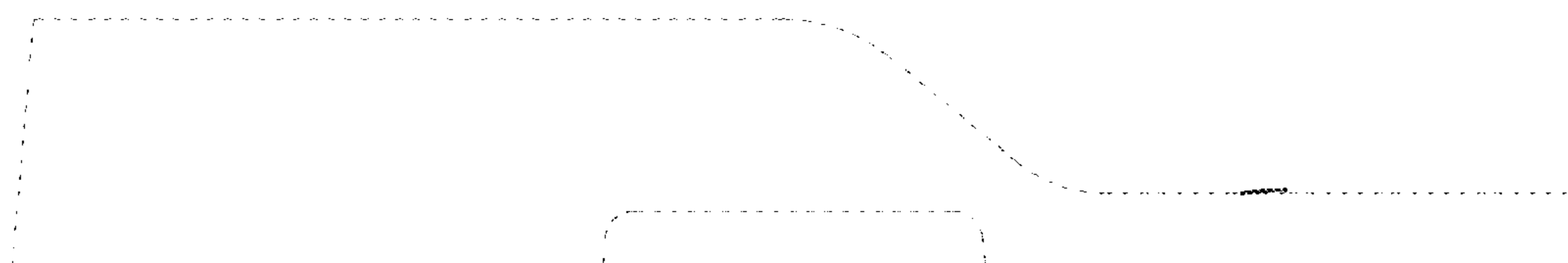


FIG. 2



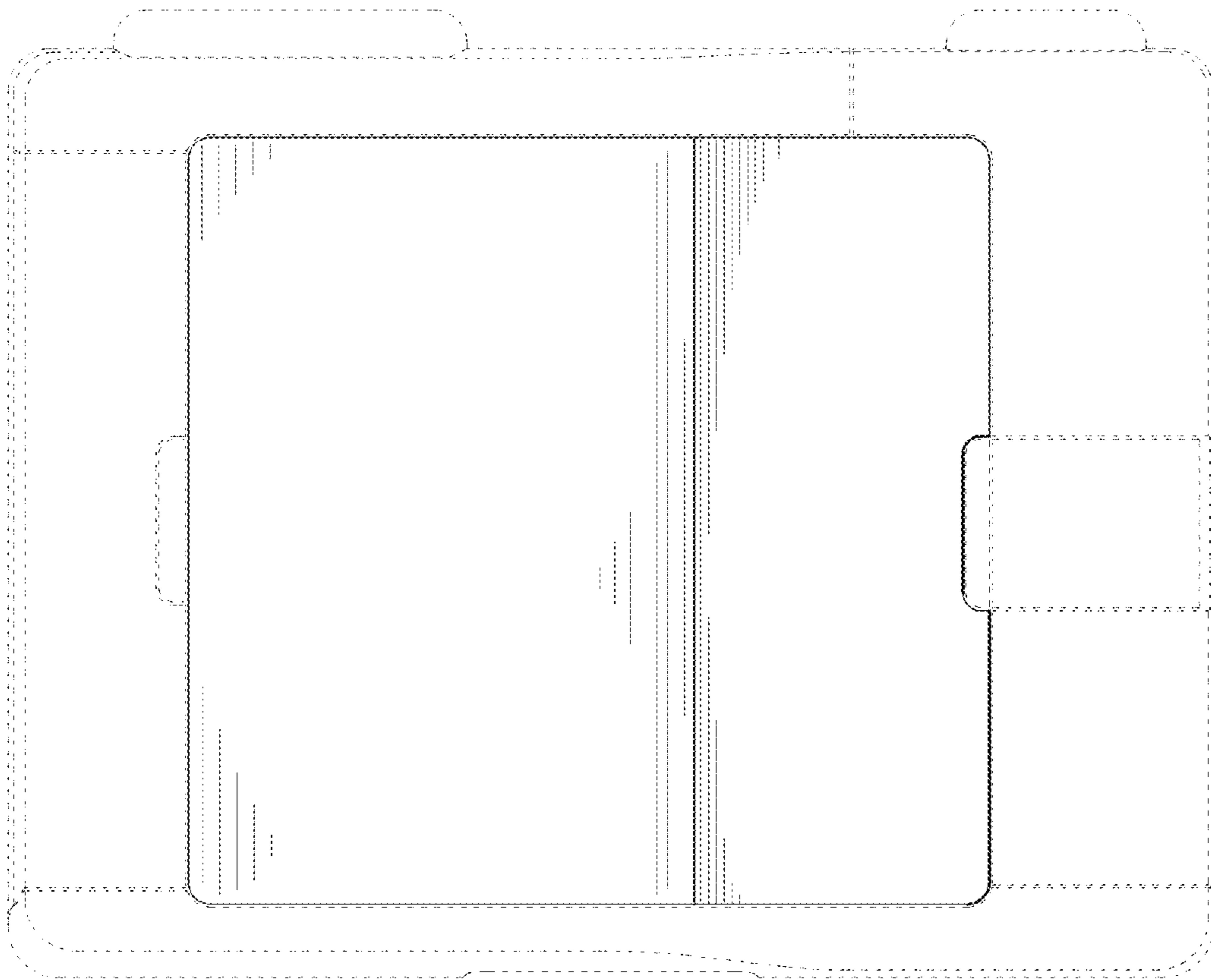


FIG. 3

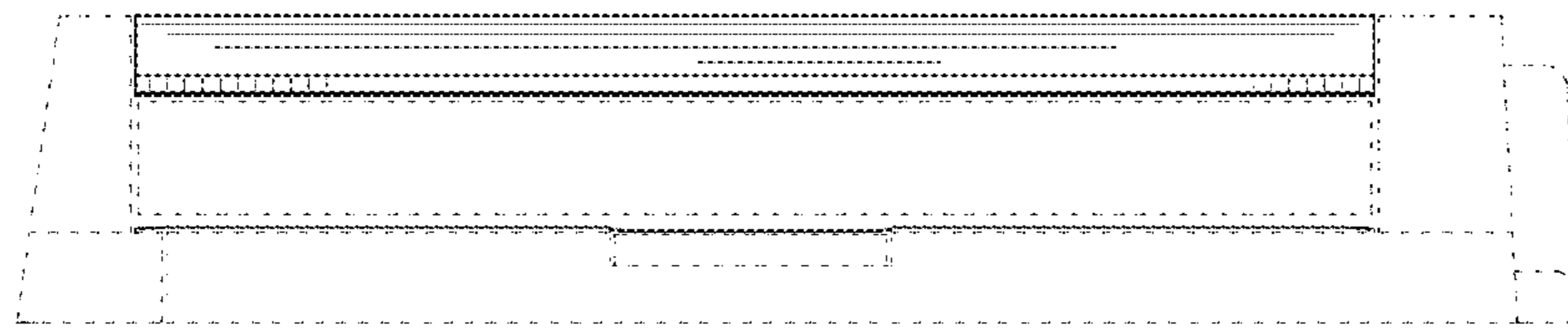


FIG. 4

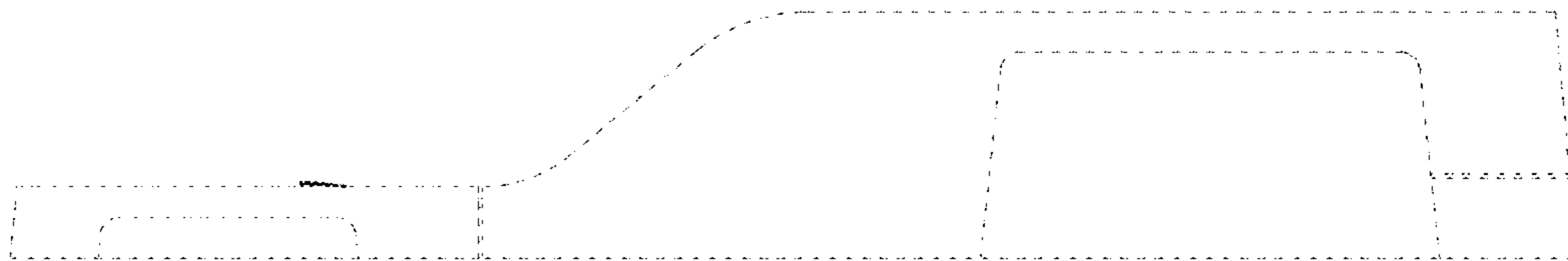


FIG. 5