



US00D730354S

(12) **United States Design Patent**  
**Daniel**

(10) **Patent No.:** **US D730,354 S**

(45) **Date of Patent:** **\*\* May 26, 2015**

(54) **ELECTRONIC CARD READER DEVICE WITH CAMERA AND DISPLAYING MEANS**

(71) Applicant: **Isaac S. Daniel**, Miramar, FL (US)

(72) Inventor: **Isaac S. Daniel**, Miramar, FL (US)

(\*\*) Term: **14 Years**

(21) Appl. No.: **29/445,602**

(22) Filed: **Feb. 13, 2013**

(51) **LOC (10) Cl.** ..... **14-02**

(52) **U.S. Cl.**  
USPC ..... **D14/385**

(58) **Field of Classification Search**  
USPC ..... D14/356–358, 383–385, 420, 426, 427,  
D14/432–439, 447, 453, 454, 217, 253,  
D14/299; D13/107, 108, 133, 146, 147,  
D13/152, 154, 156, 158, 162, 162.1, 168,  
D13/173, 177; 235/441, 451, 492, 380, 439,  
235/375; 361/679.31, 600, 679.01, 679.02  
See application file for complete search history.

(56) **References Cited**

**U.S. PATENT DOCUMENTS**

D351,152 S *	10/1994	Liu	.....	D14/385
D437,851 S *	2/2001	Kojima et al.	.....	D14/385
D447,482 S *	9/2001	Lin	.....	D14/435.1
6,522,552 B1 *	2/2003	Lee	.....	361/752
D489,069 S *	4/2004	Lin	.....	D14/435.1
D496,364 S *	9/2004	Saito	.....	D14/385
7,227,082 B2 *	6/2007	Caveney	.....	174/53
D546,326 S *	7/2007	Chen	.....	D14/480.5
D546,327 S *	7/2007	Chen	.....	D14/480.5
D566,044 S *	4/2008	D'Arco et al.	.....	D13/133
D580,438 S *	11/2008	Kuchler	.....	D14/385

7,479,041 B1 *	1/2009	Chen	.....	439/630
7,508,659 B2 *	3/2009	Mambakkam et al.	..	361/679.01
7,538,792 B2 *	5/2009	Takahashi	.....	348/207.1
D594,866 S *	6/2009	Lin	.....	D14/385
D628,576 S *	12/2010	Daniel	.....	D14/385
D646,273 S *	10/2011	Daniel	.....	D14/385

\* cited by examiner

*Primary Examiner* — Austin Murphy

(74) *Attorney, Agent, or Firm* — Carol N. Green Kaul, Esq.

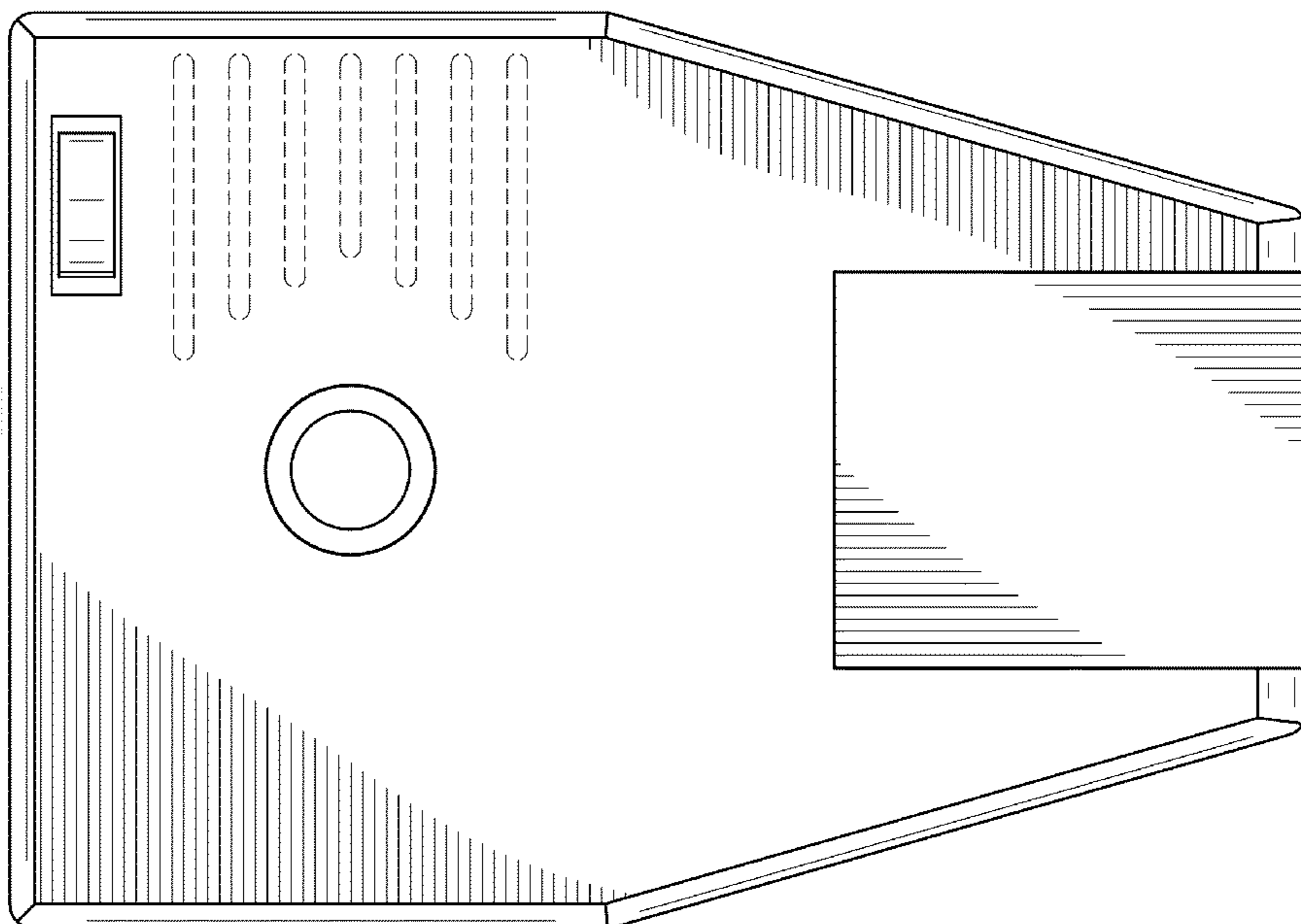
(57) **CLAIM**

The ornamental design for electronic card reader device with camera and displaying means, as shown and described.

**DESCRIPTION**

FIG. 1 is a top plan view of the electronic card reader device with camera and displaying means.  
 FIG. 2 is a bottom plan view of the electronic card reader device with camera and displaying means.  
 FIG. 3 is a right side elevation view of the electronic card reader device with camera and displaying means.  
 FIG. 4 is a left side elevation view of the electronic card reader device with camera and displaying means.  
 FIG. 5 is a front view of the electronic card reader device with camera and displaying means.  
 FIG. 6 is a rear view of the electronic card reader device with camera and displaying means.  
 FIG. 7 is a top front left perspective view of the electronic card reader device with camera and displaying means; and,  
 FIG. 8 is a bottom perspective view of the electronic card reader device with camera and displaying means.

**1 Claim, 6 Drawing Sheets**



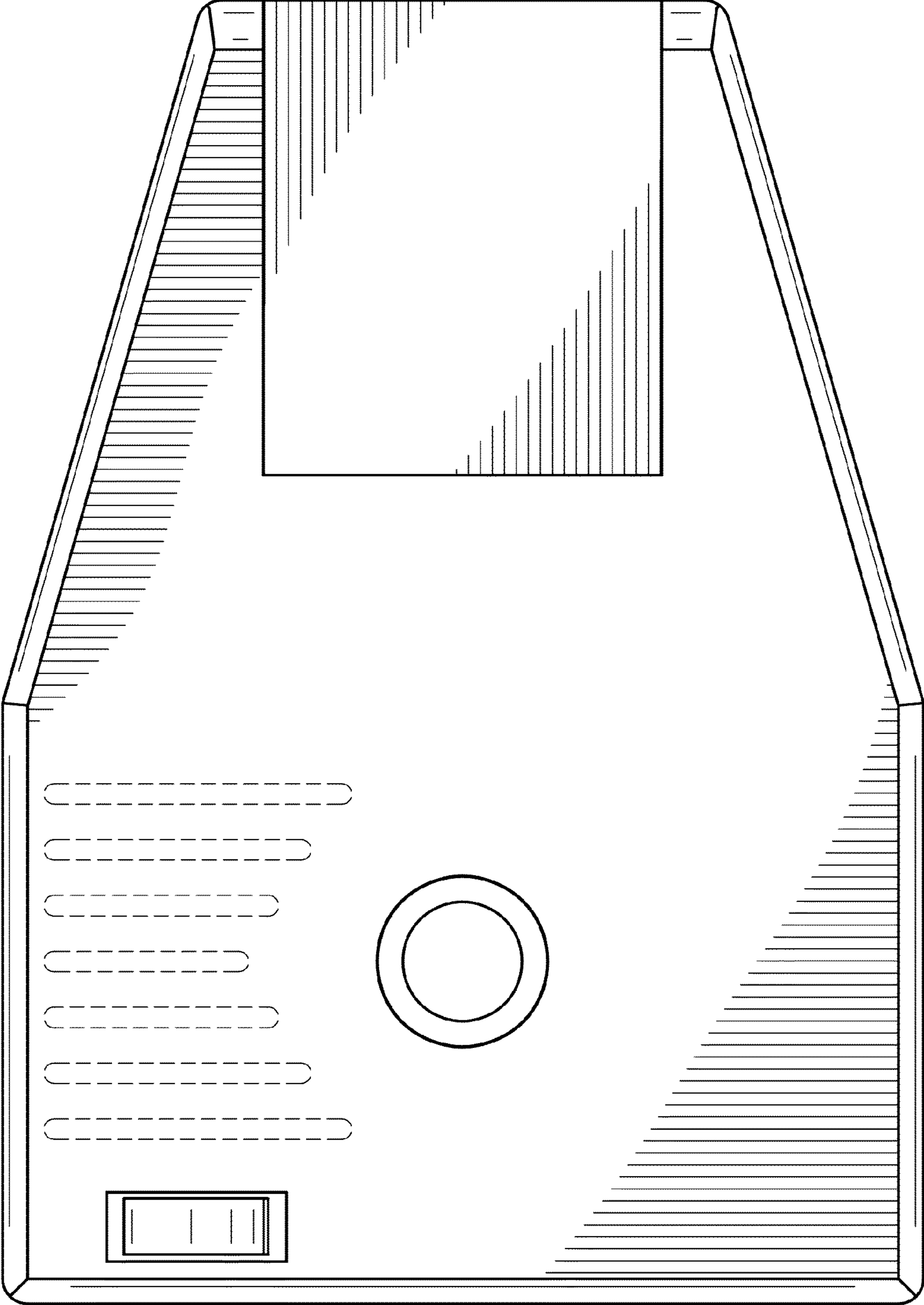


Fig 1

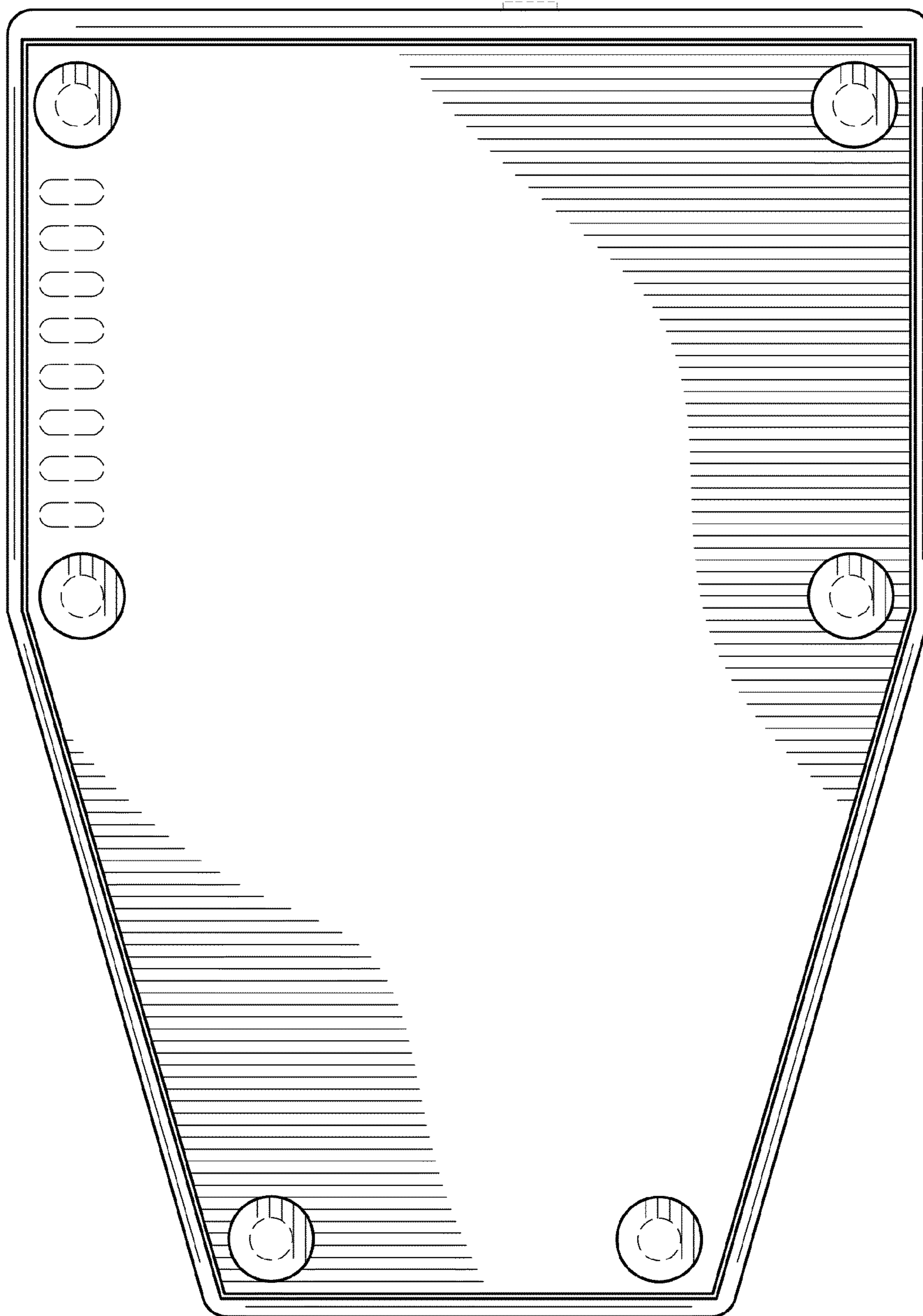


Fig 2

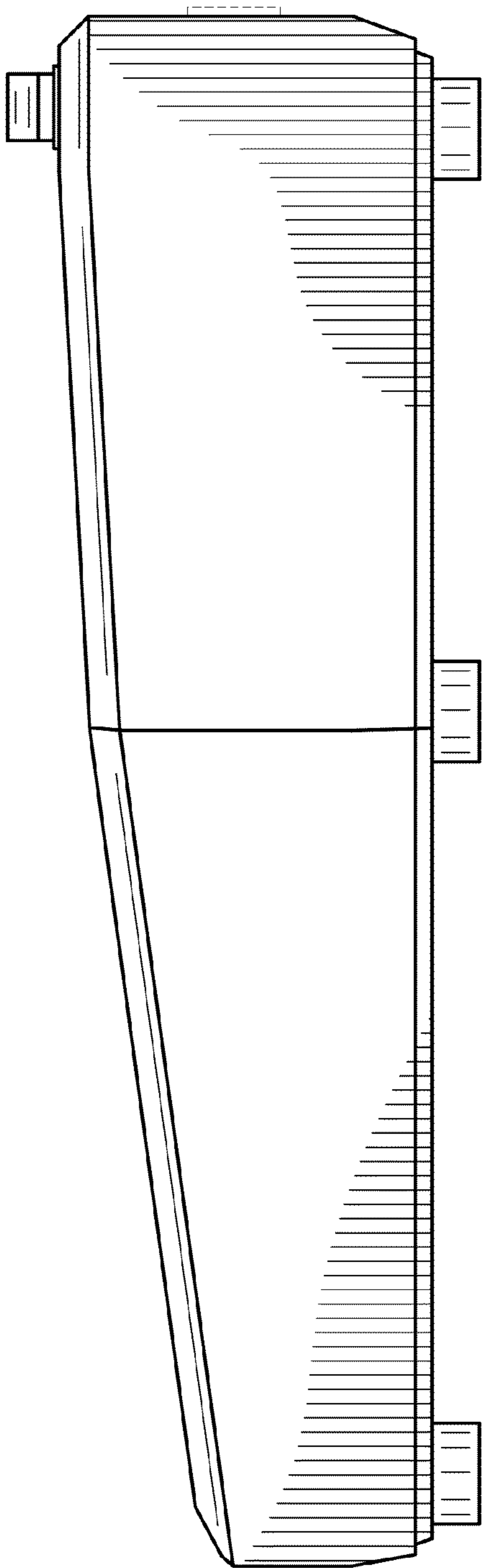


Fig 3

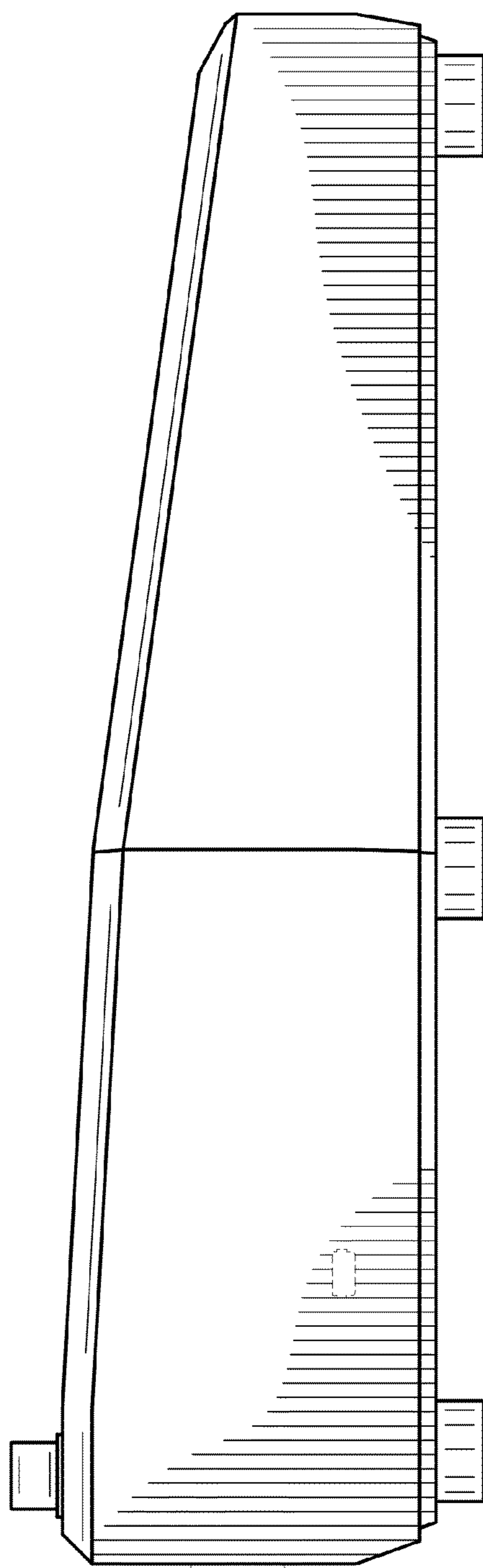


Fig 4

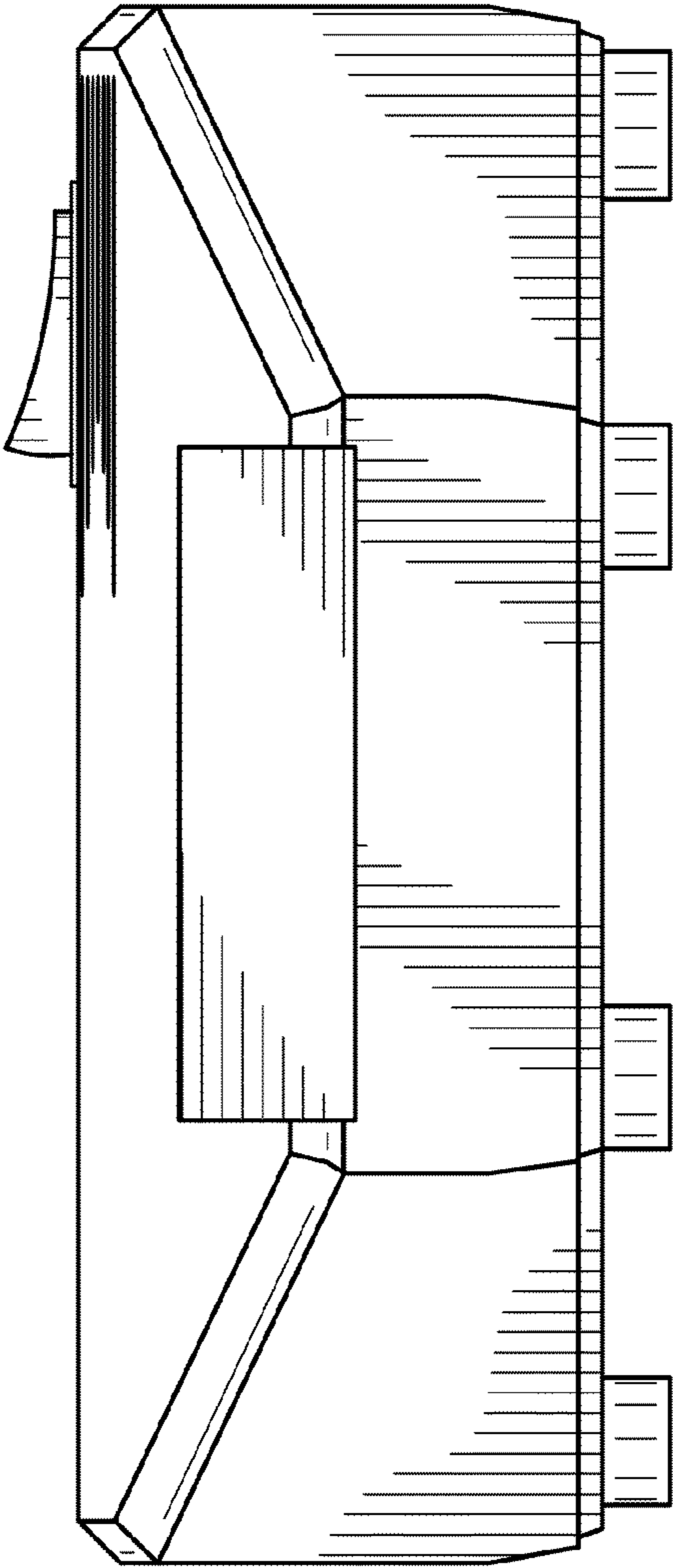


Fig 5

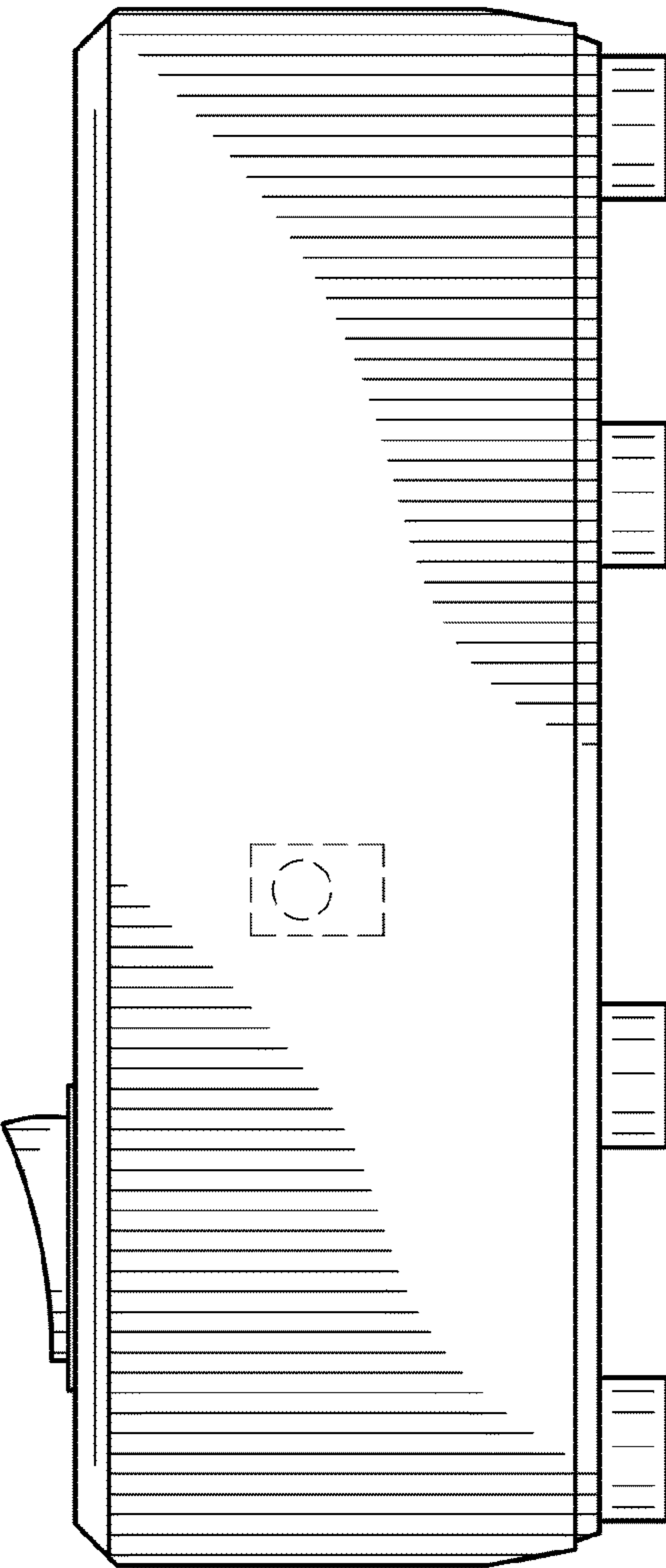


Fig 6

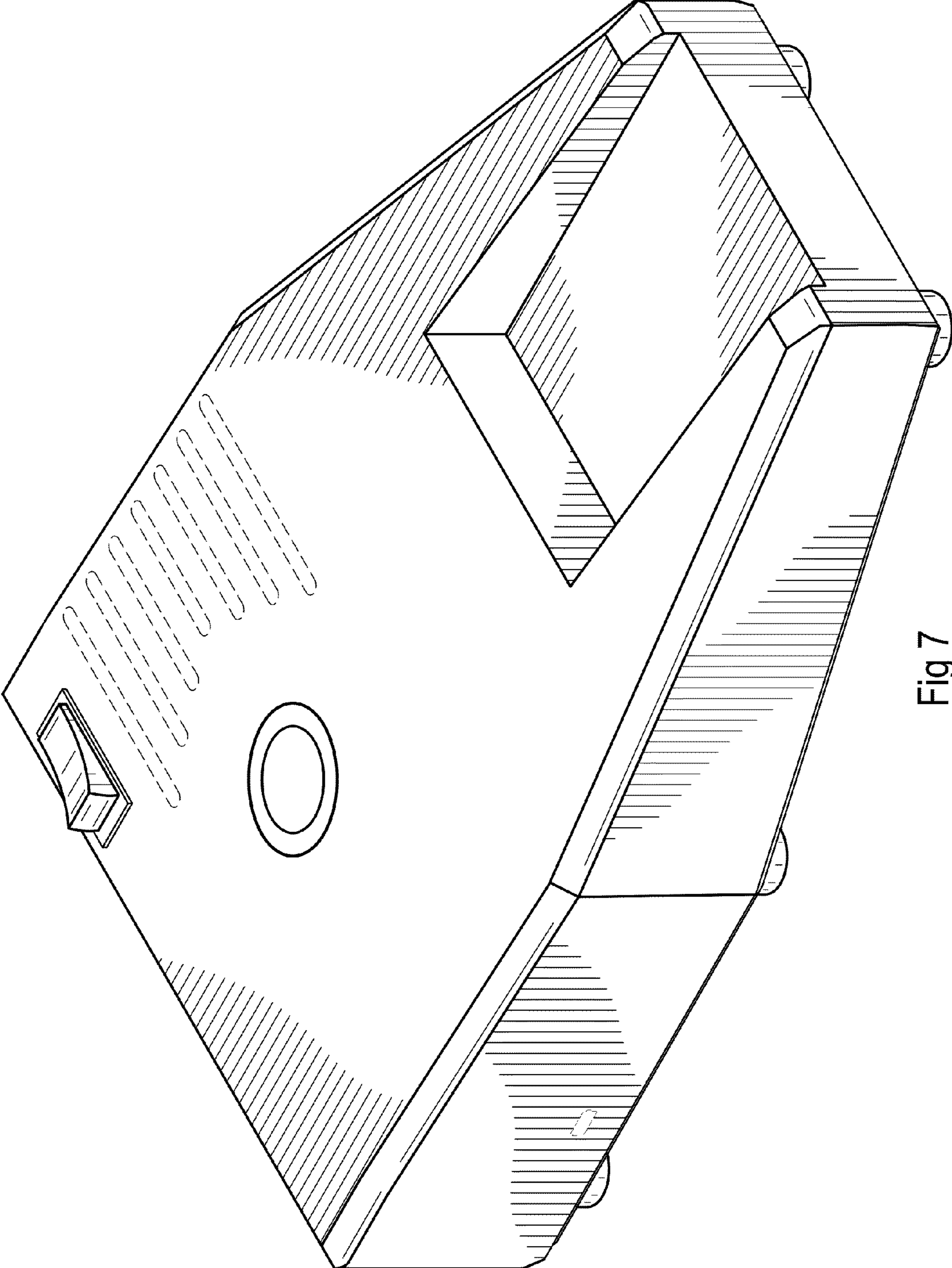


Fig 7

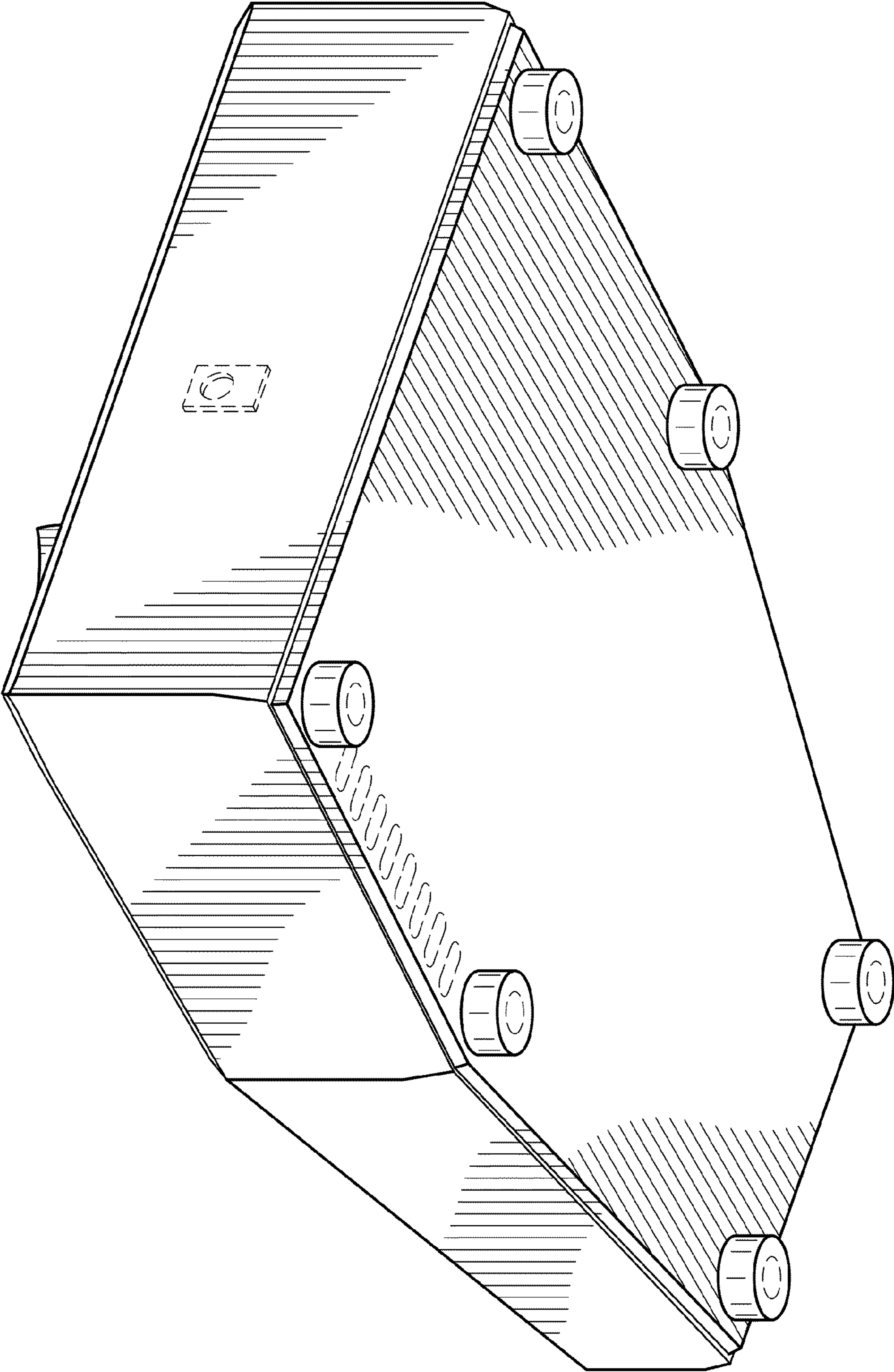


Fig 8