



US00D730353S

(12) **United States Design Patent**
Hwangbo et al.

(10) **Patent No.:** **US D730,353 S**

(45) **Date of Patent:** **** May 26, 2015**

(54) **DISPLAY SCREEN**

(71) Applicant: **Samsung Electronics Co., Ltd.**,
Suwon-Si, Gyeonggi-Do (KR)

(72) Inventors: **Hyung Ho Hwangbo**, Seoul (KR); **Nam Hyun Park**, Suwon-si (KR); **Hae Sung Park**, Seoul (KR); **Ri-Na Sin**, Seoul (KR); **Do Sung Jung**, Seoul (KR); **Christopher Edward Bangle**, Clavesana (IT)

(73) Assignee: **Samsung Electronics Co., Ltd.**,
Gyeonggi-do (KR)

(**) Term: **14 Years**

(21) Appl. No.: **29/464,914**

(22) Filed: **Aug. 22, 2013**

(30) **Foreign Application Priority Data**

Feb. 22, 2013 (KR) 30-2013-0009398

(51) **LOC (10) Cl.** **14-02**

(52) **U.S. Cl.**
USPC **D14/374**

(58) **Field of Classification Search**
USPC D14/341, 371-375, 125-129, 336, 337,
D14/138 R; 341/12; 345/104, 156, 168, 173;
348/180, 184, 325, 739; 349/1, 2, 11,
349/62; 361/679.05-679.07, 679.21;
D6/300, 308

See application file for complete search history.

(56) **References Cited**

U.S. PATENT DOCUMENTS

D607,854 S * 1/2010 Sagawa D14/126
D669,076 S * 10/2012 Haller D14/374
D673,129 S * 12/2012 Kumano D14/126

* cited by examiner

Primary Examiner — Freda S Nunn

(74) *Attorney, Agent, or Firm* — Harness, Dickey & Pierce

(57) **CLAIM**

The ornamental design for a display screen, as shown and described.

DESCRIPTION

FIG. 1 is the front perspective view of a display screen showing our new design;

FIG. 2 is a front view thereof;

FIG. 3 is a rear view thereof;

FIG. 4 is a left-side view thereof;

FIG. 5 is a right-side view thereof;

FIG. 6 is a top plan view thereof;

FIG. 7 is a bottom plan view thereof;

FIG. 8 is the rear perspective view thereof; and,

FIG. 9 is a partially enlarged section view of FIG. 5 that is included to more clearly depict the design from the right-side view (A) of FIG. 5.

The broken lines shown in the drawings represent unclaimed portions.

1 Claim, 9 Drawing Sheets

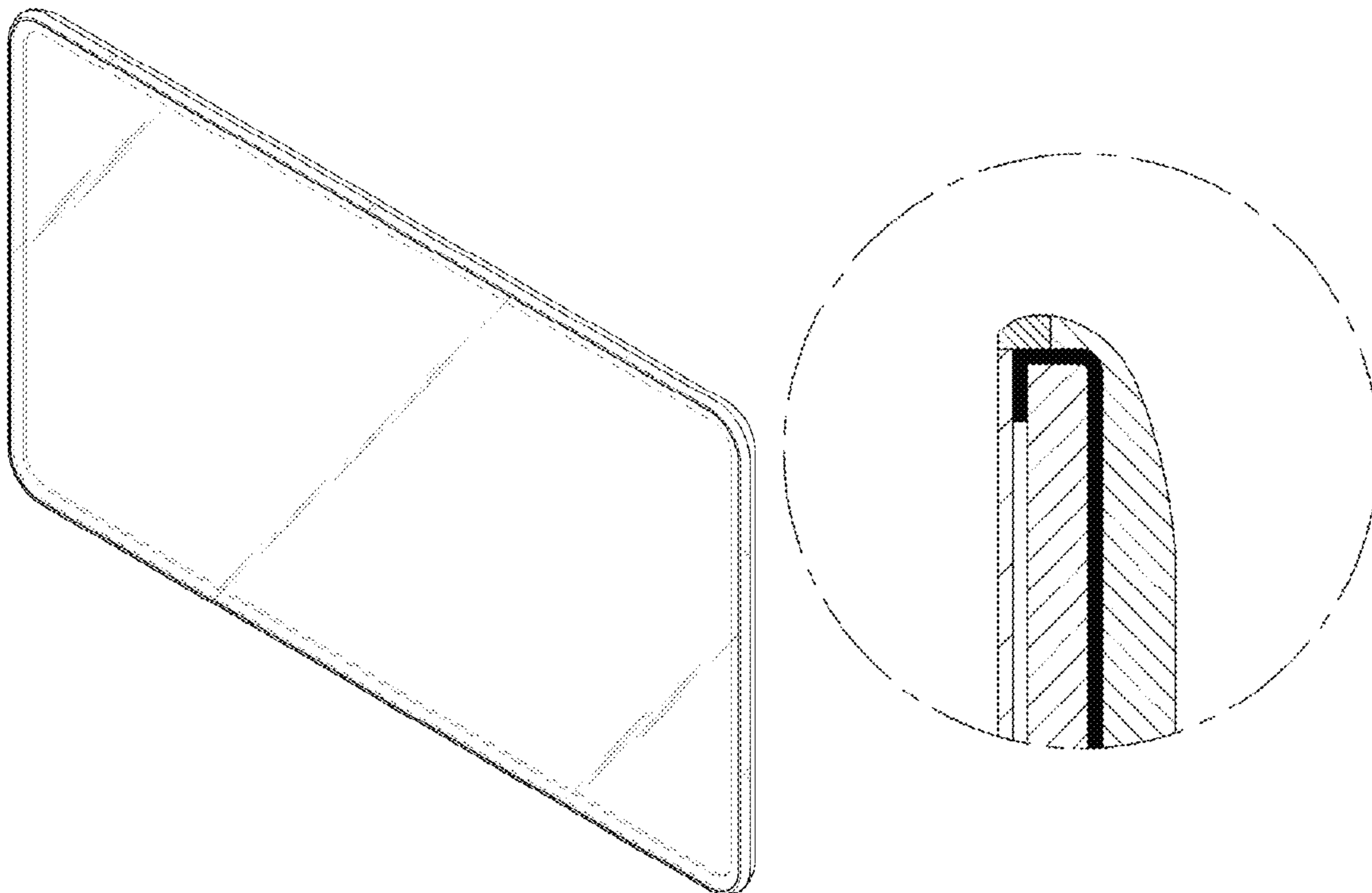


FIG. 1

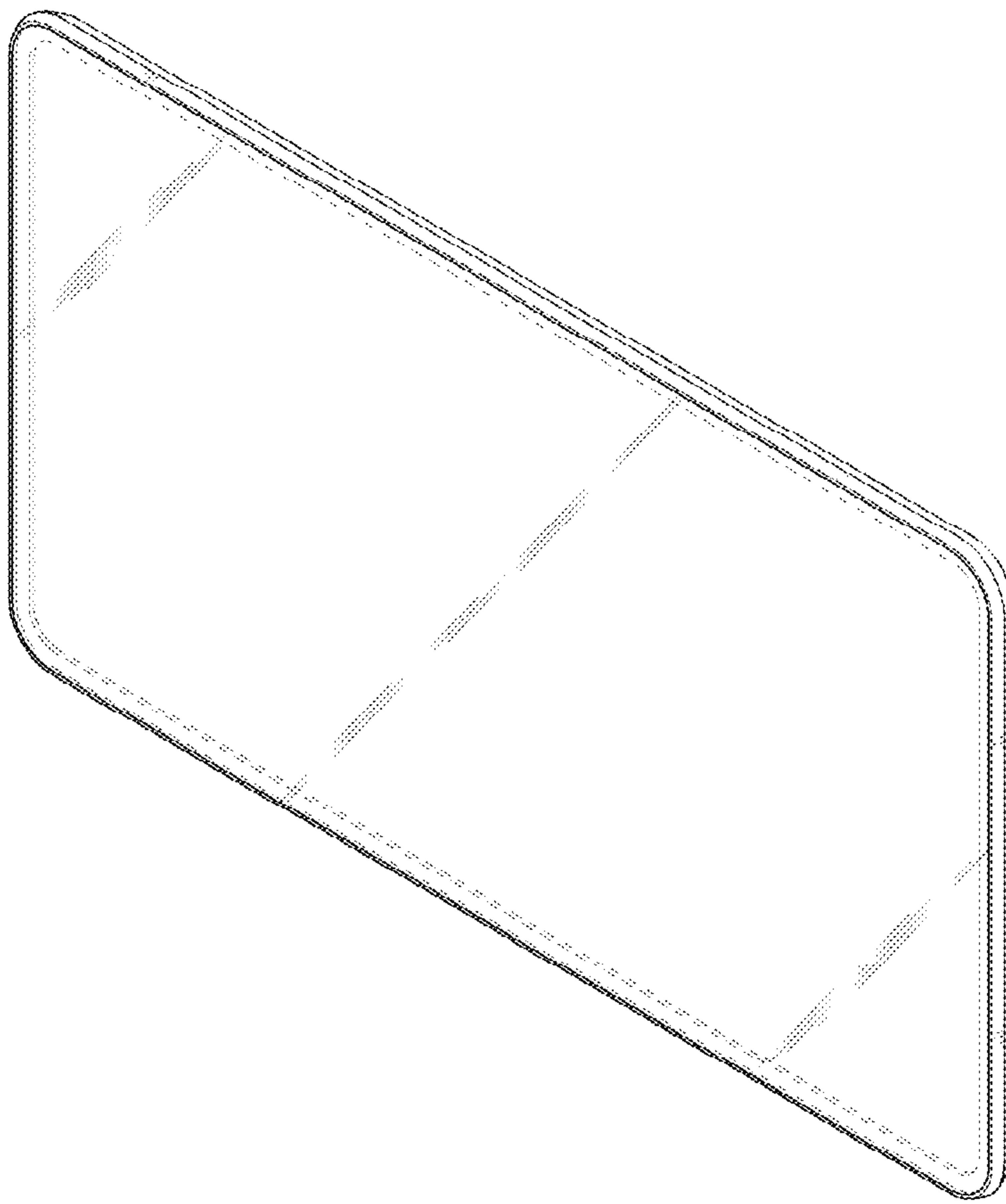


FIG. 2

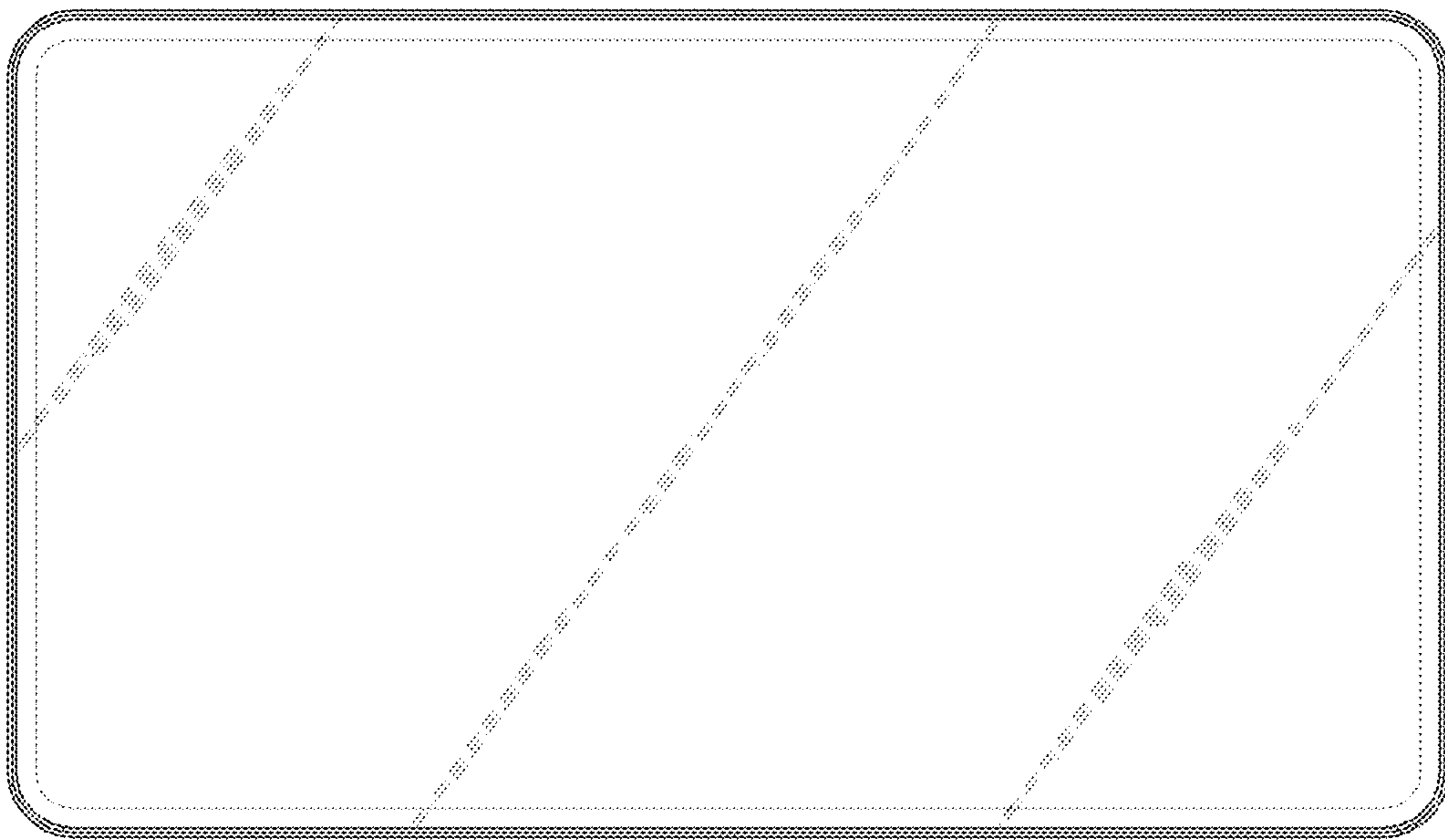


FIG. 3

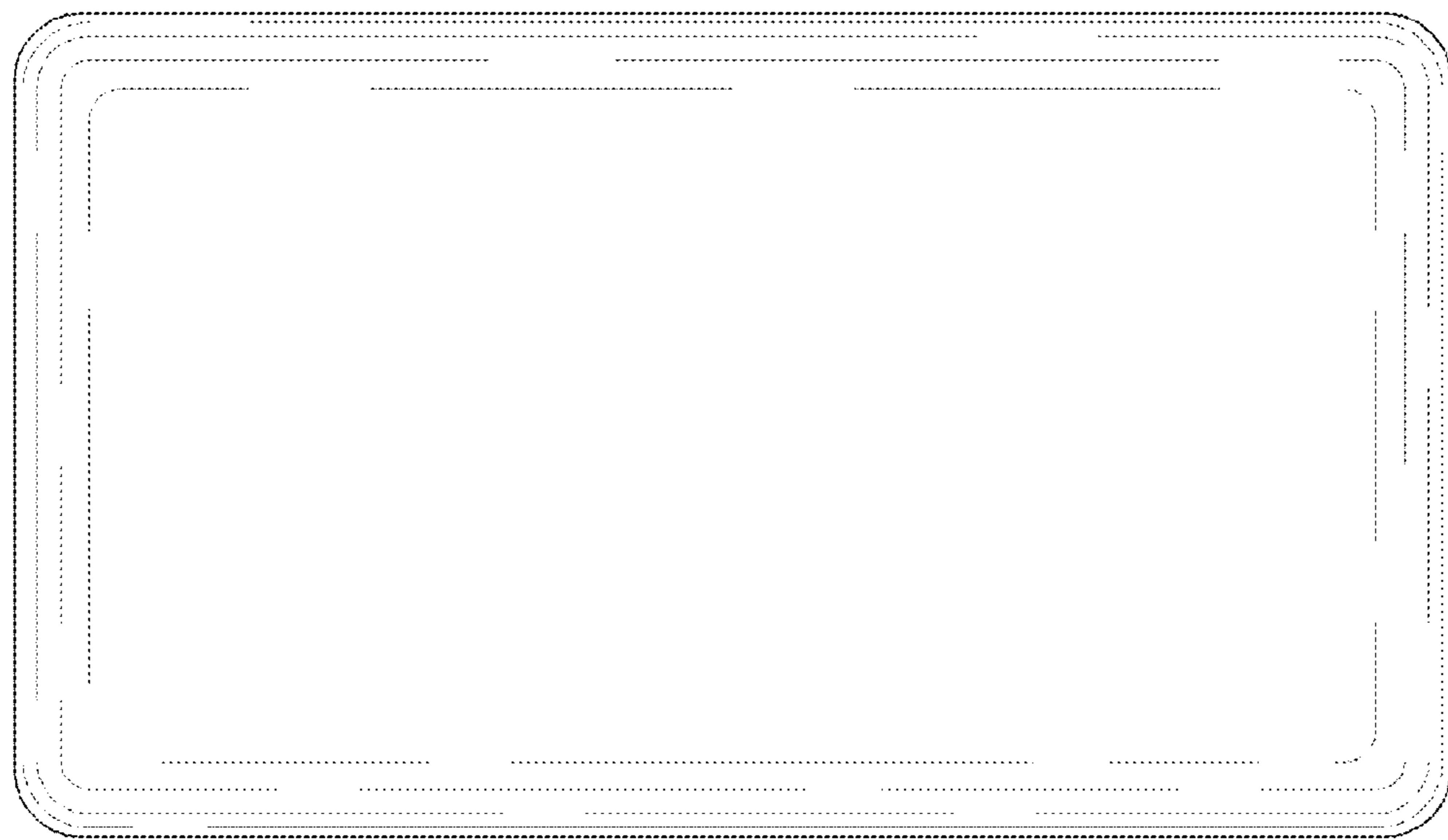


FIG. 4

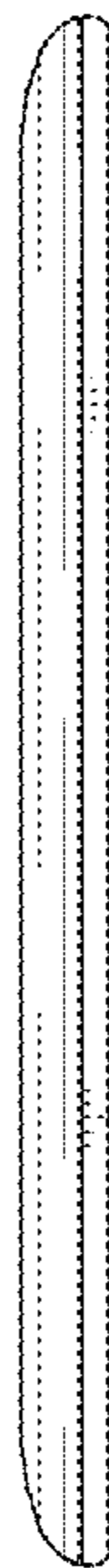


FIG. 5

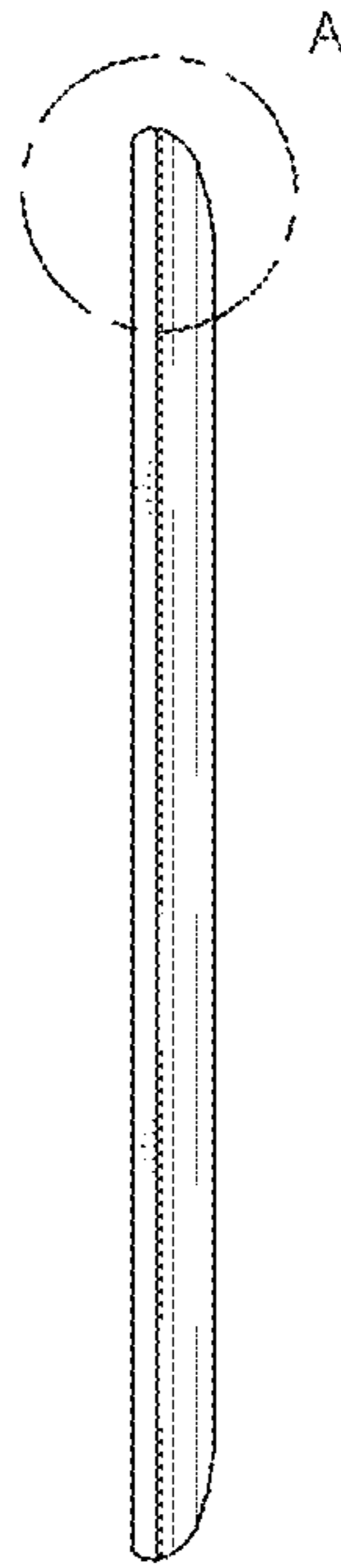


FIG. 6

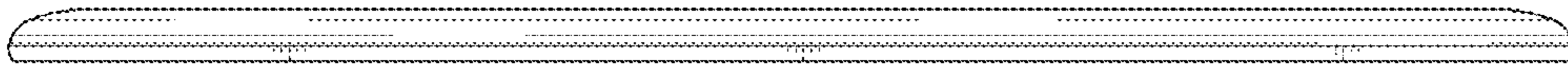


FIG. 7

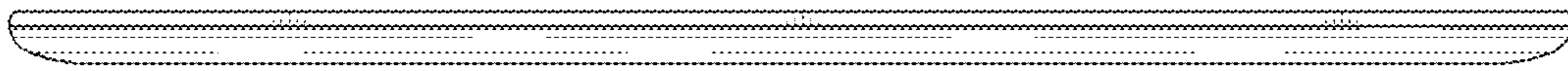


FIG. 8

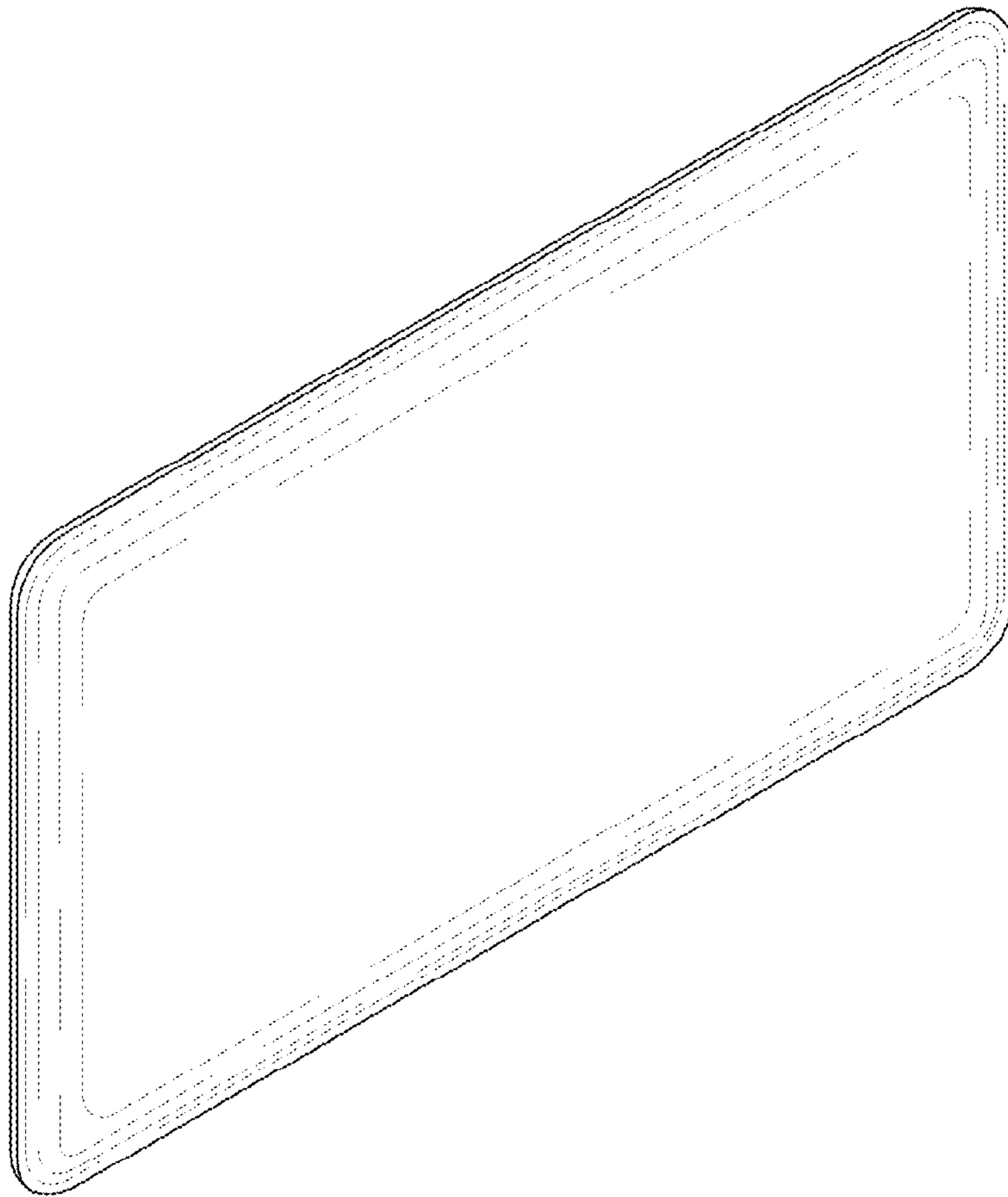


FIG. 9

