



US00D730352S

(12) **United States Design Patent**  
**Chow et al.**

(10) **Patent No.:** **US D730,352 S**  
(45) **Date of Patent:** **\*\* May 26, 2015**

(54) **VIEWING DEVICE**

(71) Applicant: **Kopin Corporation**, Westborough, MA (US)

(72) Inventors: **Kenny W. Y. Chow**, North Point (HK);  
**Kenneth A. Kokinakis**, Naples, FL (US)

(73) Assignee: **Kopin Corporation**, Westborough, MA (US)

(\*\*) Term: **14 Years**

(21) Appl. No.: **29/482,419**

(22) Filed: **Feb. 18, 2014**

(51) **LOC (10) Cl.** ..... **14-02**

(52) **U.S. Cl.**  
USPC ..... **D14/372**

(58) **Field of Classification Search**  
CPC ..... G02B 27/017; G02B 27/0158; G02B 27/0161; G02B 27/0181; G02B 27/0185; G02B 27/0189  
USPC ..... D14/372, 496, 432, 371, 125, 126, 129, D14/299; D16/300-342; 351/158, 153, 144; 345/7-9, 905; 455/344; 348/115, 53, 348/121, 739

See application file for complete search history.

(56) **References Cited**

**U.S. PATENT DOCUMENTS**

D402,651	S	*	12/1998	Depay et al.	.....	D14/372
6,421,031	B1		7/2002	Ronzani et al.		
6,452,572	B1		9/2002	Fan et al.		
D513,032	S	*	12/2005	Diamantidis	.....	D16/300
6,978,478	B2		12/2005	Urakawa et al.		
D517,066	S	*	3/2006	Travers et al.	.....	D14/372
D601,641	S	*	10/2009	Yeung	.....	D21/483
D645,862	S	*	9/2011	Paul	.....	D14/372
D692,424	S	*	10/2013	Pombo et al.	.....	D14/372
D695,739	S	*	12/2013	Kumagai et al.	.....	D14/372
8,643,568	B2		2/2014	West et al.		
D702,234	S	*	4/2014	Pombo et al.	.....	D14/372

D713,406	S	*	9/2014	Pombo et al.	.....	D14/372
D714,786	S	*	10/2014	Pombo et al.	.....	D14/372
D716,364	S	*	10/2014	Chow et al.	.....	D16/300
2012/0114131	A1	*	5/2012	Tricoukes et al.	.....	381/74
2013/0285886	A1	*	10/2013	Pombo et al.	.....	345/8
2014/0347794	A1		11/2014	Pombo et al.		

\* cited by examiner

*Primary Examiner* — Austin Murphy

(74) *Attorney, Agent, or Firm* — Hamilton, Brook, Smith & Reynolds, P.C.

(57) **CLAIM**

The ornamental design for a viewing device, as shown and described.

**DESCRIPTION**

FIG. 1 is a front perspective view of the viewing device in the present invention with a viewing arm having an electronic display being attached to one side of the viewing device.

FIG. 2 is a front view thereof.

FIG. 3 is a rear view thereof.

FIG. 4 is a top view thereof.

FIG. 5 is a bottom view thereof.

FIG. 6 is a left side view thereof.

FIG. 7 is a right side view thereof.

FIG. 8 is a side perspective view thereof.

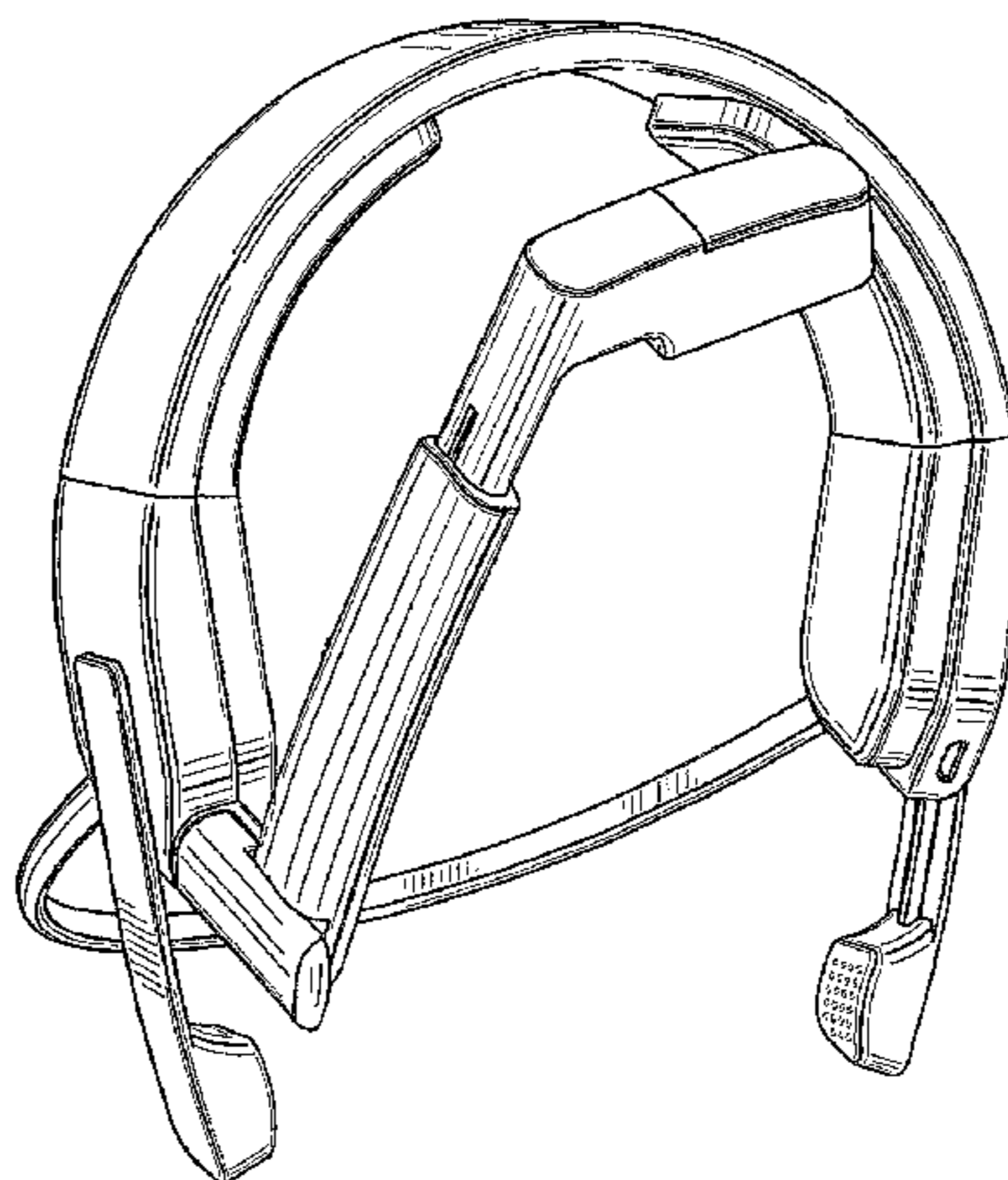
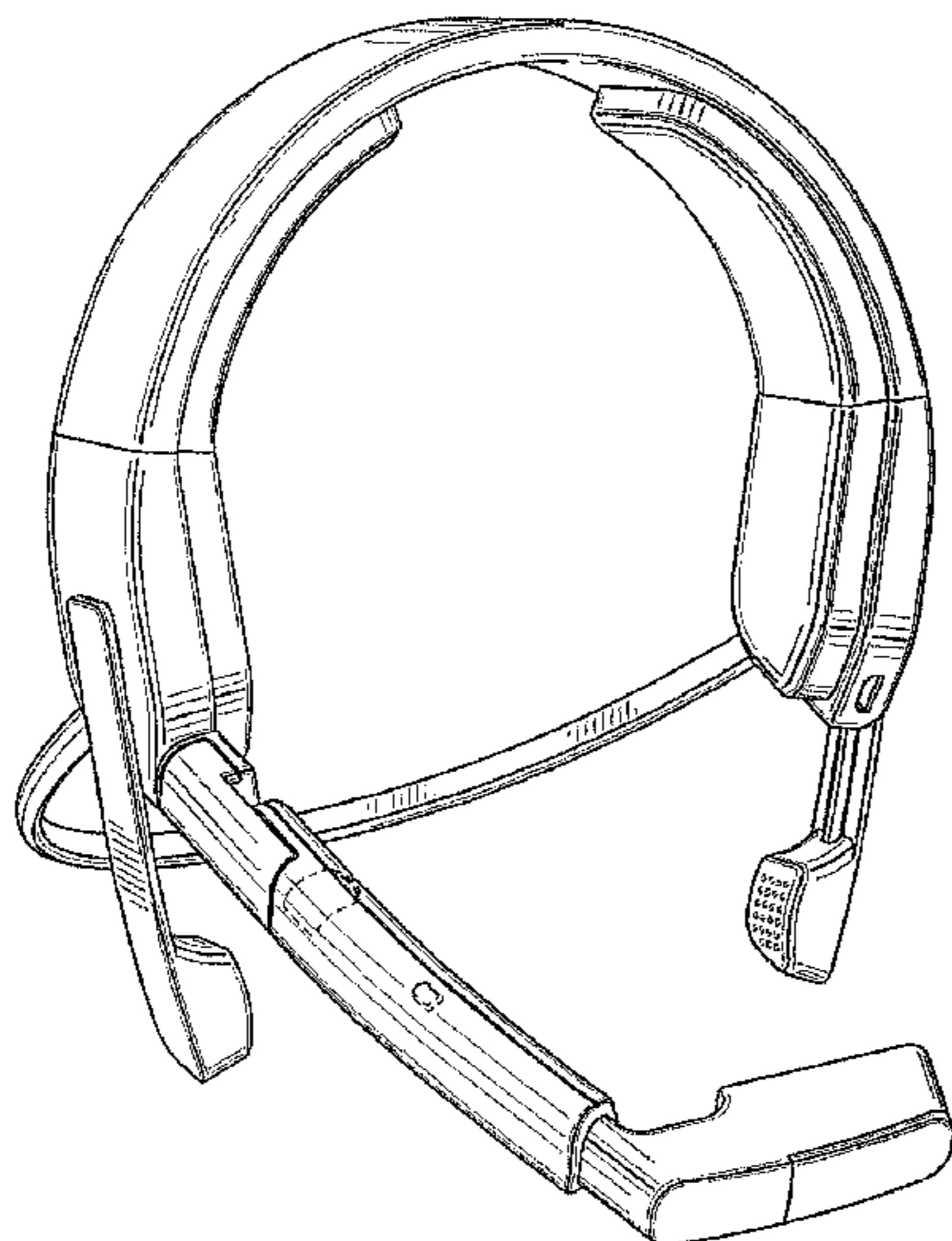
FIG. 9 is a front perspective view with the viewing arm folded up.

FIG. 10 is a side perspective view thereof with the viewing arm detached.

FIG. 11 is a front perspective view thereof with the viewing arm attached on an opposite side of the viewing device; and, FIG. 12 is a front perspective view thereof with the head band adjusted in an extended position.

The viewing device in the present invention is an electronic viewing device having a head band, that can be worn on the head of a user as an audio visual headset, and images and sound generated by the viewing device can be viewed and heard.

**1 Claim, 8 Drawing Sheets**



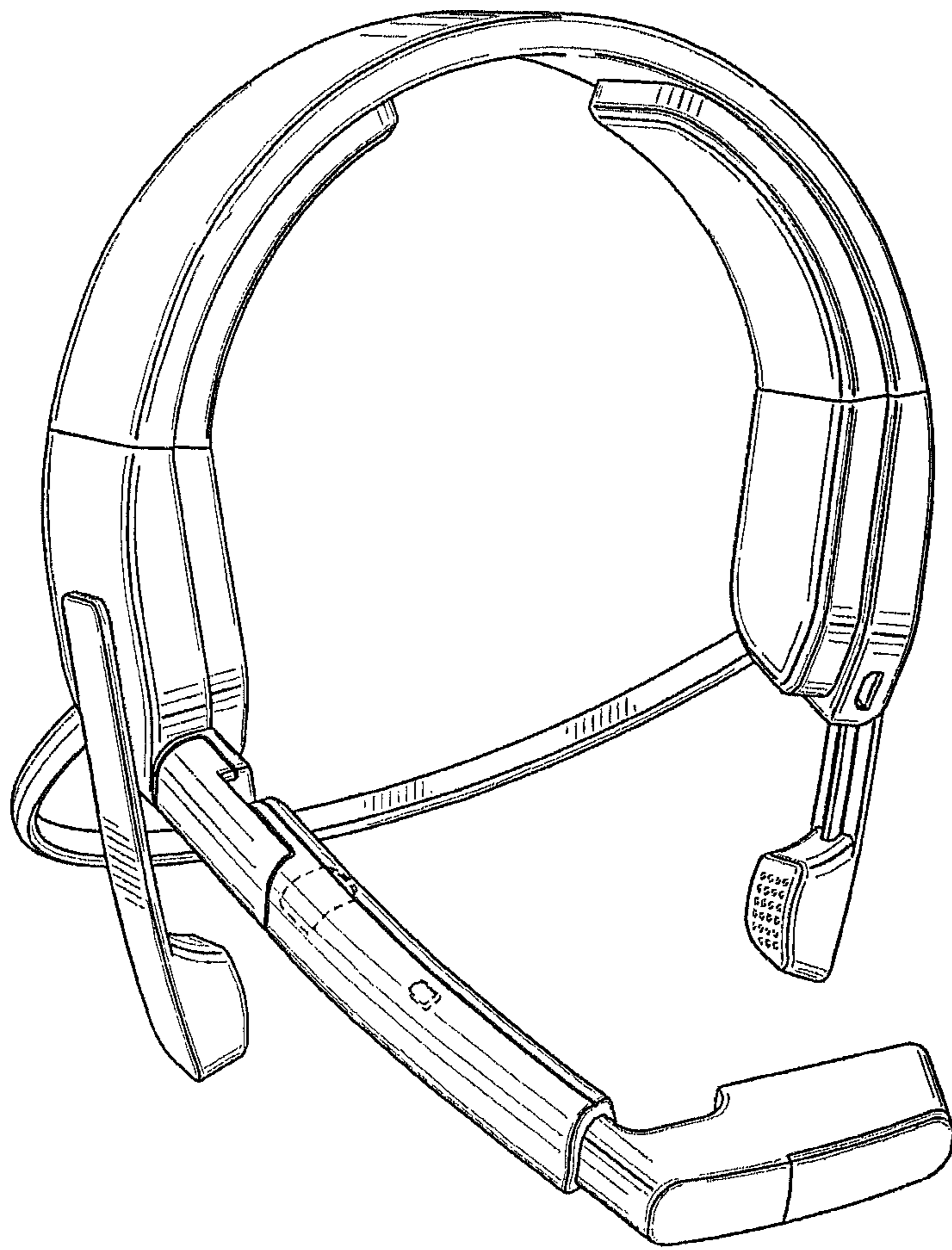


FIG. 1

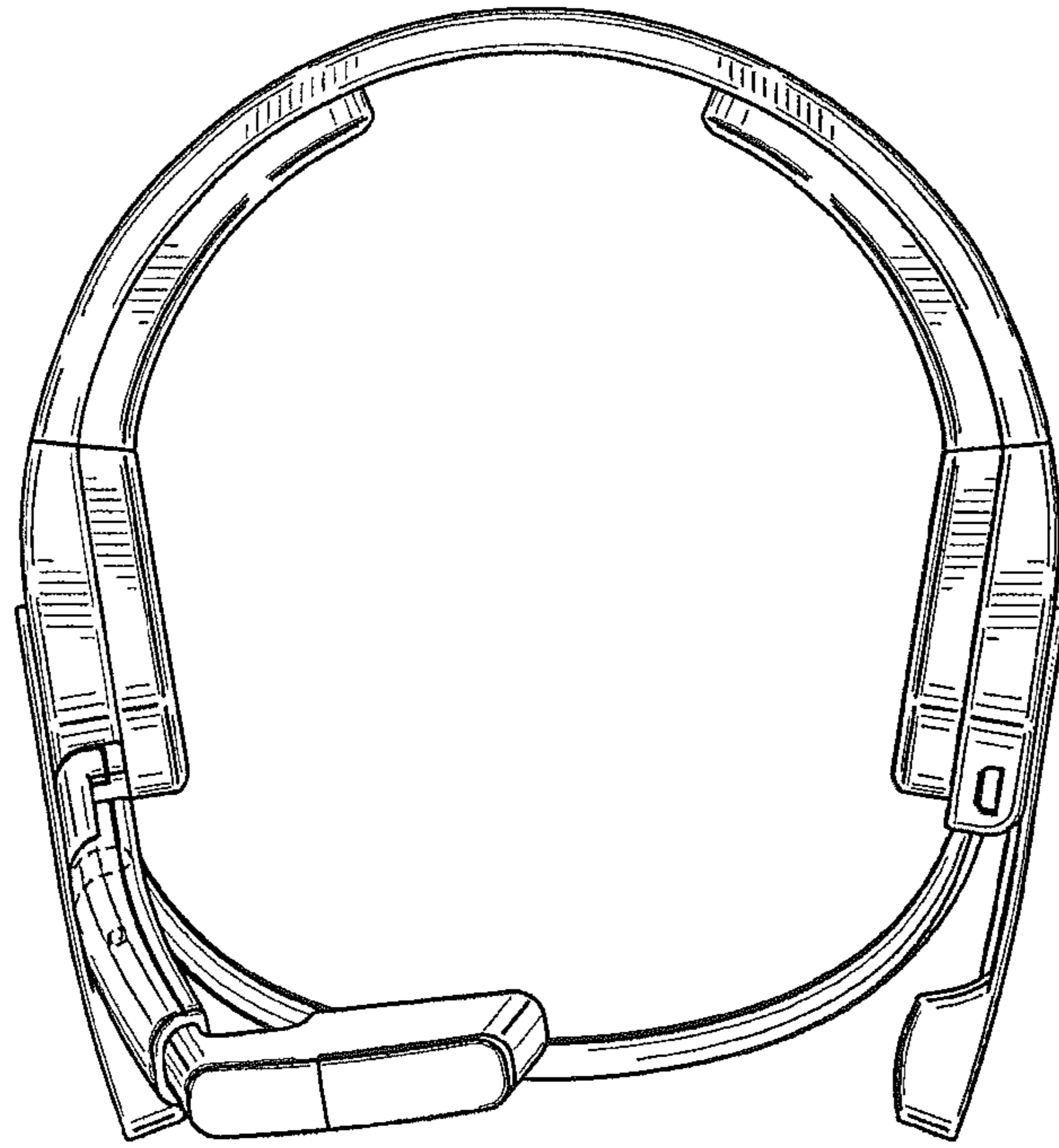


FIG. 2

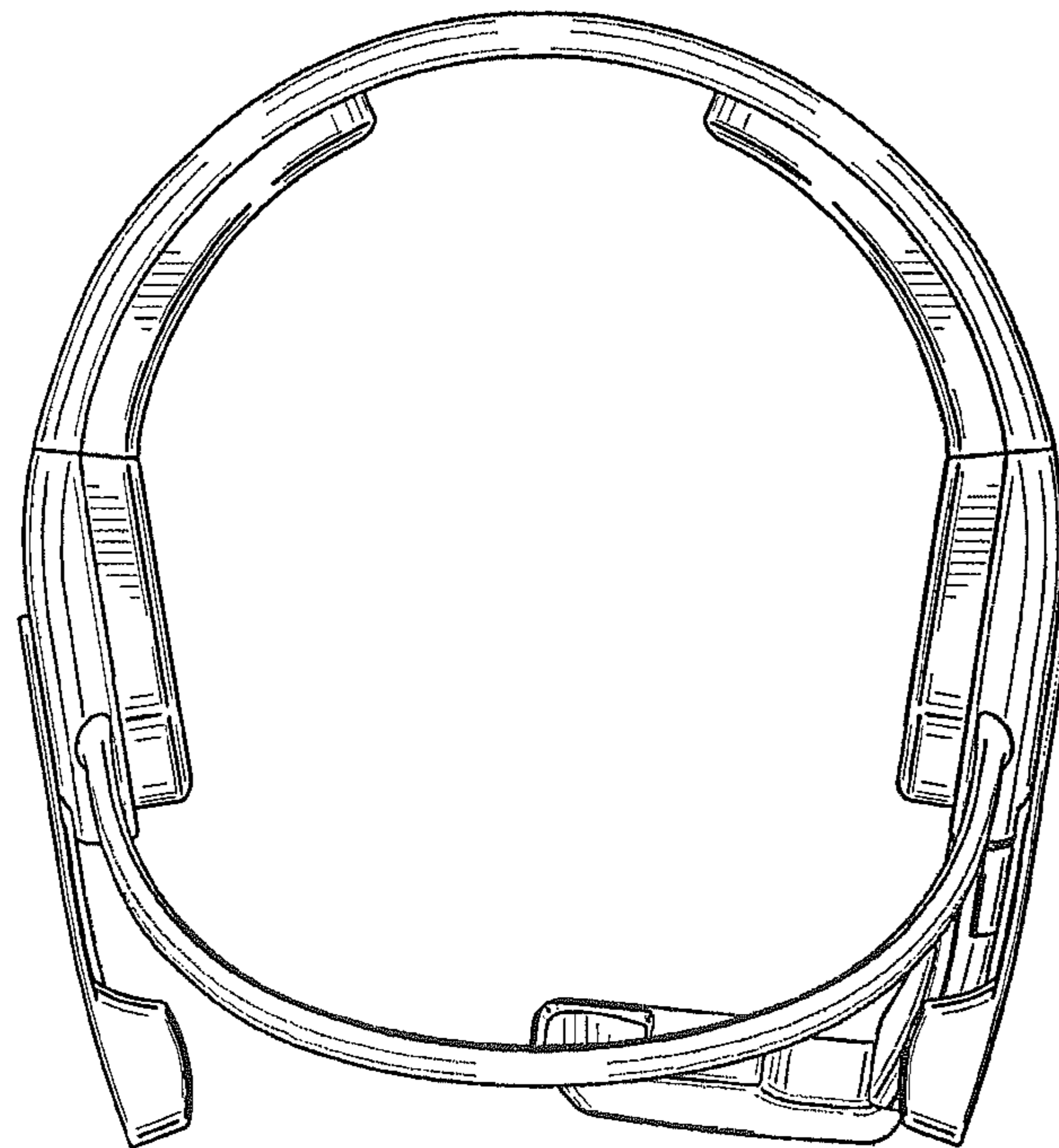


FIG. 3

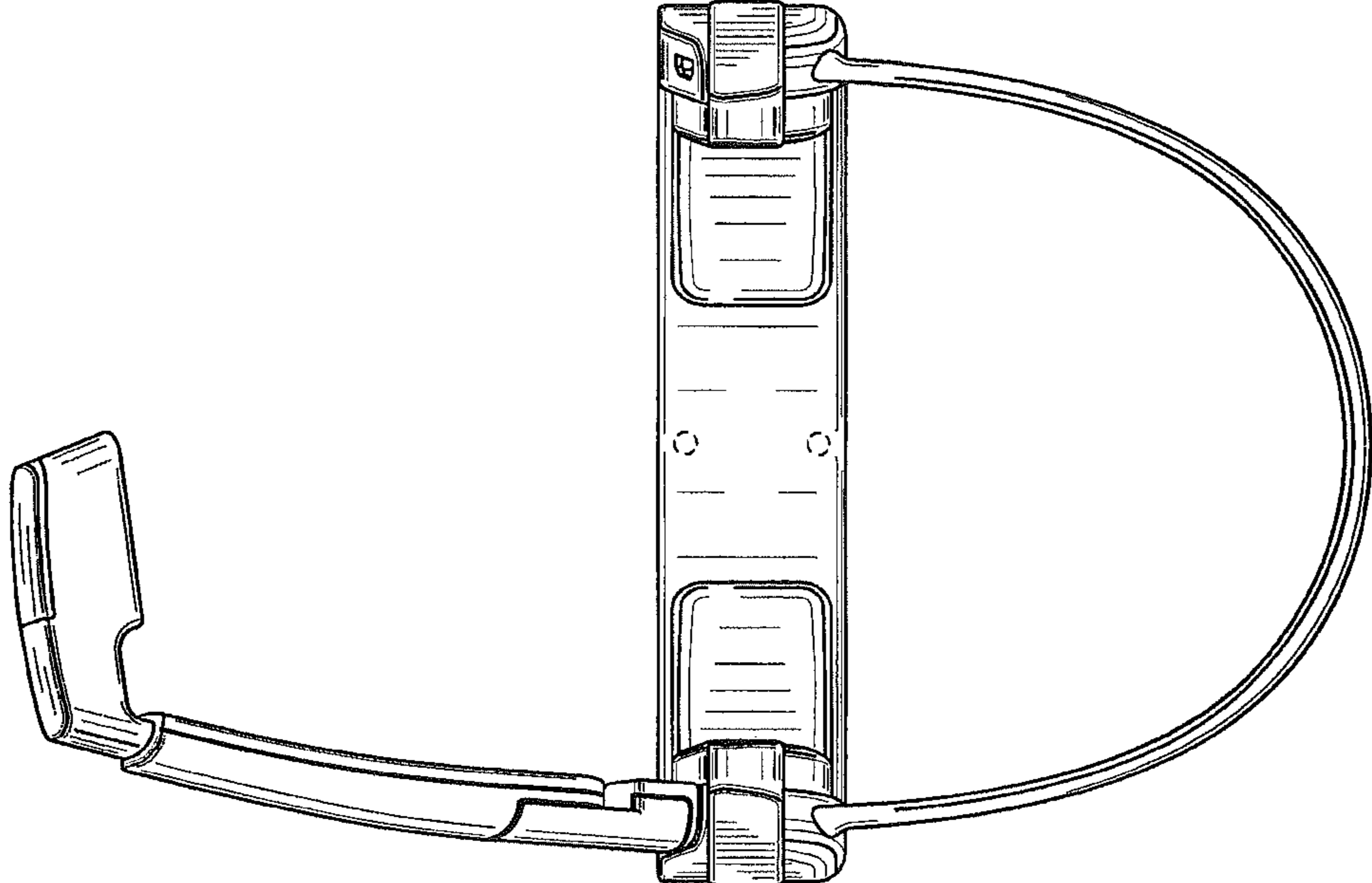


FIG. 5

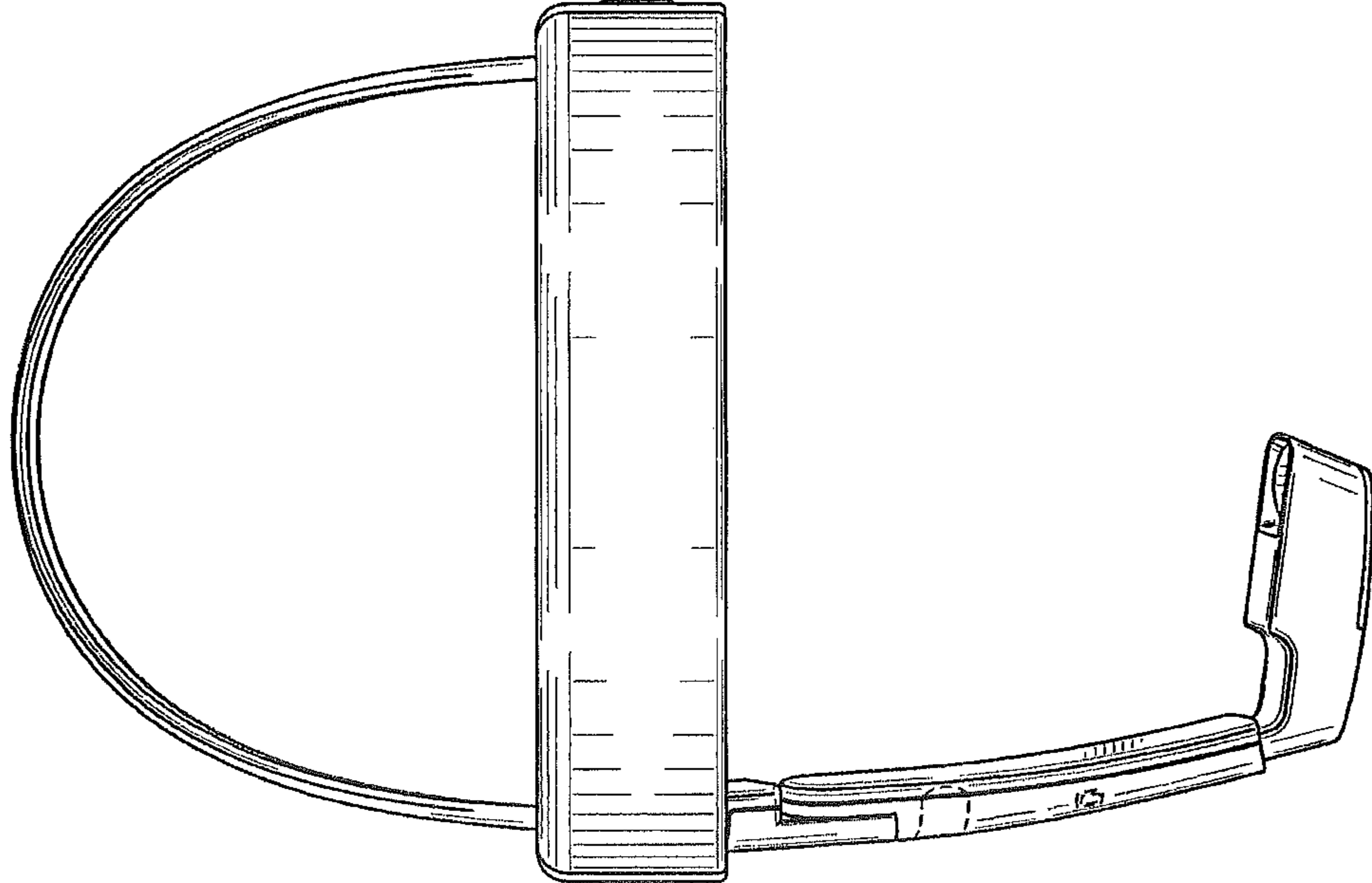


FIG. 4

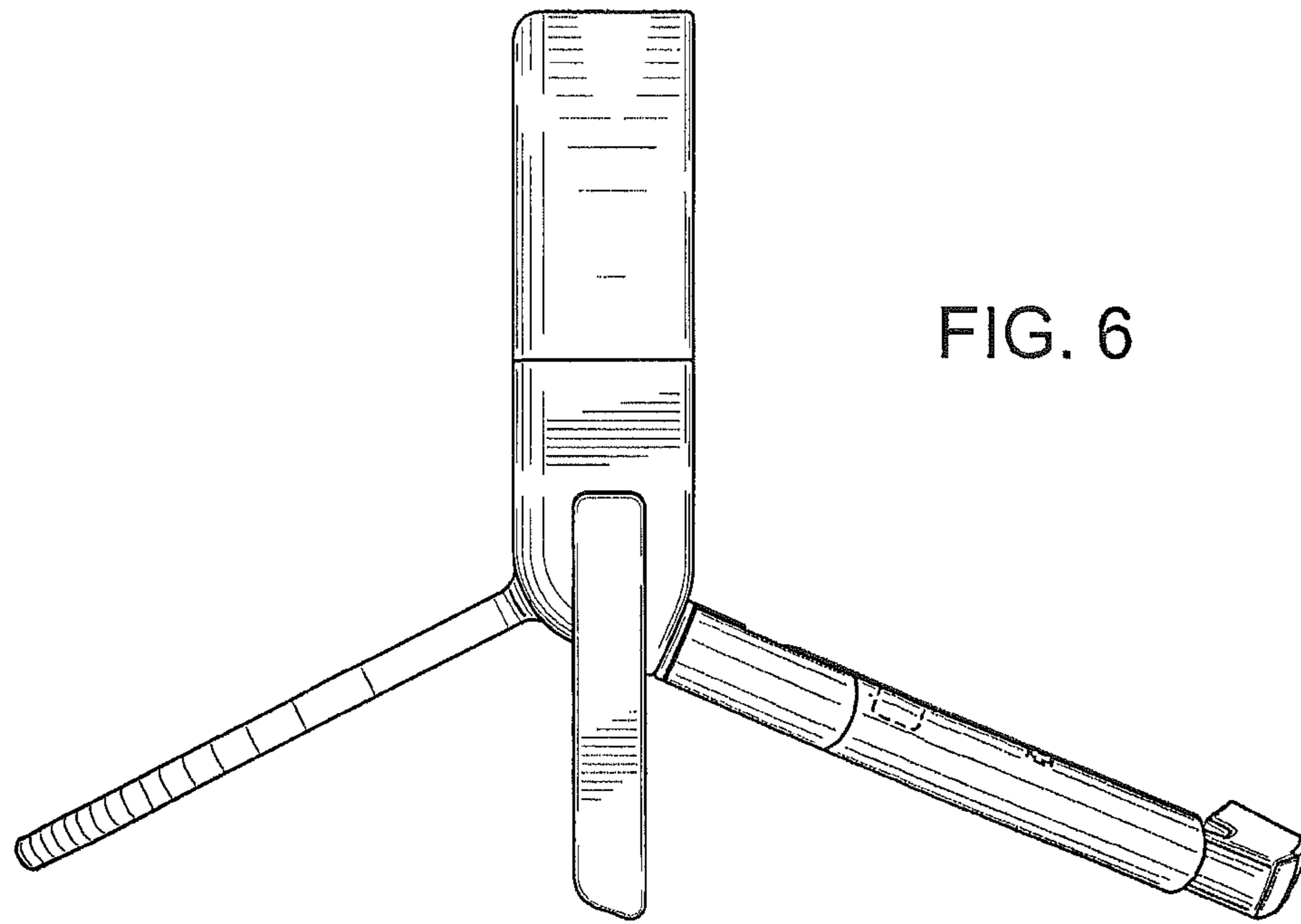


FIG. 6

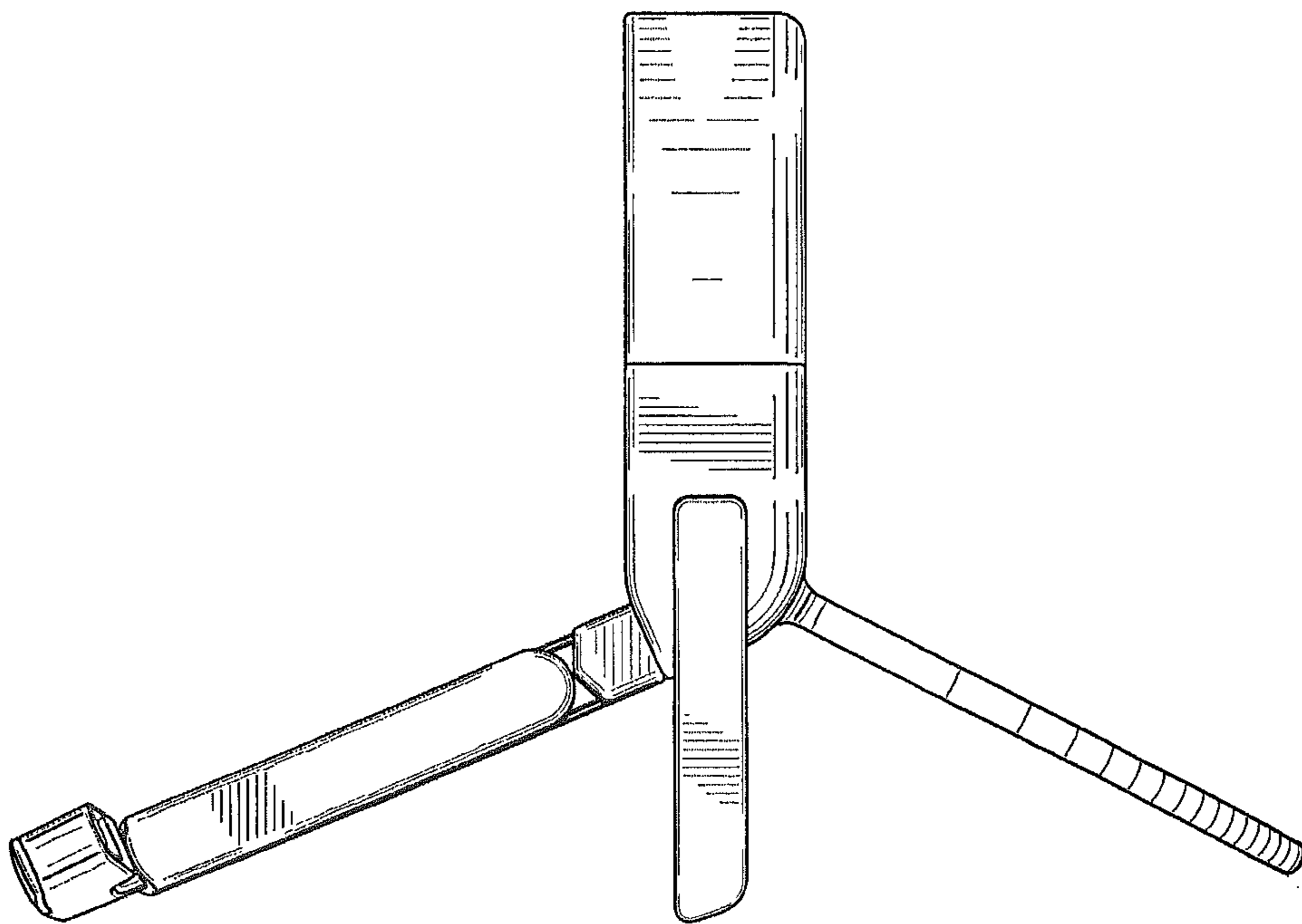
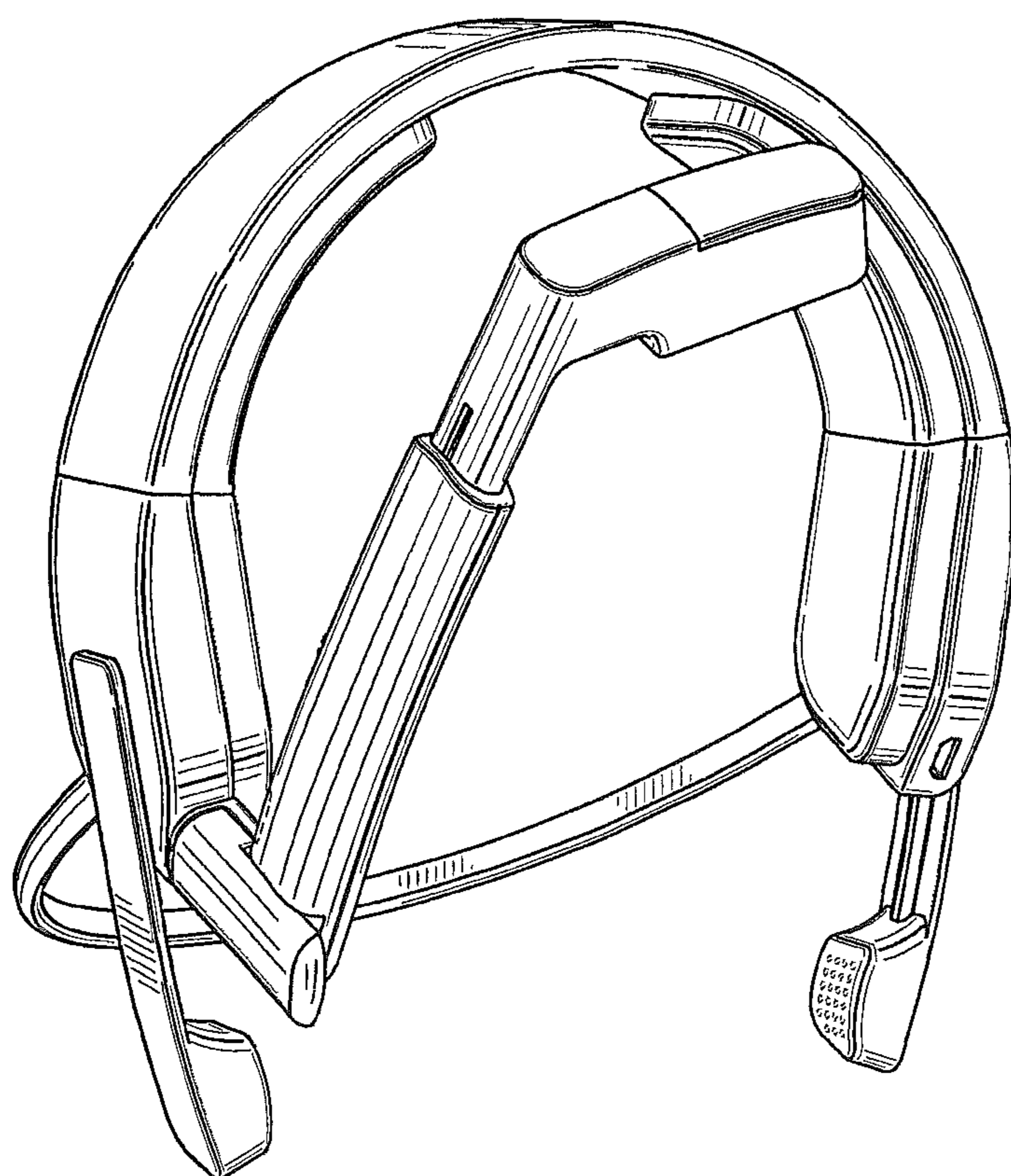
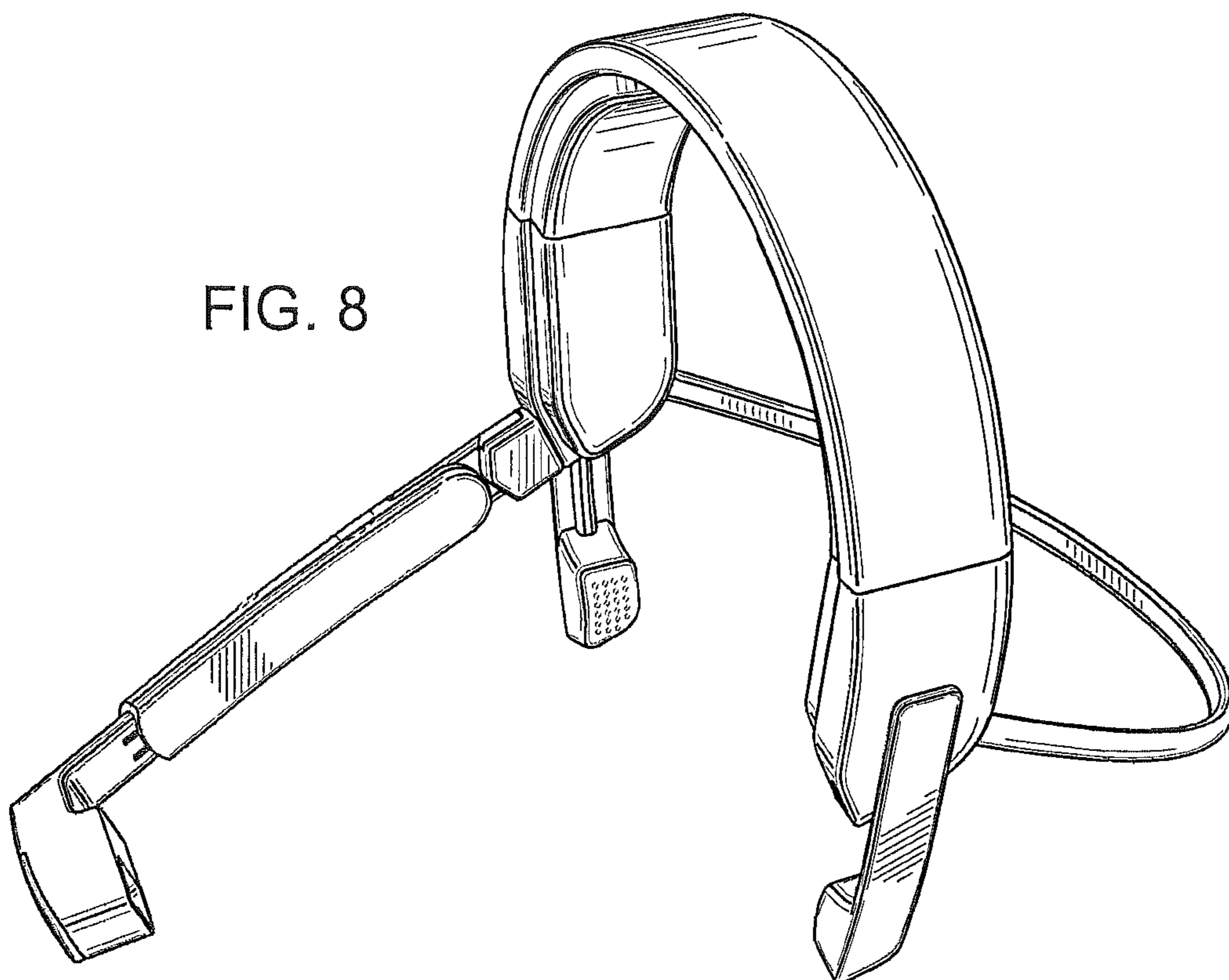


FIG. 7



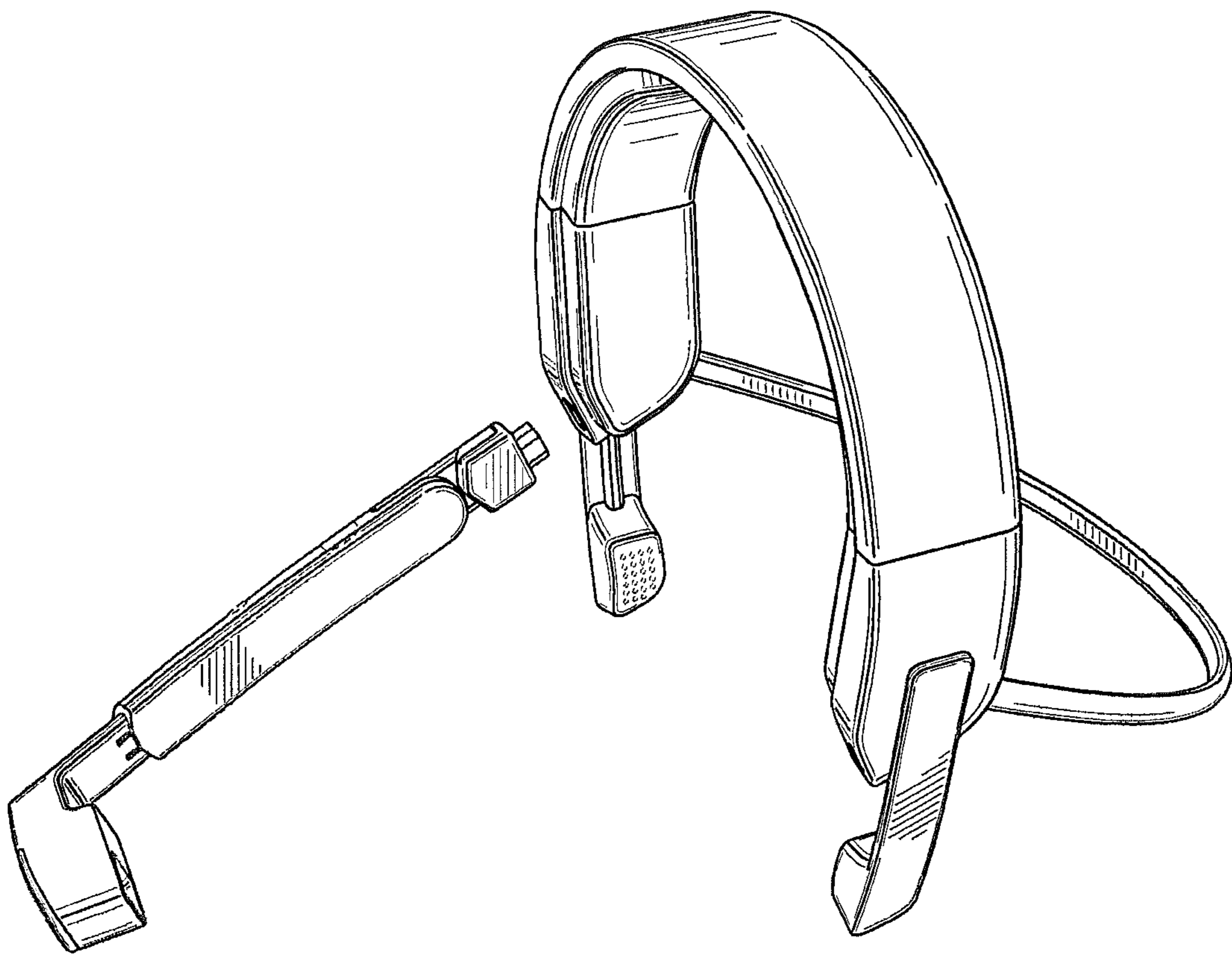


FIG. 10

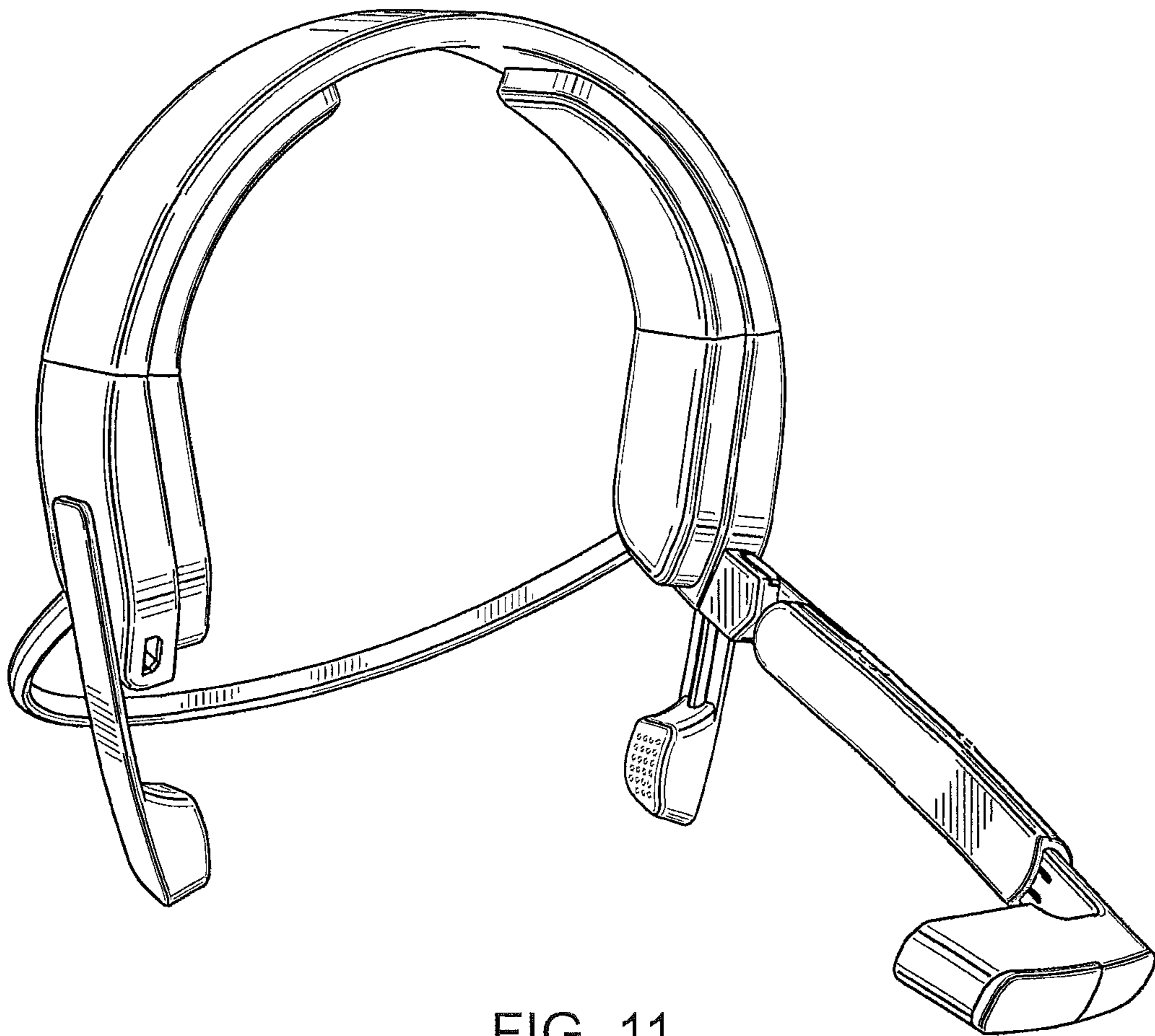


FIG. 11



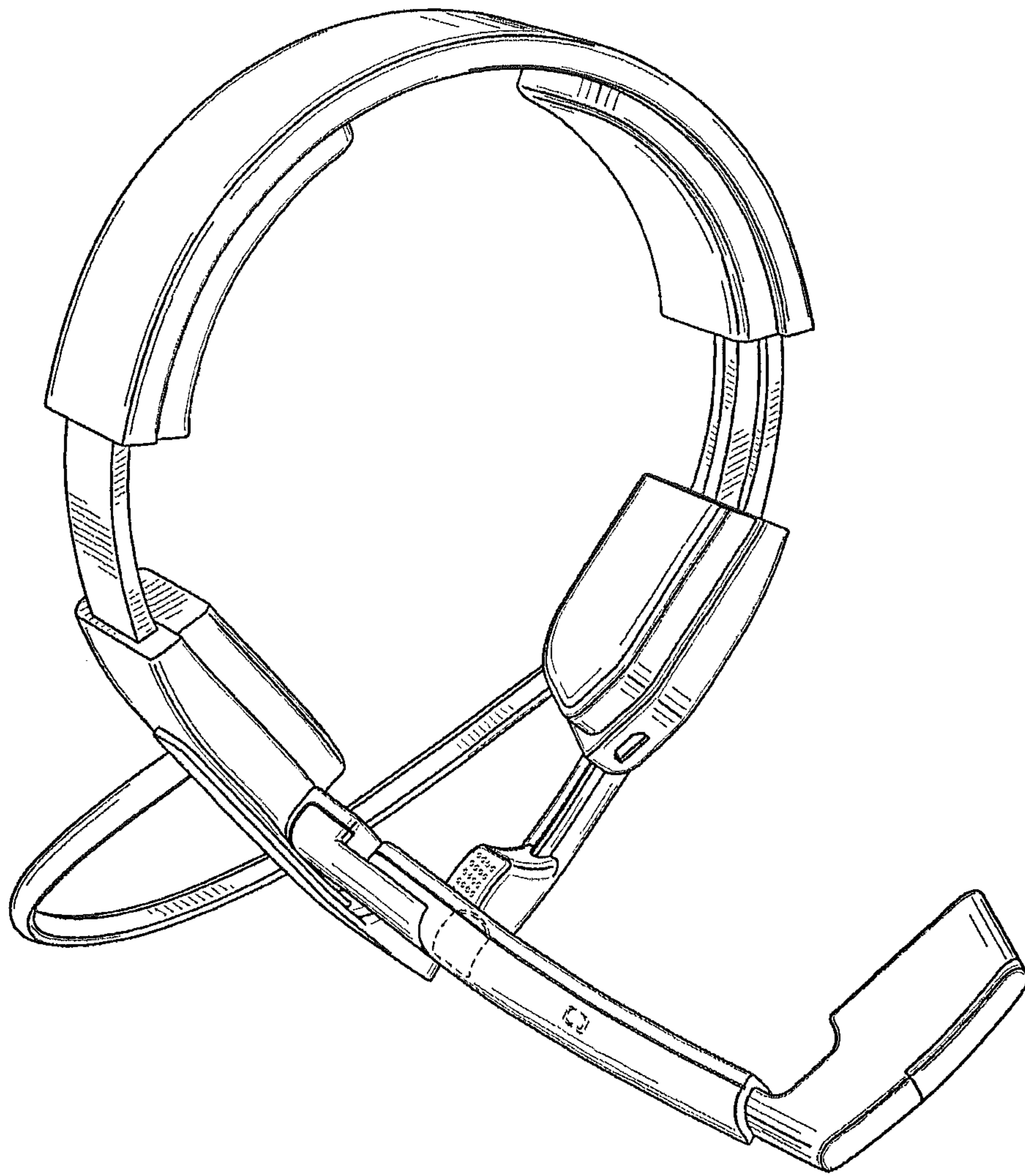


FIG. 12