

US00D730350S

(12) **United States Design Patent**
Lee et al.

(10) **Patent No.:** **US D730,350 S**

(45) **Date of Patent:** **** May 26, 2015**

(54) **HOME GATEWAY**

D10/65, 75, 78; D13/103, 119, 162,
D13/184, 199; D6/708; 248/445, 176.1

(71) Applicants: **Wook-Hyoung Lee**, Suwon (KR);
Dong-Ho Shin, Seongnam (KR);
Bong-Hee Park, Seongnam (KR);
Jae-Won Choi, Incheon (KR); **Soon-Jae**
Gwon, Seoul (KR); **Jong-Gu Jeon**,
Seongnam (KR); **Mi-Ran Han**, Suwon
(KR); **Jung-Ro Seo**, Seoul (KR)

See application file for complete search history.

(56)

References Cited

U.S. PATENT DOCUMENTS

D200,656	S	*	3/1965	Loska et al.	D6/462
D203,824	S	*	2/1966	Rawson et al.	D10/75
D326,235	S	*	5/1992	Bastjanic et al.	D10/75
D330,135	S	*	10/1992	Furner et al.	D6/513
D510,094	S	*	9/2005	Bolton et al.	D14/496
D533,148	S	*	12/2006	Hong	D14/125
D539,290	S	*	3/2007	Zhu et al.	D14/447
D563,334	S	*	3/2008	Wang	D14/125
D573,987	S	*	7/2008	Dearborn et al.	D14/363
D589,914	S	*	4/2009	Wang et al.	D14/125
D589,916	S	*	4/2009	Xie et al.	D14/125
D654,496	S	*	2/2012	Chen et al.	D14/314
D717,297	S	*	11/2014	Koberling et al.	D14/349

* cited by examiner

Primary Examiner — Karen E Kearney

(74) *Attorney, Agent, or Firm* — Flynn, Thiel, Boutell &
Tanis, P.C.

(72) Inventors: **Wook-Hyoung Lee**, Suwon (KR);
Dong-Ho Shin, Seongnam (KR);
Bong-Hee Park, Seongnam (KR);
Jae-Won Choi, Incheon (KR); **Soon-Jae**
Gwon, Seoul (KR); **Jong-Gu Jeon**,
Seongnam (KR); **Mi-Ran Han**, Suwon
(KR); **Jung-Ro Seo**, Seoul (KR)

(73) Assignee: **SAMSUNG ELECTRONICS CO.,**
LTD., Suwon-si, Gyeonggi-do (KR)

(**) Term: **14 Years**

(21) Appl. No.: **29/456,690**

(22) Filed: **Jun. 3, 2013**

(57)

CLAIM

The ornamental design for a home gateway, as shown and
described.

DESCRIPTION

(30) **Foreign Application Priority Data**

Dec. 5, 2012 (KR) 30-2012-0058348

(51) **LOC (10) Cl.** **14-02**

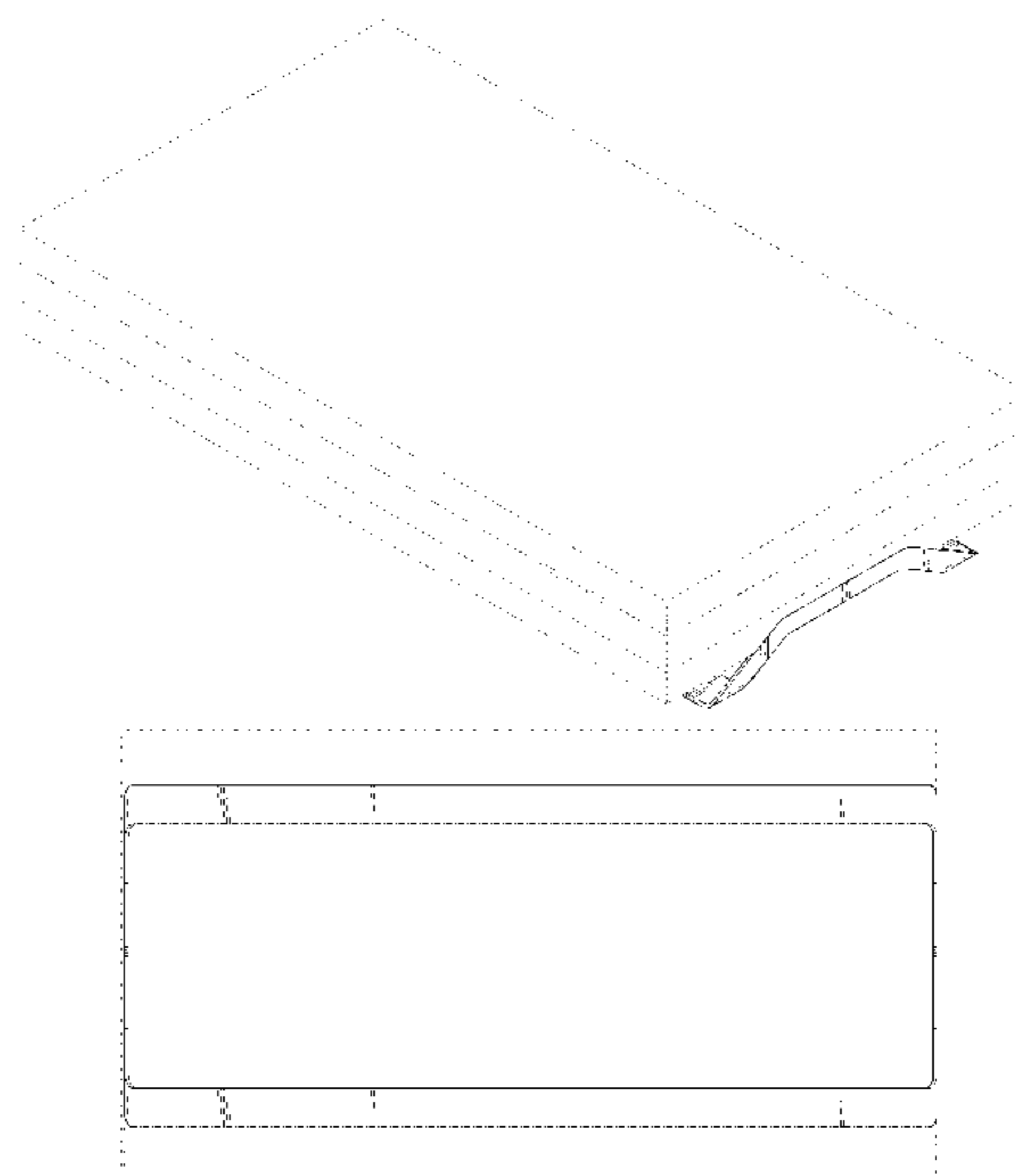
(52) **U.S. Cl.**
USPC **D14/358**; D14/447; D14/240

(58) **Field of Classification Search**
CPC H04L 12/00; H03K 17/00; H04W 88/00;
H04W 88/005; H04W 88/02; H04W 88/08;
H04W 88/085; H04W 88/10; H04W 88/12;
H04W 88/14; H04B 1/38
USPC D14/300–302, 314, 348–370, 383–385,
D14/435, 447, 451, 457, 496, 125, 135, 155,
D14/240–242, 299; D3/273; D9/432;

FIG. 1 is a top front perspective view of a home gateway
showing our new design;
FIG. 2 is a front view thereof;
FIG. 3 is a rear view thereof;
FIG. 4 is a left side view thereof;
FIG. 5 is a right side view thereof;
FIG. 6 is a top view thereof; and,
FIG. 7 is a bottom view thereof.

The broken lines illustrating portions of the home gateway are
for environmental purposes only and form no part of the
claimed design.

1 Claim, 3 Drawing Sheets



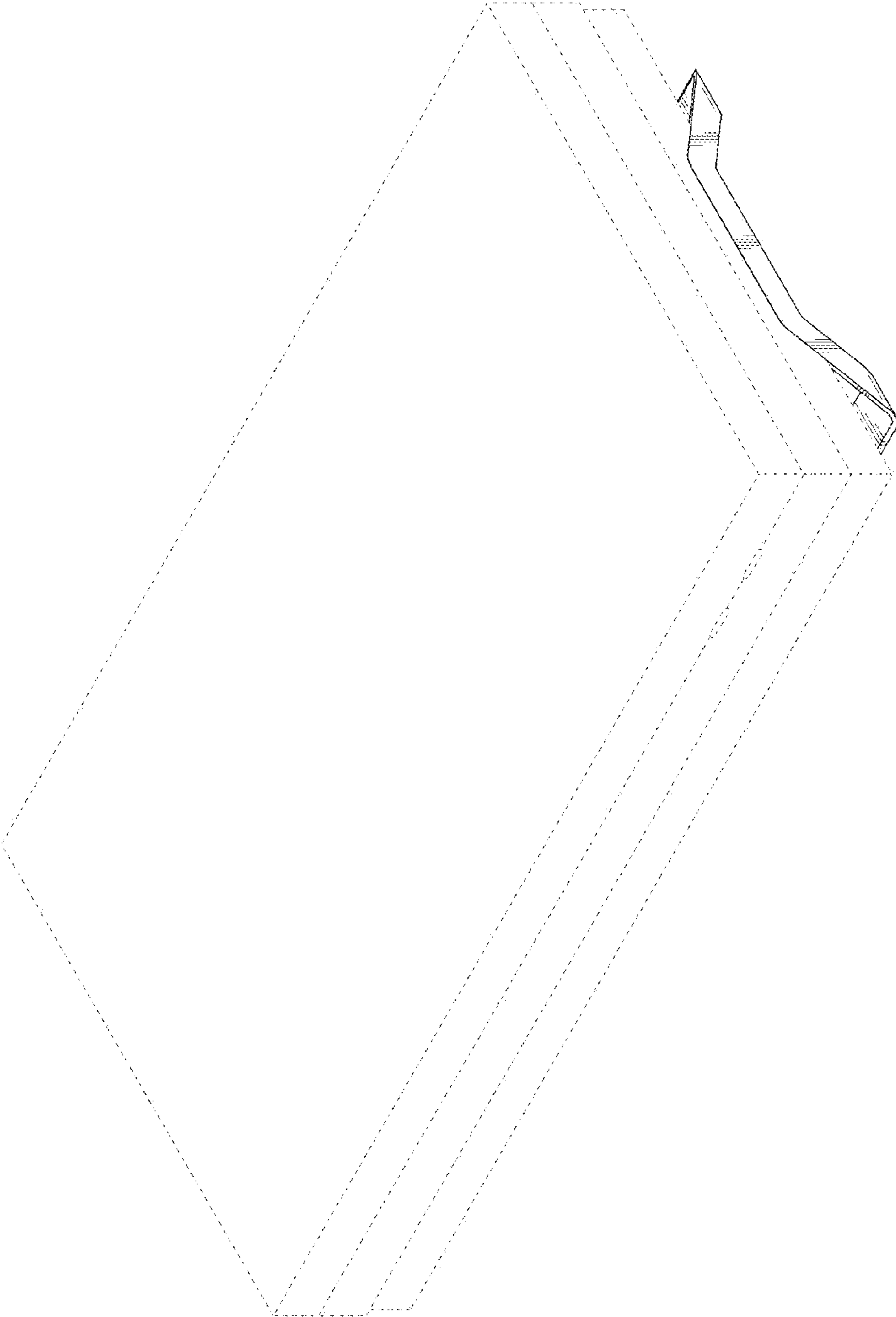


FIG. 1

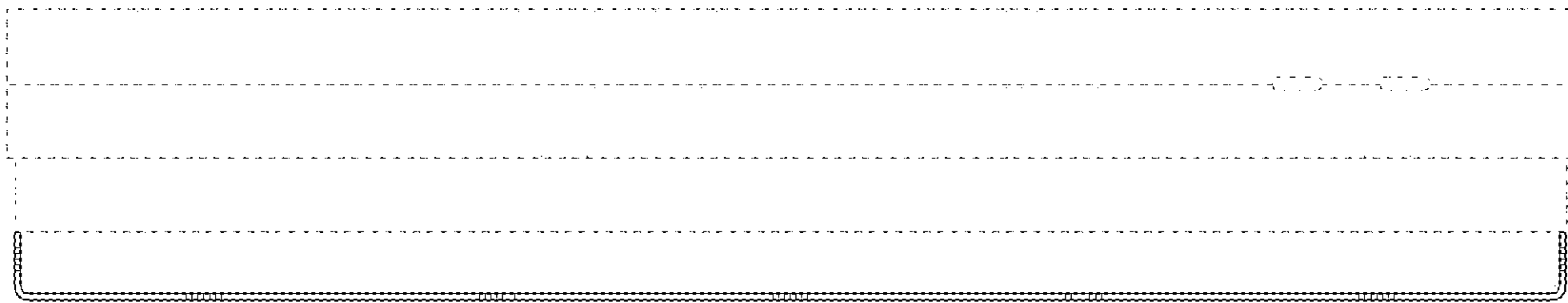


FIG. 2

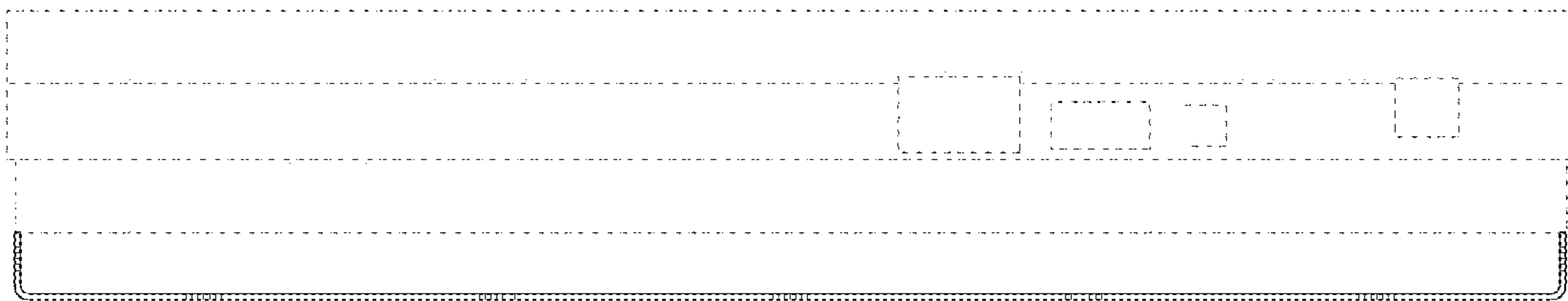


FIG. 3

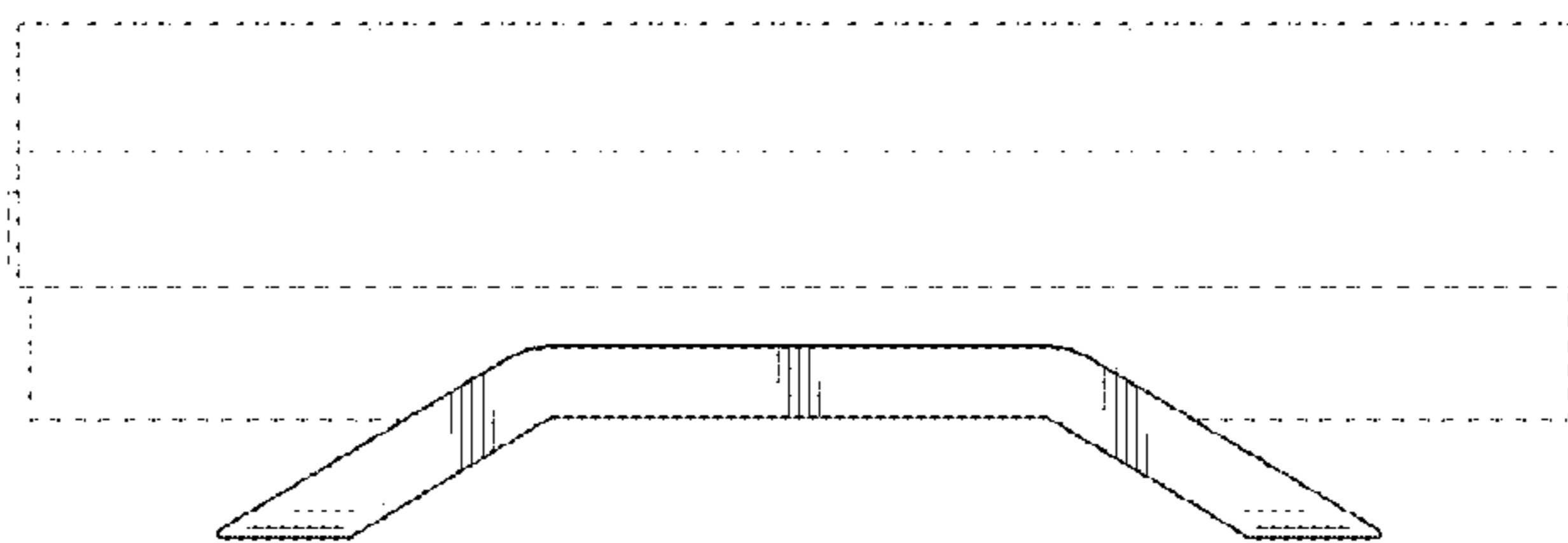


FIG. 4

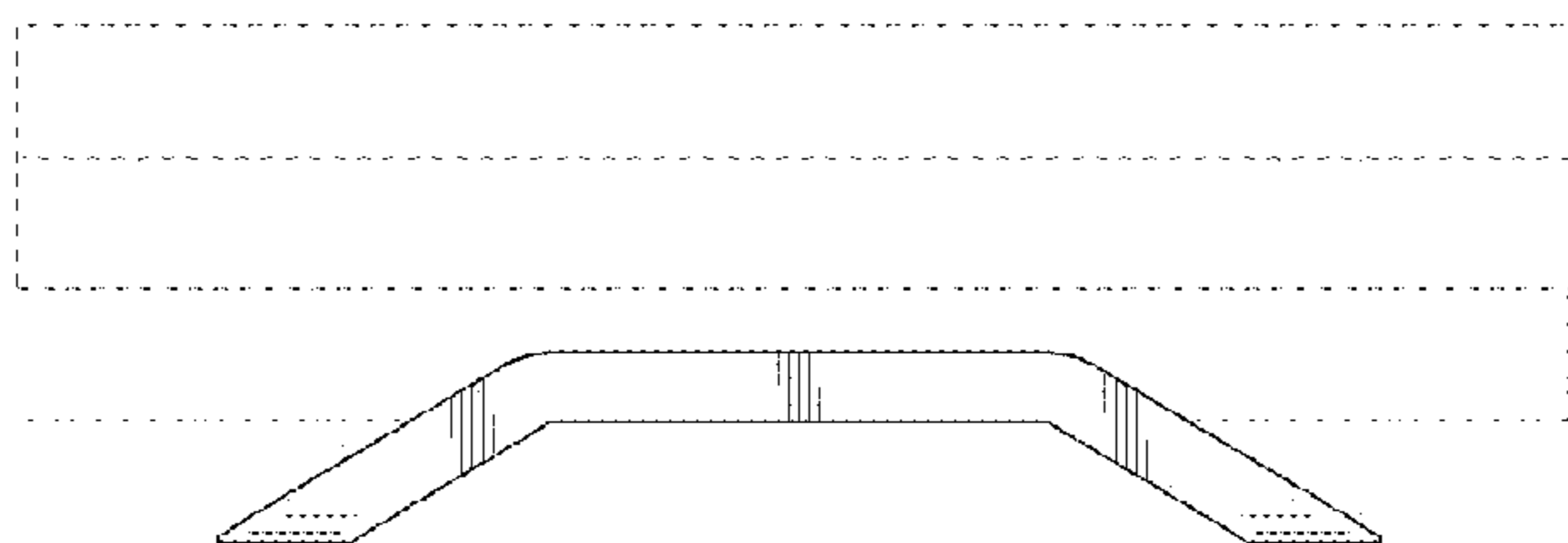


FIG. 5

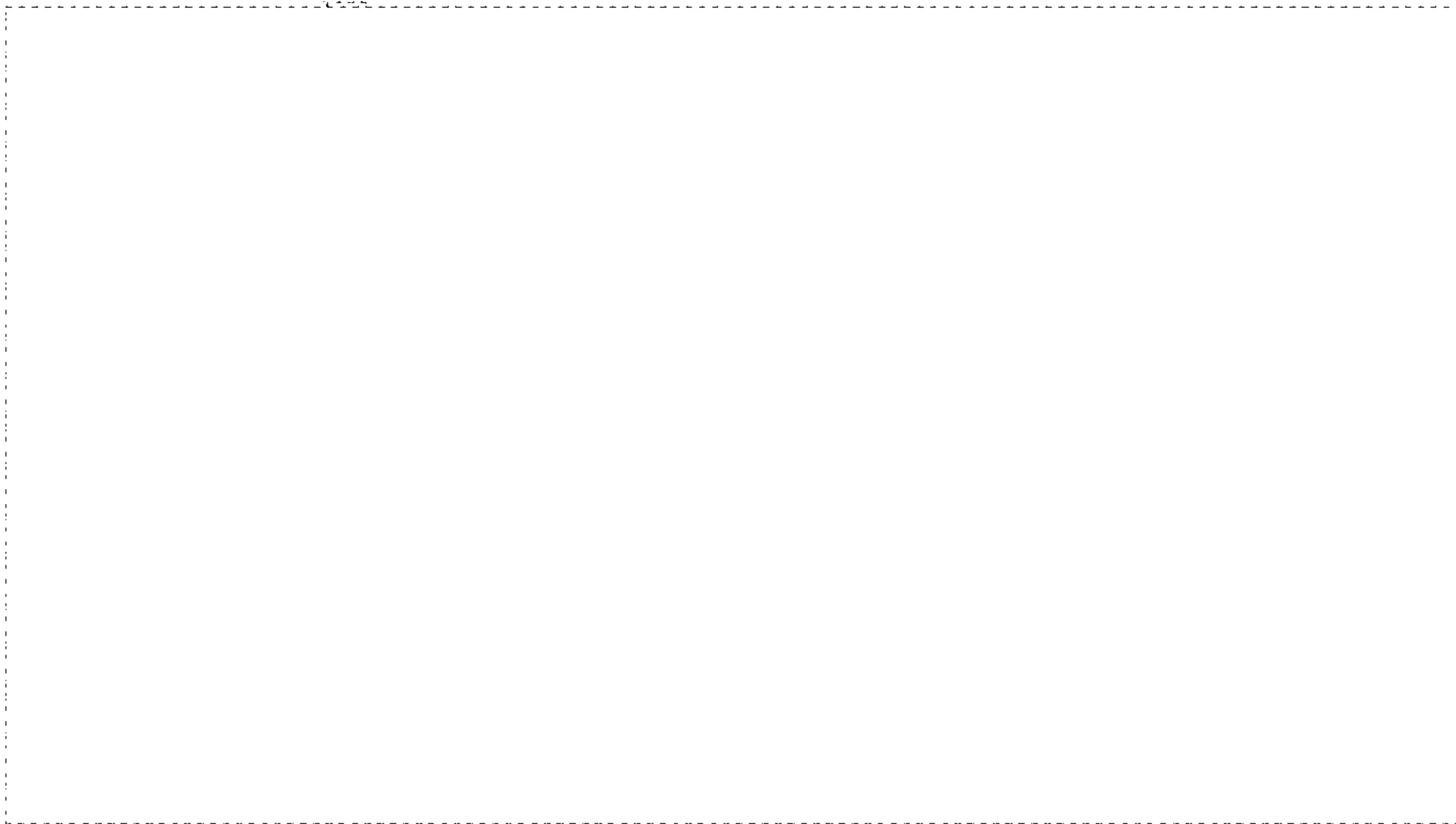


FIG. 6

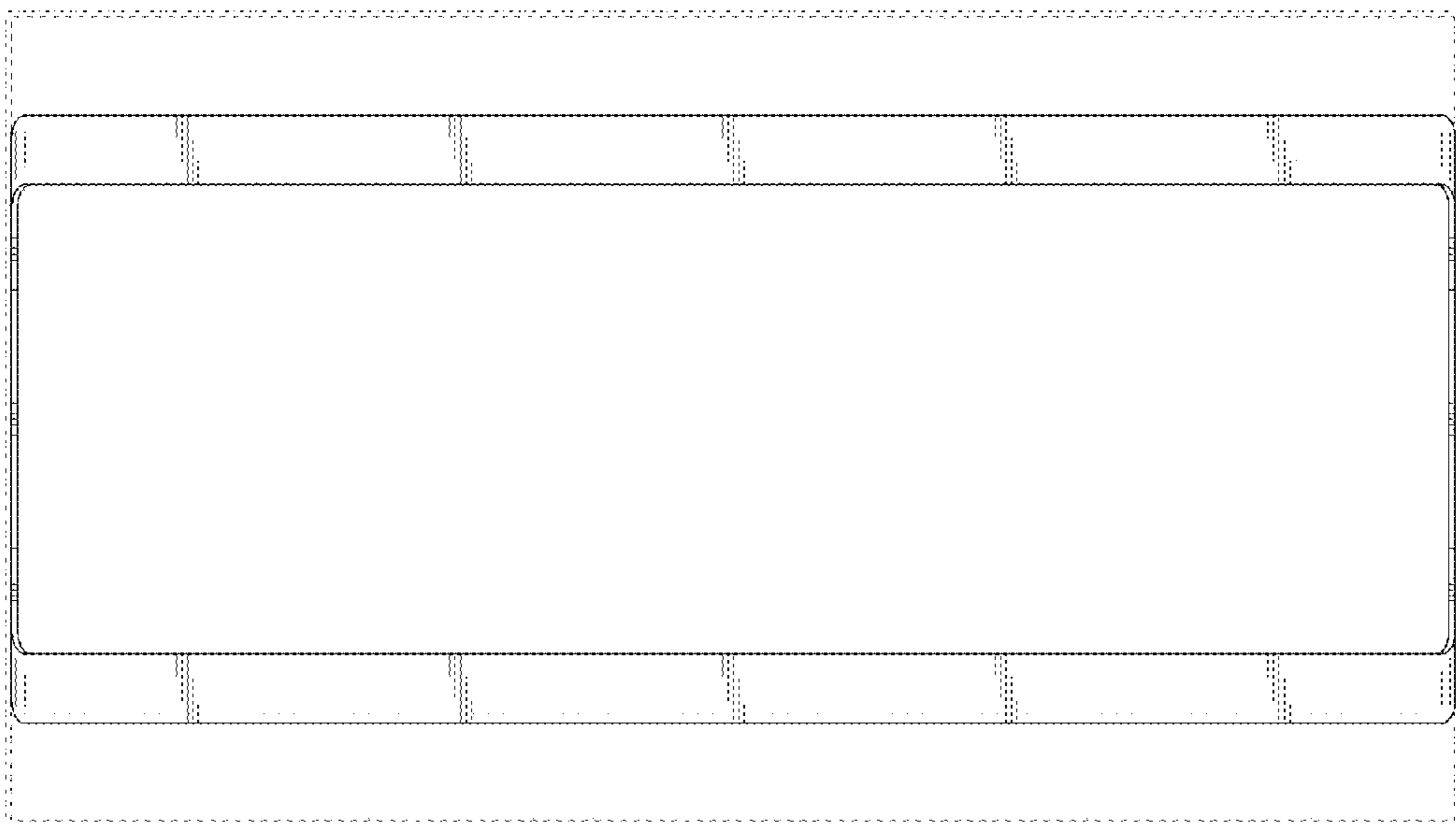


FIG. 7