



US00D730349S

(12) **United States Design Patent**
Burmeister-Brown et al.

(10) **Patent No.:** **US D730,349 S**
(45) **Date of Patent:** **** May 26, 2015**

(54) **HOUSING FOR A NETWORK DEVICE**

D447,649 S *	9/2001	Mason	D6/495
D552,607 S *	10/2007	Cleland et al.	D14/358
D575,734 S *	8/2008	Groh et al.	D13/119
D617,178 S *	6/2010	Sakai	D8/382
D634,714 S *	3/2011	Kim	D13/162
D684,136 S *	6/2013	Ohno	D14/203.6

(71) Applicant: **Open Mesh, Inc.**, Portland, OR (US)

* cited by examiner

(72) Inventors: **Michael D. Burmeister-Brown**,
Portland, OR (US); **Jeff Miller**, Portland,
OR (US)

OTHER PUBLICATIONS

Modular Hardware—Solutions, Web Archive [online] Dec. 10, 2012
[retrieved on Feb. 2, 2015]. Retrieved from the Internet <URL:
<https://web.archive.org/web/20121210041540/http://www.open-mesh.com/solutions/modular-wifi.html>>.*

(73) Assignee: **OPEN MESH, INC.**, Portland, OR (US)

Primary Examiner — Karen E Kearney

(**) Term: **14 Years**

(74) *Attorney, Agent, or Firm* — Perkins Coie LLP

(21) Appl. No.: **29/450,751**

(57) **CLAIM**

(22) Filed: **Mar. 21, 2013**

The ornamental design for a housing for a network device, as shown and described.

(51) **LOC (10) Cl.** **14-02**

DESCRIPTION

(52) **U.S. Cl.**

USPC **D14/358**; D14/240

(58) **Field of Classification Search**

CPC H04L 12/00; H03K 17/00; H04W 88/00;
H04W 88/005; H04W 88/02; H04W 88/08;
H04W 88/085; H04W 88/10; H04W 88/12;
H04W 88/14; H04B 1/38

USPC D14/300–302, 314, 348–370, 383–385,
D14/435, 496, 125, 135, 155, 240–242,
D14/299; D3/273, 319, 323, 328; D9/432;
D10/65, 75, 78; D13/103, 119, 162,
D13/184, 199; D6/708, 512, 513, 553

See application file for complete search history.

FIG. 1 is a top, side perspective view of an embodiment of a housing for a network device showing our new design in a first configuration.

FIG. 2 is a top plan view of the housing shown in FIG. 1.

FIG. 3 is a bottom plan view of the housing shown in FIG. 1.

FIG. 4 is a first side view of the housing shown in FIG. 1, the opposite side being a mirror image thereof.

FIG. 5 is a front view of the housing shown in FIG. 1, the back being a mirror image thereof.

FIG. 6 is a top, side perspective view of the housing shown in FIG. 1 in a second configuration.

FIG. 7 is a top, side perspective view of the housing shown in FIG. 6 in the context of additional environment showing a network device positioned within the housing and the housing connected to a T-bar of a suspended ceiling; and,

FIG. 8 is a top, side perspective view of the housing shown in FIG. 1 in the context of additional environment with the housing connected to a mounting plate.

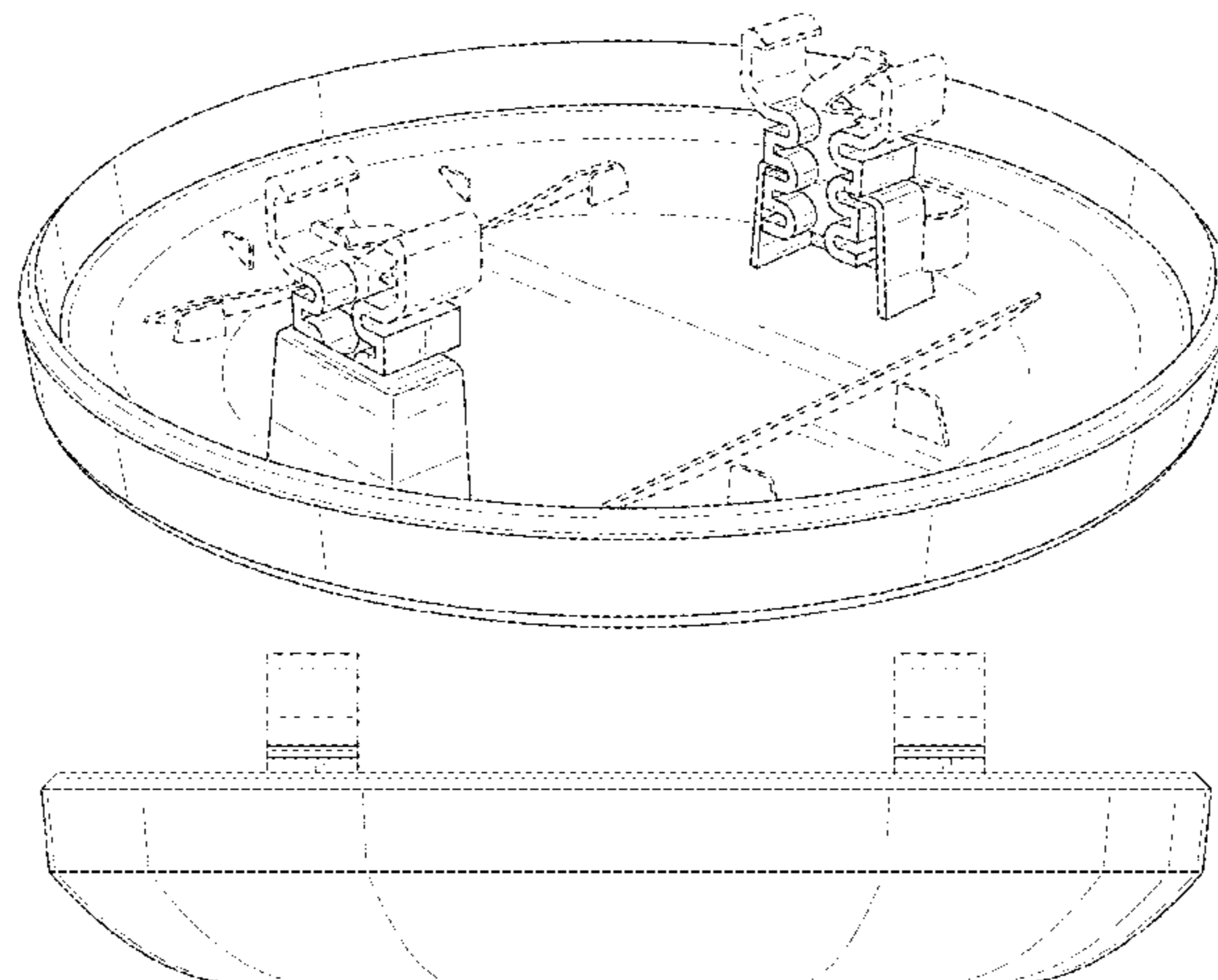
The details shown in broken lines illustrate portions of the housing for a network device that form no part of the claimed design.

(56) **References Cited**

U.S. PATENT DOCUMENTS

3,209,209 A *	9/1965	Mueller	361/773
D317,132 S *	5/1991	Knipfer et al.	D10/65
D364,295 S *	11/1995	Cooper	D6/495
D391,943 S *	3/1998	Han	D14/356
D391,944 S *	3/1998	Han	D14/356
D412,331 S *	7/1999	Nakamura	D14/155
D418,039 S *	12/1999	Correia	D8/330

1 Claim, 7 Drawing Sheets



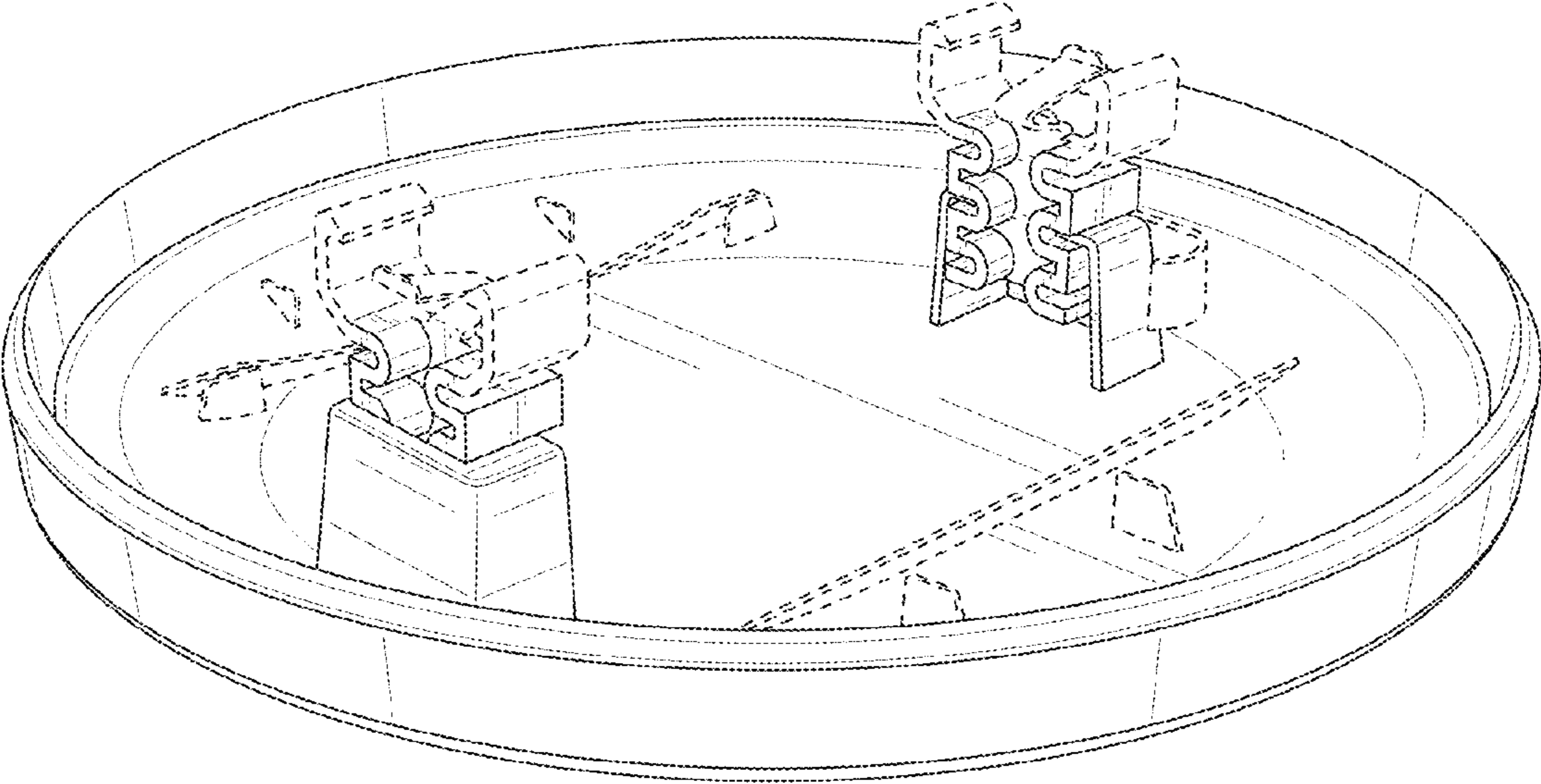


Fig. 1

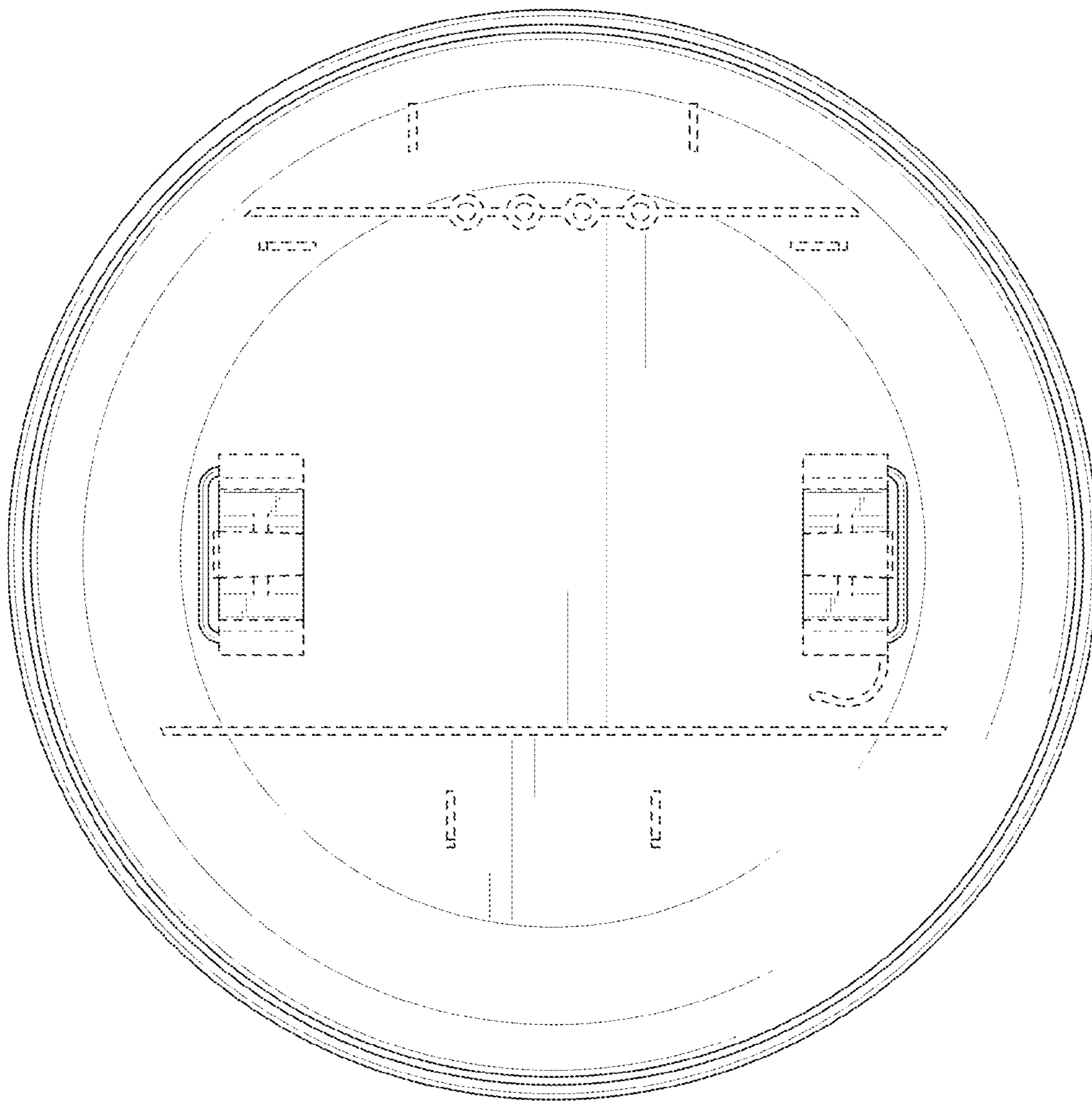


Fig. 2

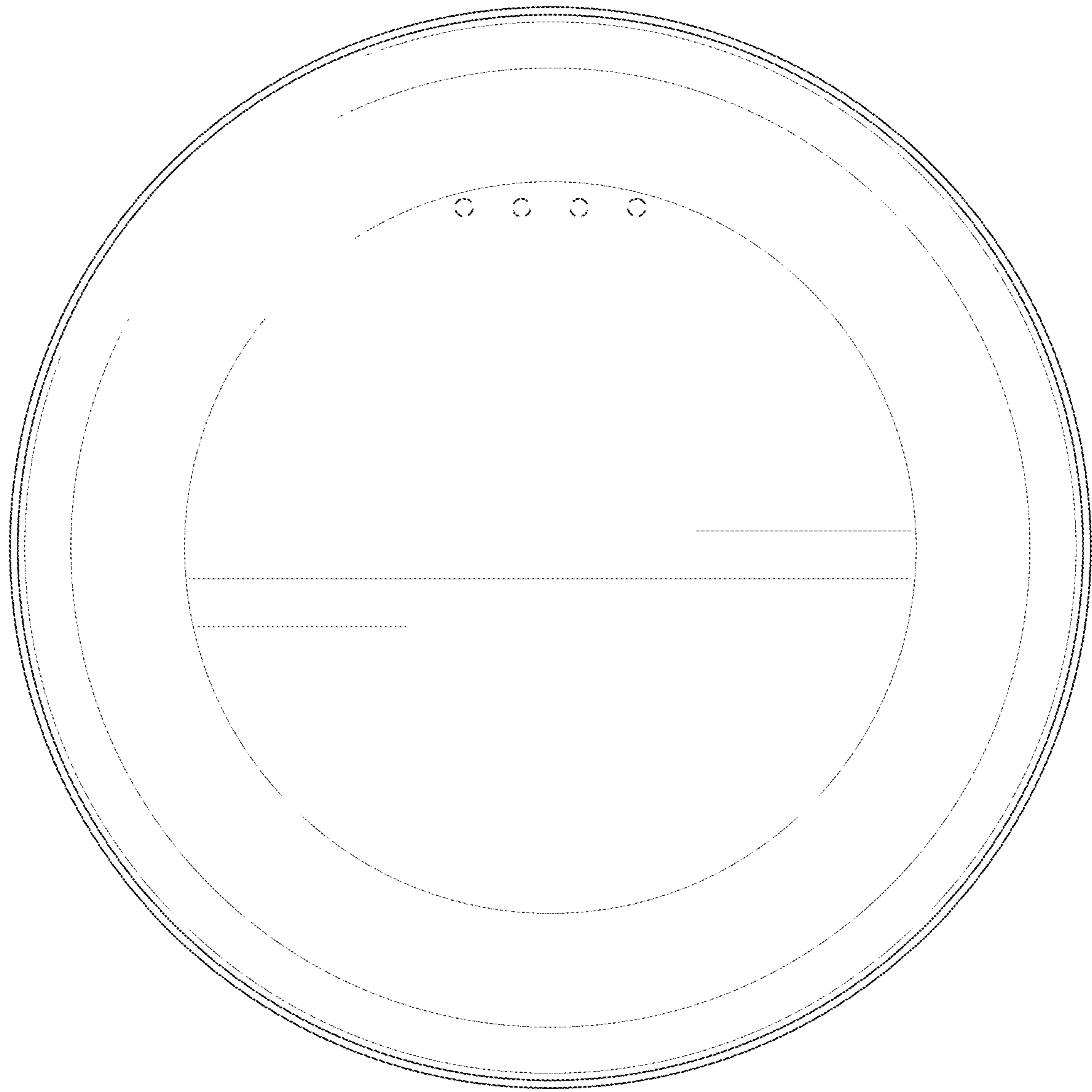


Fig. 3

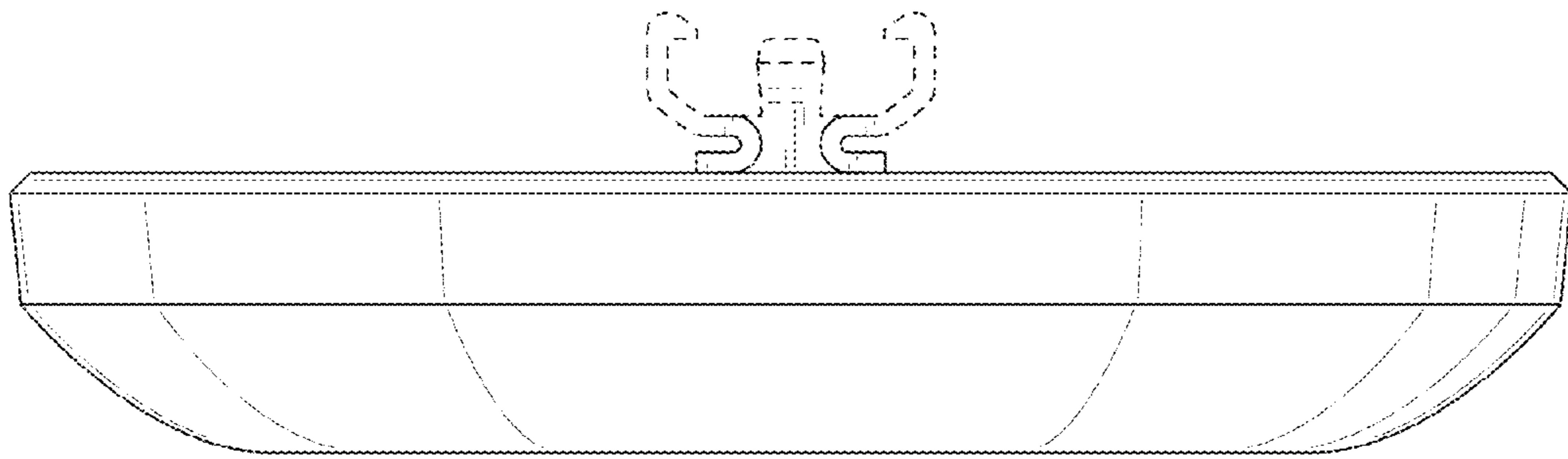


Fig. 4

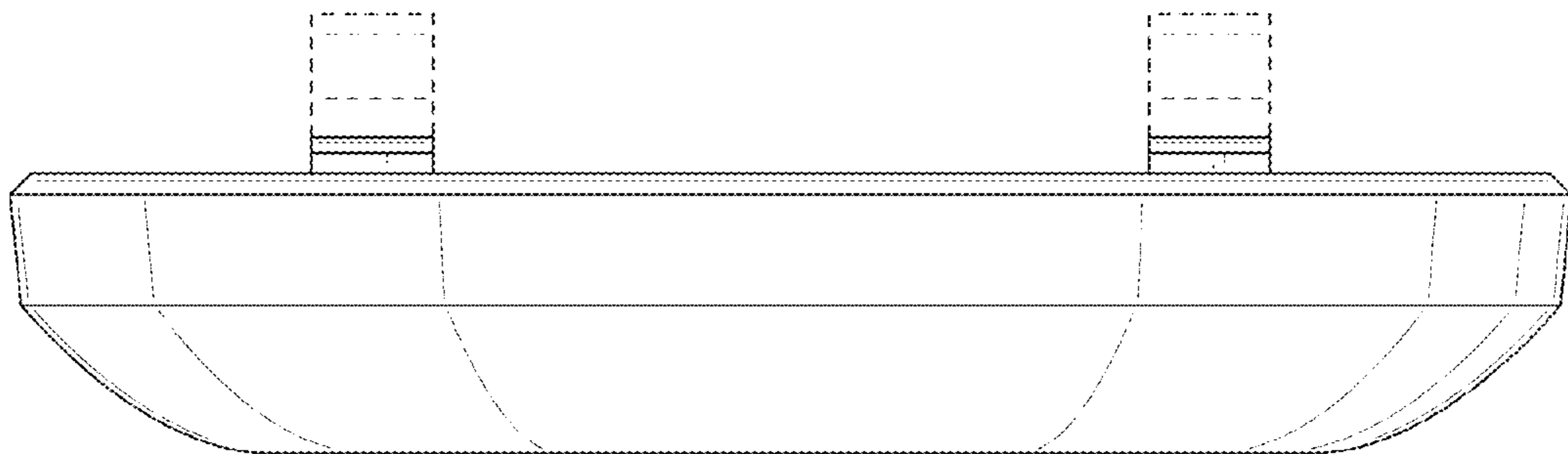


Fig. 5

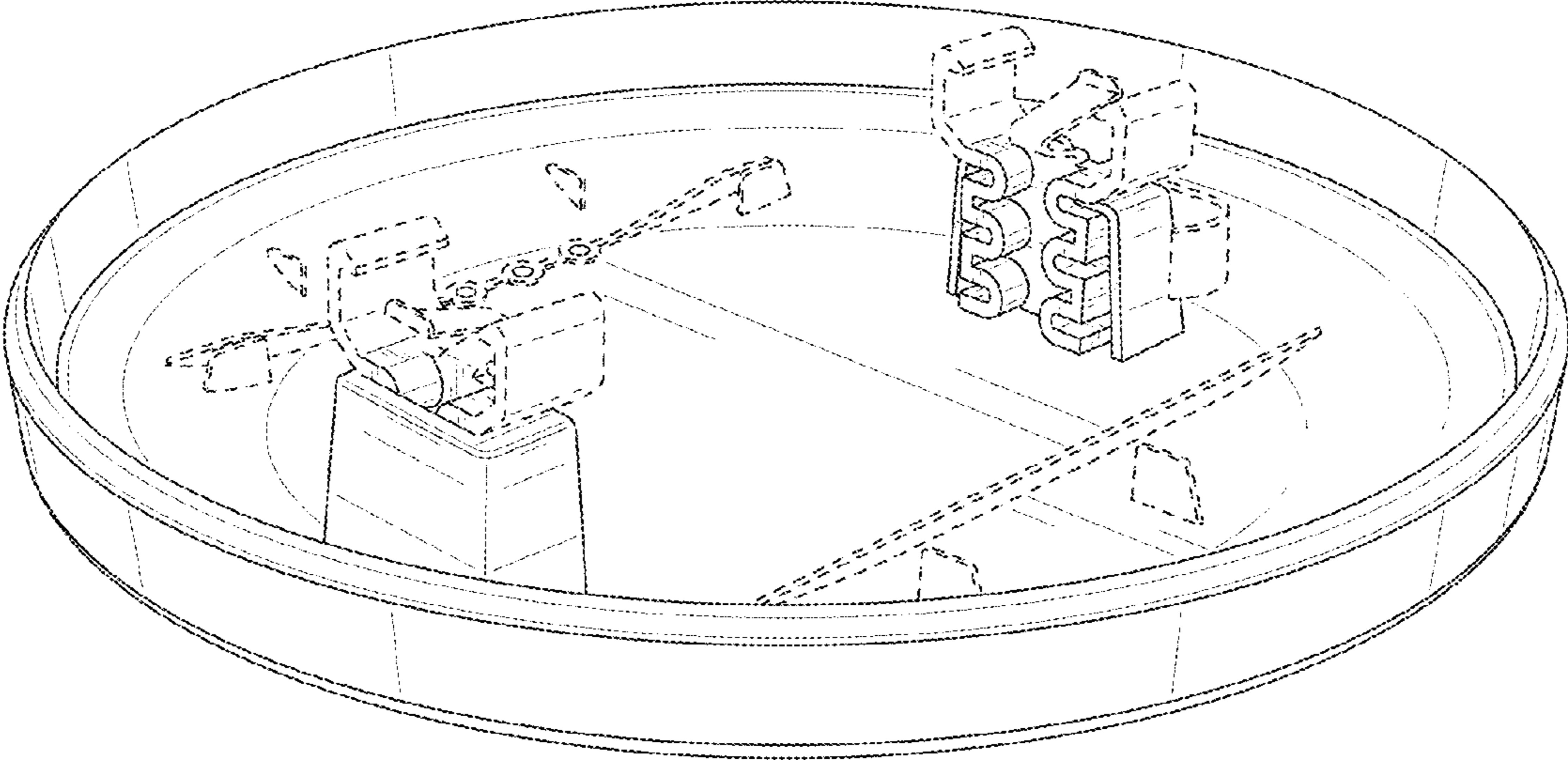


Fig. 6

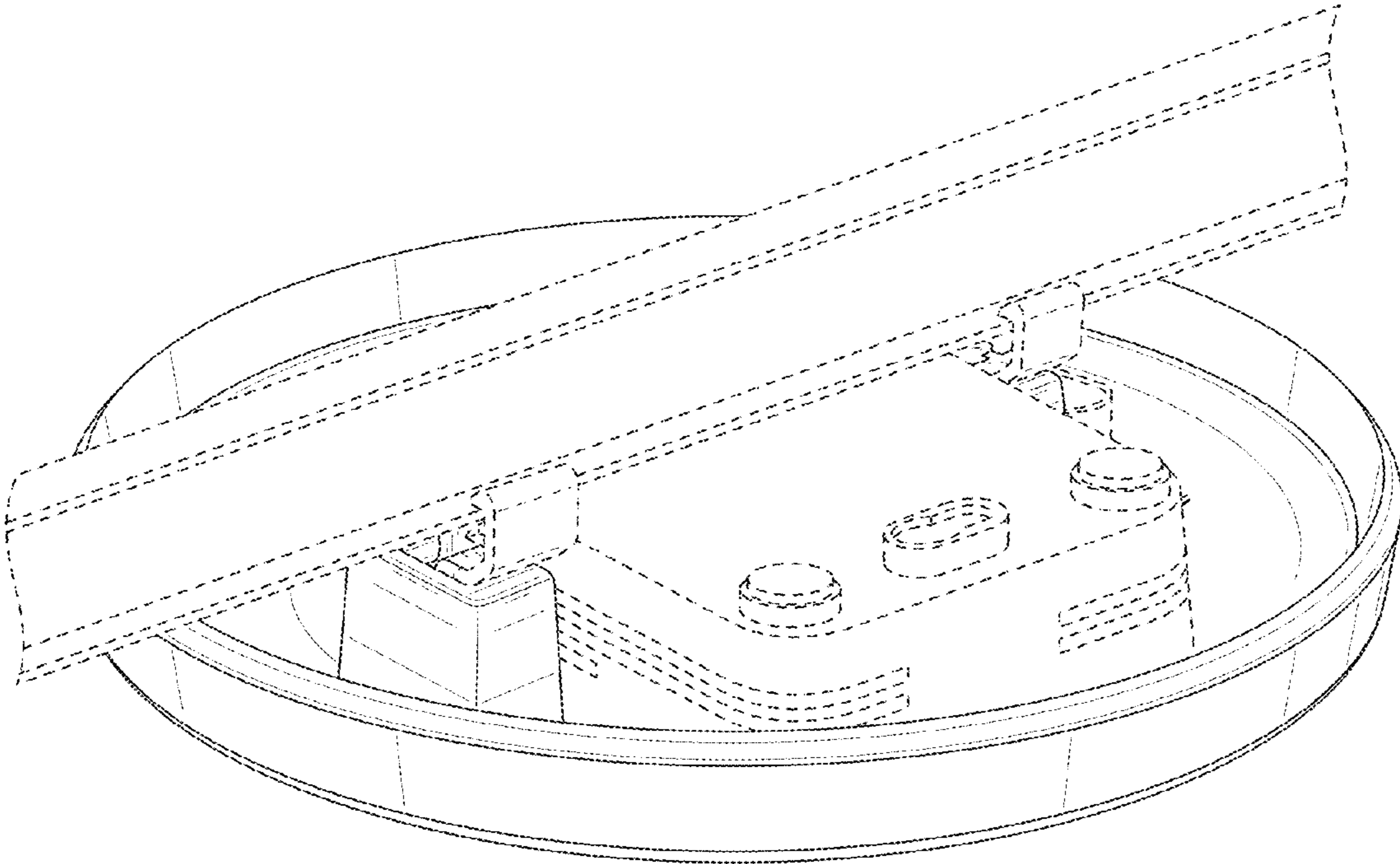


Fig. 7

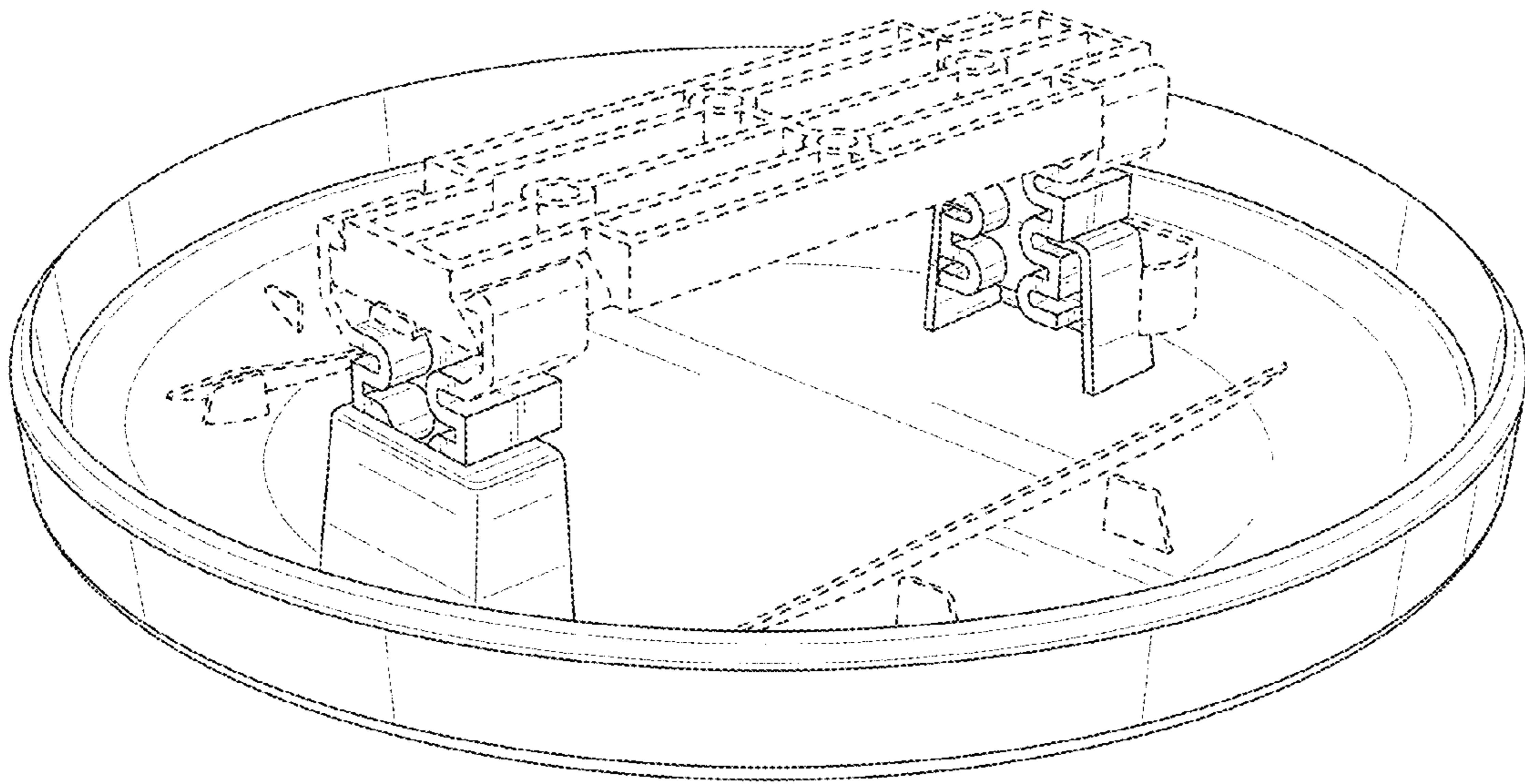


Fig. 8