



US00D730346S

(12) **United States Design Patent**
Lee et al.

(10) **Patent No.:** **US D730,346 S**
(45) **Date of Patent:** **** May 26, 2015**

(54) **PORTABLE COMPUTER**

(71) Applicant: **Samsung Electronics Co., Ltd.**,
Suwon-Si, Gyeonggi-do (KR)
(72) Inventors: **Son-Young Lee**, Seoul (KR); **Jun-Se Kim**, Gwank-gu (KR); **Won-Suk Chung**, Gangnam-gu (KR); **Sang-Won Yoon**, Seocho-gu (KR)

(73) Assignee: **Samsung Electronics Co., Ltd.**,
Suwon-Si (KR)

(**) Term: **14 Years**

(21) Appl. No.: **29/457,859**

(22) Filed: **Jun. 13, 2013**

(30) **Foreign Application Priority Data**

Dec. 14, 2012 (KR) 30-2012-0060488

(51) **LOC (10) Cl.** **14-02**

(52) **U.S. Cl.**
USPC **D14/341**

(58) **Field of Classification Search**
CPC A63H 33/3016; G06F 1/1613; H04M
1/0202; H04M 1/0279; H04M 1/0281; H04M
1/0283

USPC D14/341-347, 137, 138 R, 138 AA,
D14/138 C, 138 G, 496, 203.1, 203.3, 203.4,
D14/203.7, 129, 130, 147, 218, 247, 248,
D14/250, 374, 385, 388, 389, 315-318, 420,
D14/426, 439; D10/65, 104.1; D21/324,
D21/329, 330, 332; 455/556.1, 556.2, 566,
455/575.1, 90.3; 379/433.04, 433.01,
379/433.06, 916; 345/173, 901, 905;
361/679.26, 679.27, 679.3, 679.55,
361/679.56; D6/308, 310; 463/37;
248/917-924; 348/376; D19/26, 59-60

See application file for complete search history.

(56) **References Cited**

U.S. PATENT DOCUMENTS

D270,061 S 8/1983 Akeret
D284,084 S 6/1986 Ferrara, Jr.
D306,583 S 3/1990 Krolopp et al.
D333,574 S 3/1993 Akeret

(Continued)

FOREIGN PATENT DOCUMENTS

KR 3005506890000 1/2010
KR 3005544080000 2/2010

(Continued)

OTHER PUBLICATIONS

Design U.S. Appl. No. 29/457,870 Inventor: Son-Young Lee, et al.,
filed Jun. 13, 2013 entitled Body of Portable Computer.

(Continued)

Primary Examiner — Barbara Fox

Assistant Examiner — Dana K Weiland

(74) *Attorney, Agent, or Firm* — Wood, Herron & Evans,
LLP

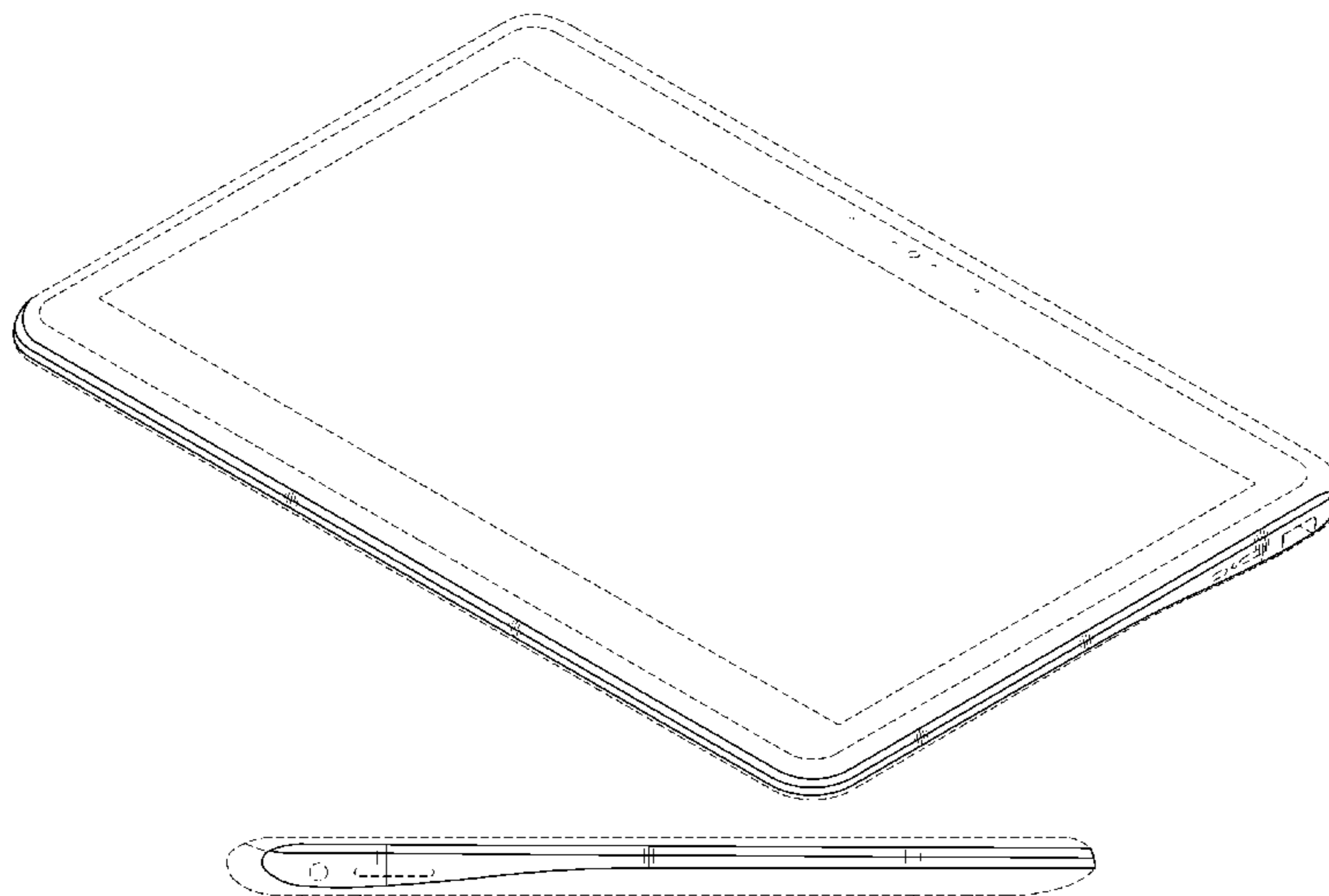
(57) **CLAIM**

The ornamental design for a portable computer, as shown and
described.

DESCRIPTION

FIG. 1 is a right front perspective view of a portable computer
showing our new design;
FIG. 2 is a bottom view thereof;
FIG. 3 is a top view thereof;
FIG. 4 is a left view thereof;
FIG. 5 is a right view thereof;
FIG. 6 is a front view thereof; and,
FIG. 7 is a rear view thereof.
The broken lines illustrating portions of the portable com-
puter form no part of the claimed design.

1 Claim, 4 Drawing Sheets



(56)

References Cited

U.S. PATENT DOCUMENTS

| | | | | | | |
|--------------|---------|------------------|--------------|---------|------------------------------|---------|
| D337,569 S | 7/1993 | Kando | D641,018 S | 7/2011 | Lee et al. | |
| 5,267,123 A | 11/1993 | Boothroyd et al. | 7,986,983 B2 | 7/2011 | Harmon et al. | |
| 5,887,723 A | 3/1999 | Myles et al. | D645,465 S | 9/2011 | Lin et al. | |
| D416,238 S | 11/1999 | Irie et al. | D645,833 S | 9/2011 | Seflic et al. | |
| 6,067,224 A | 5/2000 | Nobuchi | D646,902 S | 10/2011 | Woo et al. | |
| 6,259,597 B1 | 7/2001 | Anzai et al. | D650,381 S | 12/2011 | Park et al. | |
| D460,759 S | 7/2002 | West et al. | D651,206 S | 12/2011 | Kim et al. | |
| D463,797 S | 10/2002 | Andre et al. | D651,597 S * | 1/2012 | Lee et al. | D14/315 |
| 6,519,139 B2 | 2/2003 | Kambayashi | D651,598 S | 1/2012 | Kim et al. | |
| D490,420 S | 5/2004 | Solomon et al. | D651,599 S | 1/2012 | Kim et al. | |
| 6,775,129 B1 | 8/2004 | Ghosh et al. | D651,600 S * | 1/2012 | Lee et al. | D14/315 |
| 6,781,819 B2 | 8/2004 | Yang et al. | D652,415 S | 1/2012 | Lee et al. | |
| 6,785,128 B1 | 8/2004 | Yun | D652,416 S | 1/2012 | Park et al. | |
| D499,704 S | 12/2004 | Song | D652,417 S | 1/2012 | Lee et al. | |
| 6,829,140 B2 | 12/2004 | Shimano et al. | D652,831 S | 1/2012 | Lee et al. | |
| D500,991 S | 1/2005 | Niitsu | D654,073 S | 2/2012 | Li | |
| D504,889 S | 5/2005 | Andre et al. | D654,468 S | 2/2012 | Duan et al. | |
| D517,545 S | 3/2006 | Buckel et al. | D654,498 S | 2/2012 | Hwang et al. | |
| D532,791 S | 11/2006 | Kim | D654,893 S | 2/2012 | Jung | |
| D540,790 S | 4/2007 | Kim et al. | D657,785 S | 4/2012 | Lee et al. | |
| D558,460 S | 1/2008 | Yu et al. | D658,173 S | 4/2012 | Kim | |
| D563,804 S | 3/2008 | Kimura et al. | D659,692 S | 5/2012 | Jung et al. | |
| D564,511 S | 3/2008 | Akhtar | D661,294 S | 6/2012 | Park et al. | |
| D579,930 S | 11/2008 | Maskatia | D661,295 S | 6/2012 | Park et al. | |
| D584,738 S | 1/2009 | Kim et al. | D661,298 S | 6/2012 | Park et al. | |
| D587,710 S | 3/2009 | Han | D661,299 S | 6/2012 | Kim et al. | |
| D588,126 S | 3/2009 | Chiang et al. | D661,300 S | 6/2012 | Kim et al. | |
| D589,511 S | 3/2009 | Han | D661,301 S | 6/2012 | Kim et al. | |
| D589,958 S | 4/2009 | Han | D661,302 S | 6/2012 | Fukasawa et al. | |
| D590,374 S | 4/2009 | Madonna et al. | D663,281 S | 7/2012 | Hwang | |
| D592,212 S | 5/2009 | Hamada et al. | D663,298 S | 7/2012 | Song et al. | |
| D592,214 S | 5/2009 | Bradford | D664,532 S | 7/2012 | Lee | |
| 7,542,284 B1 | 6/2009 | Wilson, Sr. | D664,533 S | 7/2012 | Lee et al. | |
| D601,138 S | 9/2009 | Solomon et al. | D664,534 S | 7/2012 | Lee et al. | |
| D602,014 S | 10/2009 | Andre et al. | D664,535 S | 7/2012 | Lee et al. | |
| D602,487 S | 10/2009 | Maskatia | D664,540 S | 7/2012 | Kim et al. | |
| D604,291 S | 11/2009 | Andre et al. | D664,954 S | 8/2012 | Kim et al. | |
| D605,626 S | 12/2009 | Park | D664,955 S | 8/2012 | Kim et al. | |
| D606,539 S | 12/2009 | Liao et al. | D666,198 S | 8/2012 | Van Den Nieuwenhuizen et al. | |
| D606,961 S | 12/2009 | Aarras | D667,396 S | 9/2012 | Koh | |
| D610,582 S | 2/2010 | Sugitani et al. | D667,397 S | 9/2012 | Koh | |
| D611,364 S | 3/2010 | Lenz et al. | D667,398 S | 9/2012 | Koh | |
| D613,510 S | 4/2010 | Tzeng et al. | D667,399 S | 9/2012 | Koh | |
| D613,951 S | 4/2010 | Tang et al. | D667,825 S | 9/2012 | Jung | |
| D613,961 S | 4/2010 | Lin | D668,650 S | 10/2012 | Han | |
| D616,440 S | 5/2010 | Lee | D668,651 S | 10/2012 | Kim et al. | |
| D616,886 S | 6/2010 | Andre et al. | D669,070 S | 10/2012 | Hsu et al. | |
| D617,793 S | 6/2010 | Chiang et al. | D669,468 S | 10/2012 | Akana et al. | |
| D622,270 S | 8/2010 | Andre et al. | D669,469 S | 10/2012 | Kang | |
| D624,914 S | 10/2010 | Wang | D670,286 S | 11/2012 | Akana et al. | |
| D625,306 S | 10/2010 | Miyawaki | D670,692 S | 11/2012 | Akana et al. | |
| D626,124 S | 10/2010 | Chyan et al. | D671,111 S | 11/2012 | Kim et al. | |
| D626,437 S | 11/2010 | Lee et al. | D671,514 S | 11/2012 | Kim et al. | |
| D627,667 S | 11/2010 | Lenz et al. | D671,536 S | 11/2012 | Fukasawa et al. | |
| D628,913 S | 12/2010 | Cheng | D671,538 S | 11/2012 | Kim et al. | |
| D629,771 S | 12/2010 | Haspil et al. | D671,539 S | 11/2012 | Kim et al. | |
| D629,799 S | 12/2010 | Andre et al. | D672,344 S | 12/2012 | Li | |
| D630,636 S | 1/2011 | Jeon et al. | D672,345 S | 12/2012 | Li | |
| D631,455 S | 1/2011 | Kim et al. | D672,768 S | 12/2012 | Huang et al. | |
| D631,469 S | 1/2011 | Demskie et al. | D673,561 S | 1/2013 | Hyun et al. | |
| D633,498 S | 3/2011 | Andre et al. | D673,950 S | 1/2013 | Li et al. | |
| D634,318 S | 3/2011 | Buckle et al. | D674,384 S | 1/2013 | Zhang | |
| D634,745 S | 3/2011 | Park et al. | D675,203 S | 1/2013 | Yang | |
| 7,916,889 B2 | 3/2011 | Takakusaki | D676,538 S | 2/2013 | Fehring | |
| D636,391 S | 4/2011 | Shen et al. | D677,181 S | 3/2013 | Lenz et al. | |
| D636,769 S | 4/2011 | Wood et al. | D677,255 S | 3/2013 | McManigal et al. | |
| D636,770 S | 4/2011 | Li | D677,660 S | 3/2013 | Groene et al. | |
| D638,392 S | 5/2011 | Price et al. | D678,271 S | 3/2013 | Chiu | |
| D638,412 S | 5/2011 | Lee | D680,533 S | 4/2013 | Song et al. | |
| D639,226 S | 6/2011 | Juergens et al. | D682,264 S | 5/2013 | Kim et al. | |
| D639,804 S | 6/2011 | Hwang et al. | D682,821 S | 5/2013 | Kim et al. | |
| D639,805 S | 6/2011 | Song et al. | D682,822 S | 5/2013 | Kim et al. | |
| D639,806 S | 6/2011 | Lee et al. | D682,823 S | 5/2013 | Park et al. | |
| D640,220 S | 6/2011 | Shyu et al. | D682,824 S * | 5/2013 | Kim et al. | D14/315 |
| D640,255 S | 6/2011 | Lee et al. | D682,825 S | 5/2013 | Kim et al. | |
| | | | D682,826 S | 5/2013 | Kim et al. | |
| | | | D682,827 S | 5/2013 | Park et al. | |
| | | | D682,828 S | 5/2013 | Kim et al. | |
| | | | D686,202 S | 7/2013 | Lee et al. | |

(56)

References Cited

U.S. PATENT DOCUMENTS

| | | | | |
|--------------|----|-----------|-----------------|-----------|
| D686,203 | S | 7/2013 | Lee et al. | |
| D692,880 | S | * 11/2013 | Song et al. | D14/341 |
| D695,250 | S | * 12/2013 | Kim et al. | D14/138 G |
| D697,063 | S | * 1/2014 | Lee et al. | D14/315 |
| D697,908 | S | * 1/2014 | Kim et al. | D14/315 |
| D698,353 | S | * 1/2014 | Choi | D14/341 |
| D698,356 | S | * 1/2014 | Park | D14/345 |
| D700,605 | S | * 3/2014 | Hong | D14/341 |
| D702,229 | S | * 4/2014 | Lim et al. | D14/341 |
| D705,777 | S | * 5/2014 | Groene et al. | D14/341 |
| D706,760 | S | * 6/2014 | Jung et al. | D14/315 |
| D706,770 | S | * 6/2014 | Kim | D14/327 |
| D708,606 | S | * 7/2014 | Kim | D14/315 |
| D708,607 | S | * 7/2014 | Lee et al. | D14/315 |
| D709,490 | S | * 7/2014 | Lee et al. | D14/315 |
| D714,779 | S | * 10/2014 | Lee et al. | D14/315 |
| D715,286 | S | * 10/2014 | Lee et al. | D14/315 |
| 2003/0048595 | A1 | 3/2003 | Hsieh et al. | |
| 2003/0151888 | A1 | 8/2003 | Chien et al. | |
| 2005/0018396 | A1 | 1/2005 | Nakajima et al. | |
| 2005/0041378 | A1 | 2/2005 | Hamada et al. | |
| 2009/0231292 | A1 | 9/2009 | Hsieh et al. | |
| 2011/0074740 | A1 | 3/2011 | Liu | |
| 2011/0294555 | A1 | 12/2011 | Happonen et al. | |
| 2012/0092195 | A1 | 4/2012 | Lin | |

FOREIGN PATENT DOCUMENTS

| | | |
|----|---------------|---------|
| KR | 3005639120000 | 6/2010 |
| KR | 3005639130000 | 6/2010 |
| KR | 3005680110000 | 7/2010 |
| KR | 3005804720000 | 11/2010 |
| KR | 3005869900000 | 1/2011 |
| KR | 3005942330000 | 3/2011 |
| KR | 3005958550000 | 4/2011 |
| KR | 3005985190000 | 5/2011 |
| KR | 3005994750000 | 5/2011 |
| KR | 3006004150000 | 5/2011 |
| KR | 3006004300000 | 5/2011 |
| KR | 3006013110001 | 6/2011 |
| KR | 3006013130000 | 6/2011 |
| KR | 3006013160000 | 6/2011 |
| KR | 3006013170000 | 6/2011 |
| KR | 3006046440000 | 7/2011 |
| KR | 3006052790000 | 7/2011 |
| KR | 3006052810000 | 7/2011 |
| KR | 3006052820000 | 7/2011 |
| KR | 3006052830000 | 7/2011 |
| KR | 3006059710000 | 7/2011 |
| KR | 3006063210000 | 7/2011 |
| KR | 3006064090000 | 7/2011 |
| KR | 3006083610000 | 8/2011 |
| KR | 3006083630000 | 8/2011 |
| KR | 3006083640000 | 8/2011 |
| KR | 3006083650000 | 8/2011 |
| KR | 3006083710000 | 8/2011 |
| KR | 3006083730000 | 8/2011 |
| KR | 3006085180000 | 8/2011 |

OTHER PUBLICATIONS

Design U.S. Appl. No. 29/457,871 Inventor: Son-Young Lee, et al., filed Jun. 13, 2013 entitled Display for a Portable Computer.
 Design U.S. Appl. No. 29/457,873 Inventor: Son-Young Lee, et al., filed Jun. 13, 2013 entitled Portable Computer.
 Design U.S. Appl. No. 29/457,874 Inventor: Won-Suk Chung, et al., filed Jun. 13, 2013 entitled Body of Portable Computer.
 Design U.S. Appl. No. 29/457,875 Inventor: Son-Young Lee, et al., filed Jun. 13, 2013 entitled Display for a Portable Computer.
 Design U.S. Appl. No. 29/458,186 Inventor: Ji-Eun Myung, et al., filed Jun. 28, 2013 entitled Portable Computer.
 Design U.S. Appl. No. 29/458,191 Inventor: Ji-Eun Myung, et al., filed Jun. 28, 2013 entitled Portable Computer.

Design U.S. Appl. No. 29/458,200 Inventor: Ji-Eun Myung, et al., filed Jun. 28, 2013 entitled Body of Portable Computer.
 Design U.S. Appl. No. 29/458,204 Inventor: Ji-Eun Myung, et al., filed Jun. 28, 2013 entitled Portable Computer.
 Design U.S. Appl. No. 29/458,206 Inventor: Ji-Eun Myung, et al., filed Jun. 28, 2013 entitled Body of Portable Computer.
 Design U.S. Appl. No. 29/458,207 Inventor: Ji-Eun Myung, et al., filed Jun. 28, 2013 entitled Display for a Portable Computer.
 Design U.S. Appl. No. 29/458,277 Inventor: Ji-Eun Myung, et al., filed Jun. 28, 2013 entitled Display for a Portable Computer.
 Design U.S. Appl. No. 29/458,285 Inventor: Ji-Eun Myung, et al., filed Jun. 28, 2013 entitled Display for a Portable Computer.
 Design U.S. Appl. No. 29/458,289 Inventor: Ji-Eun Myung, et al., filed Jun. 28, 2013 entitled Body of Portable Computer.
 Design U.S. Appl. No. 29/458,290 Inventor: Ji-Eun Myung, et al., filed Jun. 28, 2013 entitled Display for a Portable Computer.
 Design U.S. Appl. No. 29/452,596 Inventor: Son-Young Lee, et al., filed Apr. 18, 2013 entitled Portable Computer.
 Design U.S. Appl. No. 29/405,537 Applicant: Ik-Sang Kim, et al., filed Nov. 3, 2011 entitled Tablet Computer.
 Design U.S. Appl. No. 29/407,975 Applicant: Bum-Ho Chun, et al., filed Dec. 6, 2011 entitled Tablet Computer.
 Design U.S. Appl. No. 29/407,982 Applicant: EunuaeShally Lee, et al., filed Dec. 6, 2011 entitled Tablet Computer.
 Design U.S. Appl. No. 29/407,984 Applicant: So-Yoon Jeon, et al., filed Dec. 6, 2011 entitled Tablet Computer.
 Design U.S. Appl. No. 29/408,017 Applicant: Jae-Seung Song, et al., filed Dec. 6, 2011 entitled Tablet Computer.
 Design U.S. Appl. No. 29/416,029 Applicant: Min-Jung Kim, et al., filed Mar. 16, 2012 entitled Tablet Computer.
 Design U.S. Appl. No. 29/416,032 Applicant: Min-Jung Kim, et al., filed Mar. 16, 2012 entitled Tablet Computer.
 Design U.S. Appl. No. 29/418,670 Applicant: Byeong-Yong Song, et al., filed Apr. 19, 2012 entitled Tablet Computer.
 Design U.S. Appl. No. 29/419,893 Applicant: Ik-Sang Kim, et al., filed May 2, 2012 entitled Slate Computer.
 Design U.S. Appl. No. 29/419,907 Applicant: Ik-Sang Kim, et al., filed May 2, 2012 entitled Slate Computer.
 Design U.S. Appl. No. 29/419,911 Applicant: Min-Jung Kim, et al., filed May 2, 2012 entitled Tablet Computer.
 Design U.S. Appl. No. 29/420,669 Applicant: Woo-Teik Lim, et al., filed May 11, 2012 entitled Tablet Computer.
 Design U.S. Appl. No. 29/422,581 Applicant: Jung-Hyun Park, et al., filed May 22, 2012 entitled Notebook Computer.
 Design U.S. Appl. No. 29/422,594 Applicant: Jung-Hyun Park, et al., filed May 22, 2012 entitled Notebook Computer.
 Design U.S. Appl. No. 29/422,779 Applicant: Tae-Yun Kim, et al., filed May 23, 2012 entitled Notebook Computer.
 Design U.S. Appl. No. 29/424,453 Applicant: Se-O Lee, et al., filed Jun. 12, 2012 entitled Notebook Computer.
 Design U.S. Appl. No. 29/424,462 Applicant: Sang-Eun Lee, et al., filed Jun. 12, 2012 entitled Netbook Computer.
 Design U.S. Appl. No. 29/425,225 Applicant: Seung-Ho Jung, et al., filed Jun. 20, 2012 entitled Portable Computer.
 Design U.S. Appl. No. 29/425,732 Applicant: Ji-Sang Park, et al., filed Jun. 26, 2012 entitled Portable Computer.
 Design U.S. Appl. No. 29/425,977 Applicant: Ji-Sang Park, et al., filed Jun. 28, 2012 entitled Tablet Computer.
 Design U.S. Appl. No. 29/425,978 Applicant: Woo-Teik Lim, et al., filed Jun. 28, 2012 entitled Tablet Computer.
 Design U.S. Appl. No. 29/427,736 Applicant: Min-Jung Kim, et al., filed Jul. 21, 2012 entitled Tablet Computer.
 Design U.S. Appl. No. 29/431,774 Applicant: Sang-Eun Lee, et al., filed Sep. 11, 2012 entitled Tablet Computer.
 Design U.S. Appl. No. 29/435,870 Inventor: Son-Young Lee, et al., filed Oct. 30, 2012 entitled Portable Computer.
 Design U.S. Appl. No. 29/435,889 Inventor: Dong-Seok Lee, et al., filed Oct. 30, 2012 entitled Portable Computer.
 Design U.S. Appl. No. 29/438,934 Inventor: Ik-Sang Kim, et al., filed Dec. 5, 2012 entitled Slate Computer.
 Design U.S. Appl. No. 29/438,948 Inventor: Chung-Ha Kim, et al., filed Dec. 5, 2012 entitled Portable Computer.

(56)

References Cited

OTHER PUBLICATIONS

Design U.S. Appl. No. 29/438,951 Inventor: Chung-Ha Kim, et al., filed Dec. 5, 2012 entitled Portable Computer.
Design U.S. Appl. No. 29/441,093 Inventor: Chang-Ho Lee, et al., filed Dec. 31, 2012 entitled Portable Computer.
Design U.S. Appl. No. 29/441,101 Inventor: Chang-Ho Lee, et al., filed Dec. 31, 2012 entitled Portable Computer.
Design U.S. Appl. No. 29/441,112 Inventor: Chang-Ho Lee, et al., filed Dec. 31, 2012 entitled Portable Computer.
Design U.S. Appl. No. 29/441,114 Inventor: Chang-Ho Lee, et al., filed Dec. 31, 2012 entitled Portable Computer.
Design U.S. Appl. No. 29/441,179 Inventor: Chang-Ho Lee, et al., filed Jan. 2, 2013 entitled Portable Computer.
Design U.S. Appl. No. 29/452,297 Inventor: Min-Hee Lee, et al., filed Apr. 15, 2013 entitled Notebook Computer.
Design U.S. Appl. No. 29/452,583 Inventor: Seung-Ho Jung, et al., filed Apr. 18, 2013 entitled Portable Computer.
Design U.S. Appl. No. 29/452,586 Inventor: Seung-Ho Jung, et al., filed Apr. 18, 2013 entitled Portable Computer.
Design U.S. Appl. No. 29/452,588 Inventor: Chung-Ha Kim, et al., filed Apr. 18, 2013 entitled Portable Computer.
Design U.S. Appl. No. 29/452,592 Inventor: Son-Young Lee, et al., filed Apr. 18, 2013 entitled Portable Computer.

Design U.S. Appl. No. 29/452,593 Inventor: Woo-Teik Lim, et al., filed Apr. 18, 2013 entitled Slate Computer.
Design U.S. Appl. No. 29/452,594 Inventor: Son-Young Lee, et al., filed Apr. 18, 2013 entitled Portable Computer.
Design U.S. Appl. No. 29/452,595 Inventor: Ho-Young Seoc, et al., filed Apr. 18, 2013 entitled Slate Computer.
Design U.S. Appl. No. 29/452,601 Inventor: Ji-Sang Park, et al., filed Apr. 18, 2013 entitled Portable Computer.
Design U.S. Appl. No. 29/456,501 Inventor: Se-Hun Oh, et al., filed May 31, 2013 entitled Portable Computer.
Design U.S. Appl. No. 29/457,839 Inventor: Son-Young Lee, et al., filed Jun. 13, 2013 entitled Portable Computer.
Design U.S. Appl. No. 29/457,846 Inventor: Son-Young Lee, et al., filed Jun. 13, 2013 entitled Body of Portable Computer.
Design U.S. Appl. No. 29/457,848 Inventor: Son-Young Lee, et al., filed Jun. 13, 2013 entitled Portable Computer.
Design U.S. Appl. No. 29/457,852 Inventor: Son-Young Lee, et al., filed Jun. 13, 2013 entitled Body of Portable Computer.
Design U.S. Appl. No. 29/452,587 Inventor: Sung-Jin Yum, et al., filed Apr. 18, 2013 entitled Portable Computer.
Design U.S. Appl. No. 29/457,864 Inventor: Son-Young Lee, et al., filed Jun. 13, 2013 entitled Portable Computer.
Design U.S. Appl. No. 29/457,867 Inventor: Son-Young Lee, et al., filed Jun. 13, 2013 entitled Portable Computer.

* cited by examiner

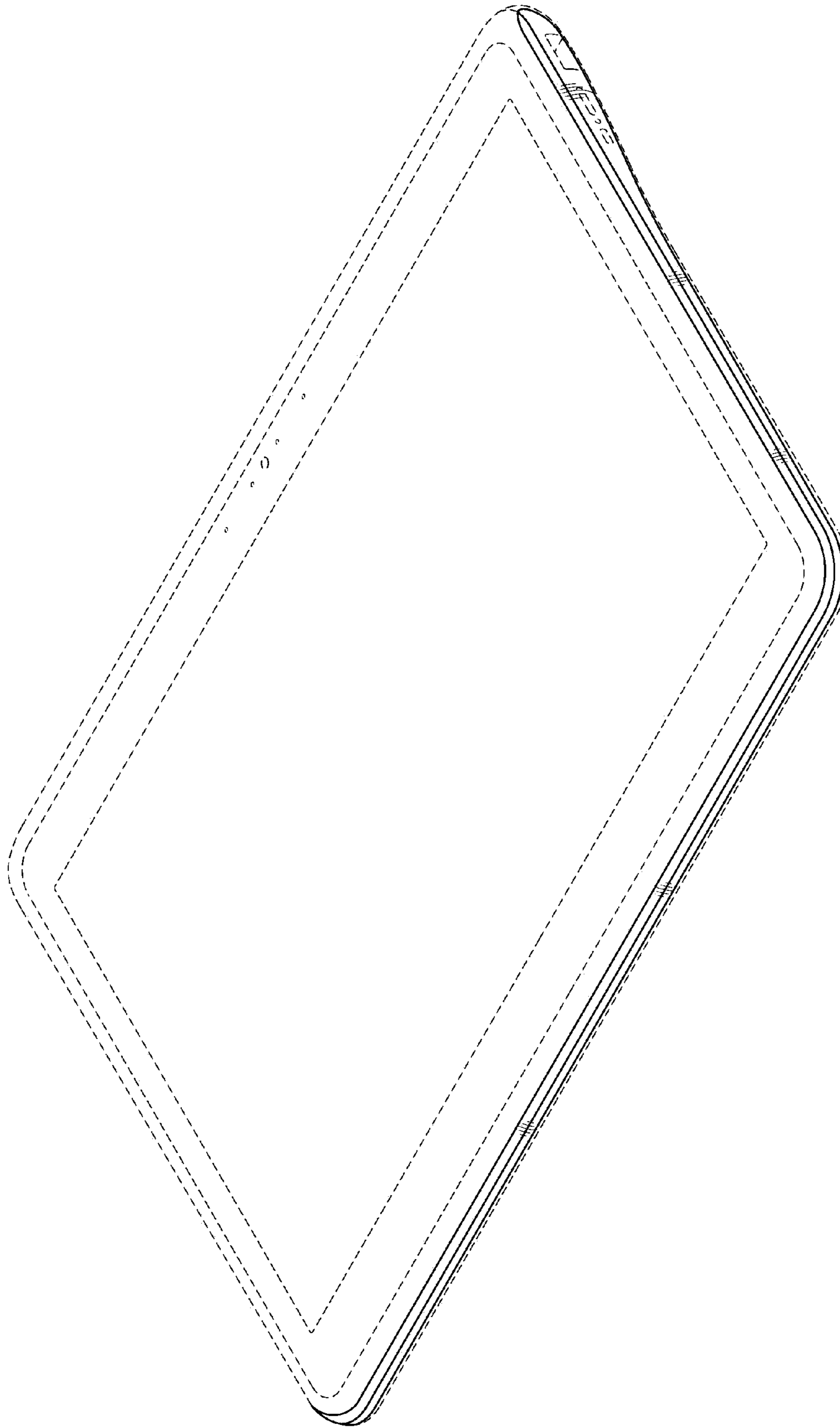


FIG.1

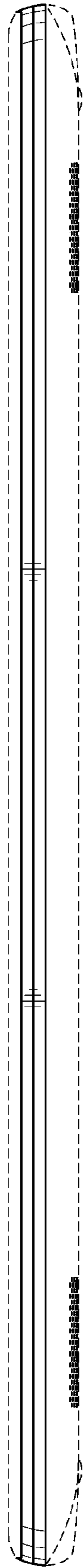


FIG. 2

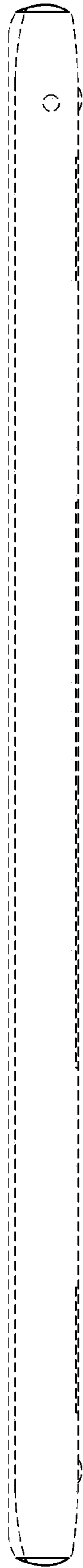


FIG. 3

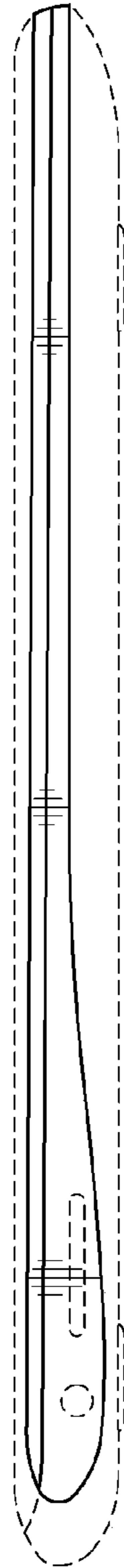


FIG. 4

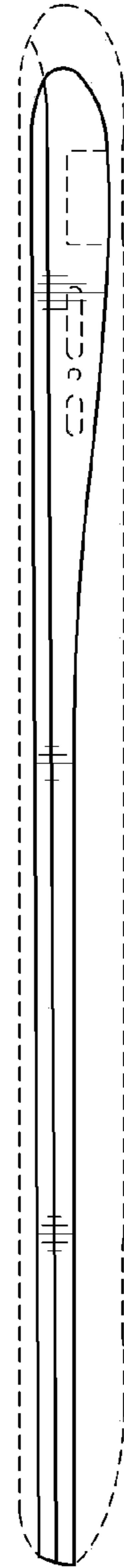


FIG. 5

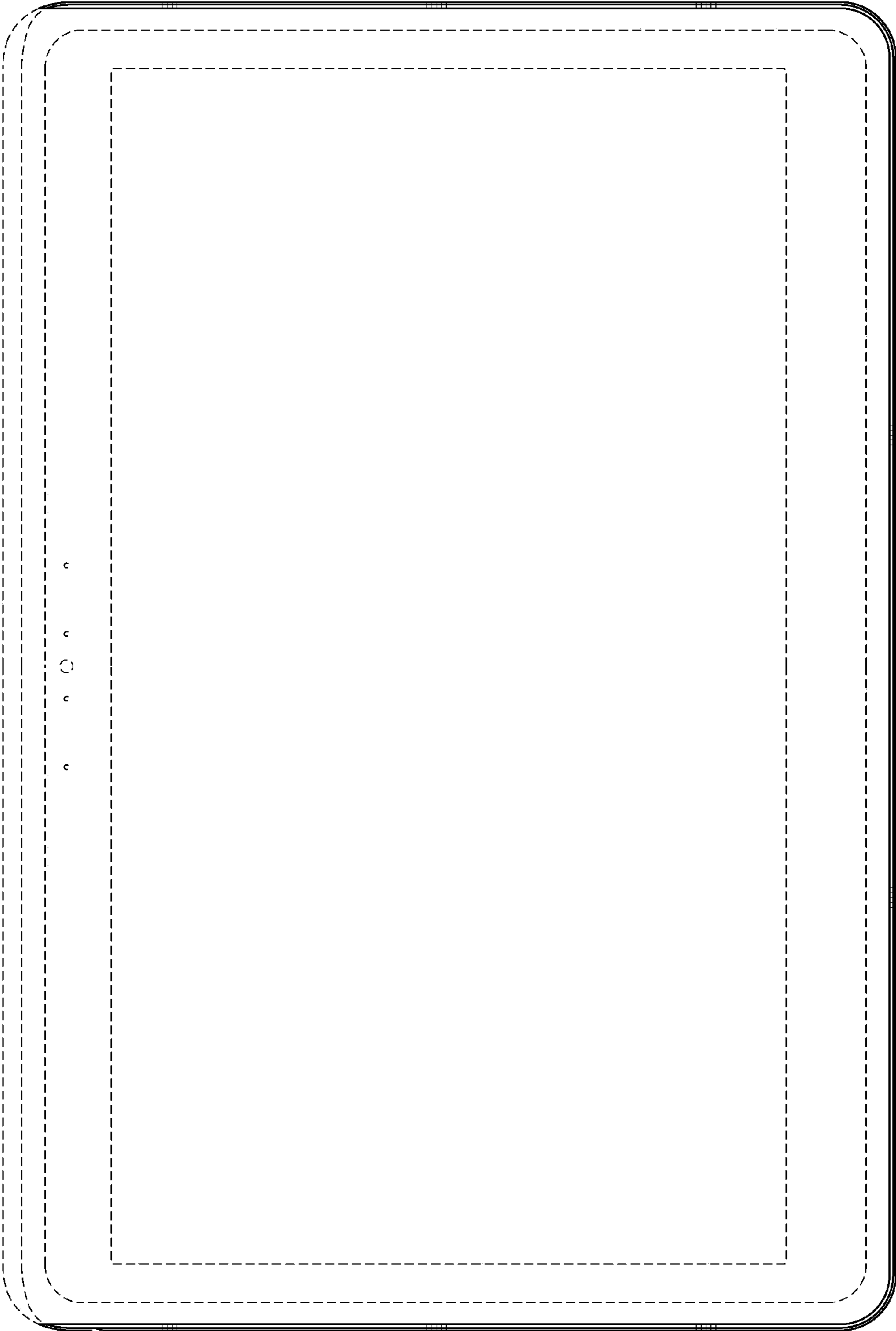


FIG.6

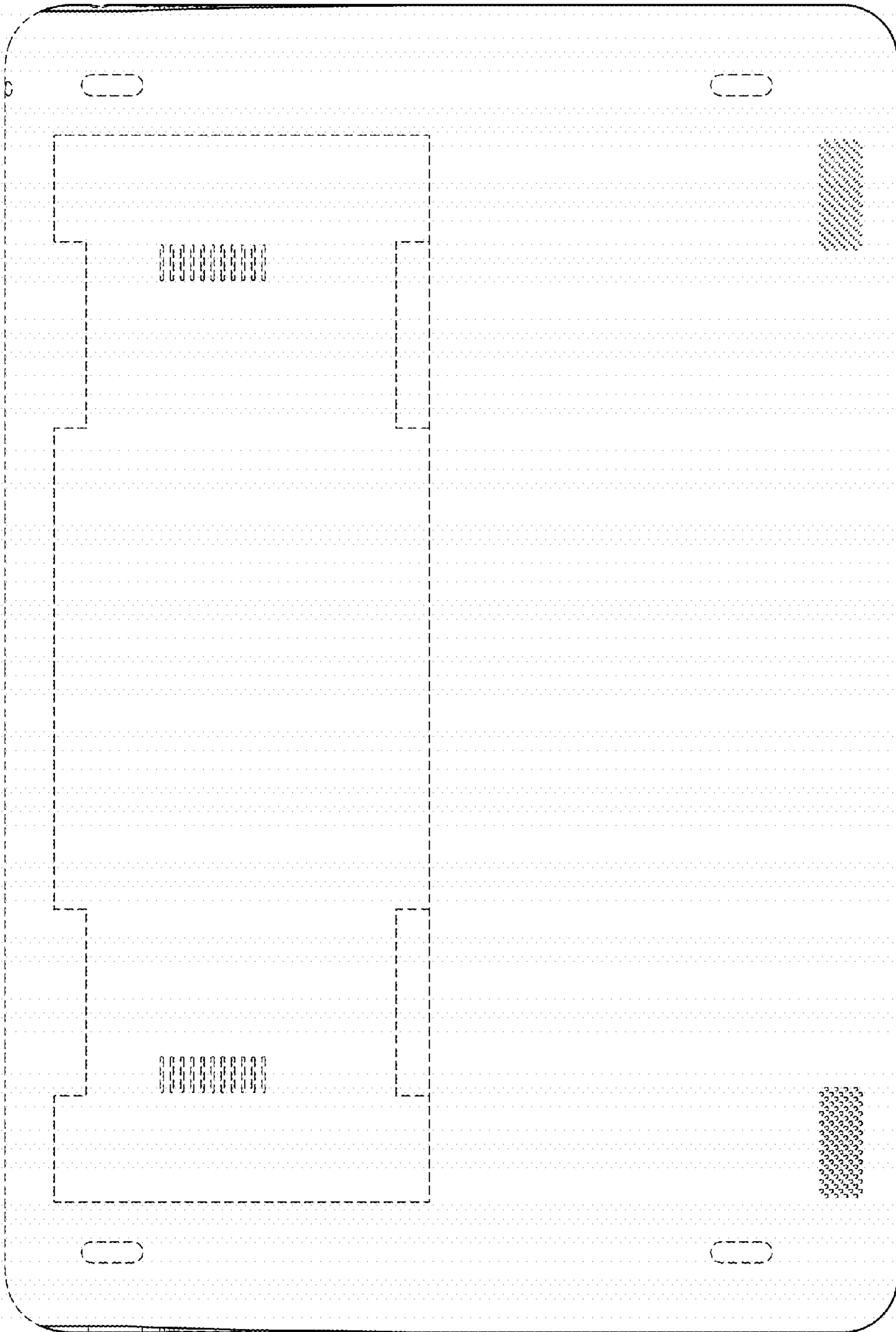


FIG.7