

US00D730345S

(12) **United States Design Patent**  
**Lee**

(10) **Patent No.:** **US D730,345 S**  
(45) **Date of Patent:** **\*\* May 26, 2015**

(54) **NOTEBOOK COMPUTER**

(71) Applicant: **Samsung Electronics Co., Ltd.**,  
Suwon-si, Gyeonggi-do (KR)

(72) Inventor: **Jung Hun Lee**, Yongin-si (KR)

(73) Assignee: **SAMSUNG ELECTRONICS CO., LTD.** (KR)

(\*\*) Term: **14 Years**

(21) Appl. No.: **29/476,544**

(22) Filed: **Dec. 13, 2013**

(30) **Foreign Application Priority Data**

Jun. 14, 2013 (KR) ..... 30-2013-0030779

(51) **LOC (10) Cl.** ..... **14-02**

(52) **U.S. Cl.**  
USPC ..... **D14/315**

(58) **Field of Classification Search**  
USPC ..... 594/315-327; D18/1, 2, 7, 11;  
235/145 A, 145 R; 341/22, 23; 345/104,  
345/156, 168, 169, 173; 361/679.08,  
361/679.09, 679.11, 679.26, 679.27

See application file for complete search history.

(56) **References Cited**

U.S. PATENT DOCUMENTS

D676,042 S \* 2/2013 McManigal et al. .... D14/318  
D679,705 S \* 4/2013 McManigal et al. .... D14/318  
D683,344 S \* 5/2013 Kao et al. .... D14/318  
2005/0041378 A1\* 2/2005 Hamada et al. .... 361/680

\* cited by examiner

*Primary Examiner* — Freda S Nunn

(74) *Attorney, Agent, or Firm* — Cantor Colburn LLP

(57) **CLAIM**

The ornamental design for a notebook computer, as shown and described.

**DESCRIPTION**

FIG. 1 is the front perspective view of a notebook computer showing my new design;  
FIG. 2 is the front view thereof;  
FIG. 3 is the rear view thereof;  
FIG. 4 is the left-side view thereof;  
FIG. 5 is the right-side view thereof;  
FIG. 6 is the top-side plan view thereof;  
FIG. 7 is the bottom-side plan view thereof; and,  
FIG. 8 is the front perspective view thereof in use environment.

The broken lines are for environmental purposes only and form no part of the claimed design.

The surface treatment of the notebook computer shown in the figures forms no part of the claimed design, a notebook computer according to the claimed design may have any surface treatment.

**1 Claim, 8 Drawing Sheets**

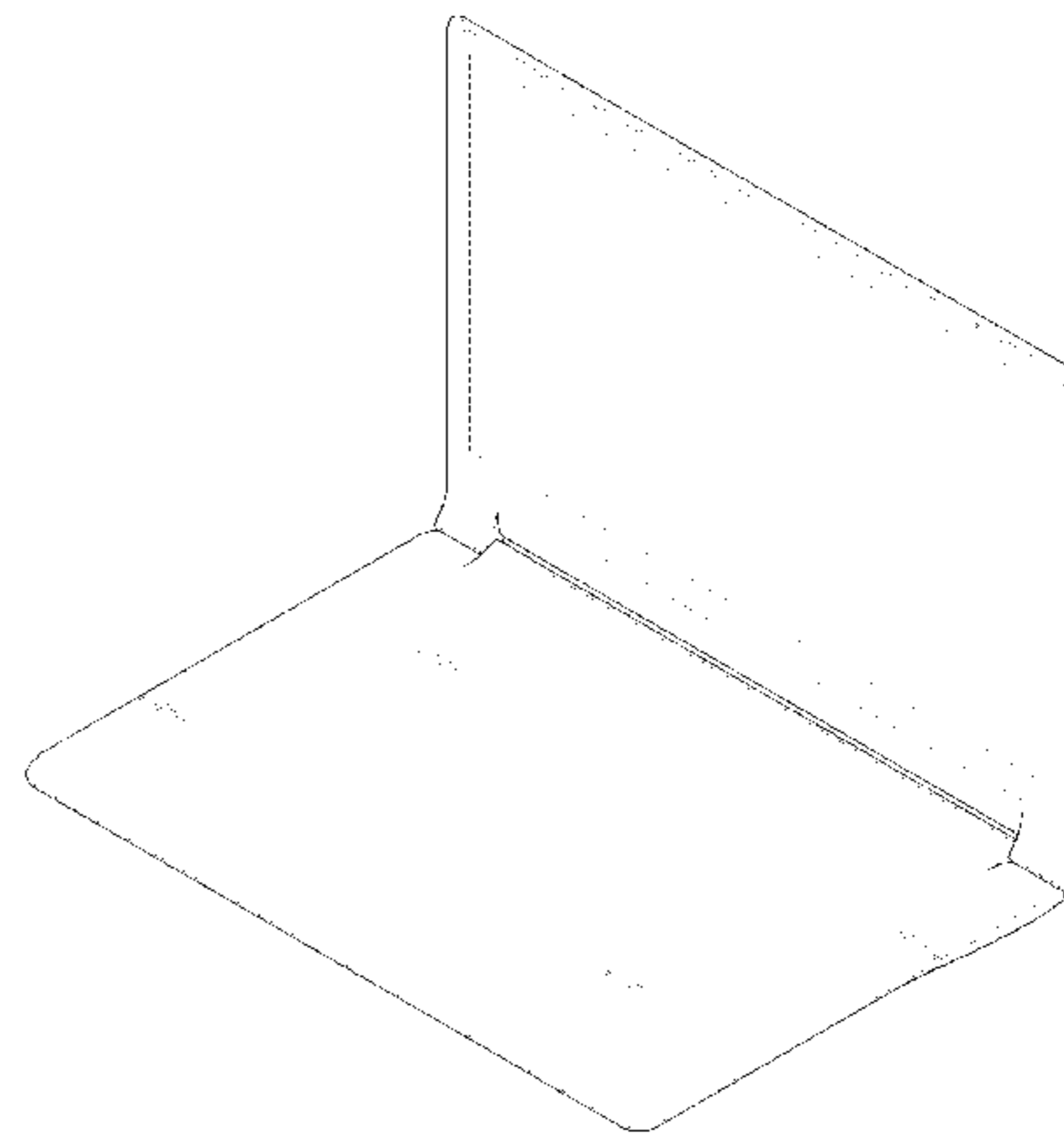
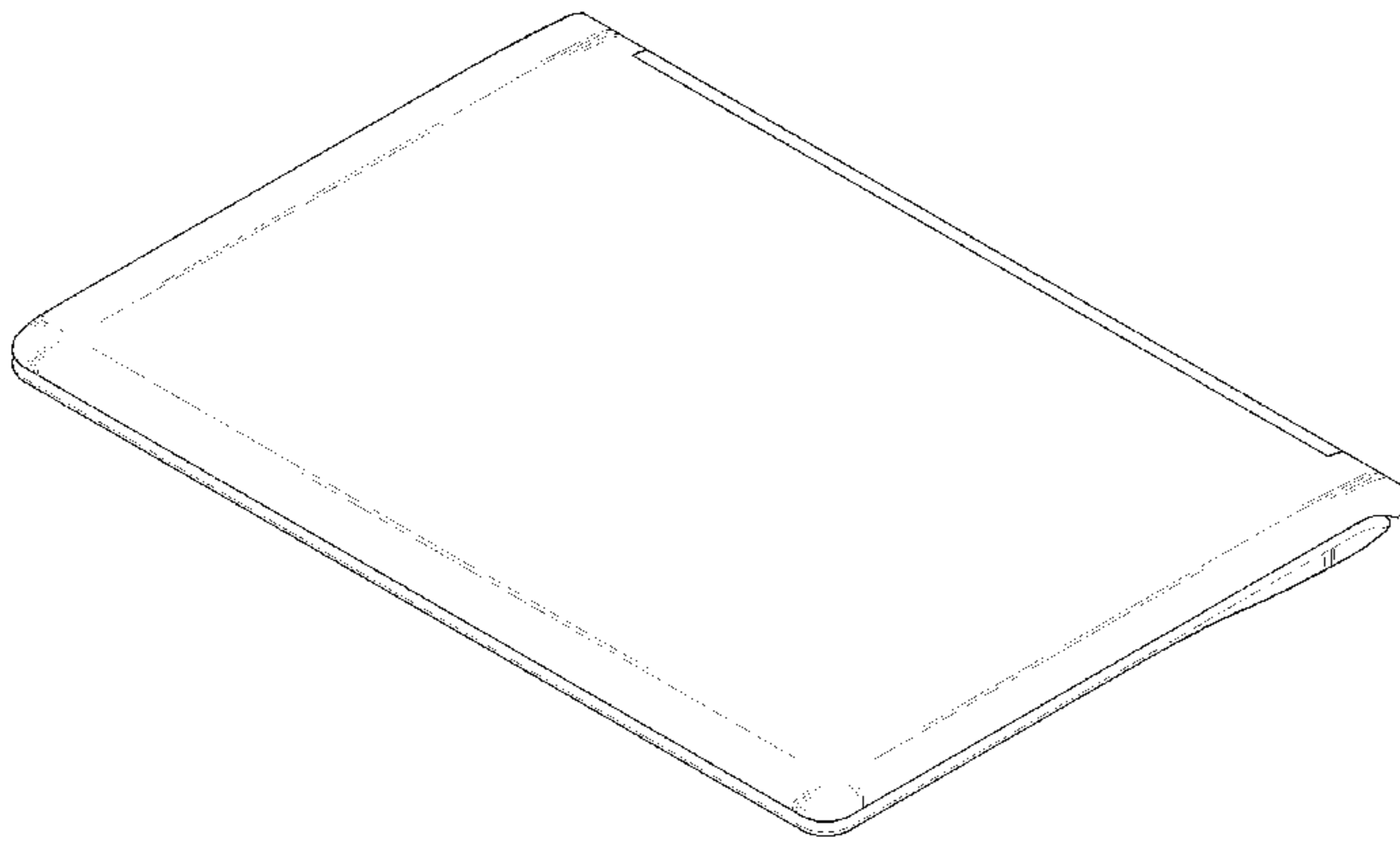


Fig. 1

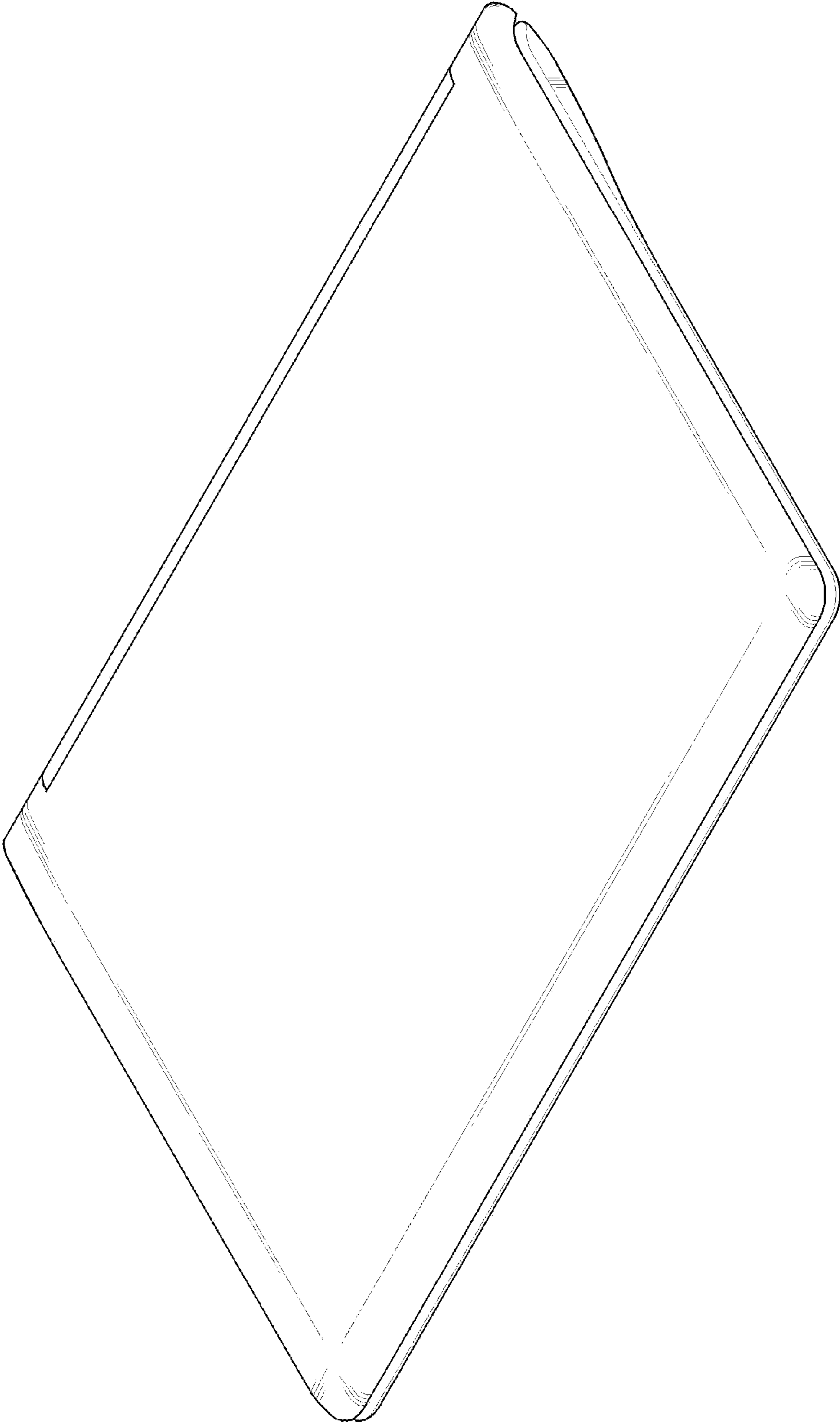


Fig. 2

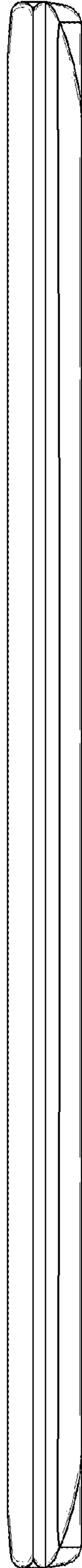
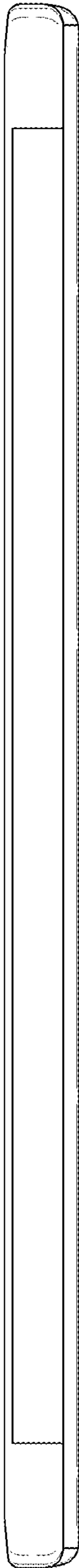


Fig. 3



**Fig. 4**

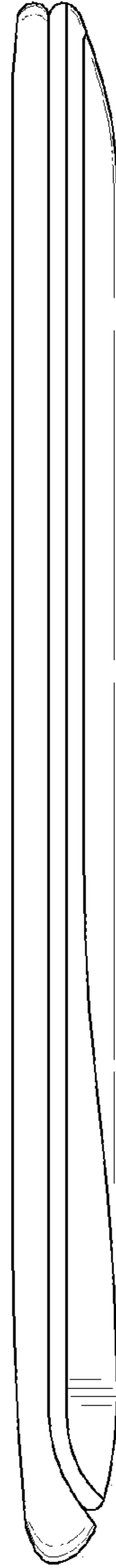


Fig. 5

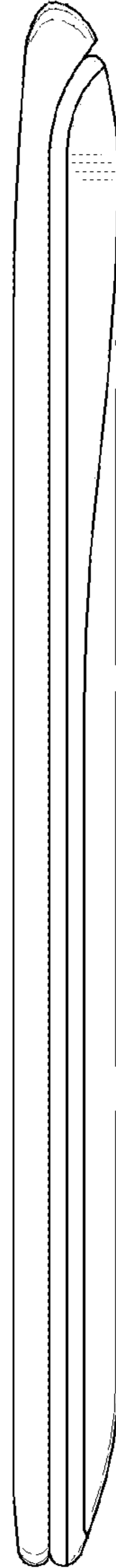


Fig. 6

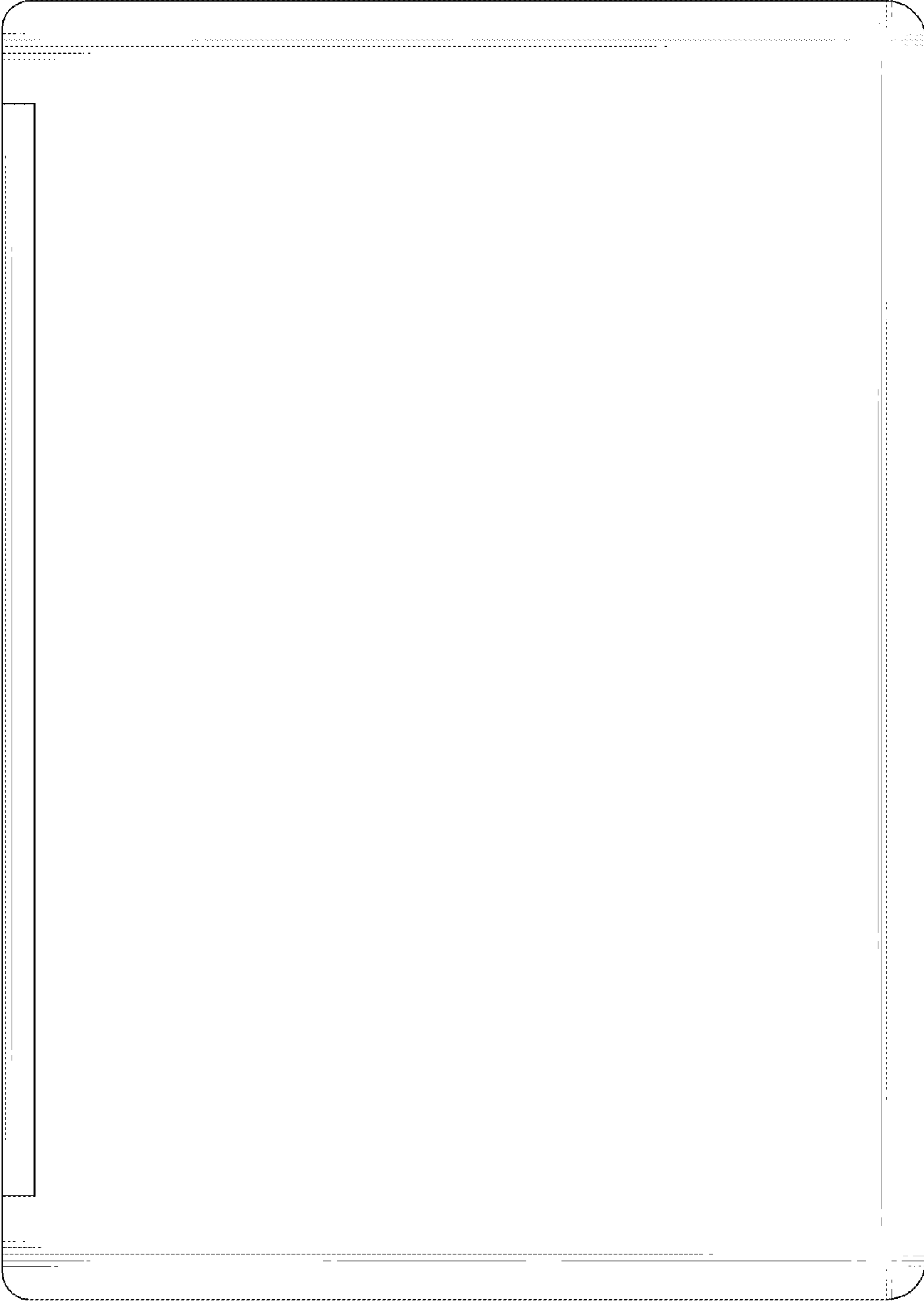


Fig. 7

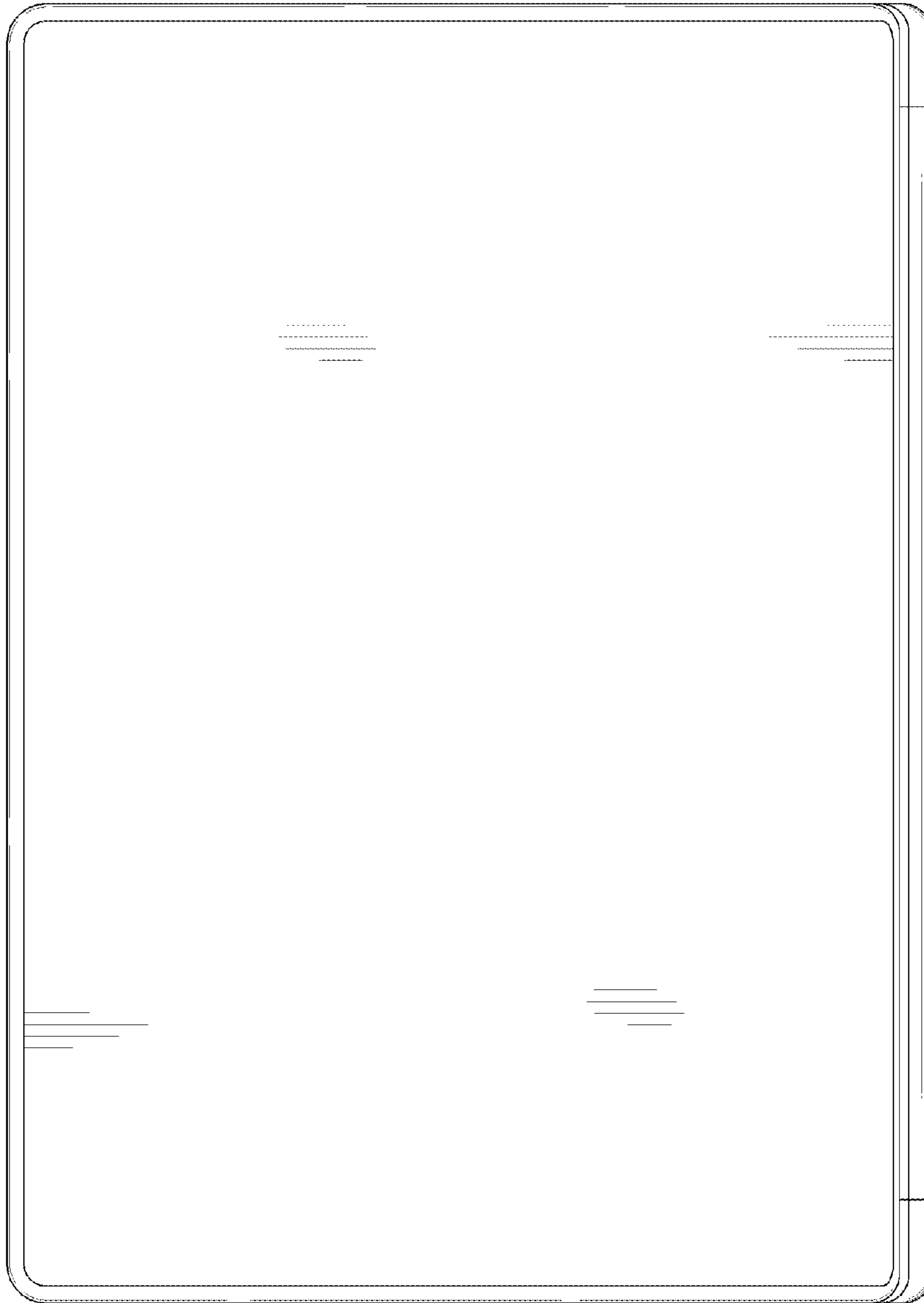




Fig. 8

