



US00D730343S

(12) **United States Design Patent**  
**Hemesath et al.**

(10) **Patent No.:** **US D730,343 S**  
(45) **Date of Patent:** **\*\* May 26, 2015**

(54) **CASE**

(71) Applicant: **Incipio Technologies, Inc.**, Irvine, CA (US)

(72) Inventors: **Timothy A. Hemesath**, Clovis, CA (US); **Andy Fathollahi**, Corona Del Mar, CA (US)

(73) Assignee: **Incipio Technologies, Inc.**, Irvine, CA (US)

(\*\*) Term: **14 Years**

(21) Appl. No.: **29/492,065**

(22) Filed: **May 28, 2014**

**Related U.S. Application Data**

(63) Continuation of application No. 29/432,914, filed on Sep. 21, 2012, now Pat. No. Des. 709,058.

(51) **LOC (10) Cl.** ..... **14-03**

(52) **U.S. Cl.**  
USPC ..... **D14/250**

(58) **Field of Classification Search**  
USPC ..... D14/138 AD, 138 C, 138 G, 203.7, 230, D14/238.1, 240, 247, 248, 250, 253, 341, D14/345, 346, 439, 440, 447; D13/103, D13/107, 119; D3/201, 218, 228, 269, 273, D3/303; 206/320; 220/662; 361/679.27, 361/679.56, 737, 753; 224/666; 455/456.1, 455/572, 557, 575.1, 575.4, 575.8; 320/115; D21/564, 565, 590  
See application file for complete search history.

(56) **References Cited**

**U.S. PATENT DOCUMENTS**

D320,992 S 10/1991 Jondelius  
D327,646 S \* 7/1992 Hardigg et al. .... D9/425  
D349,646 S \* 8/1994 Dickinson ..... D3/302

5,437,068 A 8/1995 Fisher  
5,755,367 A 5/1998 Yamada  
6,456,487 B1 9/2002 Hetterick  
6,646,864 B2 11/2003 Richardson  
D499,546 S 12/2004 Smithers  
6,995,976 B2 2/2006 Richardson  
7,158,376 B2 1/2007 Richardson et al.  
7,180,735 B2 2/2007 Thomas et al.  
7,230,823 B2 6/2007 Richardson et al.  
D549,452 S 8/2007 Janky et al.  
7,312,984 B2 12/2007 Richardson et al.  
D593,319 S 6/2009 Richardson et al.  
D593,746 S 6/2009 Richardson et al.

(Continued)

**OTHER PUBLICATIONS**

iLounge, Incipio Atlas ID for iPhone 5s, by Nick Guy, Published Dec. 4, 2013, <<http://www.ilounge.com/index.php/reviews/entry/incipio-atlas-id-for-iphone-5s/>>, Retrieved from internet Jan. 2, 2014.

(Continued)

*Primary Examiner* — Sheryl Lane

*Assistant Examiner* — Chelsea Sealey

(74) *Attorney, Agent, or Firm* — Manatt, Phelps & Phillips, LLP

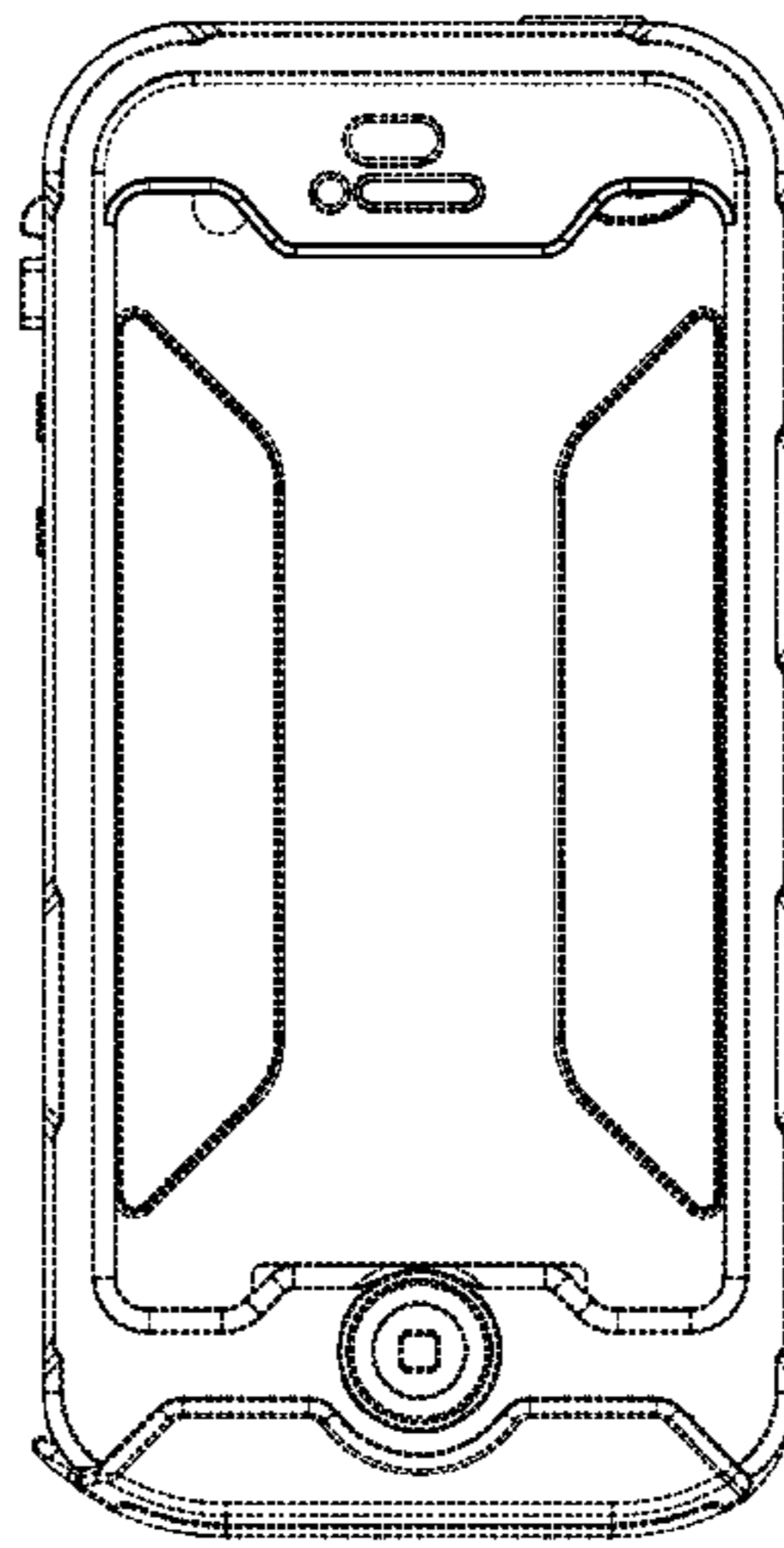
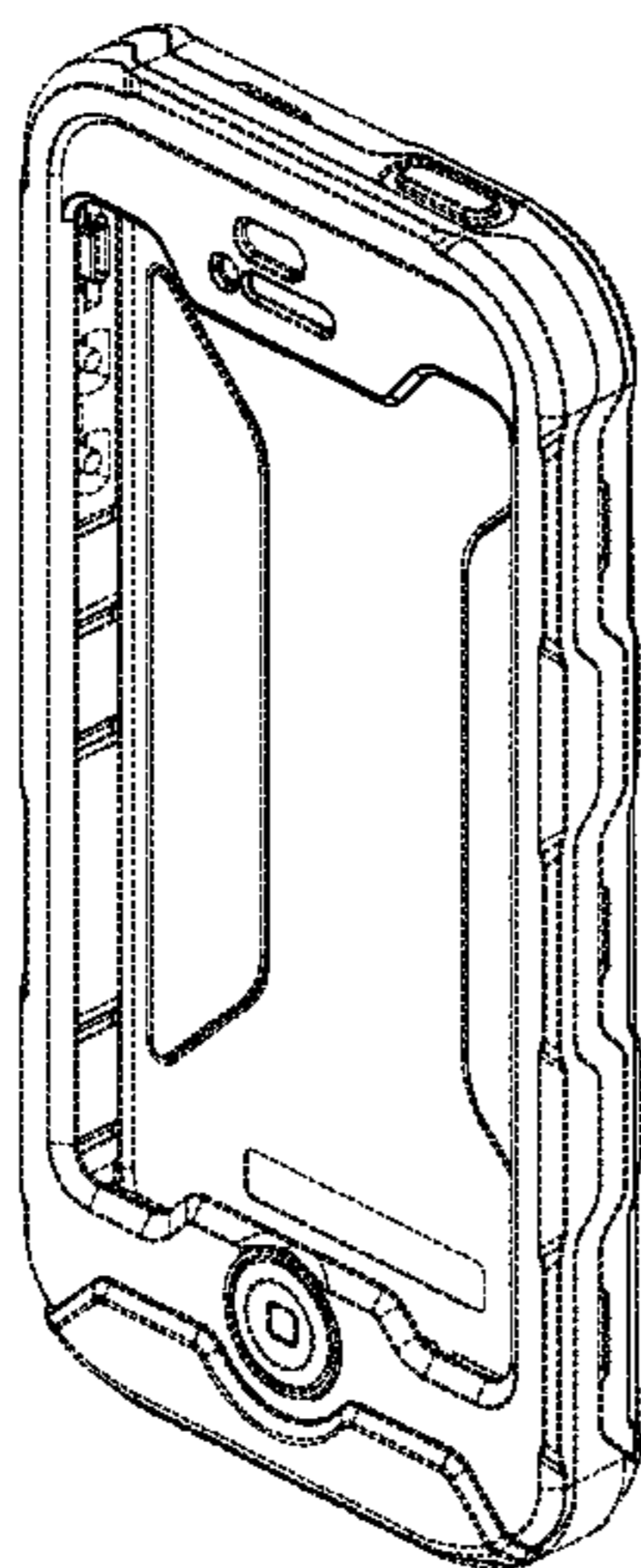
(57) **CLAIM**

The ornamental design for a case, as shown and described.

**DESCRIPTION**

FIG. 1 is a front perspective view of a case.  
FIG. 2 is a rear perspective view thereof.  
FIG. 3 is a front view thereof.  
FIG. 4 is a rear view thereof.  
FIG. 5 is a left side view thereof.  
FIG. 6 is a right side view thereof.  
FIG. 7 is a top end view thereof; and,  
FIG. 8 is a bottom end view thereof.  
The broken lines indicate portions of the case that form no part of the claimed design.

**1 Claim, 6 Drawing Sheets**



(56)

References Cited

U.S. PATENT DOCUMENTS

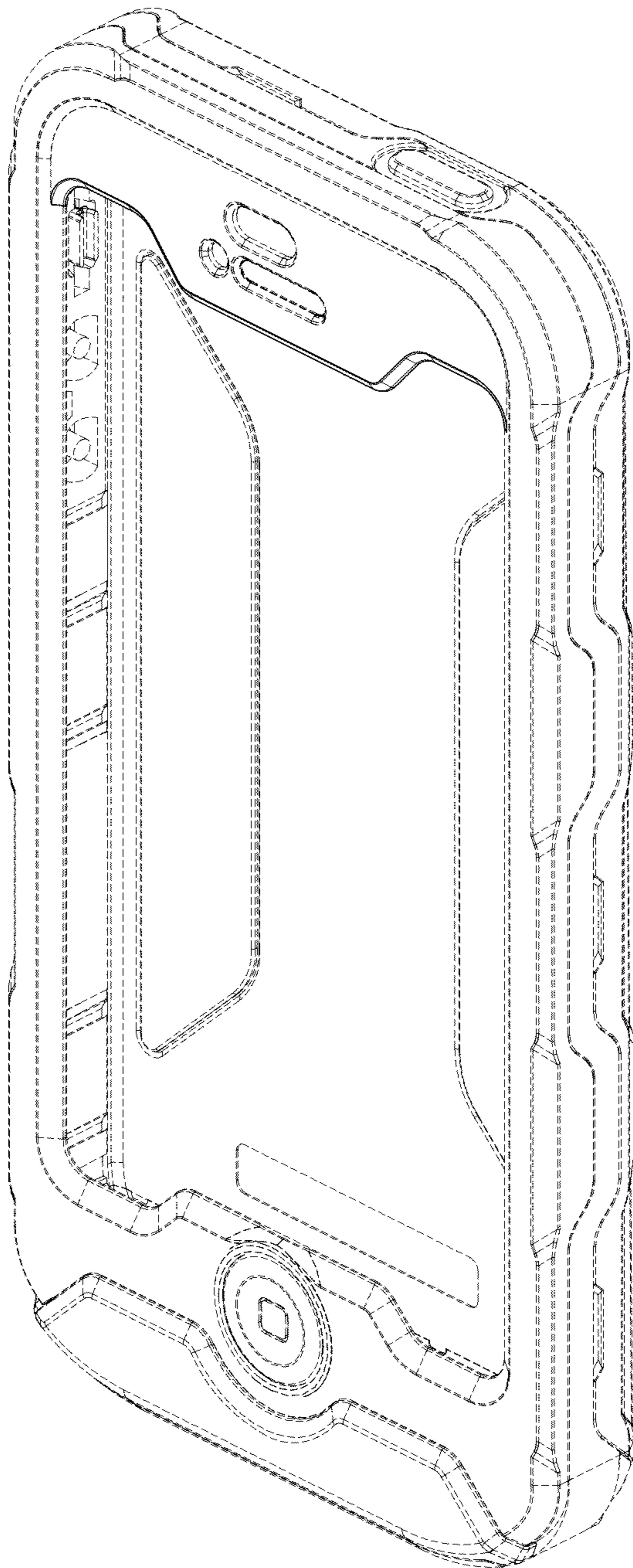
D597,301 S 8/2009 Richardson et al.  
 D600,908 S 9/2009 Richardson et al.  
 7,609,512 B2 10/2009 Richardson et al.  
 D605,850 S 12/2009 Richardson et al.  
 D616,361 S 5/2010 Huang  
 D620,931 S 8/2010 Opman  
 D621,395 S \* 8/2010 Richardson et al. .... D14/250  
 D622,692 S 8/2010 McWilliam et al.  
 D628,994 S 12/2010 Griffin et al.  
 D632,686 S 2/2011 Magness et al.  
 D635,555 S 4/2011 Giles  
 D637,592 S 5/2011 Magness et al.  
 D638,828 S 5/2011 Melanson et al.  
 D638,829 S 5/2011 Melanson et al.  
 D640,679 S 6/2011 Willes et al.  
 D643,836 S 8/2011 Smith et al.  
 D644,217 S 8/2011 Richardson et al.  
 D645,441 S 9/2011 Choe et al.  
 D646,673 S 10/2011 Fathollahi  
 D647,519 S 10/2011 Rothbaum et al.  
 D648,301 S 11/2011 Zuffo et al.  
 D651,204 S \* 12/2011 Wibby et al. .... D14/250  
 D663,263 S 7/2012 Gupta et al.  
 D665,735 S 8/2012 Kang et al.  
 D665,762 S 8/2012 Fujimura et al.  
 D665,809 S 8/2012 Wang et al.  
 D668,246 S 10/2012 Fathollahi  
 D673,545 S 1/2013 Magness et al.  
 D674,790 S 1/2013 Melanson et al.  
 D681,026 S \* 4/2013 Weller et al. .... D14/250  
 D681,613 S 5/2013 Magness et al.  
 D681,623 S 5/2013 Chang et al.

D682,815 S 5/2013 Chang  
 D683,338 S \* 5/2013 Wilson et al. .... D14/250  
 D684,568 S 6/2013 Fitzgerald et al.  
 D693,350 S 11/2013 Mish et al.  
 D695,297 S 12/2013 Sun et al.  
 D695,744 S 12/2013 Weller et al.  
 D709,058 S \* 7/2014 Hemesath et al. .... D14/250  
 D709,059 S \* 7/2014 Kim et al. .... D14/250  
 D709,063 S \* 7/2014 Chang et al. .... D14/250  
 D710,345 S \* 8/2014 Chang ..... D14/250  
 D710,839 S \* 8/2014 Chang ..... D14/250  
 D720,738 S \* 1/2015 Rodriguez et al. .... D14/250  
 2003/0151890 A1 8/2003 Huang et al.  
 2004/0112776 A1 6/2004 Lord  
 2006/0231713 A1 10/2006 Crain et al.  
 2010/0008028 A1 1/2010 Richardson et al.  
 2010/0096284 A1 4/2010 Bau  
 2010/0147737 A1 6/2010 Richardson et al.  
 2010/0240427 A1 9/2010 Lee  
 2011/0036876 A1 2/2011 Fathollahi  
 2013/0334069 A1 12/2013 Fathollahi

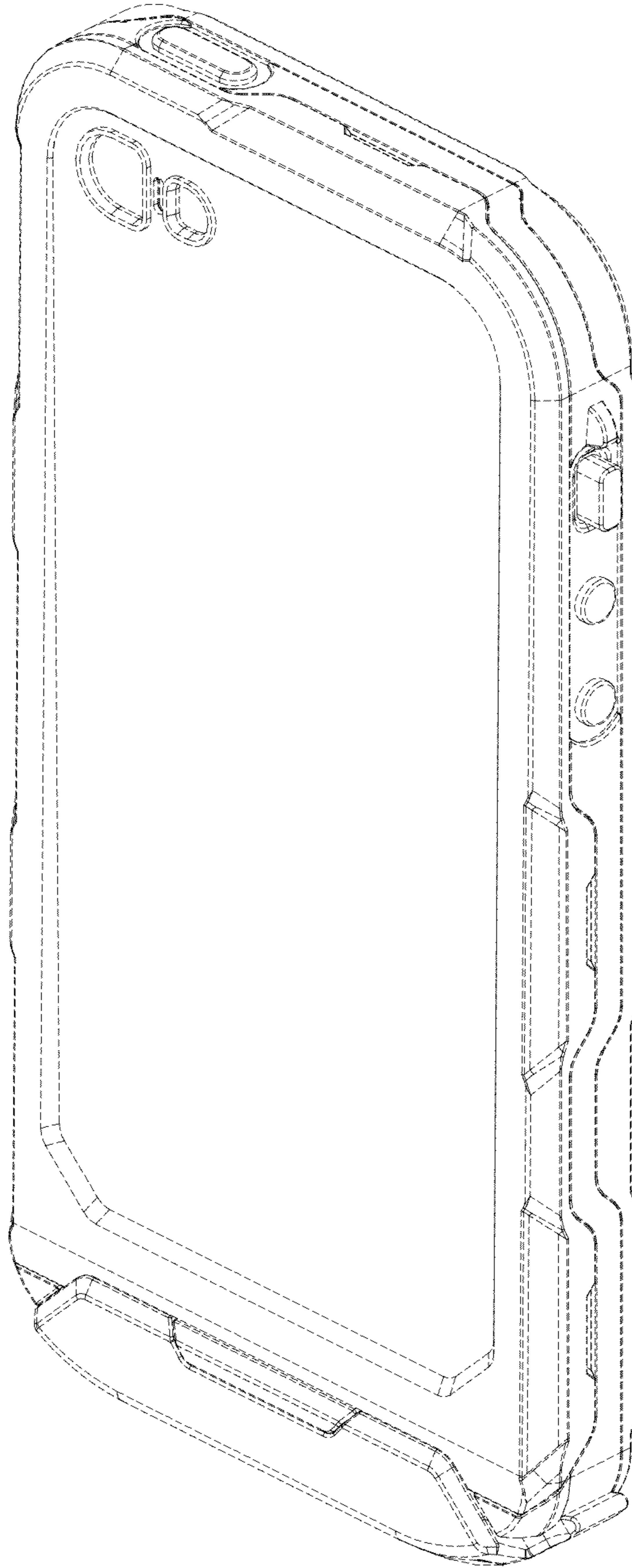
OTHER PUBLICATIONS

iPhone Life Magazine, Adventure-Proof your iPhone with the Slim, Waterproof Incipio Atlas, by Siva Om, Published May 29, 2013, Incipio Atlas ID for iPhone 5s, by Nick Guy, Published Dec. 4, 2013, <<http://www.iphone.life.com/blog/28861/adventure-proof-your-iphone-guaranteed-waterproof-protection-incipios-atlas>>, Retrieved from internet Jan. 2, 2014.  
 Lets Go Digital, Belkin case for iPhone 5 series, by Mark Peters, Published Nov. 25, 2013, <<http://www.letsgodigital.org/en/37352/iphone-5-series/>>, Retrieved from internet Jan. 2, 2014.

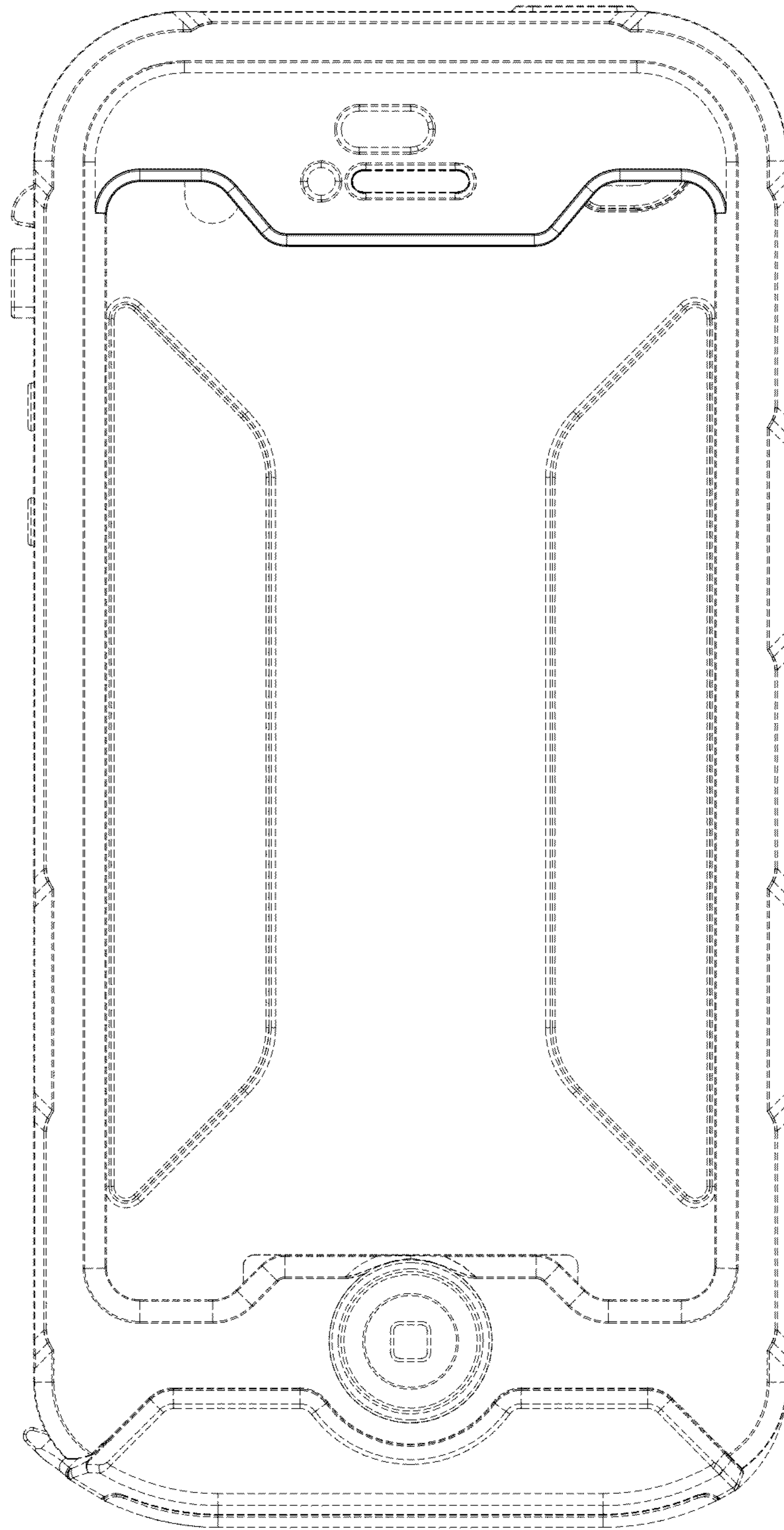
\* cited by examiner



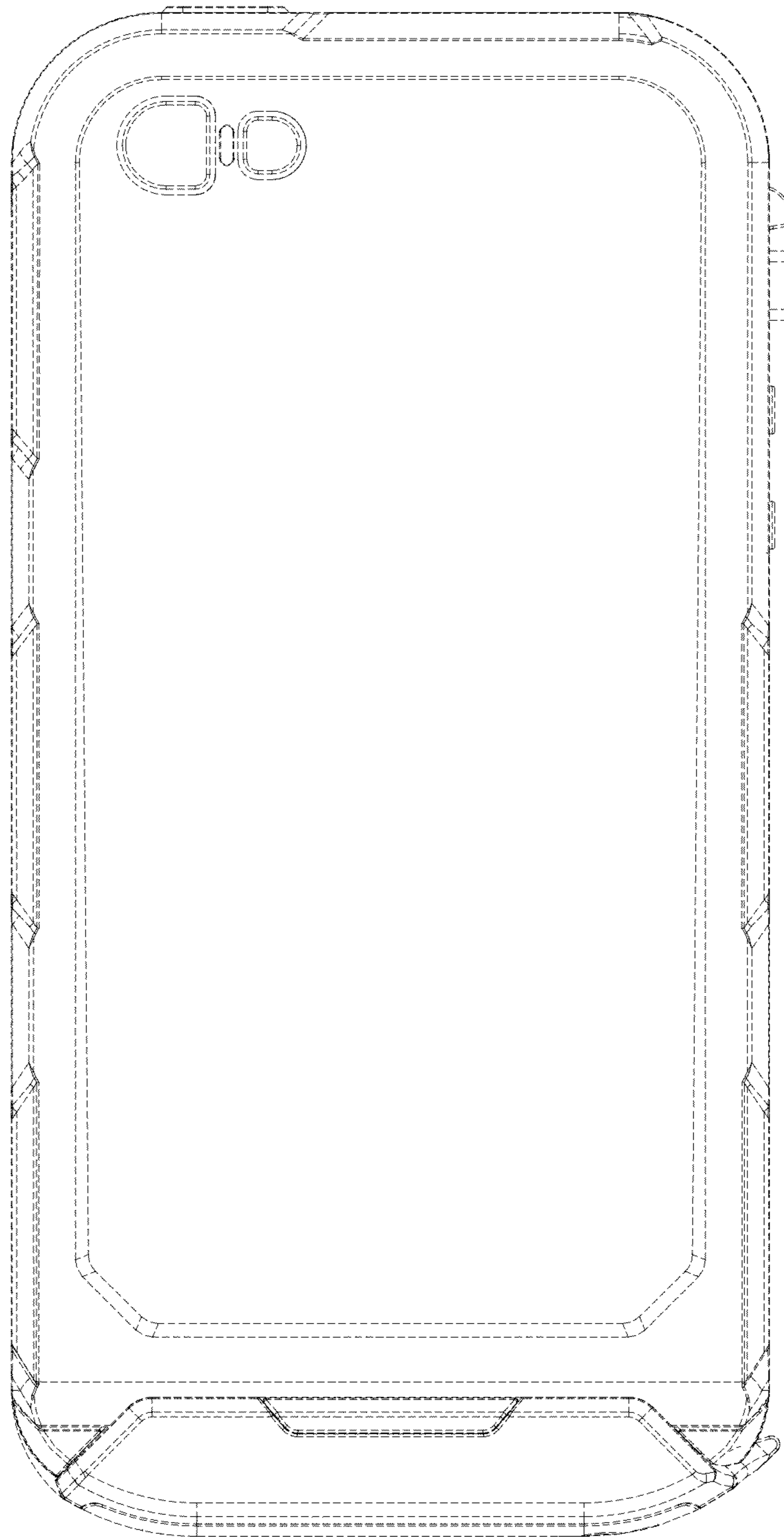
*FIG. 1*



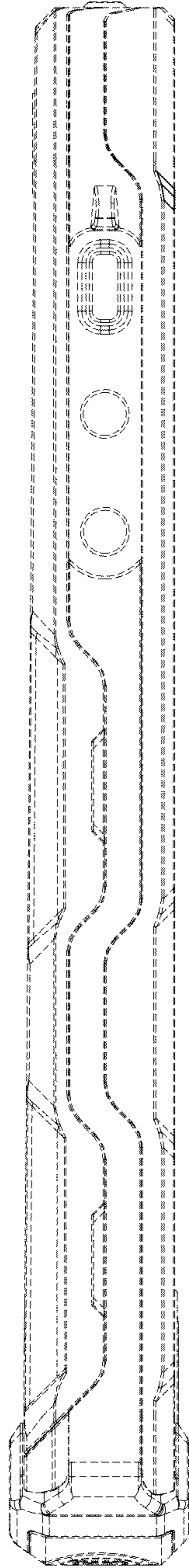
*FIG. 2*



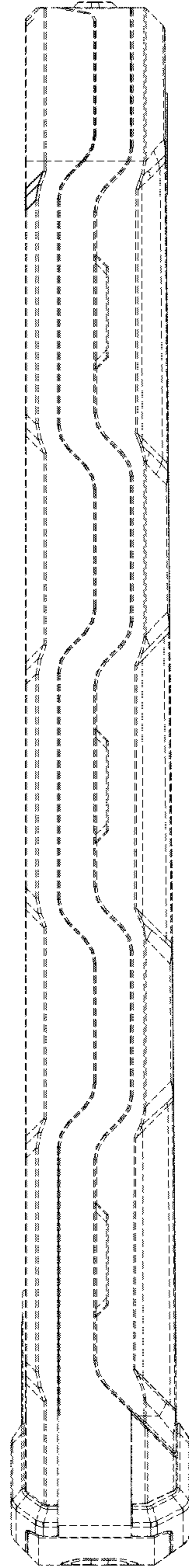
*FIG. 3*



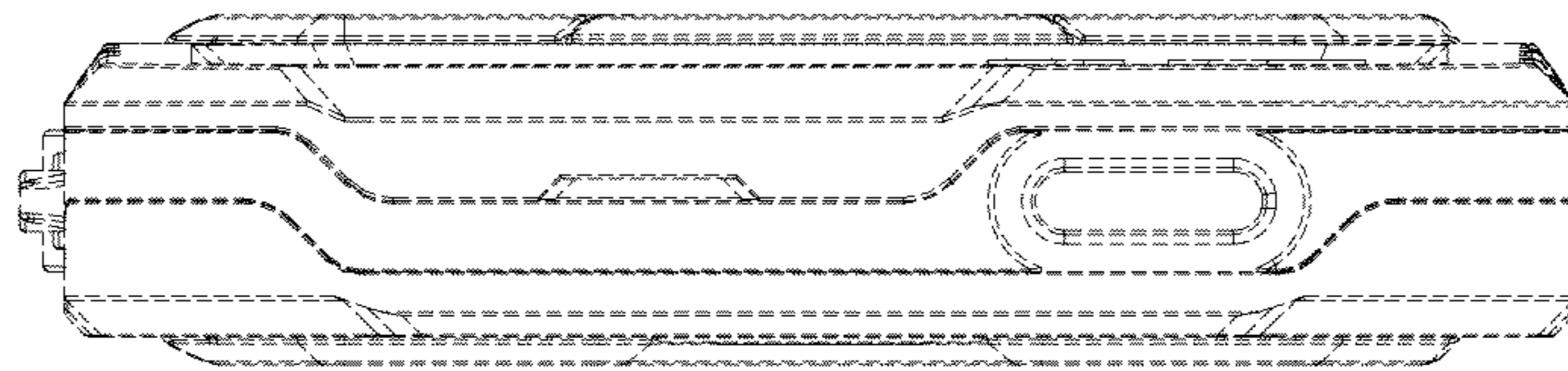
*FIG. 4*



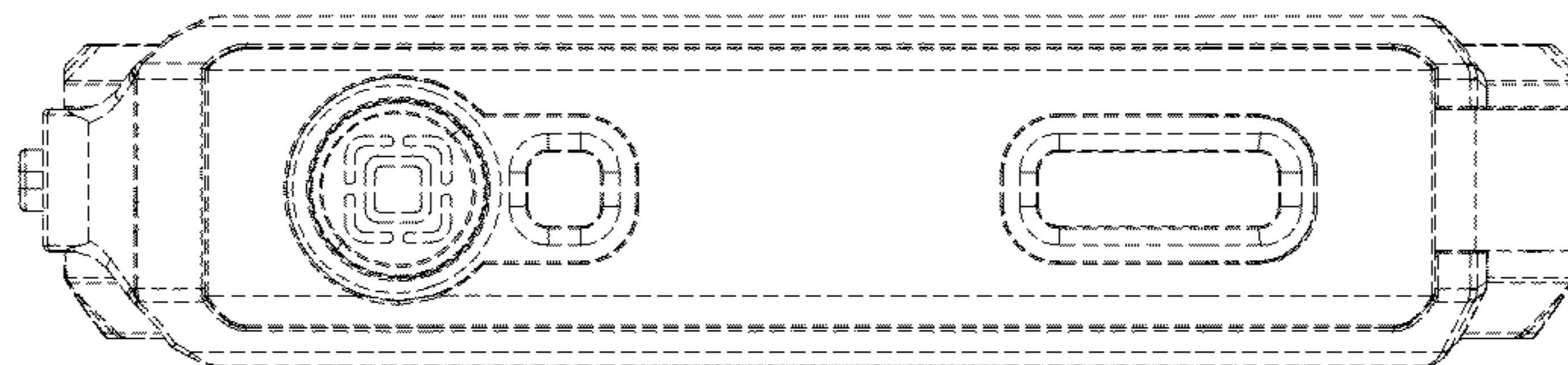
*FIG. 5*



*FIG. 6*



*FIG. 7*



*FIG. 8*