



US00D730340S

(12) **United States Design Patent**  
**Akana et al.**

(10) **Patent No.:** **US D730,340 S**  
(45) **Date of Patent:** **\*\* May 26, 2015**

(54) **CASE FOR ELECTRONIC DEVICE**

248/309.1; 361/679.56; 379/426,  
379/433.11, 455; 455/575.1, 575.8;  
190/100; 206/305, 320; D8/356

(71) Applicant: **Apple Inc.**, Cupertino, CA (US)

See application file for complete search history.

(72) Inventors: **Jody Akana**, San Francisco, CA (US);  
**Bartley K. Andre**, Palo Alto, CA (US);  
**Shota Aoyagi**, San Francisco, CA (US);  
**Jeremy Bataillou**, San Francisco, CA  
(US); **Daniel J. Coster**, San Francisco,  
CA (US); **Daniele De Iuliis**, San  
Francisco, CA (US); **M. Evans Hankey**,  
San Francisco, CA (US); **Julian Hoenig**,  
San Francisco, CA (US); **Richard P.**  
**Howarth**, San Francisco, CA (US);  
**Jonathan P. Ive**, San Francisco, CA  
(US); **Duncan Robert Kerr**, San  
Francisco, CA (US); **Matthew Dean**  
**Rohrbach**, San Francisco, CA (US);  
**Peter Russell-Clarke**, San Francisco,  
CA (US); **Mikael Silvanto**, San  
Francisco, CA (US); **Christopher J.**  
**Stringer**, Woodside, CA (US); **Eugene**  
**Antony Whang**, San Francisco, CA  
(US); **Rico Zörkendörfer**, San  
Francisco, CA (US)

(56) **References Cited**

U.S. PATENT DOCUMENTS

D114,891 S 5/1939 Fogel  
D191,070 S 8/1961 McCreery

(Continued)

FOREIGN PATENT DOCUMENTS

EM 000581210-0001 A1 9/2006  
EM 002085373-0001 A1 8/2012

(Continued)

OTHER PUBLICATIONS

U.S. Appl. No. 29/380,128, filed Nov. 30, 2010.

(Continued)

*Primary Examiner* — Carla Jobe Wright

*Assistant Examiner* — Holly E Thurman

(74) *Attorney, Agent, or Firm* — Sterne, Kessler, Goldstein  
& Fox P.L.L.C.

(73) Assignee: **Apple Inc.**, Cupertino, CA (US)

(\*\*) Term: **14 Years**

(57) **CLAIM**

The ornamental design for a case for electronic device, as  
shown and described.

(21) Appl. No.: **29/466,599**

**DESCRIPTION**

(22) Filed: **Sep. 10, 2013**

(51) **LOC (10) Cl.** ..... **14-03**

(52) **U.S. Cl.**  
USPC ..... **D14/250**

(58) **Field of Classification Search**

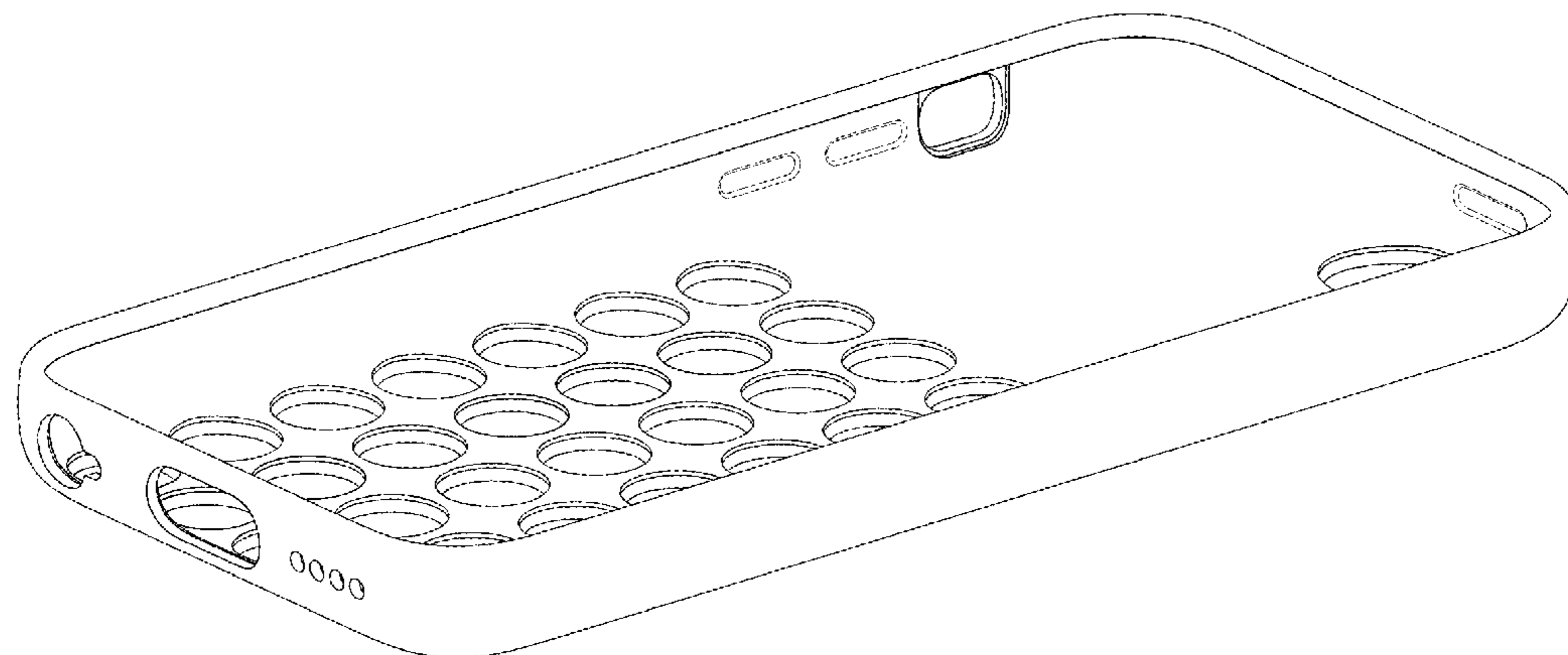
CPC ..... A45C 2011/002; A45C 11/00; A45C  
13/002; A45C 2011/003; H04M 1/0283;  
H04M 1/0202

USPC ..... D14/250–253, 440, 203.3–203.7, 217,  
D14/496, 248, 238.1, 240, 447, 205;  
D3/201, 218, 269, 301, 273, 303, 208;  
D13/103, 107–108; 220/4.02;

FIG. 1 is a bottom front perspective view of a case for elec-  
tronic device showing our new design;  
FIG. 2 is a top rear perspective view thereof;  
FIG. 3 is a front view thereof;  
FIG. 4 is a rear view thereof;  
FIG. 5 is a left side view thereof;  
FIG. 6 is a right side view thereof;  
FIG. 7 is a top view thereof; and,  
FIG. 8 is a bottom view thereof.

The broken line in FIG. 2 depicts an unclaimed feature and  
forms no part of the claimed design.

**1 Claim, 6 Drawing Sheets**



(56)

References Cited

U.S. PATENT DOCUMENTS

D332,664 S \* 1/1993 Sincock ..... D24/227  
 D411,448 S 6/1999 Baker  
 D556,681 S 12/2007 Kim  
 D574,819 S \* 8/2008 Andre et al. .... D3/269  
 D575,056 S 8/2008 Tan  
 7,697,281 B2 4/2010 Dabov et al.  
 D619,361 S 7/2010 Andre et al.  
 D622,716 S 8/2010 Andre et al.  
 D623,180 S 9/2010 Diebel  
 D624,403 S 9/2010 Hansen et al.  
 7,796,381 B2 9/2010 Zuo et al.  
 D624,815 S 10/2010 Hansen et al.  
 D625,524 S 10/2010 Schwartz et al.  
 D641,347 S \* 7/2011 Fathollahi ..... D14/250  
 D644,218 S \* 8/2011 Akana et al. .... D14/341  
 D647,519 S 10/2011 Rothbaum et al.  
 D648,718 S 11/2011 Andre et al.  
 D662,503 S 6/2012 Akana et al.  
 8,250,724 B2 8/2012 Dabov et al.  
 D669,458 S 10/2012 Wilson et al.  
 D671,930 S \* 12/2012 Akana et al. .... D14/250

D675,604 S 2/2013 Limber et al.  
 D677,664 S 3/2013 Akana et al.  
 D681,032 S 4/2013 Akana et al.  
 D682,817 S \* 5/2013 Murchison et al. .... D14/250  
 8,443,971 B1 \* 5/2013 Green et al. .... 206/320  
 D692,878 S \* 11/2013 Akana et al. .... D14/341  
 8,655,422 B2 \* 2/2014 Stiehl et al. .... 455/575.8  
 D719,559 S \* 12/2014 Dukerschein et al. .... D14/250  
 D722,309 S \* 2/2015 Green et al. .... D14/250  
 2007/0259247 A1 \* 11/2007 Kibune et al. .... 429/34  
 2008/0182633 A1 \* 7/2008 Imaizumi et al. .... 455/575.1  
 2010/0146766 A1 6/2010 Dabov et al.

FOREIGN PATENT DOCUMENTS

KR 30-0408147 S 3/2006  
 TW D125373 S 10/2008  
 TW D145513 S1 2/2012

OTHER PUBLICATIONS

U.S. Appl. No. 29/452,631, filed Apr. 18, 2013.  
 U.S. Appl. No. 29/453,041, filed Apr. 24, 2013.

\* cited by examiner

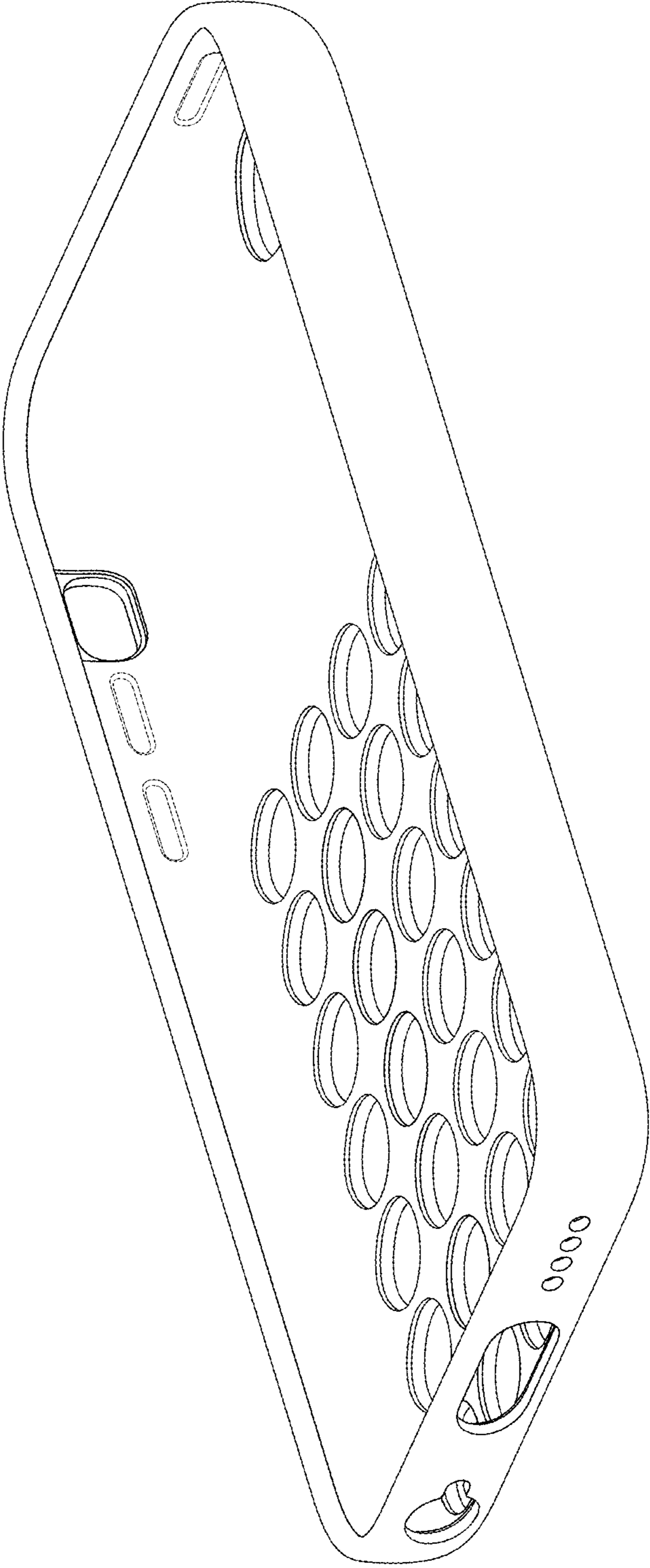


FIG. 1

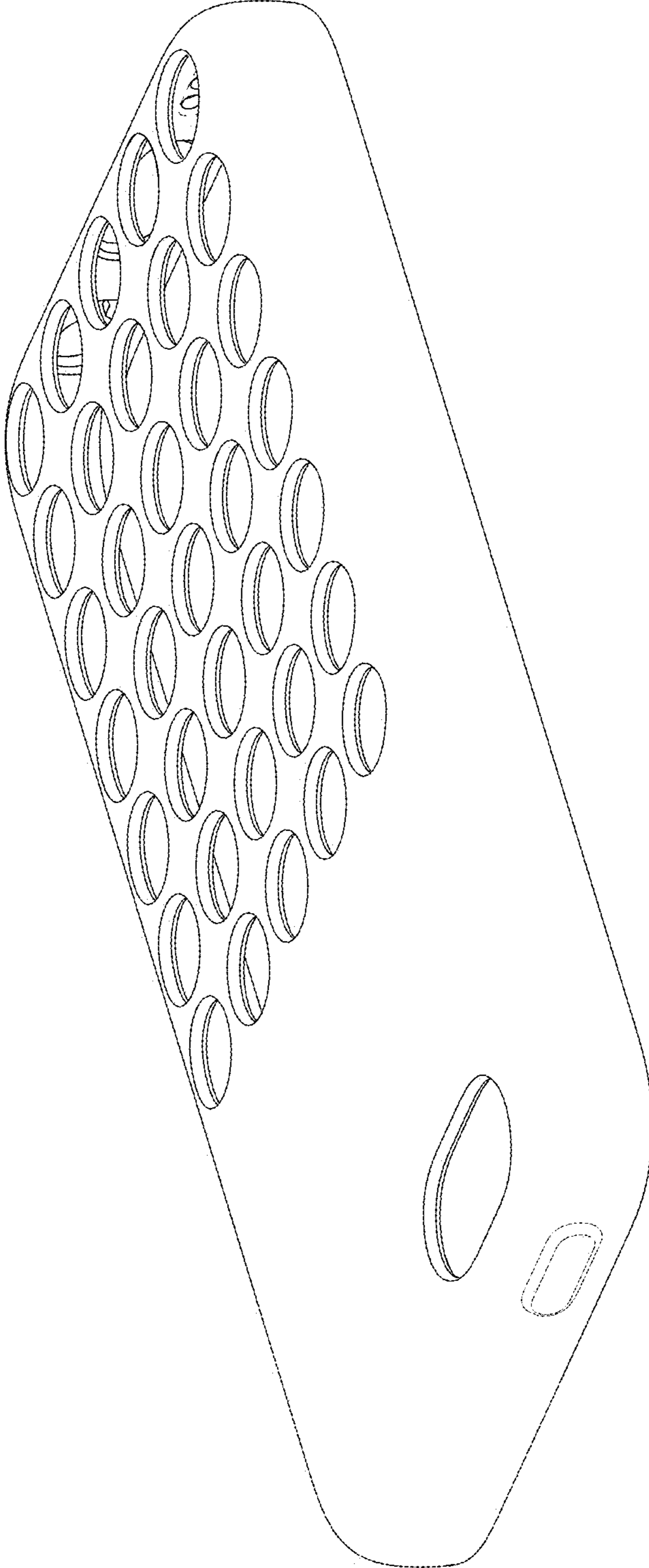
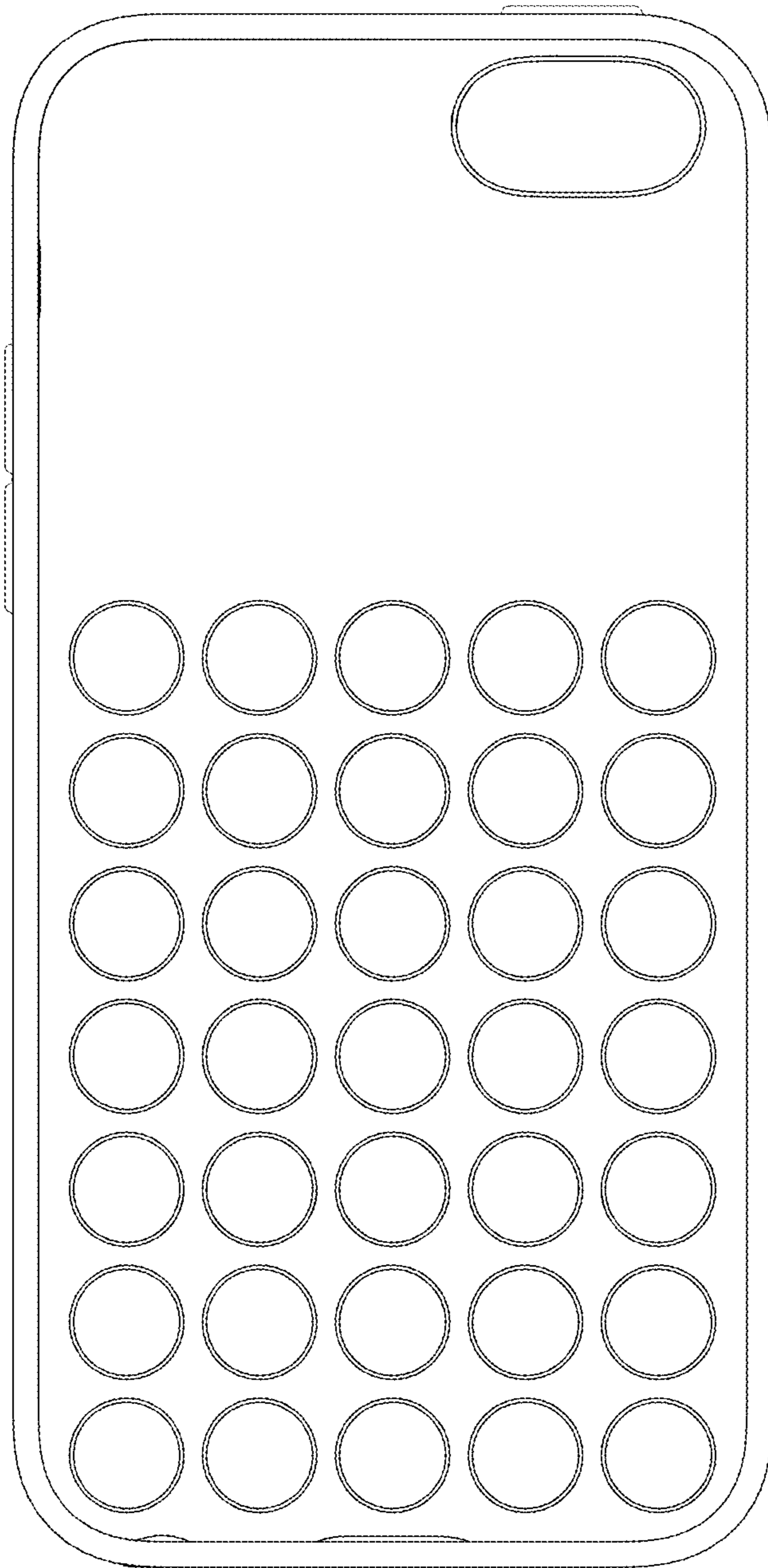
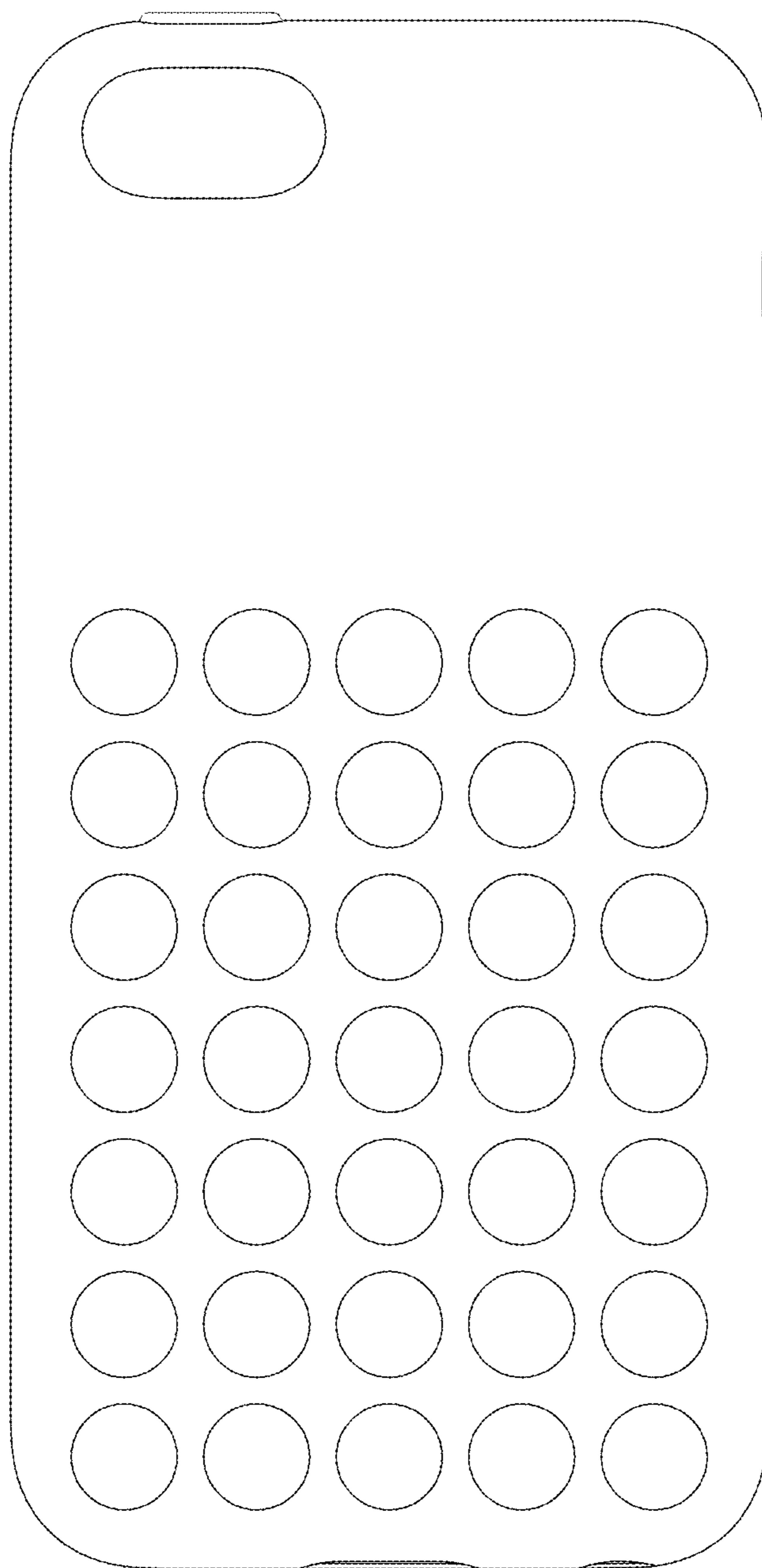


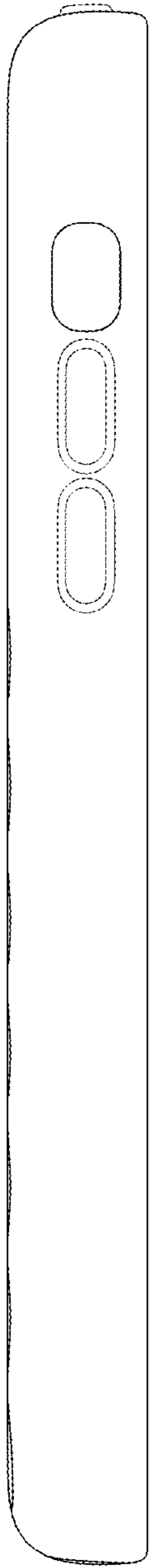
FIG. 2



**FIG. 3**



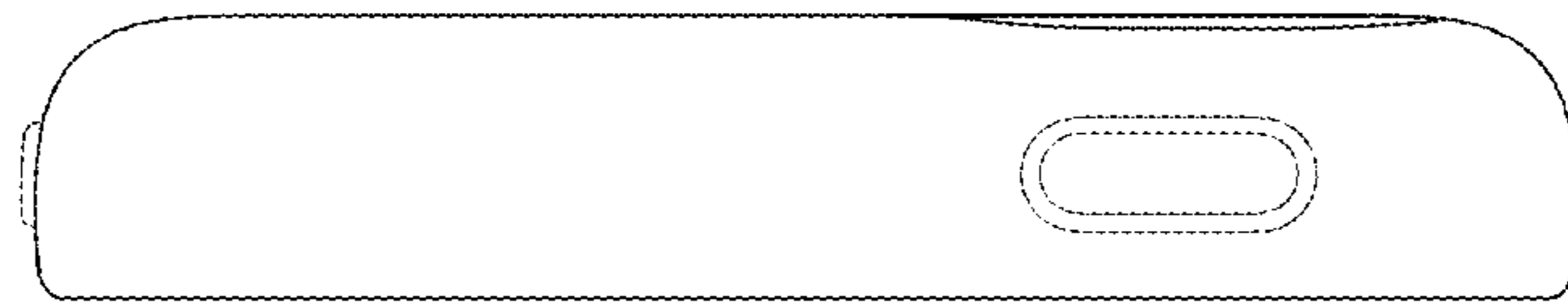
**FIG. 4**



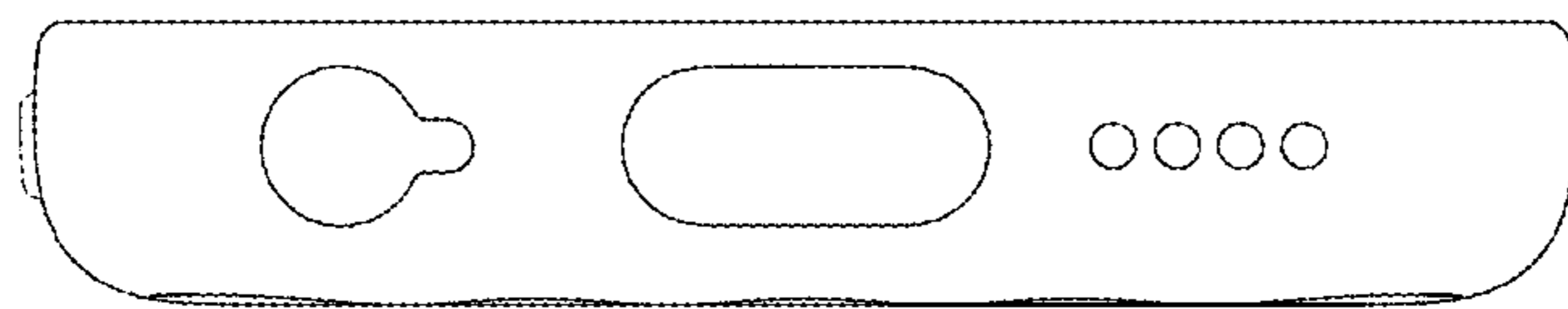
**FIG. 5**



**FIG. 6**



**FIG. 7**



**FIG. 8**